

Installation instructions APRON FOR 6' RECTANGULAR BATHTUB 500A / 101217 / 101294, 500A-A / 101263 95069 / 95070 / 101272

IN CASE OF PROBLEMS

If you have any problems with our product, **DO NOT CALL THE STORE**. Contact one of our customer service representatives at **1-888-304-4388**. Our experts can advise you and will do all they can to resolve your problem diligently. The necessary parts will be sent to you immediately. **There is no warranty on the installation**, but if you have any problems, we will be happy to render assistance.

1. PREPARATION

Note: The installation described in this guide is good for all bathtub models 6 feet (72" / 1.82 metres) in length.

It is essential that the bathtub be perfectly level in order not to interfere with apron installation. Check the level on both axis as illustrated in Fig. 1. If necessary, place shims under the wooden base of the bathtub. For more details, refer to the *installation and user's guide for bathtub 10012137*.

Install the wood pieces under the flange of the bathtub using silicone, as shown in Fig. 1. **ALLOW TO DRY FOR 24 HOURS.**

The finish of the wall that is perpendicular to the apron can be done using two methods. **The first method** consists in making the covering of the wall finish come lower than the edge of the bathtub, then securing 2"x4" framing elements on the covering. Fig. 2A. **The second method** consists in securing the 2"x4" framing elements directly to the uprights, before covering the walls with the finish covering (this covering will end at the bathtub's support frame). Fig. 2B. The finish covering (plaster, tiles, etc.) must not be more than 5/8" (16 mm) in thickness to permit the installation of the apron.

Make sure that the opening is sufficient to permit the insertion of the apron. This opening must be at least 70" (1778 mm) from one wall to the other.

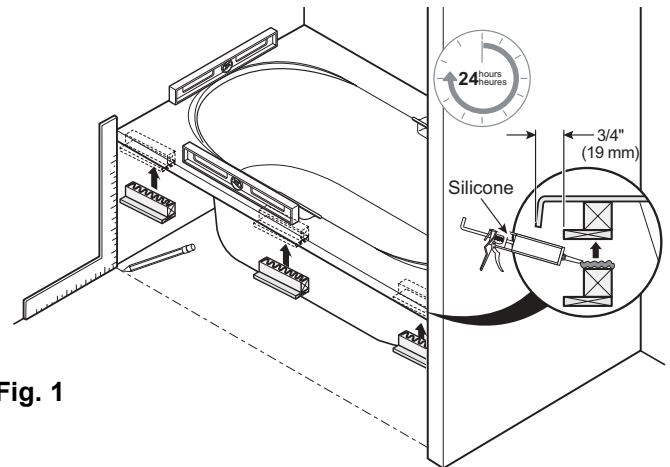


Fig. 1

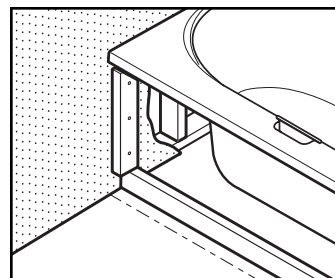


Fig. 2A
1st Method

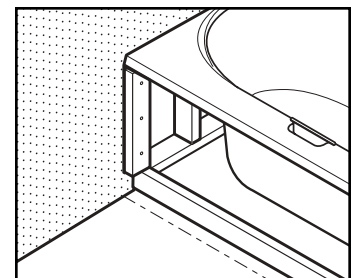


Fig. 2B
2nd Method

2. REFERENCE LINES

Using a level or plumb line, trace, on the floor, a line coinciding exactly with the front edge of the bathtub (Line A). Using a level or square pressed to the edge of the bathtub and against the wall, trace a vertical line on the two walls (Line B).

Trace a line on the wall, parallel to line B, at a distance of 3/4" (19 mm) inside of line B (Line B'). Trace another line on the floor, parallel to line A, at a distance of 2" (51 mm) inside line A (Line A'). Fig. 3.

3. INSTALLING THE RECESSED BASE

Cut a standard 2"x4" (this piece must be exactly 3 1/2" (89 mm) in width) in the dimension of the opening between the two walls. Glue the 3 1/2" wide edge strip to the wood piece using contact glue. If necessary, cut the edge strip so that it is the same width as the 2"x4". Secure a 2"x2"

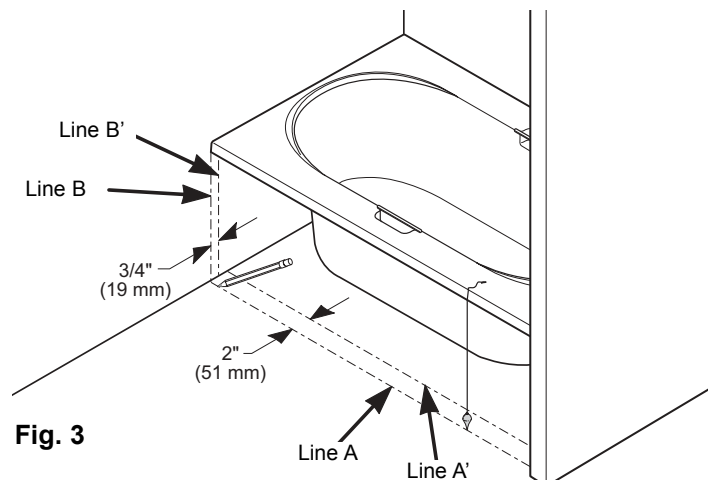


Fig. 3

behind the 2"x4". Place this assembly in position by aligning the edge strip on line A' and secure the assembly to the floor. Fig. 4.

4. ASSEMBLY OF THE FRAME'S WALL ELEMENTS

Measure the vertical distance between the top of the recessed base (step 3) and the bottom of the bathtub's support piece (Dimension *D*). Fig. 5.1 Cut two standard 2"x4" pieces to that length (Dimension *D*). Glue the 1 1/2" (38 mm) edge strips on the narrow sides of the 2"x4". If necessary, cut the edge strip so that it is the same width as the 2"x4" piece. Secure the 2"x4" to the wall, by aligning the front edge of the edge strip with line B' and by making sure that the top of the 2"x4" rests properly on the recessed base. Fig. 5.

5. INSTALLING THE SUPPORT HARDWARE

On top of the 2"x4" of the recessed base, mark the centre of the piece. Using a square, trace a perpendicular line to the 2"x4" at 32 3/8" (822 mm) from the central line. Lay the support hardware on the 2"x4" and by pressing the guide bar against the plastic edge strip and by making sure that the perpendicular lines diametrically cross the securing holes. Drill pilot holes and secure the supporting hardware using #6 x 1" (25.4 mm) screws. **IMPORTANT: This hardware must be installed perfectly square and plumb at the distance given, since they must be aligned perfectly with the pre-drilled holes in the plant on the edge of the apron.** Fig. 6.

6. INSTALLING THE APRON

Install the apron by sliding the upper edge of the apron under the edge of the bathtub and centre the apron between the two walls. Maintain the apron in position and insert the plastic thumb screws through the holes under the lower edge of the apron and in the hardware (Fig. 7.1). Do not over-tighten. Fig. 7.

Description	Part No.	Qty
Hardware bag	10012377	1
3 1/2" x 72" plastic edge strip	-	1
1 1/2" x 32" plastic edge strip	-	2
1/4"-20 plastic thumb screw	10012128	2
Support hardware	10012117	2
#6 x 1" (25.4 mm) screw	10012123	4
Wood piece	10012299	3

*Items included with hardware bag

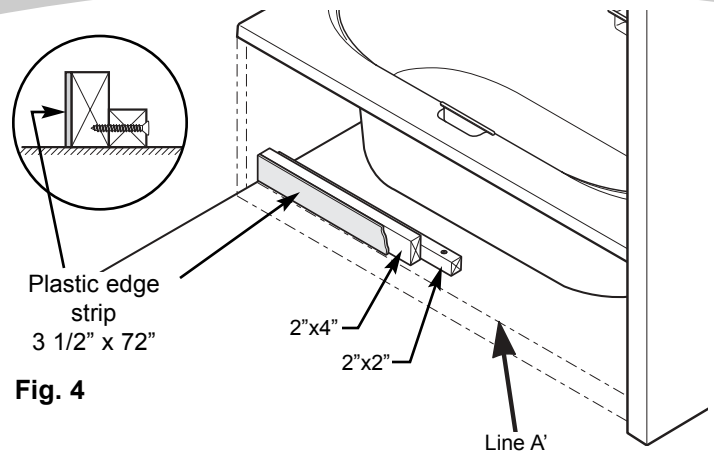


Fig. 4

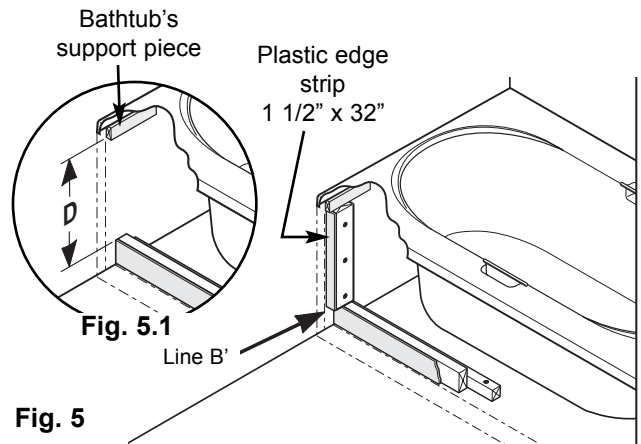


Fig. 5

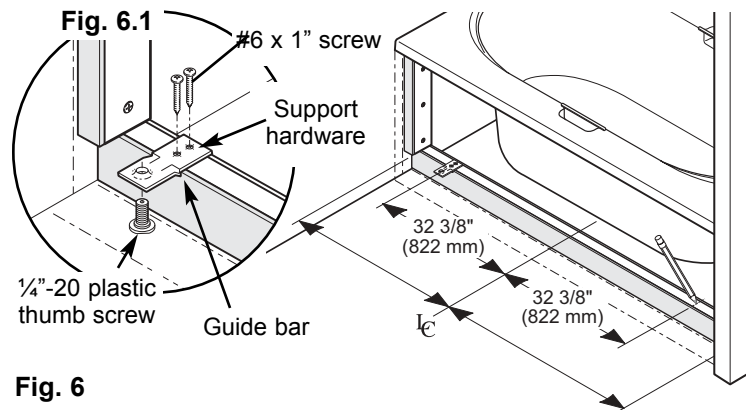


Fig. 6

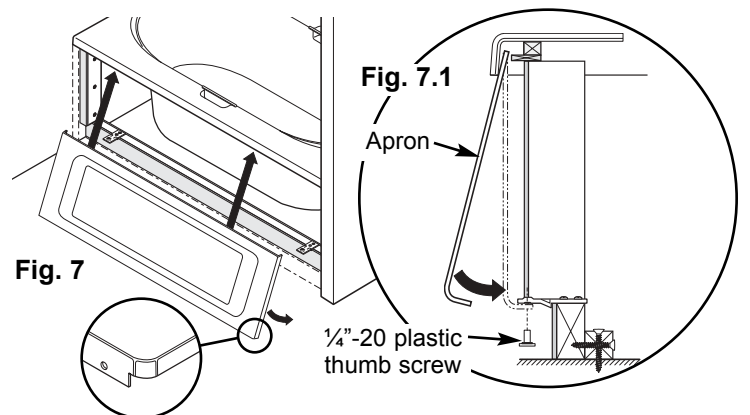


Fig. 7