

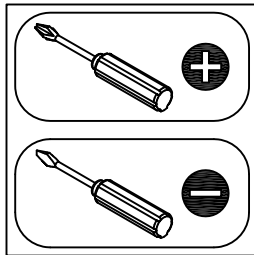
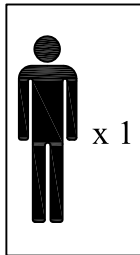
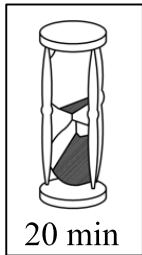
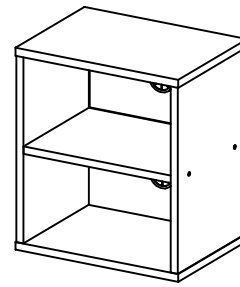


www.furinno.com

NEED HELP? For replacement requests or product inquiries, please contact our Customer Service Team by emailing us at support@furinno.com. Thank you for selecting Furinno!

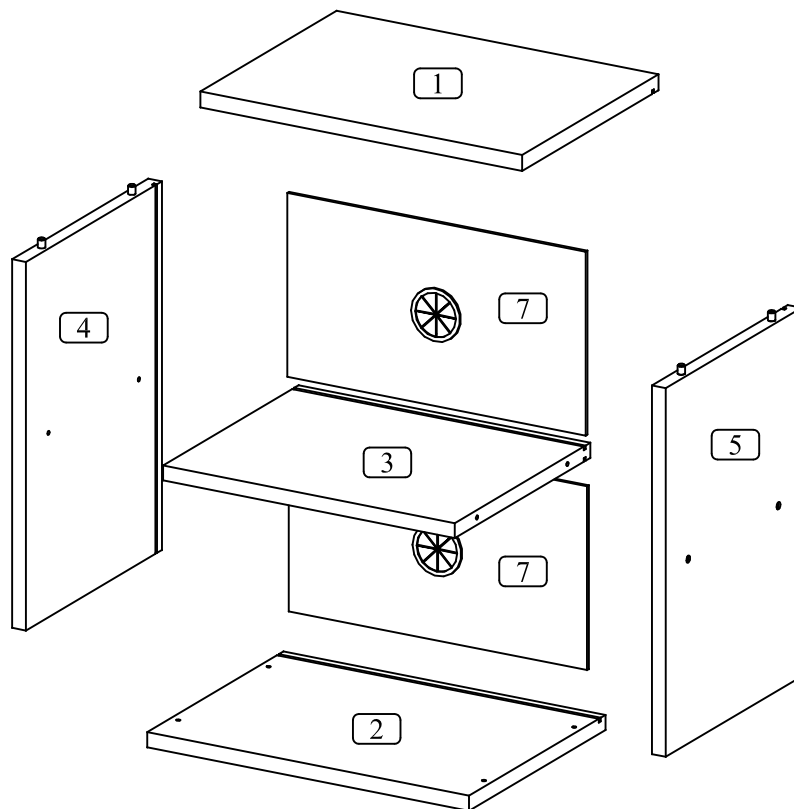
FLS-4030

Furinno Indo 2-Tier Audio Video Display Shelf



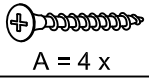
USEFUL HINTS BEFORE YOU START:

1. Read each step carefully before starting.
2. It is important that each step is performed in correct order to avoid difficulties.
3. Identify, sort and count the parts before assembly.
4. Assemble your furniture on packaging cardboard to prevent scratch or damage.
5. Clean the product with mild cleanser using soft damped cloth. Do not use harsh or abrasive cleanser.
6. Using incompatible hardware might cause damage to product.

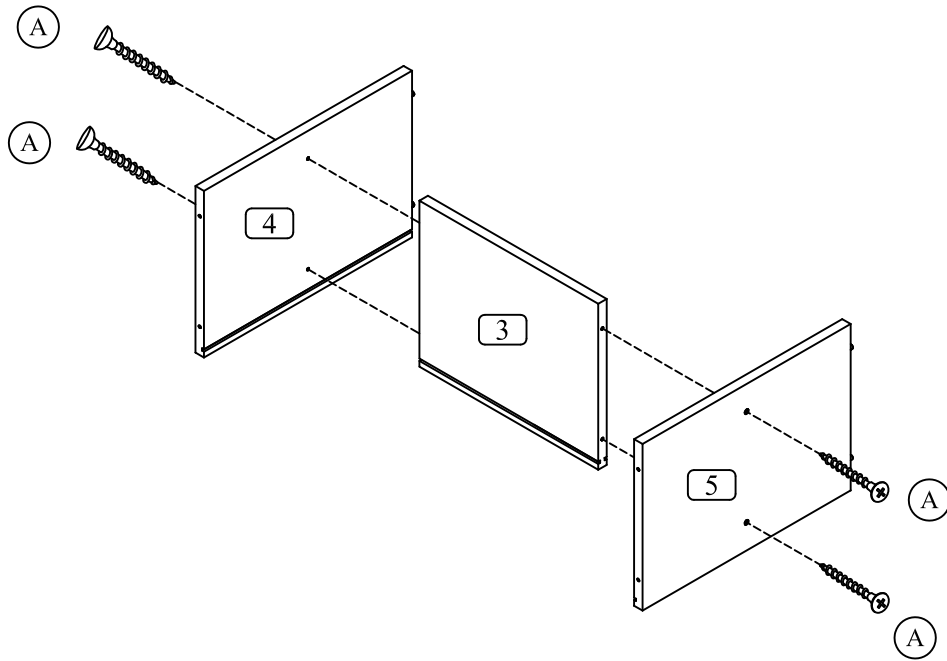


A	8 x	B	4 x	C	4 x	D	4 x	E	2 x	F	1 x
ø8x35 mm		14x10 mm		ø6x16mm		ø14mm		ø60x8.5mm		ø25x105mm	

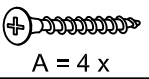
1



A = 4 x



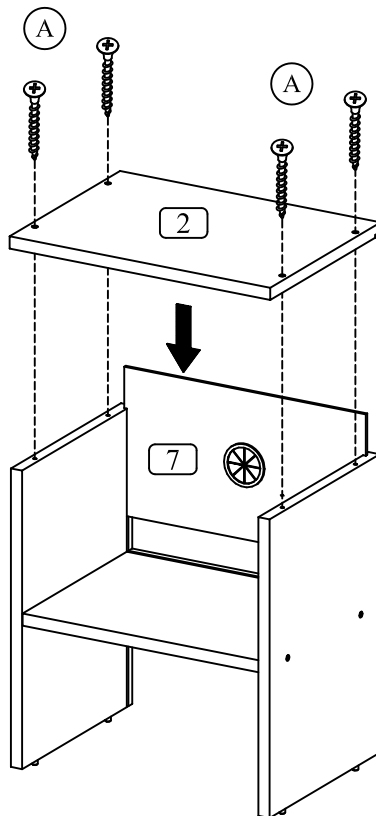
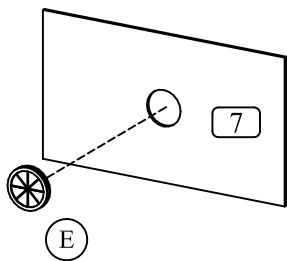
2



A = 4 x



E = 1 x



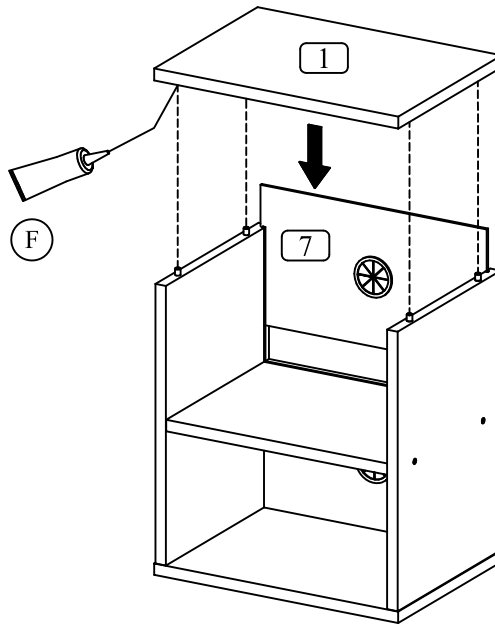
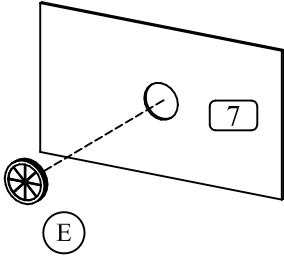
3



E = 1 x



F = 1 x



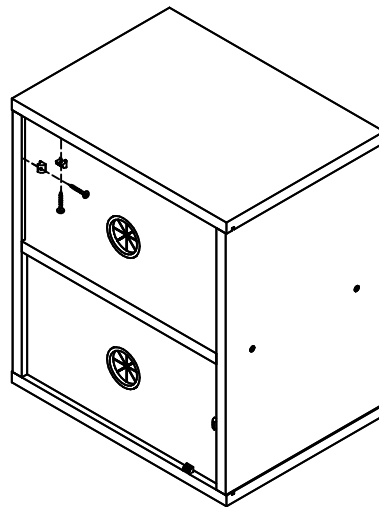
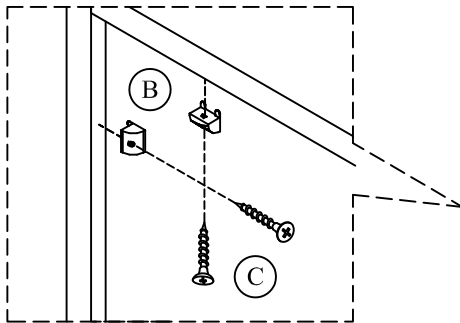
4



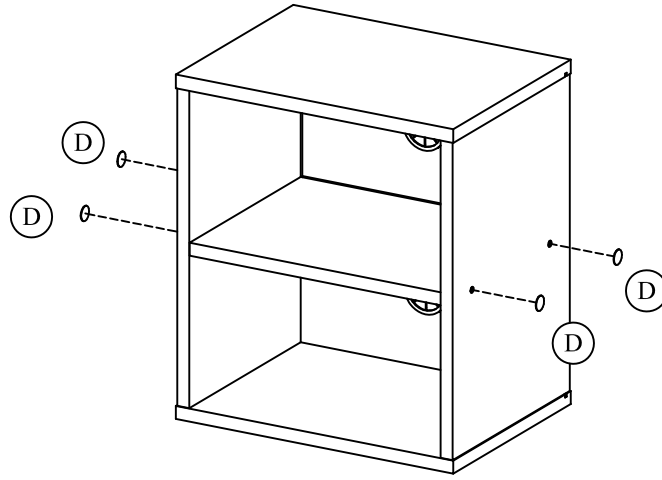
B = 4 x



C = 4 x



5



6

