

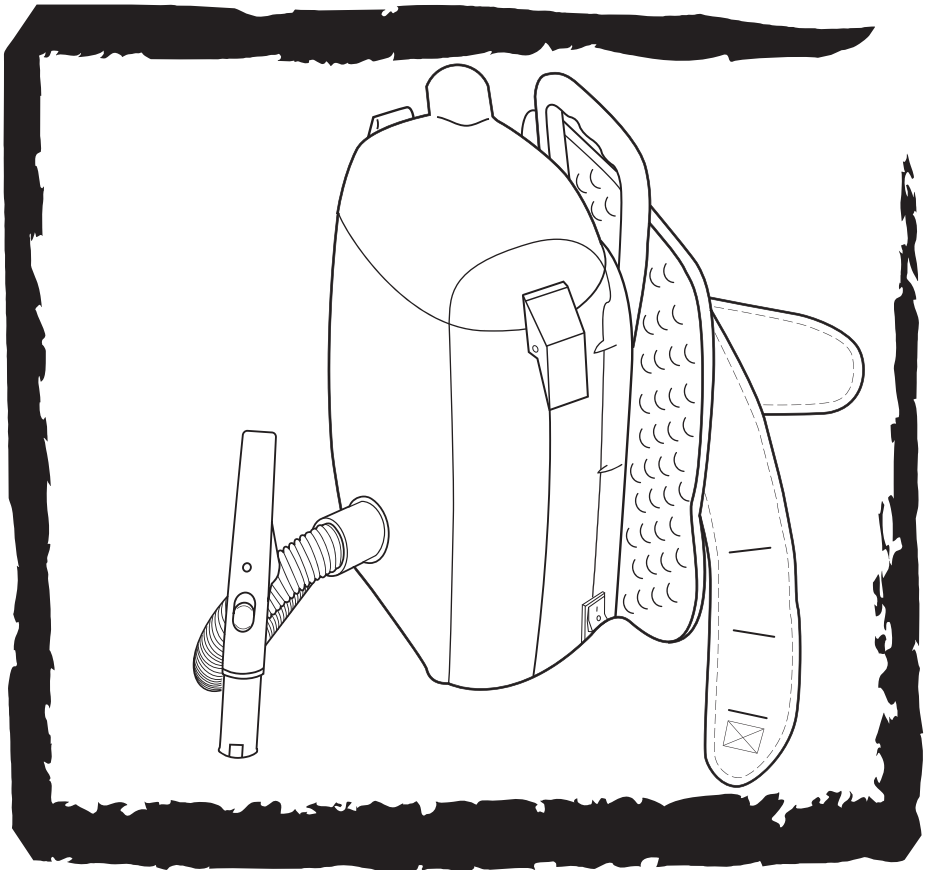


BACK PACK VACUUM

GV-BP8QT

Operation Instruction

Read all instructions before using this appliance



IMPORTANT SAFETY INSTRUCTIONS

When using your Vacuum, basic safety precautions should always be observed, including the following:

Read all instructions before using this vacuum.

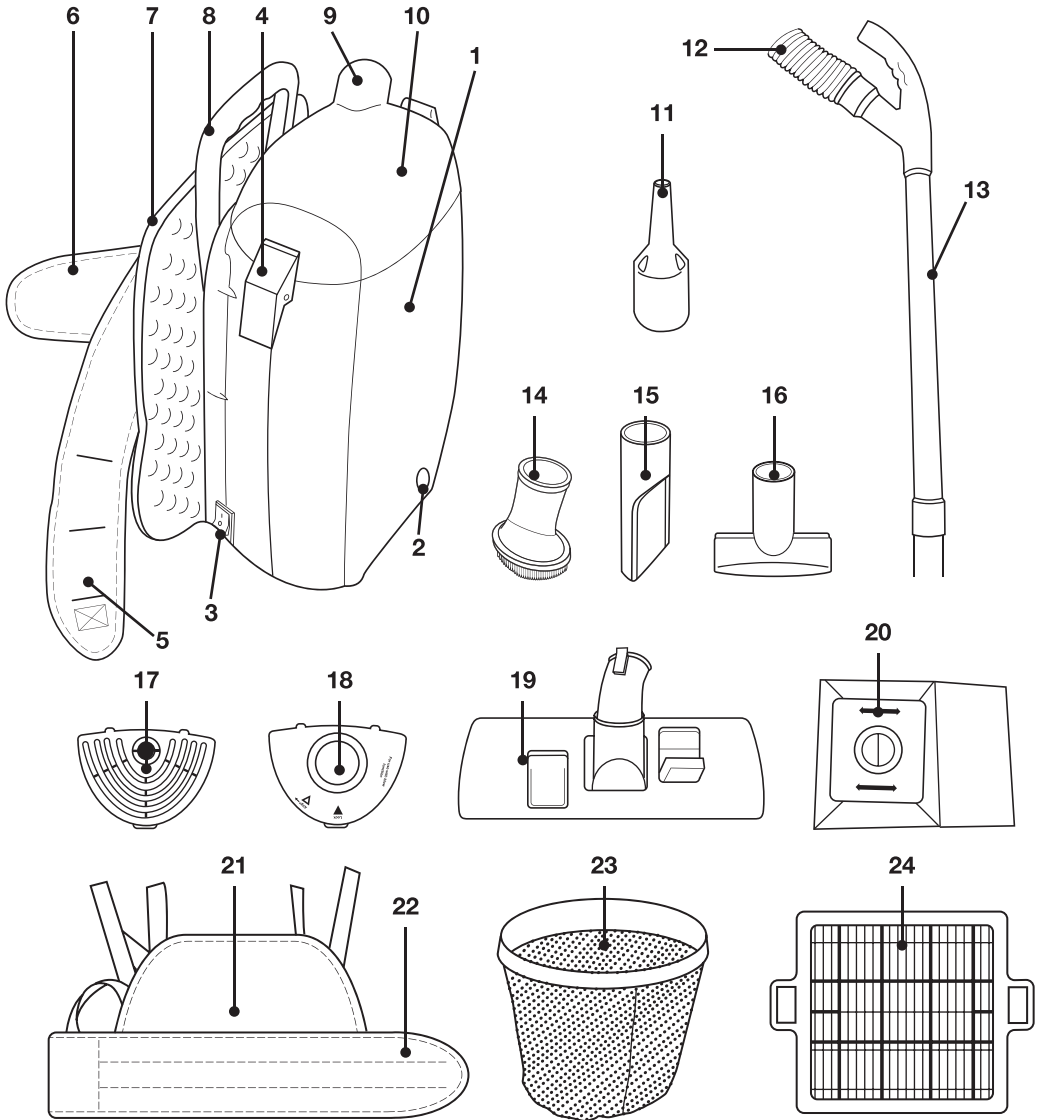
1. **Do not** leave vacuum cleaner unattended when it is plugged in. Unplug from outlet when not in use and before removing filters.
2. **Do not** immerse the vacuum into water or other liquids.
3. **Do not** pickup building materials such as plaster dust, wood shavings, sand etc.
4. Use only as described in this manual. Use only manufacturer's recommended attachments.
5. **Do not** use with damaged cord or plug. **Do not** use vacuum cleaner if it has been dropped, damaged, left outdoors, or dropped into water. Return appliance to **AUTHORIZED REPAIR CENTER** for examination, repair or adjustment.
6. **Do not** pull or carry by cord. **Do not** use cord as a handle, close a door on cord, or pull cord around sharp edges or corners. **Do not** run appliance over cord. Keep cord away from heated surfaces.
7. **Do not** unplug by pulling on cord. To unplug, grasp the plug, not the cord.
8. **Do not** handle plug or vacuum cleaner with wet hands.
9. **Do not** use the vacuum cleaner to pick up large objects or objects that are likely to damage the vacuum cleaner.
10. Keep hair, loose clothing, fingers, feet and all parts of body away from openings, rotating agitator and other moving parts. **Do not** operate cleaner in bare feet or when wearing open toe shoes.
11. **Do not** pick up hot coals, cigarette butts, matches or any hot, smoking, or burning objects.
12. **Do not** pick up hard or sharp objects such as glass, nails, screws, coins, etc.
13. **Do not** use without all filters in place.
14. Turn off all controls before plugging or unplugging vacuum cleaner into electrical outlet.
15. Use extra care when vacuuming on stairs.

16. **Do not** pick up flammable or combustible materials (lighter fluid, gasoline, kerosene, etc.) or use in the presence of explosive liquids or vapour.
17. **Do not** pick up toxic material (chlorine bleach, ammonia, drain cleaner, etc.).
18. **Do not** use in an enclosed space filled with vapours given off by oil based paints, paint thinner, moth proofing substances, flammable dust, or other explosive or toxic vapours.
19. Use only on dry, indoor surfaces.
20. **Do not** put any objects into openings. **Do not** use with any opening blocked. Keep free of dust, lint, hair and anything else that may reduce air flow.
21. Always store your appliance indoors in a cool, dry area.
22. Keep your work area well lit.
23. Keep end of hose, wands and other openings away from your face and body.
24. This appliance is not intended for use by persons (including children) with reduced physical, sensory or mental capabilities, or lack of experience and knowledge, unless they have been given supervision or instruction concerning use of the appliance by a person responsible for their safety.
Children should be supervised to ensure they do not play with the appliance.

**This GV model uses a washable Certified H12 HEPA filter
that filters down to 99.97%**



GETTING TO KNOW YOUR BACK PACK VACUUM



1. Main Unit
2. Exhaust Grill **Port**
3. On/Off Power Switch
4. Canister Lid Tabs
5. Waist Band
6. Shoulder Straps
7. Back Board Panel
8. Carry Handle
9. Hose Inlet
10. Canister Lid
11. Blower Attachment
12. Flexible Hose
13. Plastic Tube
14. Dusting Brush
15. Crevice Tool
16. Pet Hair Remover
17. **Exhaust Grill**
18. Blower Port
- 19 **Combination flool**
20. Paper Dust Bag
21. Waist Band Back Support Panel
22. Waist Band Tool Carrier
23. Cloth Dust Bag
24. **HEPA** Pre-Motor Filter
25. **Exhaust Filter**(no image)
26. **Optional** turbo brush(no image)



OPERATION INSTRUCTIONS

WARNING

To reduce the risk of electric shock, the power cord must be disconnected before removing the dust bag, cloth bag, changing the filters or performing maintenance or trouble – Shooting checks.

ASSEMBLING YOUR VACUUM

Note. Always remove the power plug from the wall outlet before assembling or removing accessories.

INSERTING THE HEPA DUST BAG

Note. This unit can be used with the Shake-Out Bag alone, however it must be cleaned after every use if there is **no HEPA** Dust Bag installed.

Important. Do not use the vacuum with out all filters, cloth bag, and with or without **HEPA** Dust Bag in place.

1. Unplug the hose connecting power cord and remove the flexible hose.
2. To open the canister lid press on the canister lid tabs on each side of the unit and lift canister lid. (Fig.1)
3. Pull the tab on the **HEPA** Dust Bag holder out slightly and flip upwards. (Fig.2)
4. Holding the **HEPA** Dust Bag in your hand, slice it firmly between the slots in the bag holder. (Fig.2)
5. The cardboard face of the new bag should rest securely in the Dust Bag cover guides. (Fig.3)
6. Ensure that the Shake-Out Bag is in place. (Fig.4)
7. Flip the **HEPA** bag holder over, pressing the tab on the bag holder until it clicks, then replace the canister lid.
8. The canister lid can be replaced on the unit with the hose opening on the right or left, as per your preference. (Fig.5)

ATTACHING THE FLEXIBLE HOSE TO THE VACUUM

The flexible hose should be connected to the vacuum before strapping the unit.

1. To connect the flexible hose into the hose inlet, insert the threaded end of the flexible hose into the hose inlet and turn counter-clockwise until it locks into place. (Fig.6)
2. Plug the power cord into the electrical outlet.

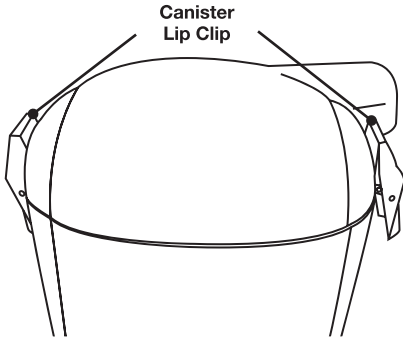


Fig 1

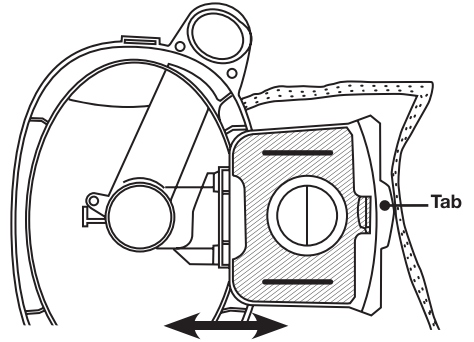


Fig 2

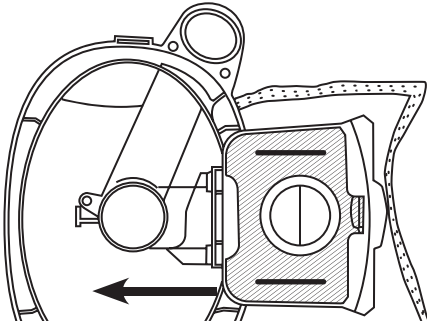


Fig 3

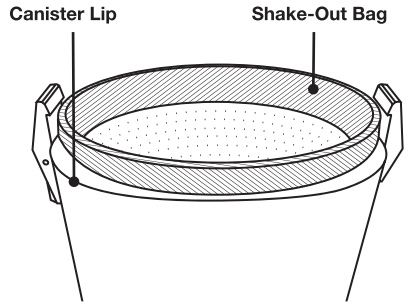


Fig 4

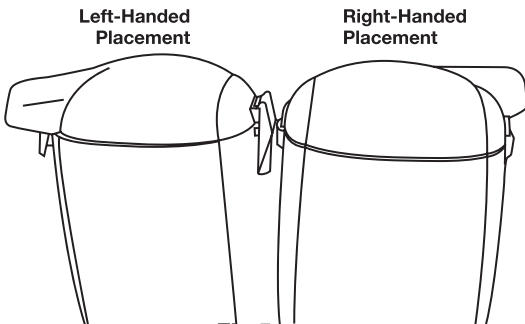


Fig 5

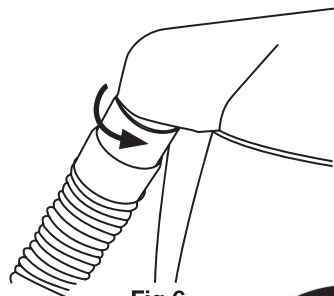


Fig 6



3. To remove the flexible hose, unplug the power cord and then turn the hose. To remove the telescopic tube from the flexible hose, press on the telescopic tube release button and pull it out. (Fig.7)
4. Step on the Floor to Carpet selector to adjust the height of the brushes. There are two different heights one for floors and one for carpets. (Fig.8)
5. To remove the telescopic tube from the floor to carpet brush, pull the telescopic tube out from the Floor to Carpet Brush.

USING THE ATTACHMENTS

Dusting Brush

The Dusting Brush is used for the furniture. (Fig.9)

Crevice Tool

Use for radiators, crevices, corners, baseboards and between cushions. (Fig.10)

Pet Hair Remove Brush

The Pet Hair Remove Brush is used for upholstery.

The unique surface makes it an excellent tool for removing unwanted pet hair. (Fig.11)

Note. This tool is not a grooming tool and should not be used on animals.

Caution. Do not use Pet Hair Remove Brush on delicate or woven fabrics that may snag. **Do not** use pet hair remover brush on wooden floors as this accessory might cause mild scratching.

Blower Attachment

The Blower Attachment can be used with the vacuum to pick up very fine dirt particles in tight crevices or spots, or to inflate inflatable items or air mattresses. (Fig.12)

MANUAL SUCTION CONTROL

Your vacuum cleaner includes a manual variable suction control on the flexible hose handle. The suction power can be adjusted by moving the suction regulator to the desired position between open and closed. (Fig.13)

Air Driven turbo brush (Optional)

Warning. To reduce the risk of electric shock, the power cord must be disconnected before removing the **HEPA** Dust Pack Bag.

HEPA Pre-Motor Filter, changing the filters or performing maintenance or troubleshooting checks. The efficiency of your Air Driven Turbo Brush depends on the Bristle Brush rotating at high speed. Strong air suction is needed to accomplish this. In order to ensure that maximum air suction is maintained,

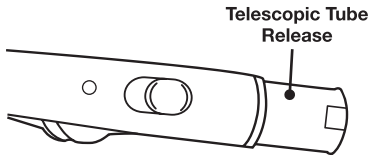


Fig 7

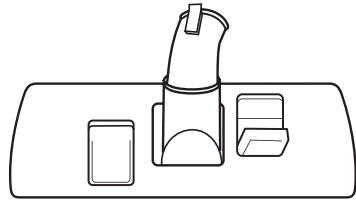


Fig 8

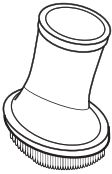


Fig 9



Fig 10

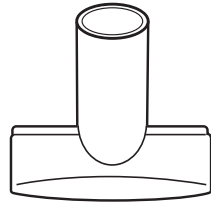


Fig 11



Fig 12

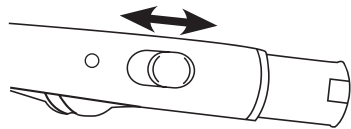


Fig 13



1. Change the **HEPA** DUst Bag or empty the Shake-Out Bag frequently.
2. Replace the Pre-Motor and exhaust filters as needed.
3. Ensure that the rotating brush is kept free of hair and string which may accumulate and decrease brush performance.
4. To attach the air driven turbo brush, insert the telescopic tube into the Air Driven Turbo Brush.
5. To adjust the suction control on the Air Driven Turbo Brush slide for more or less suction as desired the suction control.
Note. The driven Turbo Brush has a suction control on the top of the brush. Open or close to increase or decrease the suction as desired, i.e., open for high pile or closed for low pile carpets.

USING THE BLOWER ATTACHMENT

The blower attachments **is** extremely useful for vacuuming in hard to reach crevices and small compartments such as in cars.

Important Note. When blocking the air holes, grasp the blower attachment firmly so that they do not blow off.

Note. Do not use blower function to clear dust off of fragile or delicate objects unless they are secured or held firmly in place as the blower action is quite strong and may cause damage.

The Blower Attachment **has** air bleed hole . **This** air bleed hole help relieve some air pressure so that the attachment does not blow off. However, should an increase in air pressure be desired, simply cover one or more of the air bleed holes.

To use the blower attachment :

1. Pull up and hold the exhaust tab, with the free hand pull out the exhaust grill.(Fig.13)
2. Remove the exhaust filter.
3. To place the blower port into the exhaust outlet, align the lower tabs on the blower port with the slots on the exhaust. Pull up on the exhaust tab and push the top of the blower port until it snaps into place. (Fig.14)
4. To attach the hose to the blower port, align the flexible hose and turn counter-clockwise until it stops. The hose is now securely in place. (Fig.15)
5. To blow up inflatable items, **then fit into the air value.**
6. Turn the unit on and hold the blower attachment and air valve while the vacuum exhaust is pumping air into the inflatable.
7. To detach the flexible hose turn clockwise and pull out from blower port.
Note. Firmly hold the flexible hose by the attachment when blowing dirt or dust off of objects.

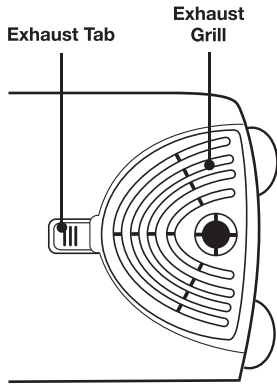


Fig 13

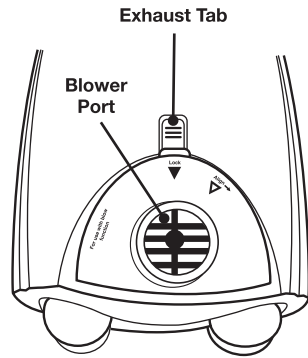


Fig 14

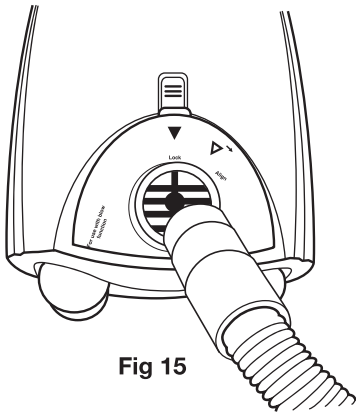


Fig 15



USING YOUR VACUUM

1. Insert the power plug into the wall outlet.
2. Connect hose and telescopic tube if desired.
3. Correctly place shoulder straps on each shoulder and secure the waist band with hook and loop strips. (Fig.16)
Caution. If the waist band and both shoulder straps are not properly and securely in place the unit could fall off your back causing damage or injury.
4. Turn the unit on by pressing the switch located near the base of the unit to turn the vacuum cleaner on. (Fig.17)

REMOVING AND REPLACING HEPA

To remove the **HEPA** Dust Bag from the vacuum:

Important. Do not use the vacuum without all filters, Shake-Out Bag, and with or without **HEPA** Dust Bag in place.

1. To remove the **HEPA** Dust Bag, press on the canister lid tabs on each side of the unit and lift canister lid. (Fig.18)
2. Pull the tab on the **HEPA** Dust Bag holder out slightly and lift upwards. (Fig.18)
3. Holding the **HEPA** Dust Bag in your hand, slide it out from the slots in the bag holder. Hold carefully in order to avoid having dust fall out of **HEPA** Dust Bag. (Fig.19)
4. Replace the **HEPA** Dust Bag with a new bag. **Do not** reuse the same bag.
5. The cardboard face of the new bag should rest securely in the dust bag cover guides.
6. Replace the Shake-Out Bag into the vacuum.
7. To replace the **HEPA** Dust Bag holder, flip the holder and press tab until it clicks.
8. Replace the canister lid onto the vacuum.
Warning. NEVER over fill the **HEPA** Dust Bag – replace when bag is full and clean the Shake-Out Bag and filter each time the **HEPA** Dust Bag is replaced.

CLEANING & REPLACING THE SHAKE-OUT BAG

Note. Clean the Shake-Out Bag out-doors when changing the **HEPA** Dust Bag. Optimum performance is achieved by using the **HEPA** Dust Bag with the Shake-Out Bag decreasing the need for washing the Shake-Out Bag.

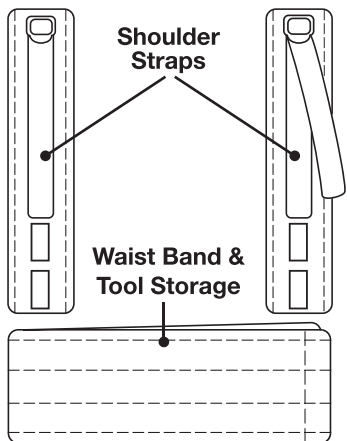


Fig 16

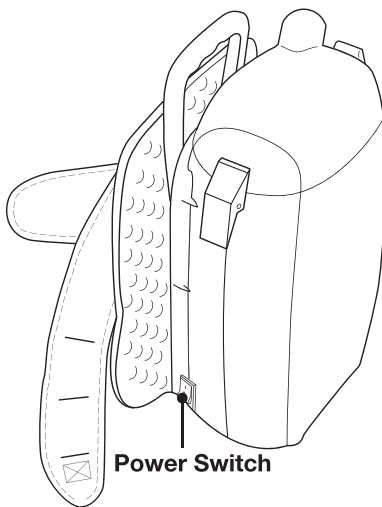


Fig 17

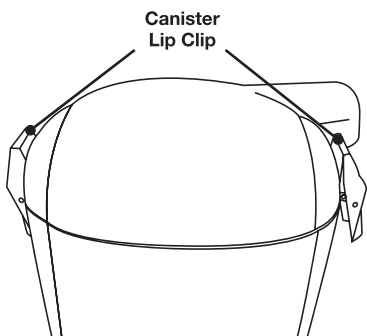


Fig 18

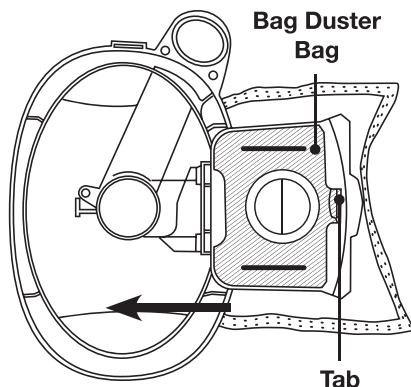


Fig 19



CLEANING THE SHAKE-OUT BAG WHEN USED WITH THE HEPA DUST BAG

1. Remove the Shake-Out Bag, holding the handle at the bottom of the bag, shake out doors vigorously over a garbage receptacle until there is no more dust.
2. Inspect Shake-Out Bag regularly for tears or damage. Replace Shake-Out Bags if damage or tears are present.

CLEANING THE SHAKE-OUT BAG WHEN USED ALONE

1. Remove the Shake-Out Bag, empty trash can, and shake vigorously out doors until there is no more dust.
2. The Shake-Out Bag is hand wash-able in lukewarm water.
3. Allow to air dry for **24 hours**. The Shake-Out Bag should be replaced when needed. **Never replace into the vacuum if still wet.**
Note. If used often without **HEPA** dust bag, replacement and washing will be required more often
4. Replace clean Shake-Out Bag in unit ,and replace the canister lid.

CLEANING THE HEPA PRE-MOTOR FILTER

Important, Please Note. The **HEPA** Pre-Motor Filter will stop most of the tiniest dust particles and airborne allergens from re-entering the air you breathe. In fact it stops 99.97% of all particles as small as 0.3 microns-many times smaller than a human hair! Because of this incredible filtration performance, the **HEPA** Pre-Motor Filter will accumulate many fine dust particles that are difficult to see. Be assured that the **HEPA** Pre-Motor Filter is doing the job. Clean the **HEPA** Pre-Motor Filter after each use as described in this section.

1. Remove the Shake-Out Bag from the canister. The **HEPA** Pre-Motor Filter is located underneath the Shake-Out Bag. To remove the **HEPA** Pre-Contents into a motor filter, lift the form the sides of the **HEPA** filter.
2. Vigorously “Tap Clean” the **HEPA** Pre-Motor Filter on a hard surface to remove any residual dust that might still be on the **HEPA** Pre-Motor Filter.
3. You can wash the **HEPA** Pre-Motor Filter by running it under the tap and allowing the water to run on the dirty side at least once a month or when suction appears to be decreased.

Wash once a year or when suction appears reduced

WARNING

Allow 24 hours for drying before replacing in unit.