



# SHOWER FAUCET ROBINET DE DOUCHE

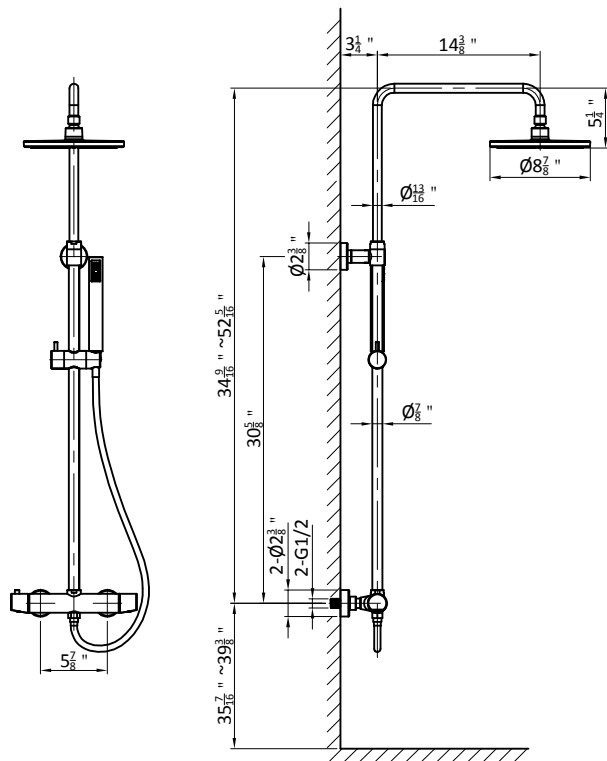
## Manuel D'Instruction Instruction Manual



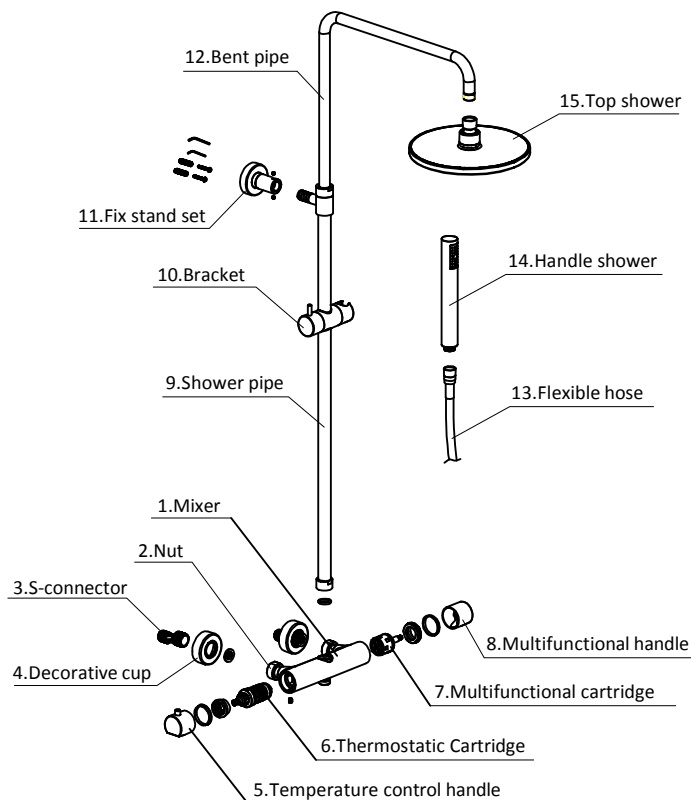
**POUR MODÈLE / FOR MODEL: 8011-01-10**

# Thermostatic rain shower faucet

8011-01-10



Installation drawing



Product accessories

## Installation Instructions :

1. Supply lines should be purged to clean impurities before connecting the unit (hot water on left, cold water on right).
2. Screw the S-Connectors (3) into supply lines. The S-Connectors can be adjusted in  $5\frac{7}{8}'' \pm \frac{13}{16}''$  inch, from hot water supply to cold water supply so that the mixer (1) can be adjusted during installation.
3. Put decorative covers (4) on the S-Connectors closely to the wall.
4. Put the washers into the nuts (2) of the mixer (1), and then screw the nuts to tighten the mixer onto the S-Connectors. The mixer should be aligned with the wall and floor horizontally. The hot water supply should be connected to the left and the cold water supply to the right.
5. Put the washer into the nut of the shower pipe (9). Insert the shower pipe (9) onto the mixer (1), and then tighten it.
6. Mark a suitable position on wall and drill two nail holes, then put the nuts into the nail holes until it is the same level with the wall. Install the fixed stand on it and cover with decorative cup (4). Check if it is fixed well.
7. Fix the bracket (10) onto the shower pipe in a suitable position. Put washers into the hose (13) connections, one piece of each, and then tighten the hose to the water outlet and the handle shower. Last install the shower head (15) onto the shower pipe (12). Please make sure all washers and rings are well installed.
8. Leakage test: turn on/off the temperature control handle (5) and multifunctional handle. If no leakage is found, the installation is done.

## Application:

1. Turn on the multifunctional handle; water will come out from top shower or handle shower.
2. The security stop is 38 °C. Press the security stop and turn the handle forward and back, water temperature will become hotter or colder.

## Cleaning and Maintenance :

1. Use soap and water to remove lime stains from chrome surface. Don't use acidic detergents, scouring pads or steel wool; otherwise the chrome parts will get damaged
2. Use soap and water to clean installation accessories, such as plastic or rubber components. Don't use acidic detergents, scouring pads, alcohol cleaners or steel wool.

## Data Sheet :

Nominal Diameter	G1/2
General Medium	Water
Water Pressure	0.05Mpa-1.0Mpa
Recommended Pressure	0.1Mpa-0.6Mpa
Temperature Range	4°C - 90°C

## Warranty:

Jade bath warrants its faucets to be leak and drip free during normal residential use for 1 year from original date of purchase. If the faucet should leak or drip during normal use, kindly contact our support team. Damages caused by accident, misuse or abuse will void this warranty. Under this warranty, you (the customer), is entitled to replacement parts at no cost to repair and restore functionality if any part of the product were to fail. NO labor is provided. Proof of purchase (original purchasing receipt) must be provided to Jade Bath in order to claim for warranty.



**DO NOT RETURN THIS PRODUCT TO THE STORE**  
**NE PAS RETOURNER CE PRODUIT AU MAGASIN**

**Please contact Jade before returning any product. If you are missing parts or experiencing problems with your installation, our Customer Service Department will be happy to assist you.**

*S'il vous plaît contactez Jade avant de retourner tout produit. Si vous manquez des pièces ou avez des problèmes avec votre installation, notre Service à la Clientèle sera heureux de vous aider.*

Jade Customer Service.  
*Service à la Clientèle.*

Tel: **1-866-333-0555**



**Jade**  
11 900, J.J. Joubert,  
Montreal, Canada H1E 7J4  
Tel: (514) 832 0555  
Fax: (514) 832 0554  
[www.jadebath.com](http://www.jadebath.com)