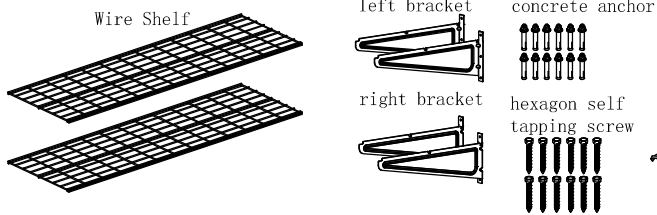
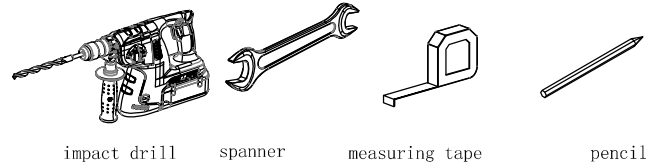


Wire shelf Installation sheet (concrete/brick wall)

Material:

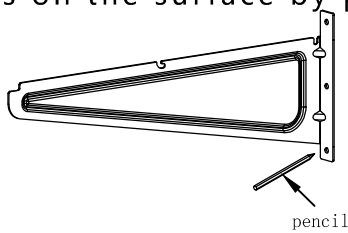


Tool:

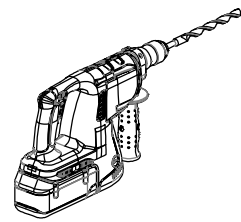


Installation step: (concrete/brick wall)

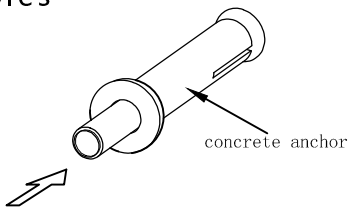
1. Mark the position of the holes on the surface by pencil



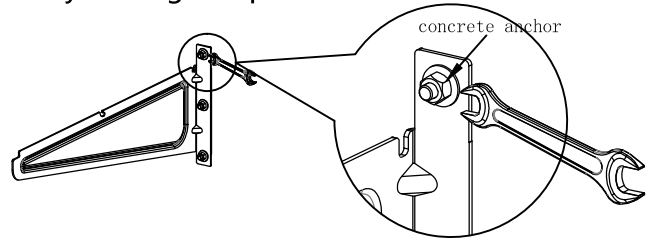
2. Drill the holes at the mared points



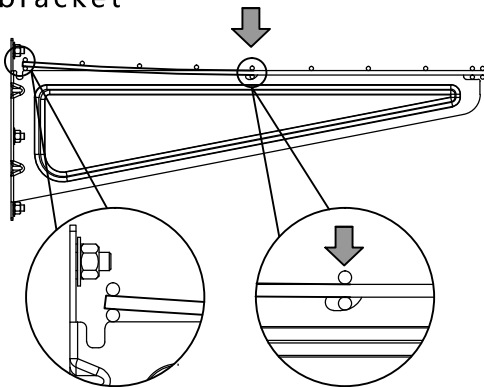
3. Put the anchors into the holes



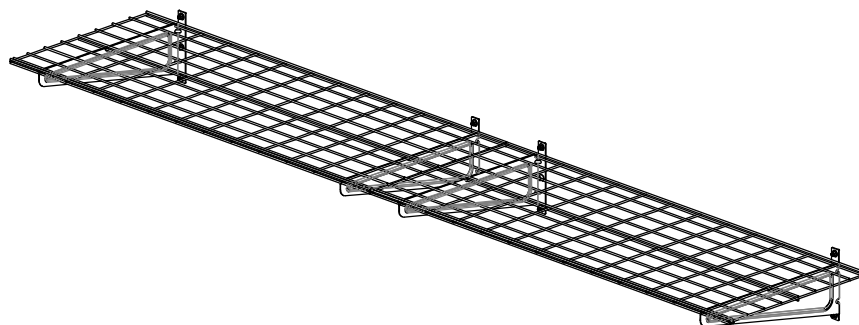
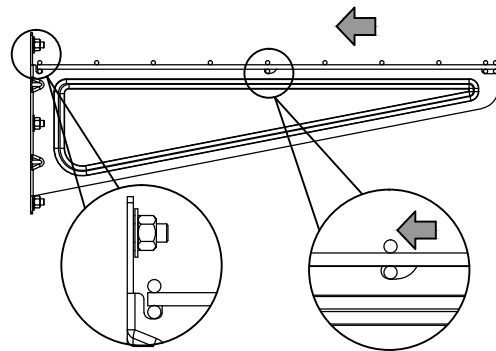
4. Fix the bracket on to the wall by using a spanner



5. Install the wire shelf onto the bracket

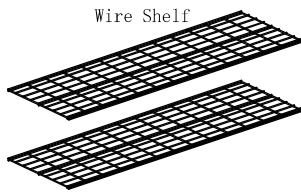


6. Pull the wire shelf into the tunnel to the end.



Wire shelf Installation sheet (wooden wall)

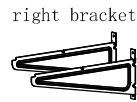
Material:



left bracket



concrete anchor



hexagon self tapping screw



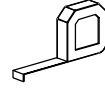
Tool:



impact drill



spanner



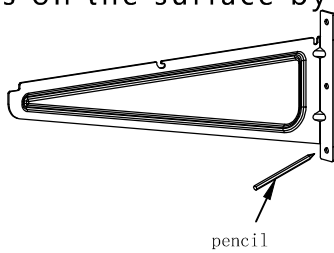
measuring tape



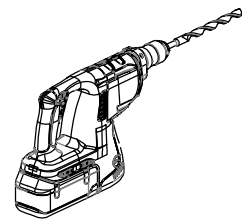
pencil

Installation step: (wooden wall)

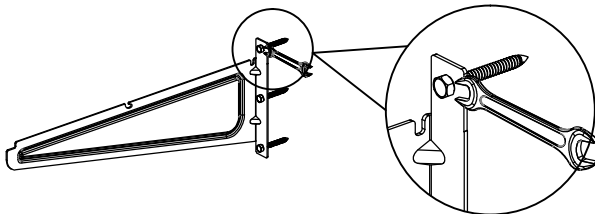
1. Mark the position of the holes on the surface by pencil.



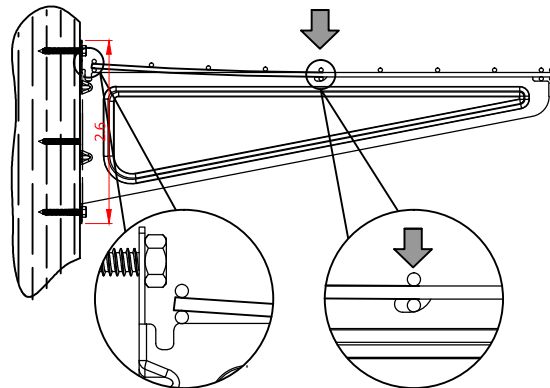
2. Drill the holes at the mared points.



3. Fix the bracket on to the wall by using a spanner



4. Install the wire shelf into the tunnel of the bracket.



5. Pull the wire shelf into the tunnel to the end.

