

LMV1762*

QUICK INSTALL & CLEARANCES

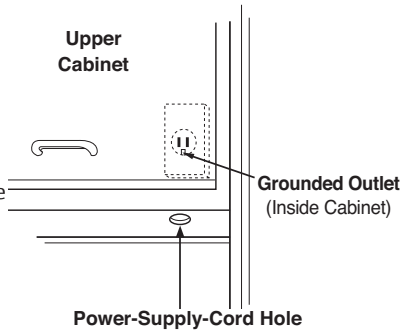
For full installation directions/clearances please refer to the corresponding User Manual and Installation Guide.

DIMENSIONS	
Cavity (WxHxD)	21-9/16" x 8-7/8" x 15-1/8"
Exterior (WxHxD)	29-7/8" x 16-7/16" x 15-1/8"
Net Weight	8.5 lbs.
Shipping Weight	55.1 lbs
Shipping Dimensions (WxHxD)	33-1/2" x 20-3/16" x 19-5/16"

POWER/RATINGS	
Input Volt/Hertz	120/60
Input Amps/Watts (Microwave)	14A/1600W

ELECTRICAL CONNECTION

- Locate the grounded electric outlet for this oven in the cabinet above the oven, as shown.
NOTE: The outlet should be on a circuit dedicated to the microwave oven (120V, 60 Hz., AC only) with a 15 or 20A fused electrical supply.
IMPORTANT: If you do not have the proper wall outlet, you **MUST** have one installed by a qualified electrician.
- You will cut the hole for the power supply cord later when you prepare the wall and upper cabinet in.
- **NOTE:** Do not use an extension cord. Keep the power cord dry and do not pinch or crush it.



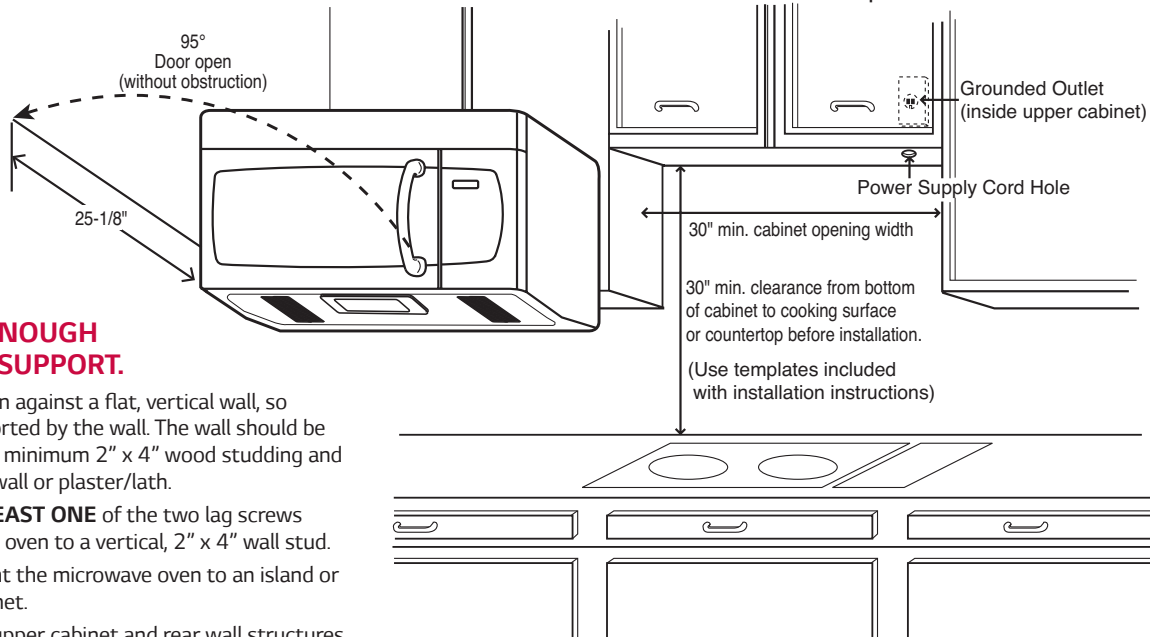
⚠ WARNING

AVOID ELECTRIC SHOCK! THIS APPLIANCE MUST BE GROUNDED!
 Improper grounding could result in electric shock or other personal injury.

MAKE SURE YOU HAVE ENOUGH SPACE AND SUPPORT.

- Mount the oven against a flat, vertical wall, so that it is supported by the wall. The wall should be constructed of minimum 2" x 4" wood studing and 3/8" thick drywall or plaster/lath.
- **ATTACH AT LEAST ONE** of the two lag screws supporting the oven to a vertical, 2" x 4" wall stud.
- **DO NOT** mount the microwave oven to an island or peninsula cabinet.
- **BE SURE** the upper cabinet and rear wall structures are able to support 150 lbs., plus the weight of any items you place inside the oven or upper cabinet.
- Locate the oven away from strong draft areas, such as windows, doors, and strong heating vents.
- **BE SURE** you have enough space. See below for minimum vertical and horizontal clearance.

NOTE: Maximum cabinet depth is 13".



CAUTION:

- **⚠** Before you begin installing the oven, **PLACE A PIECE OF THE CARTON OR OTHER HEAVY MATERIAL** (a blanket) over the countertop or cooktop to protect it. Do not use a plastic cover. Failure to protect these surfaces could result in property damage.