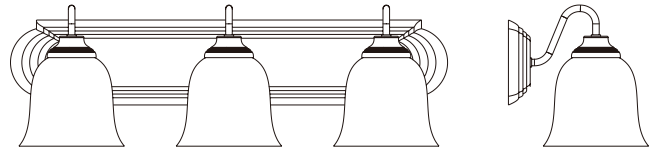





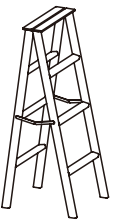

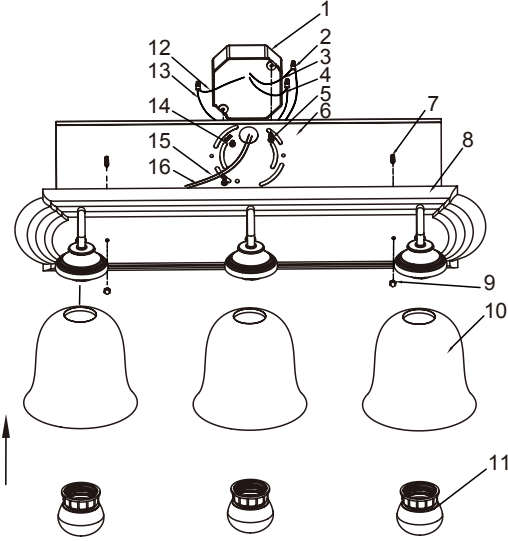
**Questions?**

For customer service please call us at 1-888-743-5766  
Office Hours: 8:00 a.m. – 5:00 p.m. PST Monday-Friday



**PLEASE REVIEW THE INSTRUCTIONS AND WARNINGS LISTED BELOW PRIOR TO PROPER INSTALLATION**

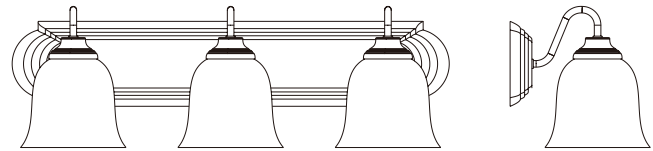
WARNINGS	CAUTIONS
<ul style="list-style-type: none"> <li>• Risk of fire / electrical shock</li> <li>• LED Fixture installation requires knowledge of luminaire electrical systems.</li> <li>• Risk of electric shock – disconnect power at source before installation</li> <li>• Do not make or alter any open holes in an enclosure of wiring or electrical components during installation.</li> <li>• If lamp or luminaire exhibits abnormal operation (buzzing, flickering, minimal light, etc.), turn off power, remove fixture and contact us. For more information please visit <a href="http://www.eurilighting.com">www.eurilighting.com</a> or call our toll-free number 1-888-743-5766.</li> <li>• Wear gloves to prevent cuts/abrasions from sharp edges when removing from carton, handling, and maintaining this fixture.</li> </ul>	<ul style="list-style-type: none"> <li>• Do not use with dimmers.</li> <li>• Do not look directly at the operating LED Fixture.</li> <li>• Do not touch this product with wet hands.</li> <li>• Do not disassemble, repair or alter lamp.</li> <li>• Designed for indoor applications only.</li> <li>• Suitable for damp locations.</li> <li>• The luminaires shall be grounded.</li> <li>• Be careful not to touch the lamp pins to the metal housing when installing.</li> <li>• This Device is not intended for use with emergency exits or emergency lights.</li> <li>• Installation by a licensed Electrician recommended.</li> </ul>

Tools Required	Parts List			
<p>Phillips Screwdriver</p>  <p>Ladder</p>  <p>Safety Goggles</p> 	<p>Remove the fixture and the mounting package from the box and make sure that no parts are missing by referencing the illustrations on the installation instructions.</p> 			
	1	Outlet box	9	M4*7 Metal Cap
	2	P3 Rotatable Connector	10	Glass Cover
	3	White Supply Wire	11	Ringer
	4	Black Supply Wire	12	House ground wire
	5	8-32*15 Machine tapping screw	13	Fixture Ground Wire
	6	Mounting Bracket	14	Grounding Screw
	7	M4*28 Machine tapping screw	15	White Fixture Wire
	8	Plate	16	Black Fixture Wire



**Questions?**

For customer service please call us at 1-888-743-5766  
Office Hours: 8:00 a.m. – 5:00 p.m. PST Monday-Friday



**PLEASE REVIEW THE INSTRUCTIONS AND WARNINGS LISTED BELOW PRIOR TO PROPER INSTALLATION**

WARNINGS	CAUTIONS
<ul style="list-style-type: none"> <li>• Risk of fire / electrical shock</li> <li>• LED Fixture installation requires knowledge of luminaire electrical systems.</li> <li>• Risk of electric shock – disconnect power at source before installation</li> <li>• Do not make or alter any open holes in an enclosure of wiring or electrical components during installation.</li> <li>• If lamp or luminaire exhibits abnormal operation (buzzing, flickering, minimal light, etc.), turn off power, remove fixture and contact us. For more information please visit <a href="http://www.eurilighting.com">www.eurilighting.com</a> or call our toll-free number 1-888-743-5766.</li> <li>• Wear gloves to prevent cuts/abrasions from sharp edges when removing from carton, handling, and maintaining this fixture.</li> </ul>	<ul style="list-style-type: none"> <li>• Do not use with dimmers.</li> <li>• Do not look directly at the operating LED Fixture.</li> <li>• Do not touch this product with wet hands.</li> <li>• Do not disassemble, repair or alter lamp.</li> <li>• Designed for indoor applications only.</li> <li>• Suitable for damp locations.</li> <li>• The luminaires shall be grounded.</li> <li>• Be careful not to touch the lamp pins to the metal housing when installing.</li> <li>• This Device is not intended for use with emergency exits or emergency lights.</li> <li>• Installation by a licensed Electrician recommended.</li> </ul>
<b>Installation:</b>	
<ol style="list-style-type: none"> <li>1. Pull out the power supply wires (#3, #4, #12), from the outlet box (#1), and thread the wires through the hole in the mounting bracket (#6).</li> <li>2. Install the mounting bracket (#6) on the outlet box (#1) by tightening machine tapping screws (#5).</li> <li>3. Make the wiring connections by using P3 rotatable connectors (#2): <ul style="list-style-type: none"> <li>Connect black supply wire (#4) to black fixture wire (#16)</li> <li>Connect white supply wire (#3) to white fixture wire (#15)</li> <li>Connect house ground wire (#12) to fixture ground wire (#13).</li> </ul> <p style="text-align: center;"><b>*If house wiring includes no ground wire, consult an electrician.*</b></p> </li> <li>4. Mount the fixture base plate (#8) all the way through the screws (#7) on the mounting bracket(#6), and tighten the plate(#8) on the bracket(#6) by screwing in the M4*7 metal cap (#9)</li> <li>5. Install the glass cover (#10) onto the plate (#8) by screwing the ringers (#11) into the glass cover (#10).</li> </ol>	