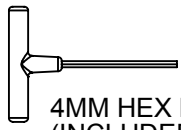


# HANOVER®

MODEL: HVLNA15

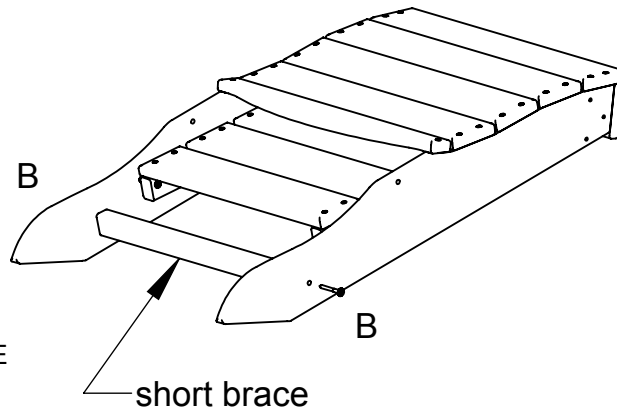
- (1) Seat
- (1) Back
- (2) Front legs
- (2) Arms
- (1) Long brace
- (1) Short brace
- (1) Hardware pack

## TOOLS NEEDED



4MM HEX KEY, ALLEN, T-HANDLE (INCLUDED), 7/16 WRENCH

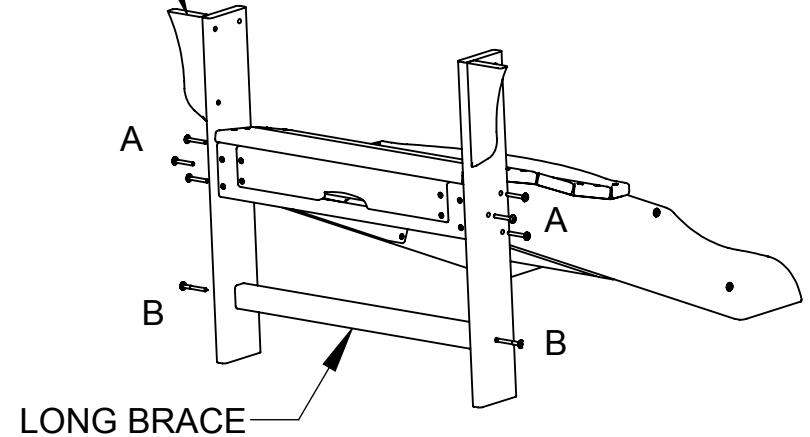
**Step 1**  
Attach short brace to rear legs using (2) 2" screws



WING  
FACES  
FRONT

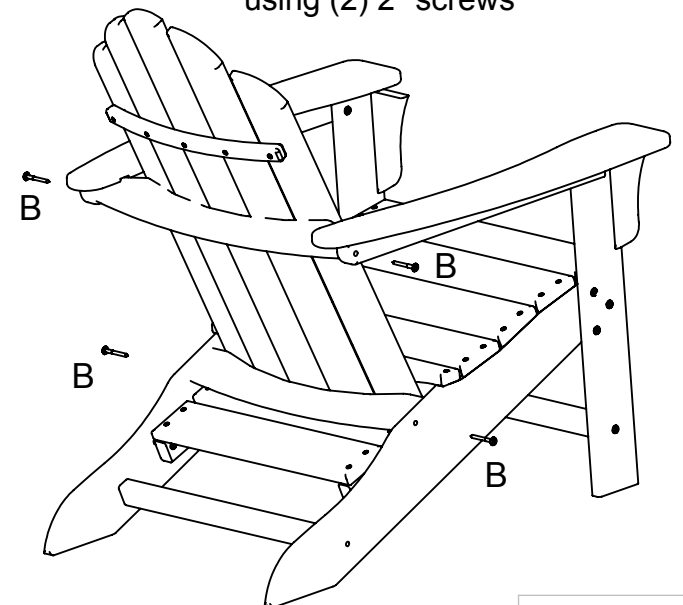
**Step 2**  
Attach front legs to seat using (6) 1½" screws

Attach long brace using (2) 2" screws

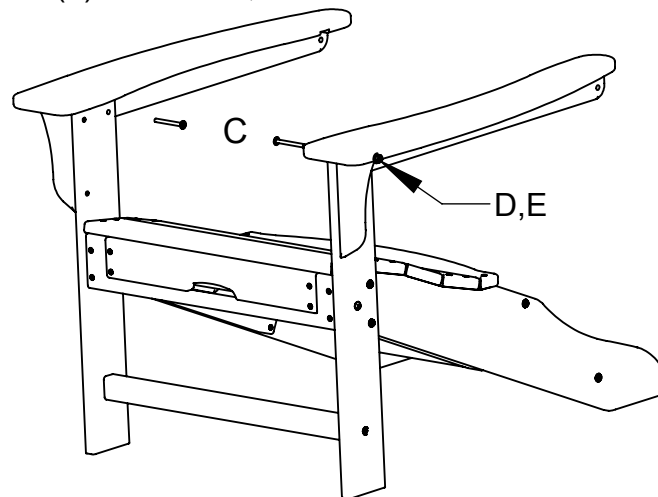


**Step 4**  
Attach back to seat using (2) 2" screws

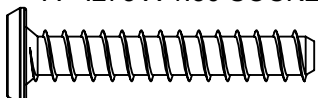


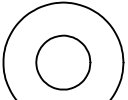
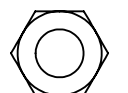
Attach back to arm using (2) 2" screws



**Step 3**  
Attach arms to front leg using (2) 2-1/4" bolt, nut and washer



## QTY. DESCRIPTION

- |   |   |
|---|---|
|   | A - .273 X 1.50 SOCKET WAFER B  |
| 6 |    |
|   | B - .273 X 2.00 SOCKET WAFER A  |
| 8 |  |
|   | C-1/4-20 X 2-1/4 WAFER SHCS   |
| 2 |  |
|   | D-1/4 FLAT WASHER   |
| 2 |  |
|   | E-1/4-20 NYLOCK NUT   |
| 2 |  |