

# KHF200-30

30 Inch Single Bowl Stainless Steel Farmhouse Kitchen Sink

# Kräus<sup>®</sup>

SPECIFICATION SHEET

### Sink Dimensions

Overall Dimensions: 29 3/4" x 20 3/4"

Bowl Dimensions: 27" x 16"

Sink Depth: 10"

### Features

- 16 Gauge Stainless Steel Construction
- Apron Front Handmade Single Bowl Sink
- Required Minimum Cabinet Size: 30" Left to Right, 24" Front to Back
- Rear Center Set Drain
- 3 1/2" Drain Opening
- NoiseDefend Undercoating and Sound Dampening Pads

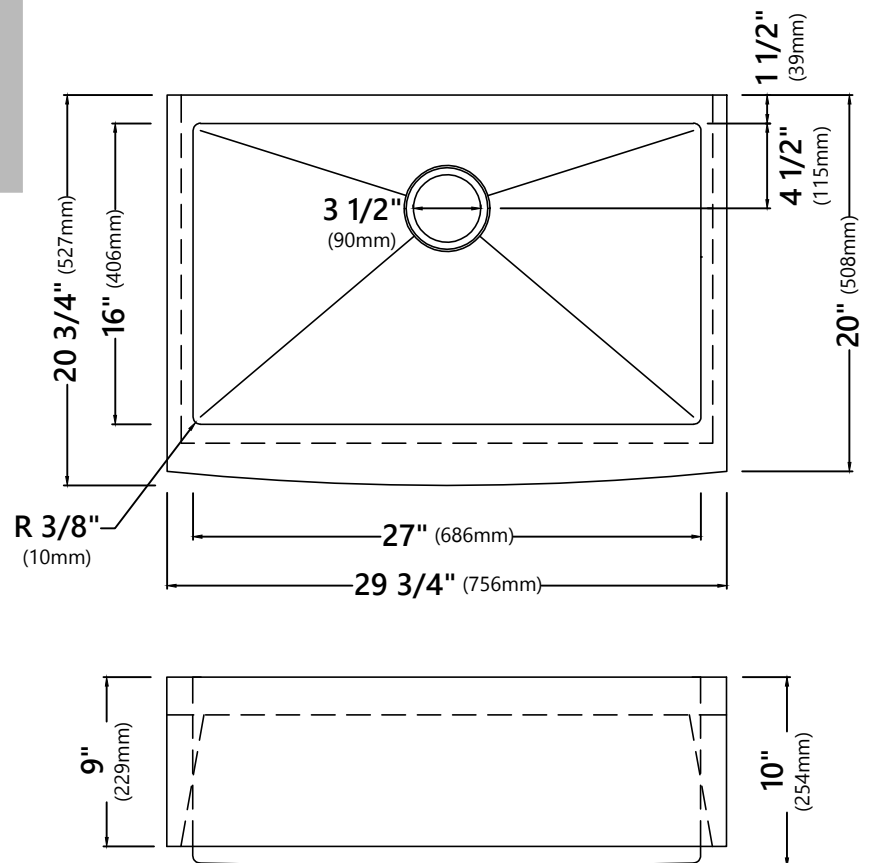
### Accessories Included

- Strainer BST-1
- Bottom Grid KBG-200-30
- Cut-Out Template
- Towel

### CODES/STANDARDS:

#### Product Certification

cUPC (ASME A112.19.3/CSA B45.4)



### Warranty

Kraus Limited Lifetime Warranty

see website for details [www.kraususa.com](http://www.kraususa.com)