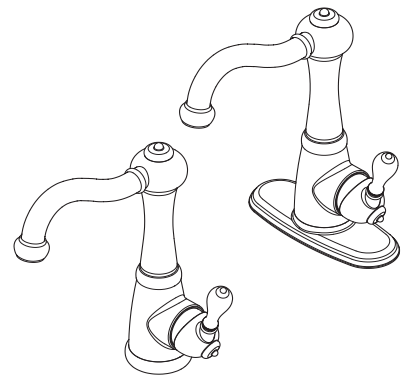


- LF-072-M1SS Finish(SS)
- LF-072-M1YY Finish(YY)



- Single Control
- 1 or 3-Hole Installation
- Pforever Seal
- Flexible Braided Stainless Steel Supply Lines

Specifications

Features

- 1.8 GPM Flow Rate
- Solid Brass Construction
- Temperature Memory Feature Retains Desired Temperature Setting
- Up to 2 1/2" of Deck Clearance
- 1 or 3-Hole Installation; Deck Plate or Single Hole Mounting Option
- 360° Swivel Spout for Custom Handle Positioning
- Decorative Arc Spout
- Pforever Seal Ceramic Disc Valve
- Pforever Warranty®

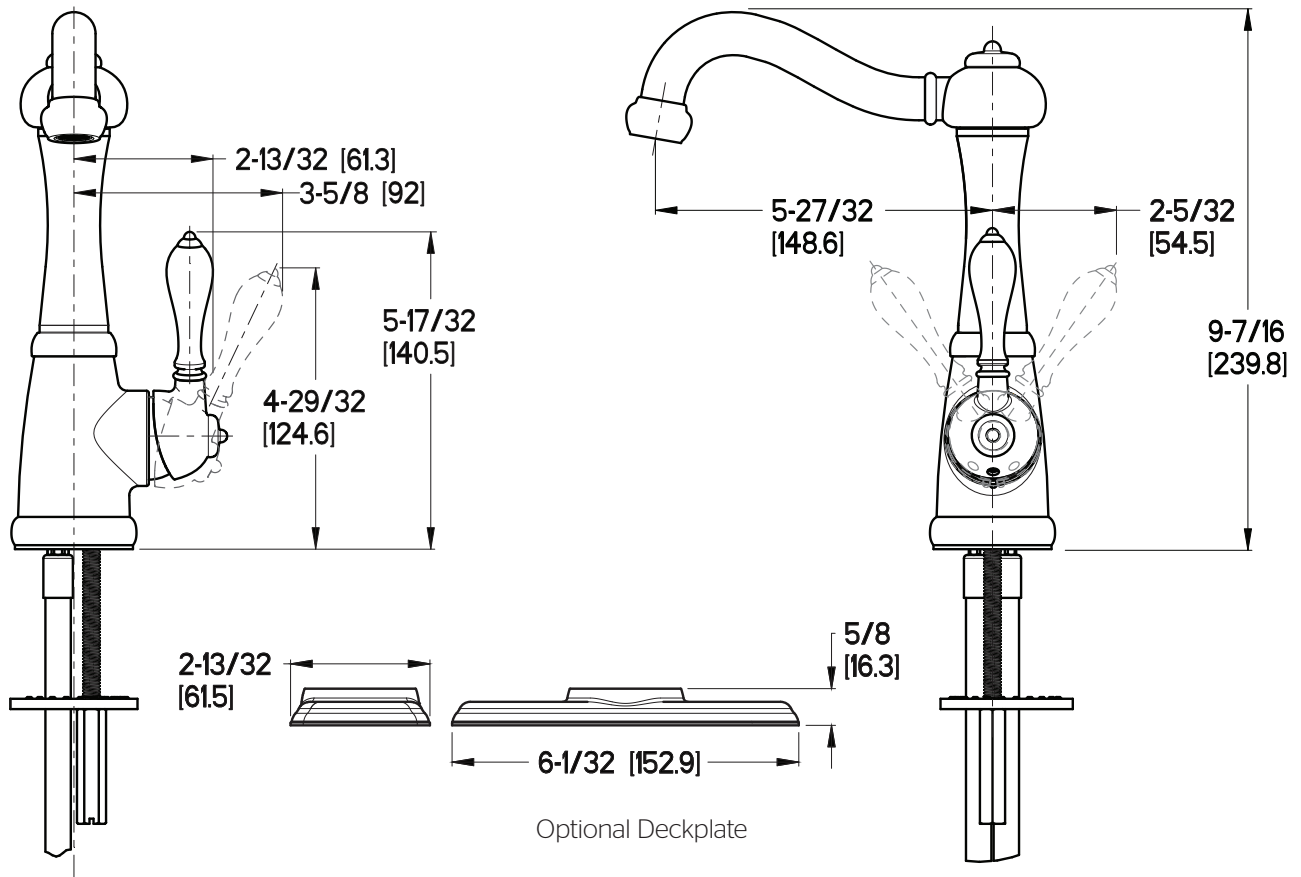
Code Compliance

Pfister products are designed and manufactured in compliance with the following standards and codes:

- IAPMO Certified
- CSA B125 Certified
- ASME A112.18.1
- NSF 61/9 Annex G (Low lead)
- Cal Green Compliant
- ADA Compliant-ANSI A117.1 (Lever handles only)



Dimensions



Ø1-3/8 Min to Ø1-1/2 Max. Deck Hole Openings