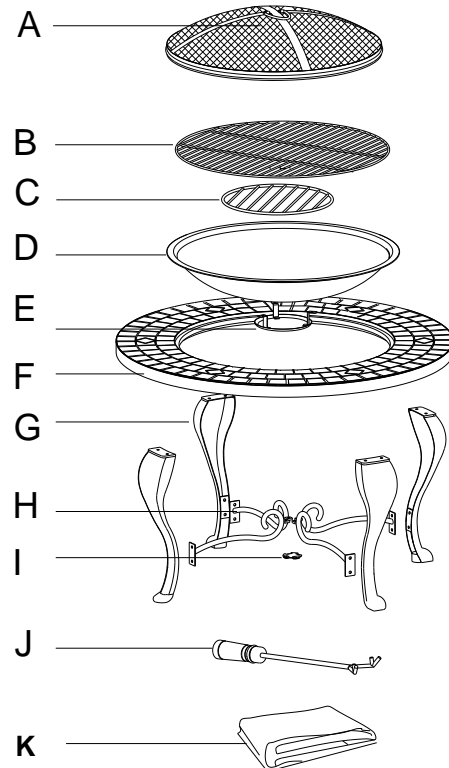


Assembly Instructions

Item# L-FT521PST-3A

Parts List:

No.	Description	Qty
A	Fire screen	1
B	Cooking grate	1
C	Grate	1
D	Fire bowl	1
E	Ash catcher	1
F	Slate top	1
G	Leg	4
H	Leg connector	4
I	Middle connect piece	1
J	Poker	1
K	PVC cover	1
AA	M6x15 bolt	12
BB	M5x10 bolt	3
CC	M6 flanged nut	12
DD	M5 flanged nut	3
EE	M6 flat washer	8
FF	M6/M5 wrench	1



Tools Required for Assembly:

Wrench (include) and Philips Screwdriver (Not included)



AA

BB

CC

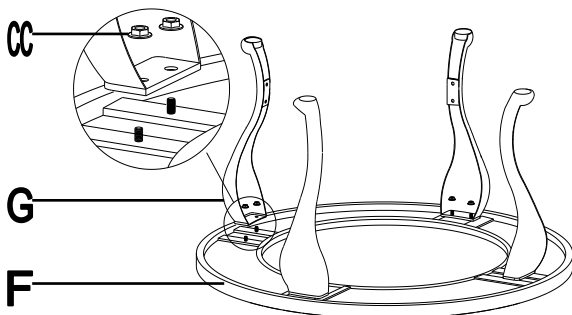
DD

EE

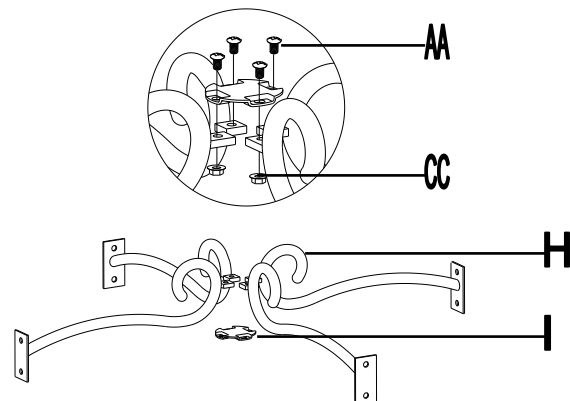
FF

Assembly instructions:

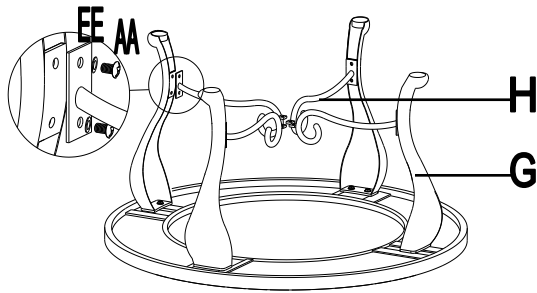
Step 1: Put Slate top (F) upside down on a soft, non-abrasive surface, connect Leg (G) to Slate top (F) with flanged nut (CC). **Please do not tighten the bolt here!**



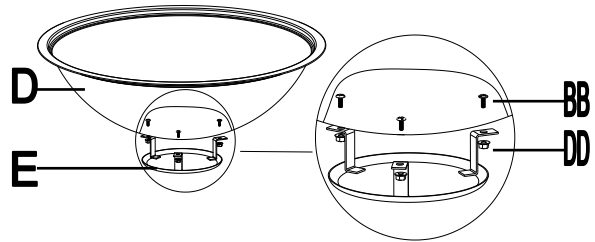
Step 2: Connect Leg connector (H) and Middle connect piece (I) with bolt (AA) and nut (CC). **Please do not tighten the bolt here!**



Step 3: Connect assembled Leg connector (H) and Leg (G) with bolt (AA) and washer (EE). **Tighten all bolts here.**

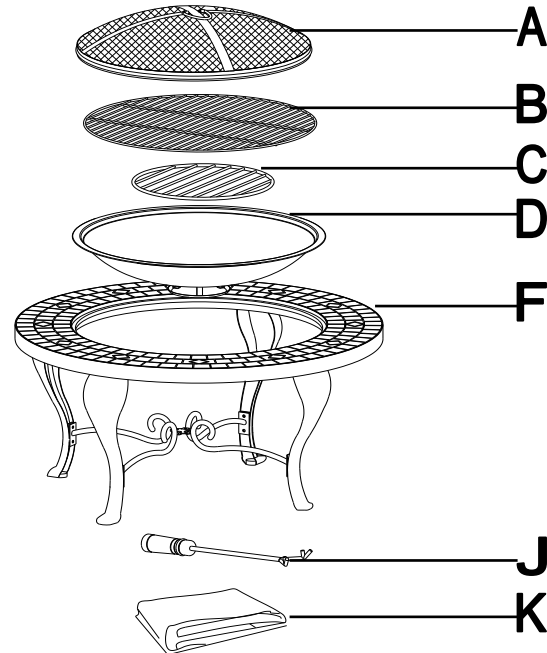


Step 4: Connect ash catcher (E) and fire bowl (D), tighten with bolt (BB) and flanged nut (DD).



Step 5: Turn over the whole assembled piece. Place Fire bowl (D), Grate (C), Cooking grate (B) and Fire screen (A) in order. Use Poker (J) and PVC cover (K) as necessary.

Now, your firepit is perfect ready for use.



Warnings and cautions:

- This fire bowl is intended for outdoor use only. Do not use on wooden decks.
- This fire bowl is intended to burn wood logs only. Do not burn leaves, or other combustible materials in the fire bowl.
- **NEVER LEAVE FIRE UNATTENDED!**
- The fire bowl is **HOT!** DO NOT TOUCH or allow children to play near the fire bowl when it is in use. Hot embers can fly out of the basin in breezy conditions. A fire extinguisher should be readily available.
- When the fire bowl is in use, the handle on the mesh screen can reach extreme temperatures that can cause serious injury to an unprotected hand. Use a poker or an appropriate heat resistant glove or pad when handling.
- To avoid destroying the finish, please handle the surface by using a soft cloth instead of your bare hands.
- **DO NOT TOUCH** the surface of the fire bowl when in use, as burns may result.
- **CARBON MONOXIDE HAZARD!**
- **DO NOT** use in the vicinity of flammable objects.
- Check local fire regulations and municipal by-laws for safe use.

Care & Maintenance:

1. Before using, clean the product completely with a soft dry towel.
2. To extend the life of your fire pit, clean the bowl after each use and cover the unit to protect it from the elements, cover is not included. Due to natural properties of steel material, if rust develops, please clean rust area by sanding slightly, then wipe thoroughly and apply touch-up paint if possible.

Limited Warranty:

This limited warranty is extended to the original purchaser and applies to defects in materials and workmanship of your item provided the item is maintained with care and used only for personal, residential purposes.

The item is warranted to be free from defects in material or workmanship for a period of **6 months**. If any defect is found, please call our customer service department at 1-866-578-6569 for help. The manufacturer will not cover transportation or delivery costs, or compensate the individual or any outside party for assembling or disassembling the product. This warranty gives you specific legal rights, and you may also have other rights which vary from state to state.

Service:

For technical assistance on assembly or replacement parts call Sunjoy Industries at 1(866) 578-6569 from 8:30 AM to 5:30 PM EST or Email customer.care@sunjoydirect.com or visit www.sunjoydirect.com to place your order or fax your parts replacement order form together with your purchase receipt to 1 (740) 283-3549 for assistance.

Made in China