

HOME DECORATORS COLLECTION

SK18498 ARTISAN CONSOLE TABLE W/4 DRAWERS 30"Hx42"Wx15.75"D

INV#92241

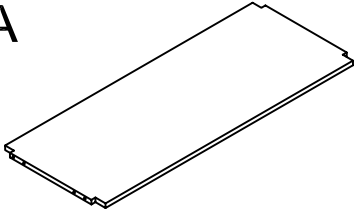
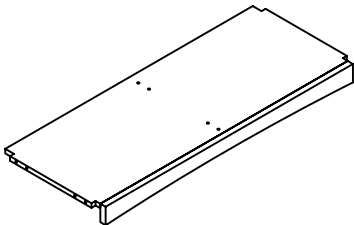
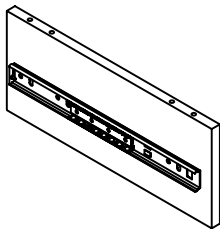
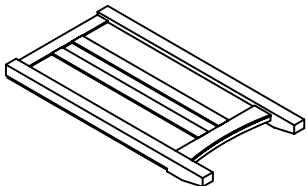
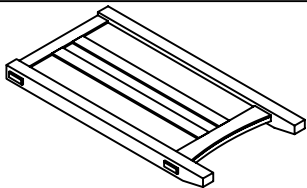
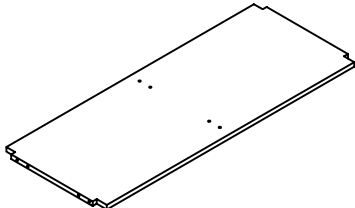
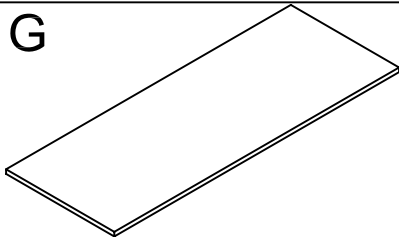
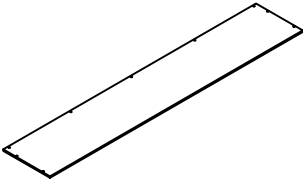
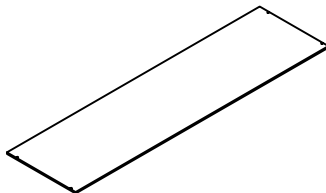
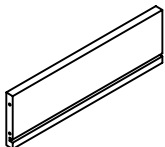
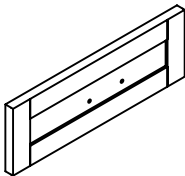
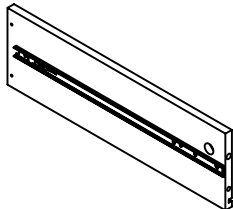
ASSEMBLY INSTRUCTIONS

Made In China

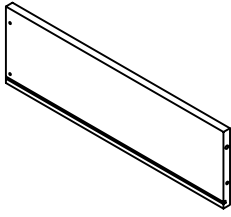


Thank you for purchasing this quality product. Be sure to check all packing material carefully for small parts, which may have come loose inside the carton during shipment. Count all parts and material hardware, then compare with parts list to be sure all parts are present. If any parts are missing or damaged, phone, fax, or mail to our Customer Service Department for efficient and speedy service. Please indicate the model number and code letter of part(s) needed.

IMPORTANT NOTE: Follow instructions listed below in proper sequence as numbered to assure fast, easy and correct assembly.

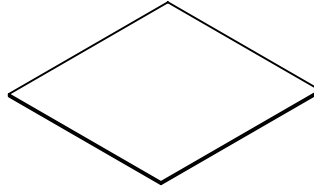
PARTS LIST		
A 	B 	C 
LOWER FIXED PANEL-1PC	BOTTOM PANEL-1PC	PARTITION-2PCS
D 	E 	F 
LEFT SIDE PANEL-1PC	RIGHT SIDE PANEL-1PC	UPPER FIXED PANEL-1PC
G 	H 	I 
TOP PANEL-1PC	UPPER AND LOWER BACK PANEL-2PCS	CENTER BACK PANEL-1PC
J 	K 	L 
DRAWER BACK PANEL-4PCS	DRAWER FRONT PANEL-4PCS	DRAWER LEFT SIDE PANEL-4PCS

M



DRAWER RIGHT SIDE
PANEL-4PCS

N



DRAWER BOTTOM
PANEL-4PCS

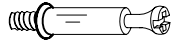
NOTE:THE SURFACE WITH THE STICKER IS THE BACK SIDE

a



WOOD DOWEL-32PCS

b



CAM LOCK BOLT-32PCS

c



CAM LOCK-32PCS

d



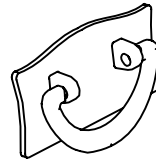
5/8"L ROUND HEAD SCREW-28PCS

e



SHORT PLASTIC COVER-8PCS

f



HANDLE-4PCS

g



METAL PLATE-6PCS

h

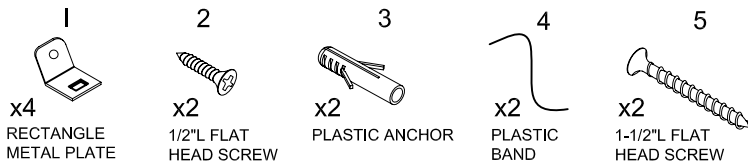


1" FLAT HEAD SCREW-16PCS

i



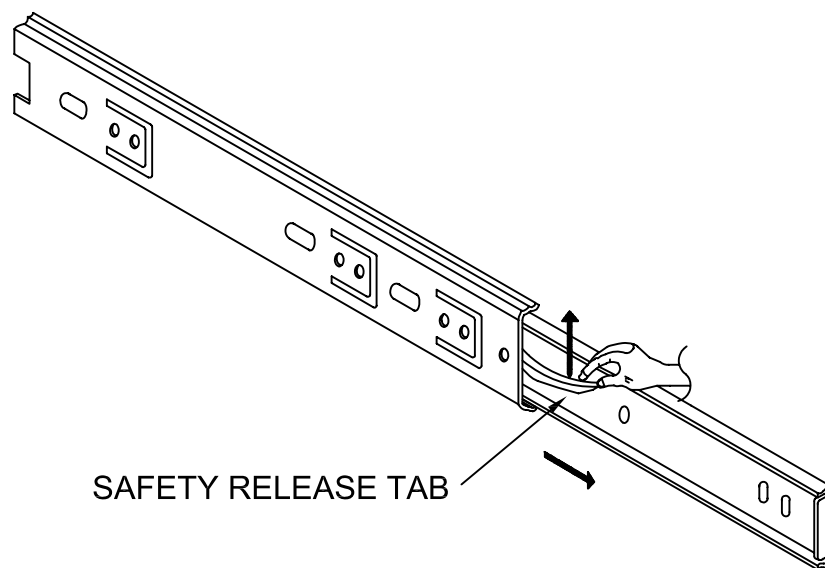
HANDLE BOLT-8PCS



ANTI-TIPPING HARDWARE PACKAGE

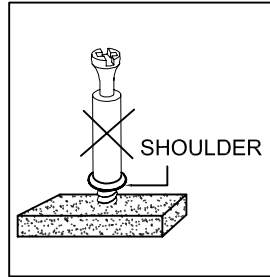
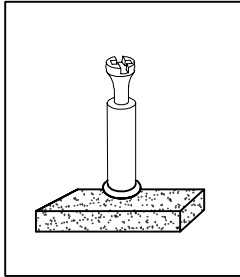
NOTE:THE SURFACE WITH THE STICKER IS THE BACK SIDE

HOW TO SEPARATE GLIDES



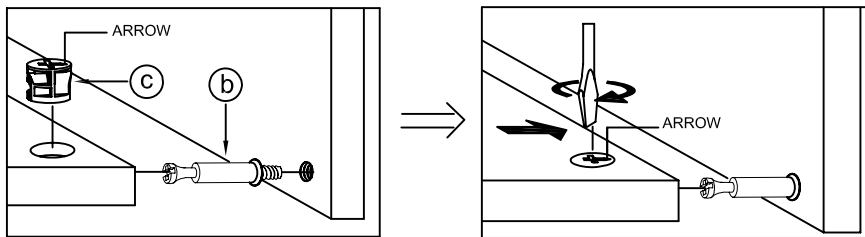
PRIOR TO ASSEMBLY, WE SUGGEST SEPARATING THE INNER GLIDES FROM THE OUTER-GLIDES, SIMPLY PULL THE LEFT/RIGHT INNER GLIDES FROM THE OUTER GLIDES EXPOSING A SMALL BLACK SAFETY RELEASE TAB, BY PUSHING THE SAFETY RELEASE TAB. YOU WILL BE ABLE TO SEPARATE THE GLIDES.

NOTE: • UPON OPENING, THOROUGHLY CLEAN ALL WOOD SURFACES TO REMOVE DUST AND DIRT THAT MAY HAVE SETTLED ONTO THE FINISH DURING SHIPMENT. IN ORDER TO PREVENT DAMAGE DURING ASSEMBLY. PLEASE ASSEMBLE THIS ITEM WITH AT LEAST TWO PEOPLE.



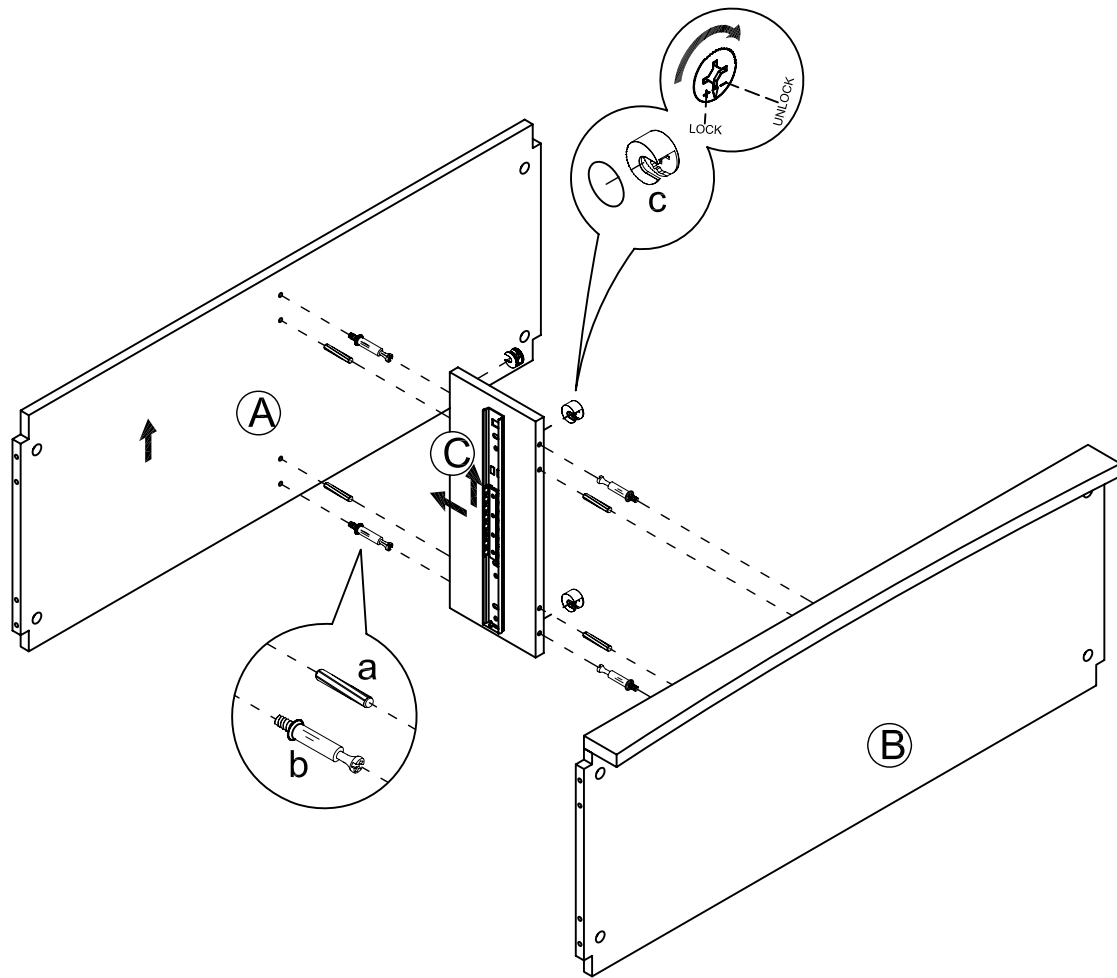
NOTE: TURN THE CAM-BOLT SCREWS UNTIL THEY ARE TIGHT, THE SHOULDER SHOULD BE AGAINST THE SURFACE OF THE PART.

HOW TO USE THE CAM-TOOL



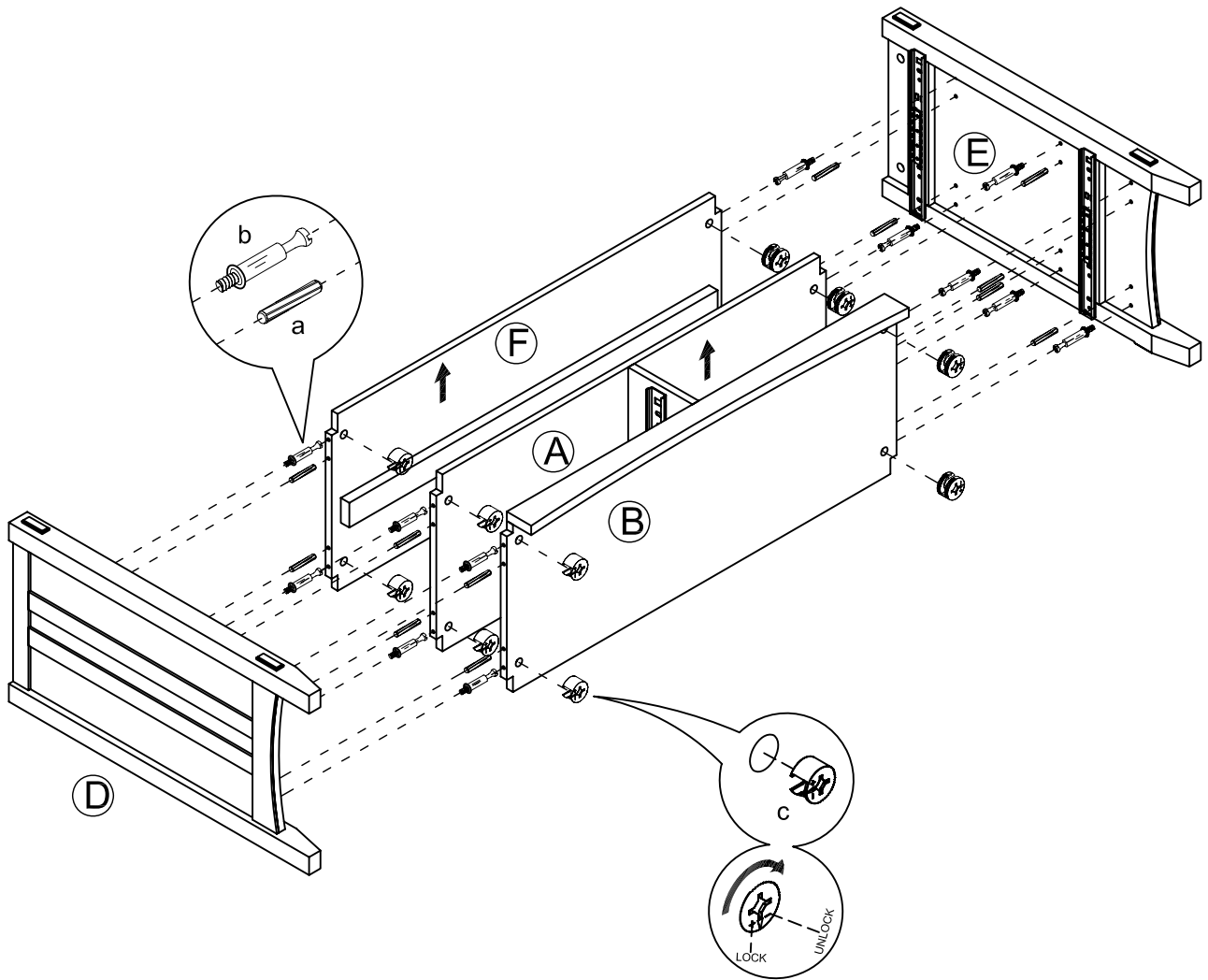
NOTE: • THE ARROWS ON THE HIDDEN CAM-LOCKS SHOULD POINT TO THE CAM-BOLTS.

FIG 1



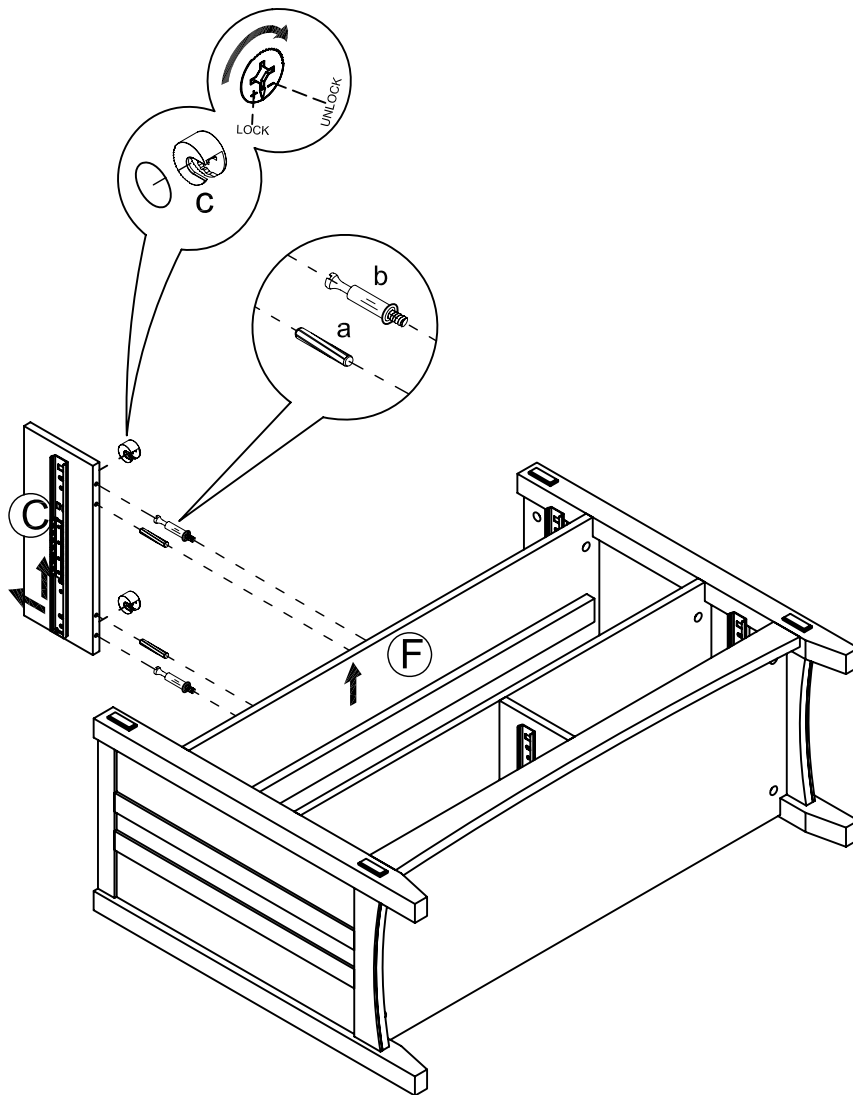
- INSTALL THE WOOD DOWEL (a) AND THE CAM LOCK BOLT (b) INTO THE LOWER FIXED PANEL (A) AND THE BOTTOM PANEL (B).
- JOIN THE LOWER FIXED PANEL (A) AND THE BOTTOM PANEL (B) TO THE PARTITION (C) BY USING THE WOOD DOWEL (a) FIRST.
- ONCE JOINED, TIGHTEN CAM LOCK (c) ONTO CAM LOCK BOLT (b) USING PRE-DRILLED HOLES.

FIG 2



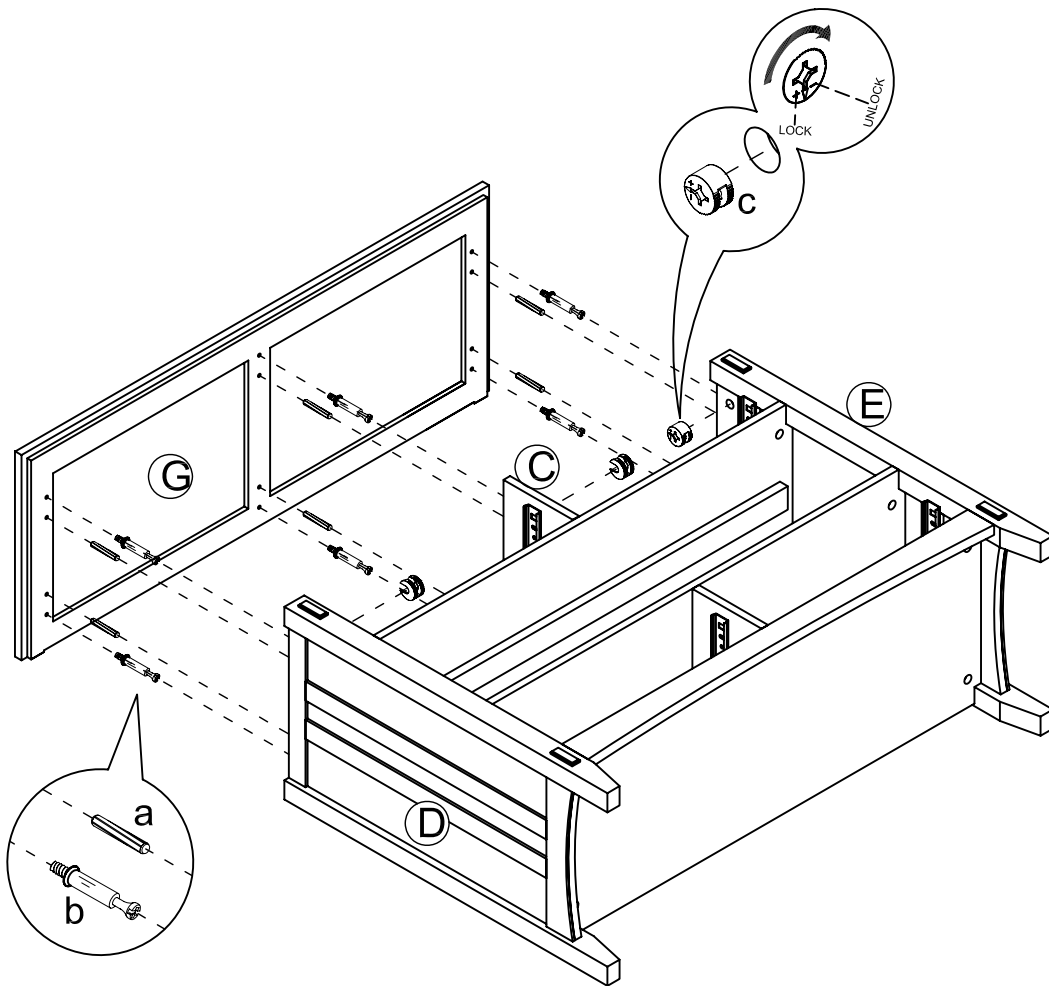
- INSTALL THE WOOD DOWEL (a) AND THE CAM LOCK BOLT (b) INTO THE LEFT SIDE PANEL (D) AND THE RIGHT SIDE PANEL (E) .
- JOIN THE LEFT SIDE PANEL (D) AND THE RIGHT SIDE PANEL (E) TO THE UPPER FIXED PANEL (F) AND THE ASSEMBLED PART BY USING THE WOOD DOWEL (a) FIRST.
- ONCE JOINED, TIGHTEN CAM LOCK (c) ONTO CAM LOCK BOLT (b) USING PRE-DRILLED HOLES.

FIG 3



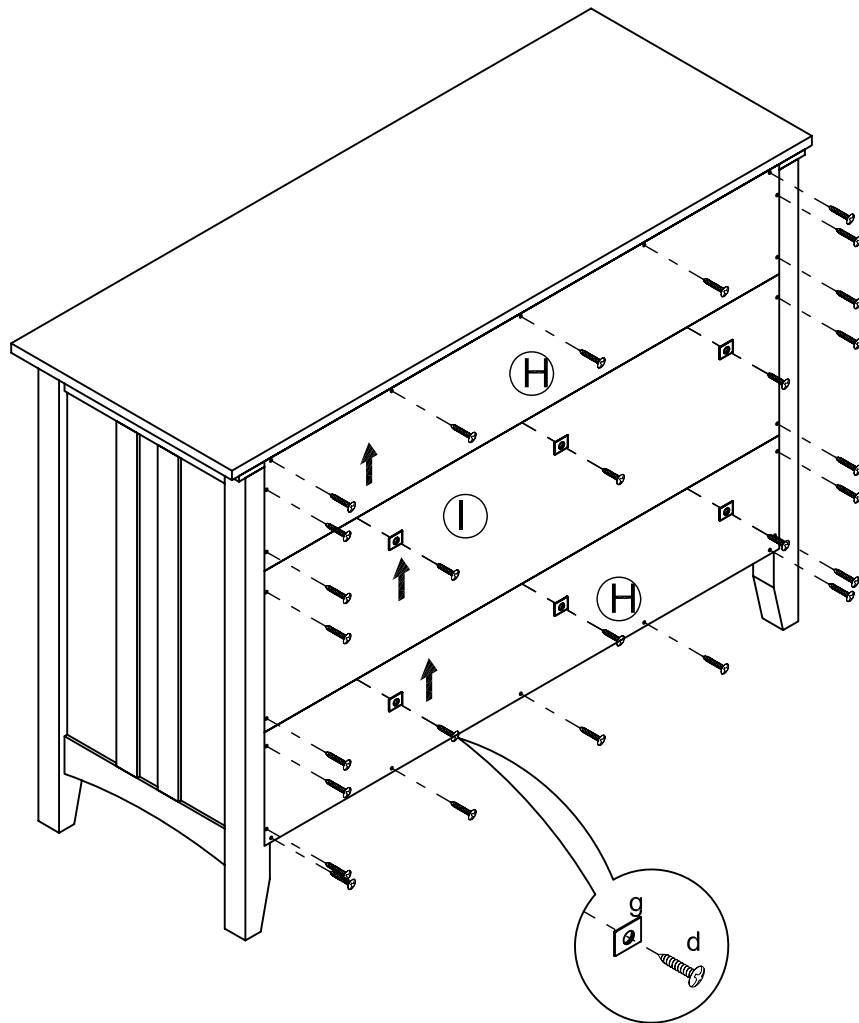
- INSTALL THE WOOD DOWEL (a) AND THE CAM LOCK BOLT (b) INTO THE UPPER FIXED PANEL (F).
- JOIN THE PARTITION (C) TO THE ASSEMBLED PART BY USING THE WOOD DOWEL (a) FIRST.
- ONCE JOINED, TIGHTEN CAM LOCK (c) ONTO CAM LOCK BOLT (b) USING PRE-DRILLED HOLES.

FIG 4



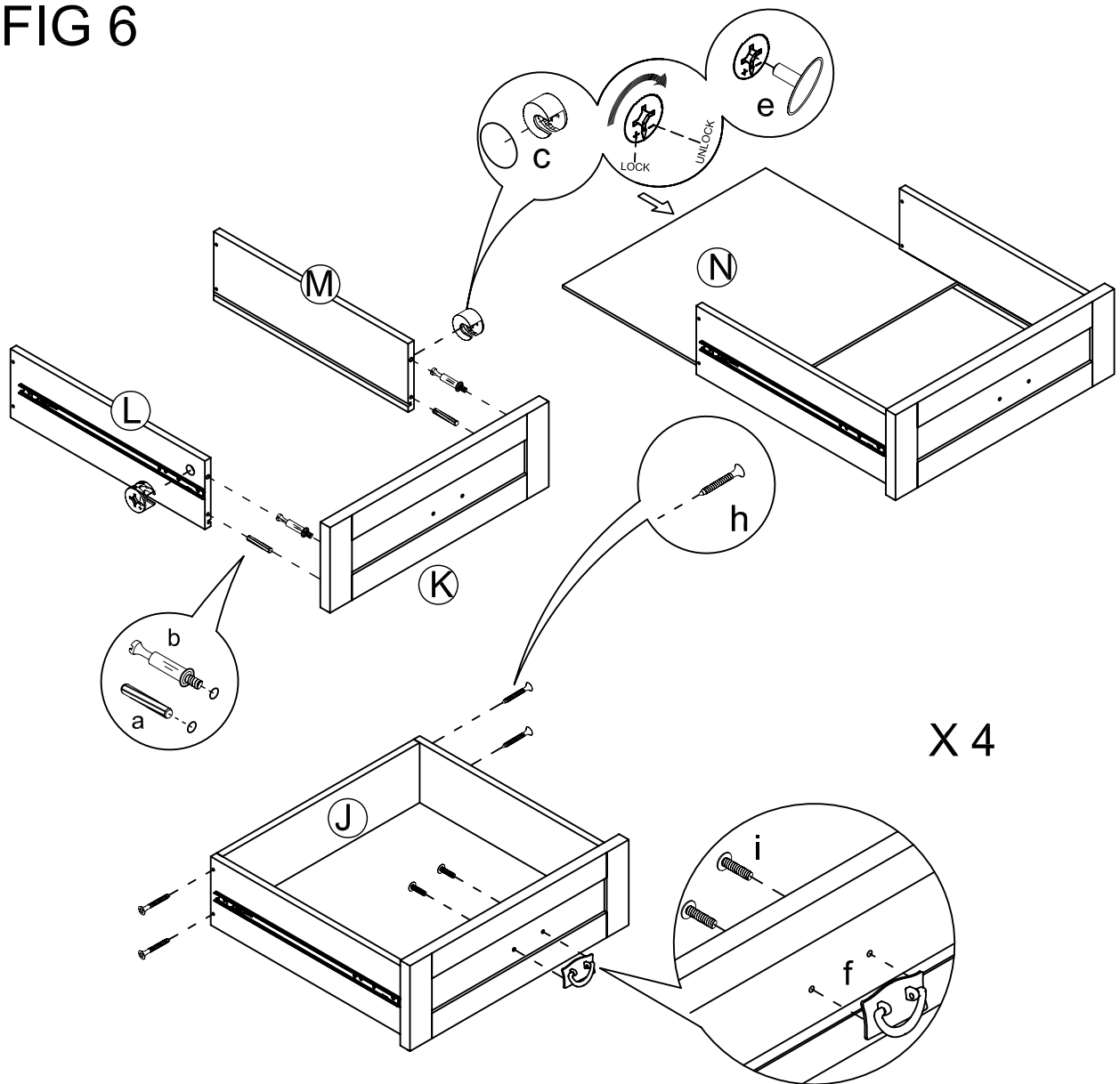
- INSTALL THE WOOD DOWEL (a) AND THE CAM LOCK BOLT (b) INTO THE TOP PANEL (G) .
- JOIN THE TOP PANEL (G) TO THE ASSEMBLED PART BY USING THE WOOD DOWEL (a) FIRST.
- ONCE JOINED, TIGHTEN CAM LOCK (c) ONTO CAM LOCK BOLT (b) USING PRE-DRILLED HOLES.

FIG 5



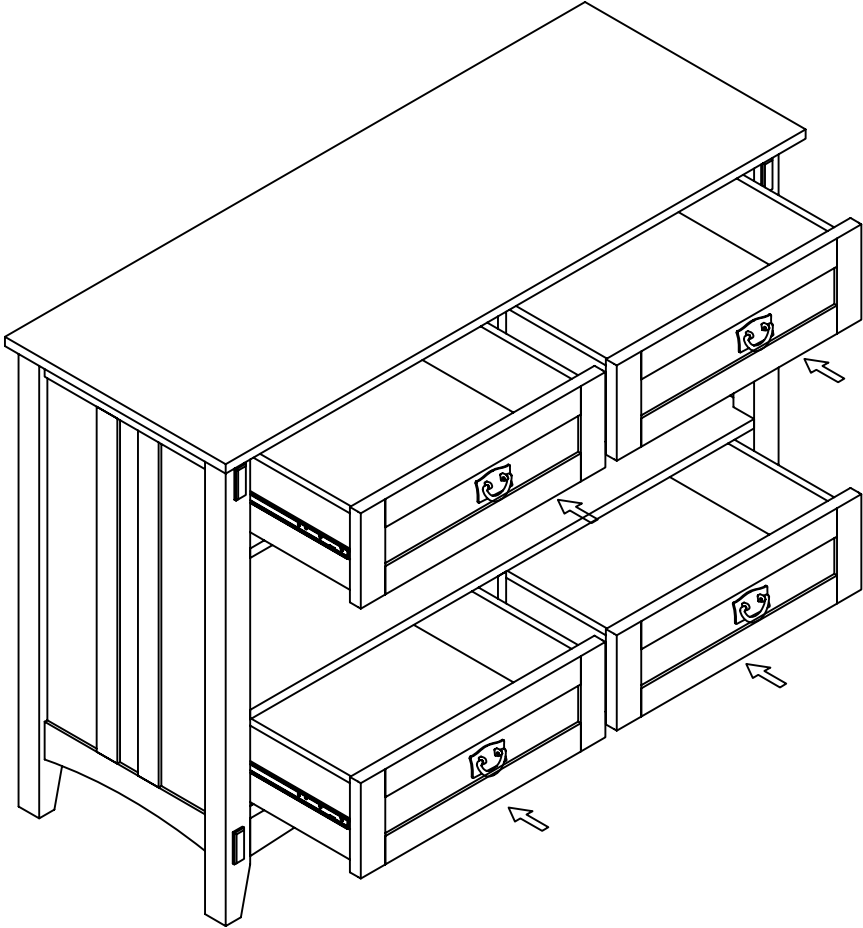
- TIGHTEN THE UPPER AND LOWER BACK PANEL (H), THE CENTER BACK PANEL (I), AND THE METAL PLATE (g) TO THE ASSEMBLED PART BY USING THE 5/8" L ROUND HEAD SCREW (d).

FIG 6



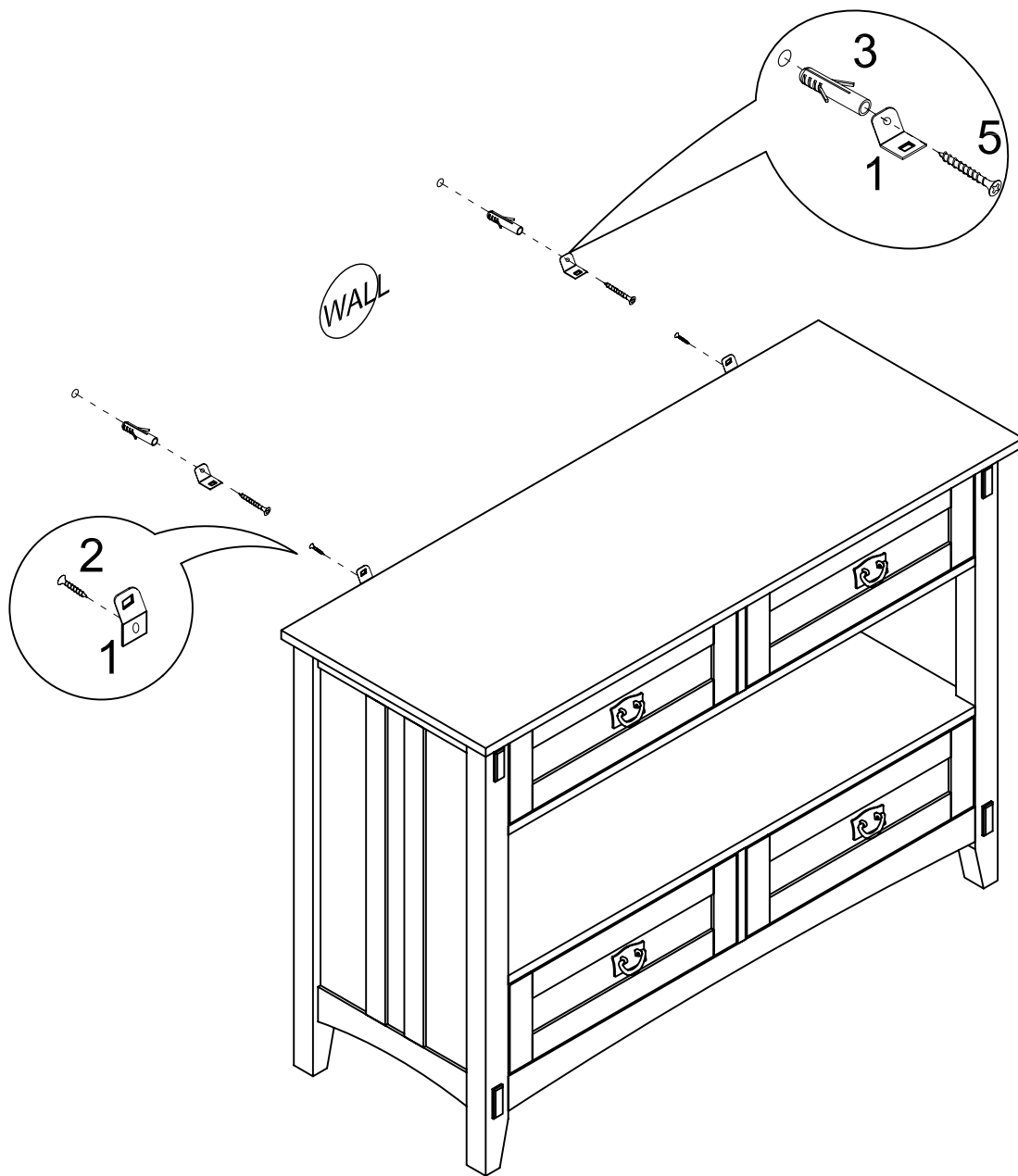
- INSTALL THE WOOD DOWEL (a) AND THE CAM LOCK BOLT (b) INTO THE DRAWER FRONT PANEL (K).
- JOIN THE DRAWER LEFT SIDE PANEL (L) AND THE DRAWER RIGHT SIDE PANEL (M) TO THE DRAWER FRONT PANEL (K).
- ONCE JOINED, TIGHTEN CAM LOCK (c) ONTO CAM LOCK BOLT (b) USING PRE-DRILLED HOLES.
- COVER CAM HOLES WITH THE SHORT PLASTIC COVER (e).
- SLIDE THE DRAWER BOTTOM PANEL (N) INTO THE GROOVES ON THE DRAWER LEFT SIDE PANEL (L) AND THE DRAWER RIGHT SIDE PANEL (M).
- JOIN THE DRAWER BACK PANEL (J) TO THE ASSEMBLED DRAWER PART AND TIGHTEN THE DRAWER BACK PANEL (J) BY USING THE 1" FLAT HEAD SCREW (h) THROUGH THE PRE-DRILLED HOLES ON THE SIDE PANELS.
- TIGHTEN THE HANDLE (f) TO THE DRAWER FRONT PANEL (K) BY USING THE HANDLE BOLT (i).
- REPEAT STEPS ABOVE FOR THE OTHER THREE DRAWERS.

FIG 7



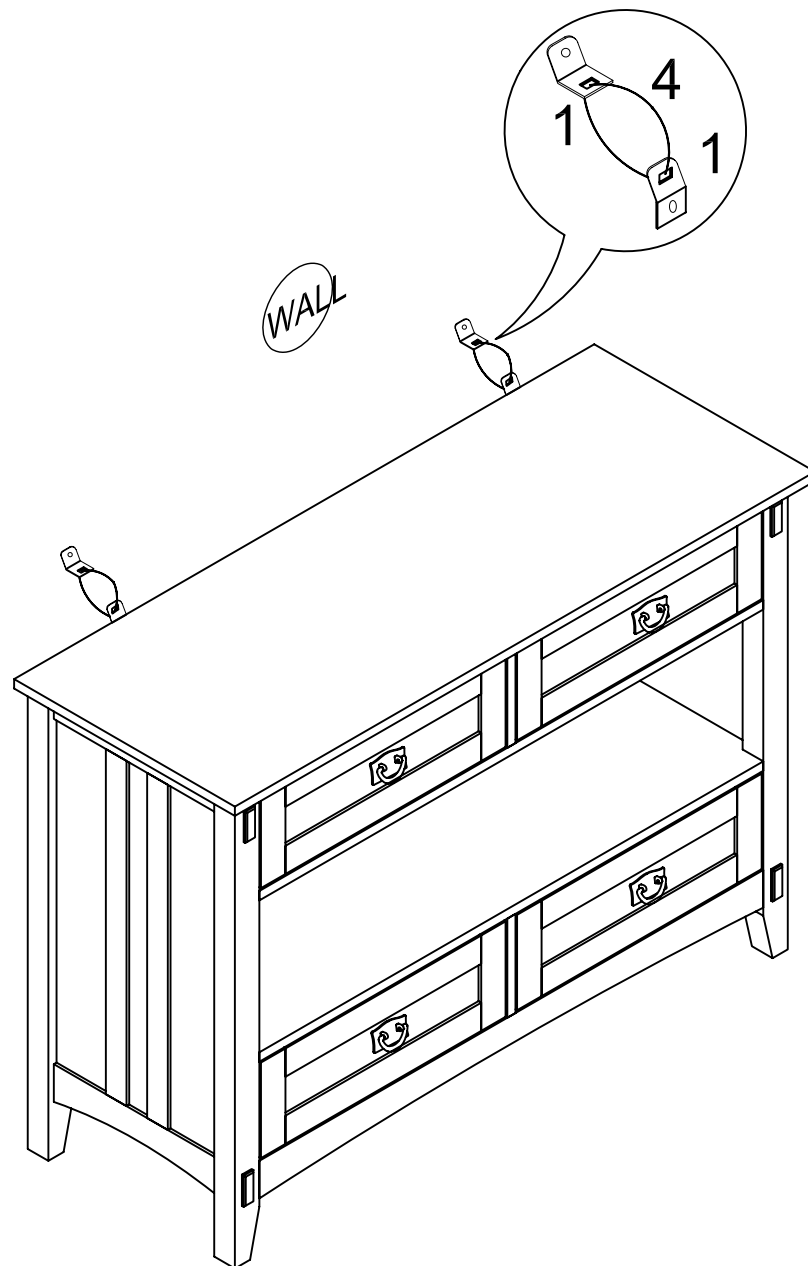
• INSERT DRAWERS INTO THE ASSEMBLED UNIT.

FIG 8



- TIGHTEN THE RECTANGLE METAL PLATE (1) TO THE REAR OF THE TOP PANEL (G) BY USING 1/2" FLAT HEAD SCREW (2).
- PLACE THE ASSEMBLED CONSOLE AT THE DESIRED POSITION. MARK THE INSERTION POINTS FOR THE PLASTIC ANCHOR (3).
- USING THE PROPER HARDWARE FOR YOUR WALL TYPE, DRILL 1/4" HOLES INTO THE WALL.
- TIGHTEN THE RECTANGLE METAL PLATE (1) TO THE PLASTIC ANCHOR (3) BY USING THE 1-1/2" FLAT HEAD SCREW (5).

FIG 9



- USING THE PLASTIC BAND (4) CONNECT TWO RECTANGLE METAL PLATES (1).