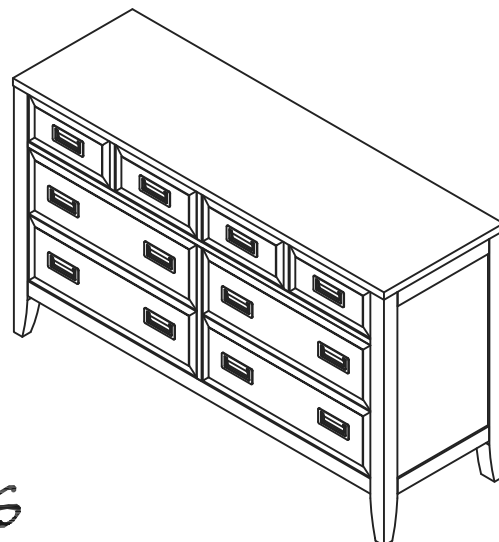


88 5515 43 Dresser



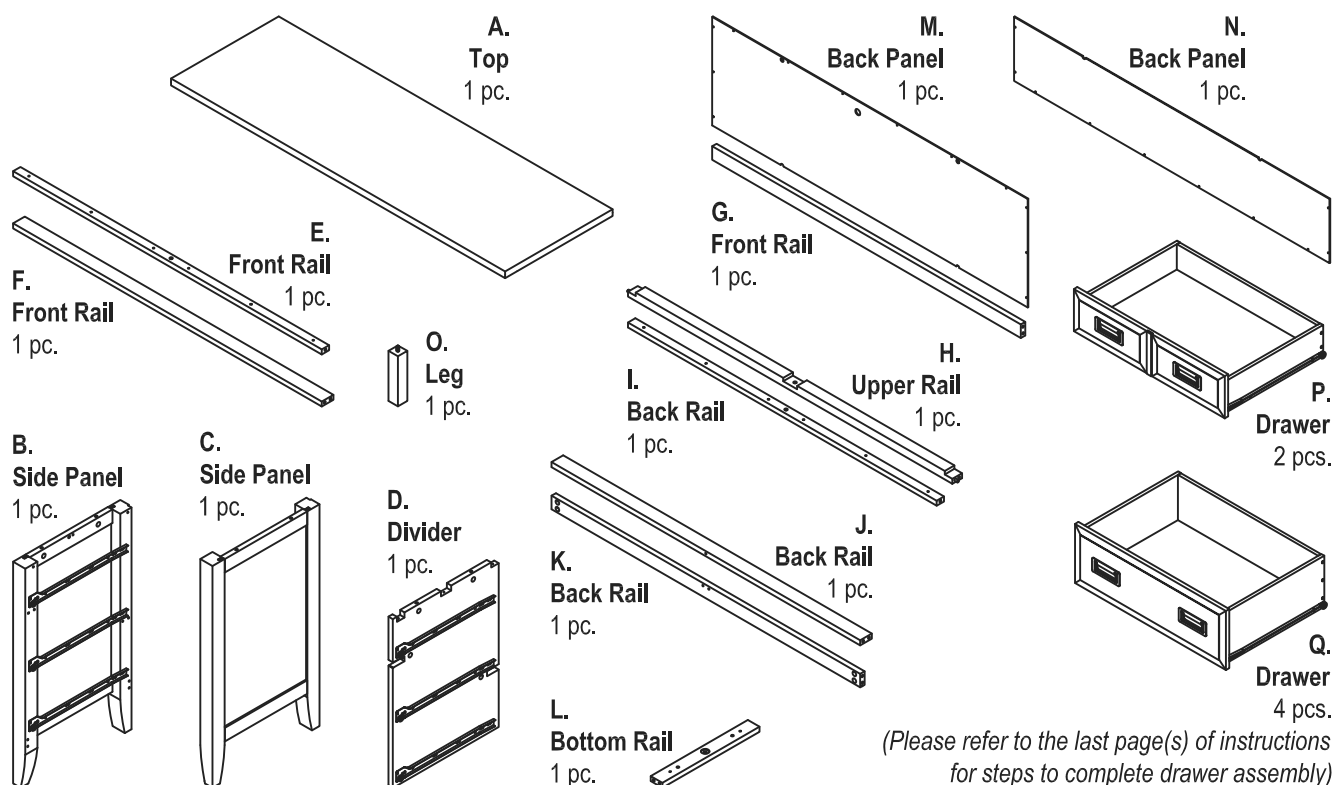
*Home
Styles*

IMPORTANT NOTE

Carefully remove all the Parts from the carton and put them individually on a soft cloth to prevent scratches or other damage occurring to the Parts.

We have taken great care in the design of this product and request that you carefully and strictly follow our assembly instructions to ensure a completed product as it was designed.

Part List



Hardware List



Cam Lock Screw
34 pcs. (+4 extra)



Cam Lock
34 pcs. (+4 extra)



(M3x38)
1 1/2" Round Head Screw
1 pc. (+1 extra)



(M4x32)
1 1/4" Round Head Screw
17 pcs. (+1 extra)



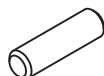
(M3x13)
1/2" Round Head Screw
29 pcs. (+1 extra)



(M3x32)
1 1/4" Flat Head Screw
82 pcs. (+1 extra)



(M3x19)
3/4" Flat Head Screw
44 pcs. (+1 extra)



Wooden Dowel
2 pcs. (+1 extra)



Flat Washer
8 pcs. (+1 extra)



Anchor
1 pc. (+1 extra)



Tipping Restraint
1 pc.

Tools Required For Assembly : Phillips screwdriver

Tools Recommended For Assembly : Level

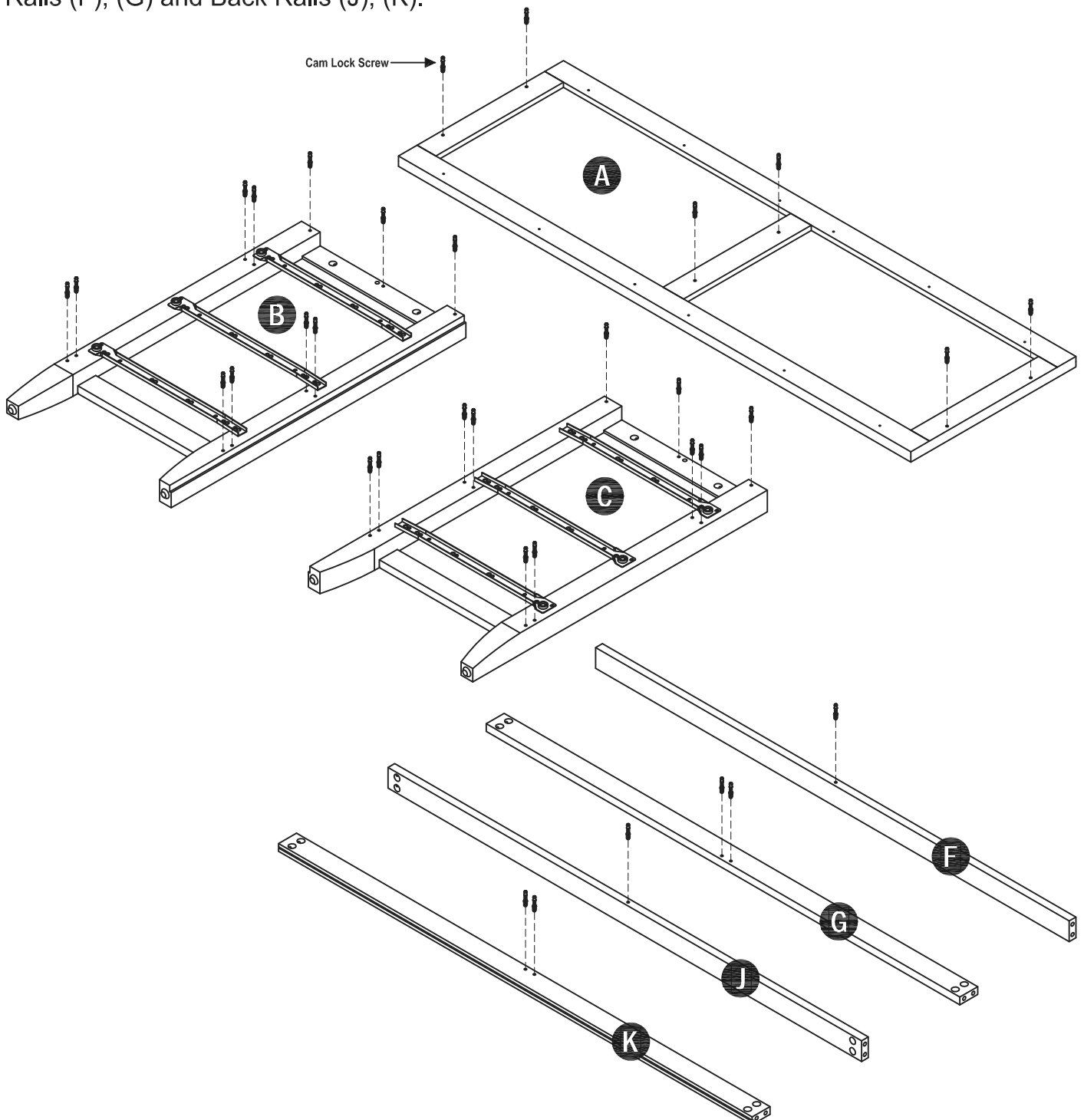
Home Styles Consumer Assistance: www.homestyles-furniture.com,
servicedesk@homestyles-furniture.com, 888-680-7460, 877-831-0319

IMPORTANT

- * Do not tighten up all the screws until each Part is properly assembled.
- * Use a soft cloth between these Parts and the floor.
- * After assembly, item must be level to work properly. Use the included adjustable levelers to level.

STEP 1

Insert Cam Lock Screws into the pre-drilled holes of Top (A), Side Panels (B), (C), Front Rails (F), (G) and Back Rails (J), (K).



STEP 2

Attach Front Rail (E), Upper Rail (H), Back Rail (I) and Bottom Rail (L) to Divider (D) with Wooden Dowels and 1 1/4" Round head Screws.

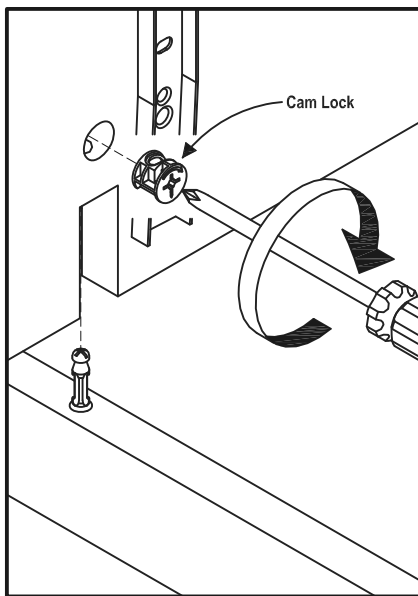
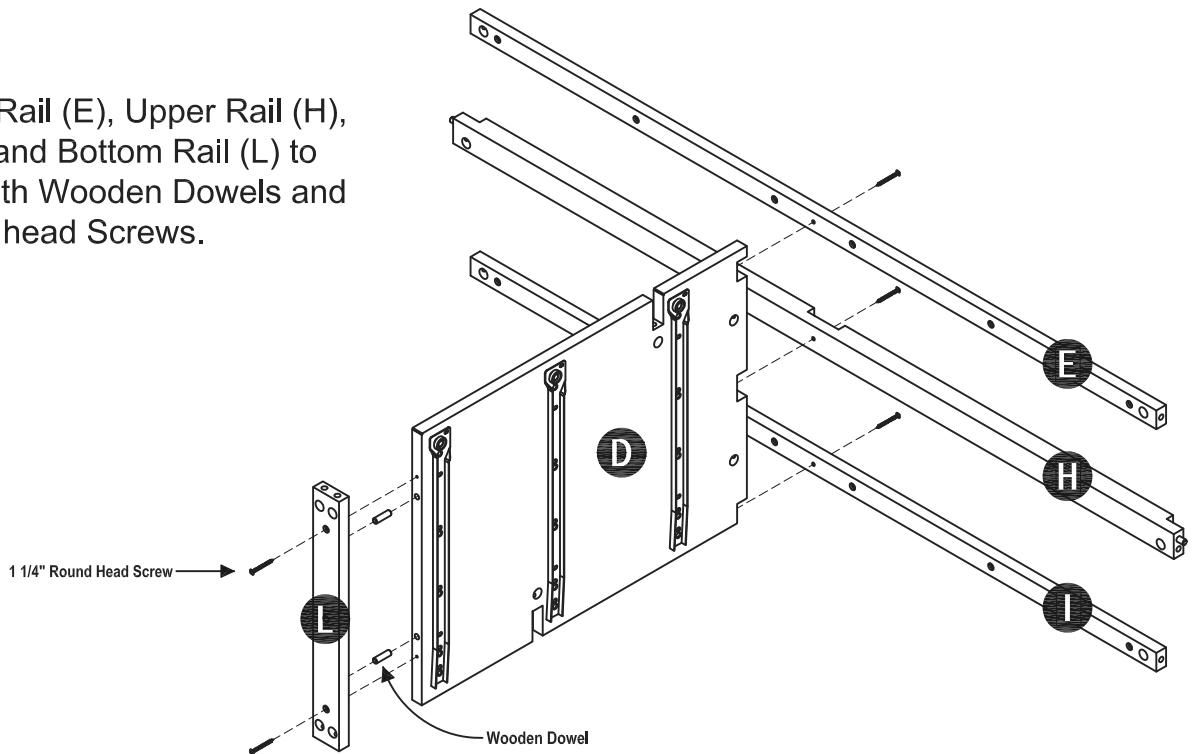
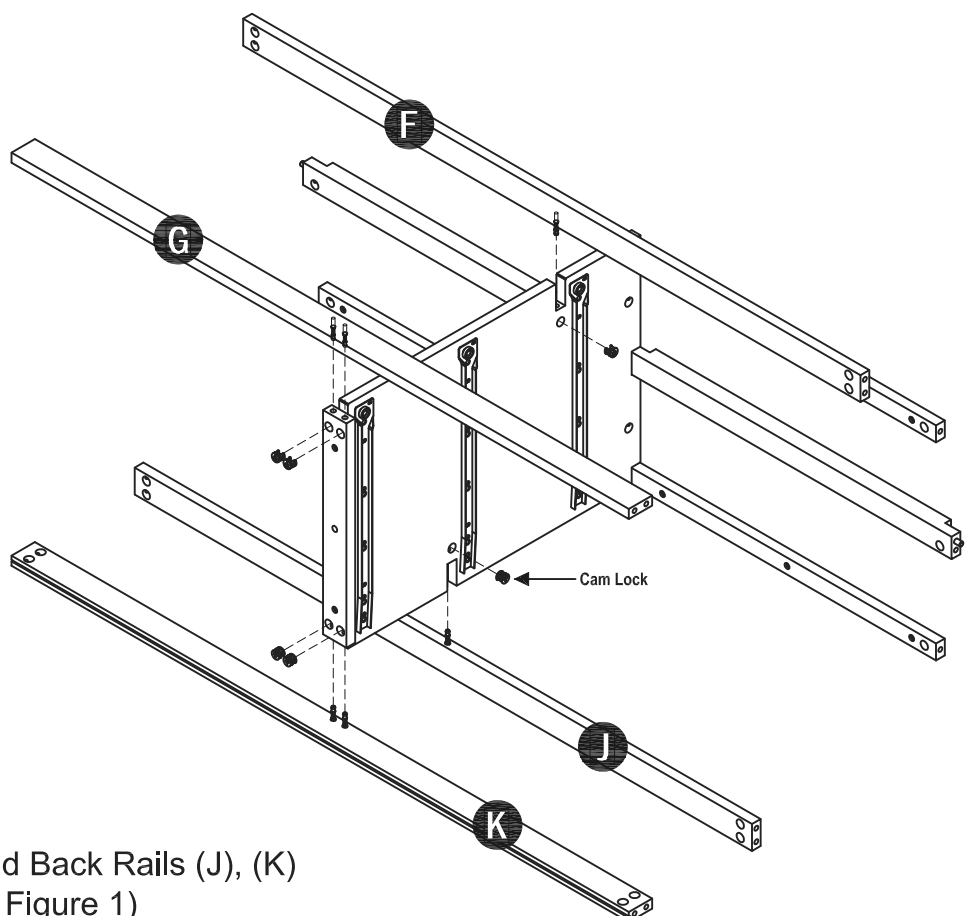


Figure 1



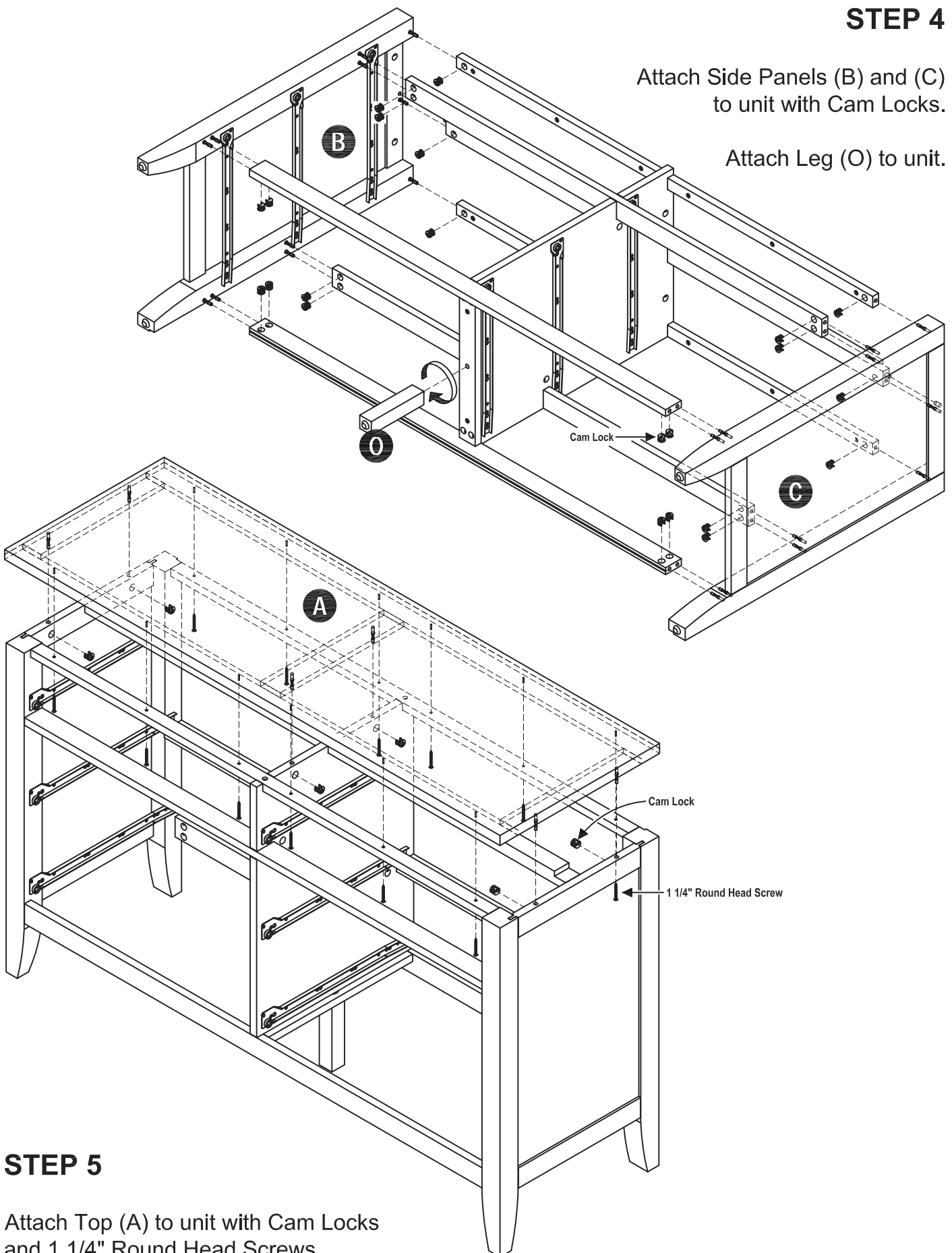
STEP 3

Attach Front Rails (F), (G) and Back Rails (J), (K) to unit with Cam Locks. (See Figure 1)

STEP 4

Attach Side Panels (B) and (C) to unit with Cam Locks.

Attach Leg (O) to unit.



STEP 5

Attach Top (A) to unit with Cam Locks and 1 1/4" Round Head Screws.

STEP 6

To level the unit, adjust the adjustable levelers on the bottom of the legs. (See Figure 2)

Note: Unit must be level to work properly.

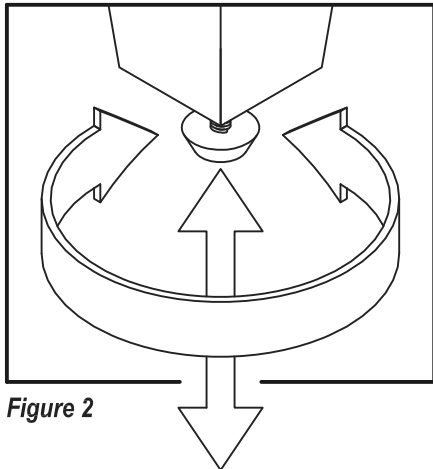
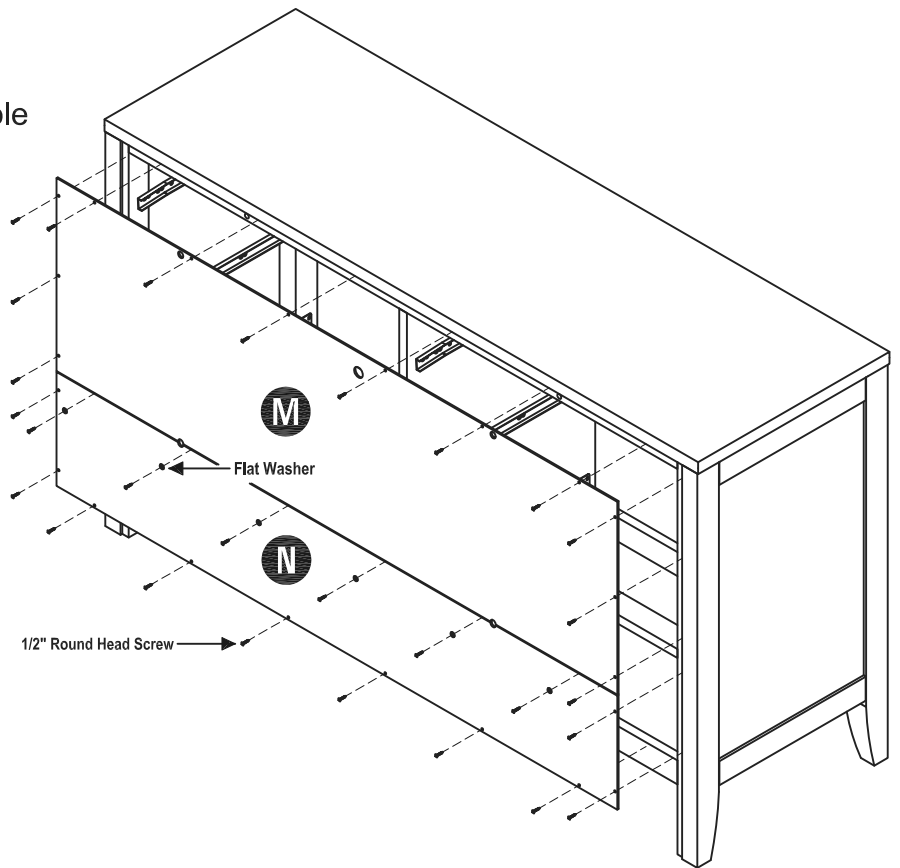


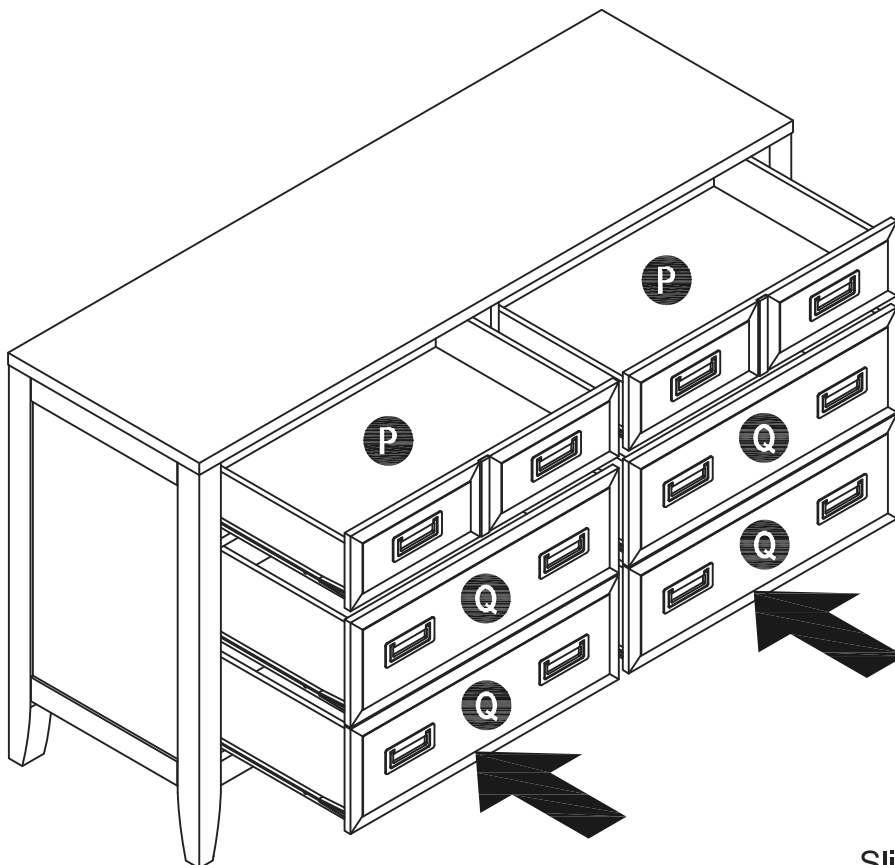
Figure 2



STEP 7

Attach Back Panels (M) and (N) to unit with Flat Washers and 1/2" Round Head Screws.

Note: Please make sure unit is level before tightening these screws.



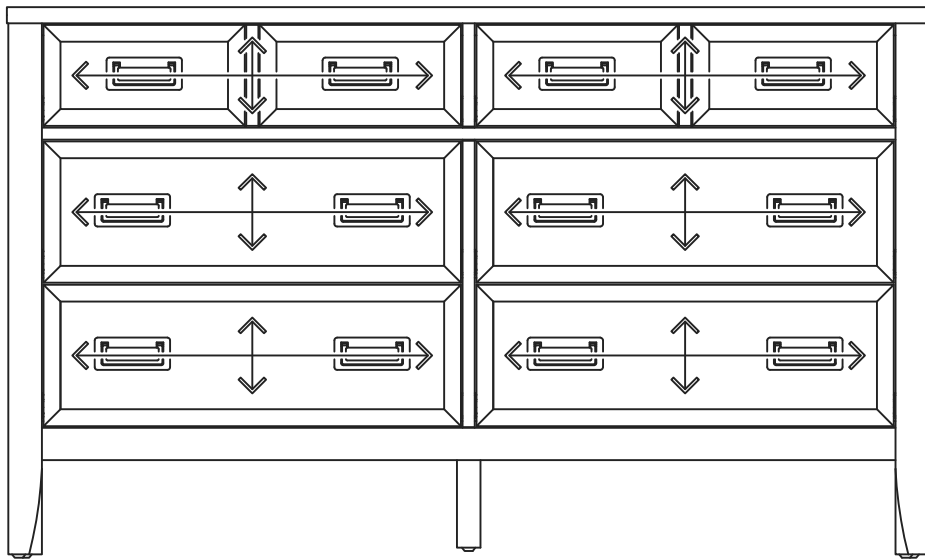
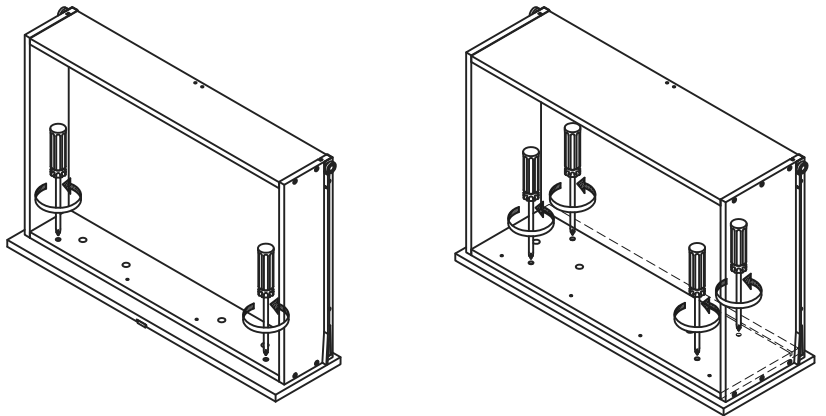
STEP 8

Slide Drawers (P) and (Q) into place.

Note: Follow the steps on the next page to use 3/4" Flat Head Screws to complete drawer assembly.

STEP 9

Loosen slightly the screws pre-installed on the back of the drawer fronts.

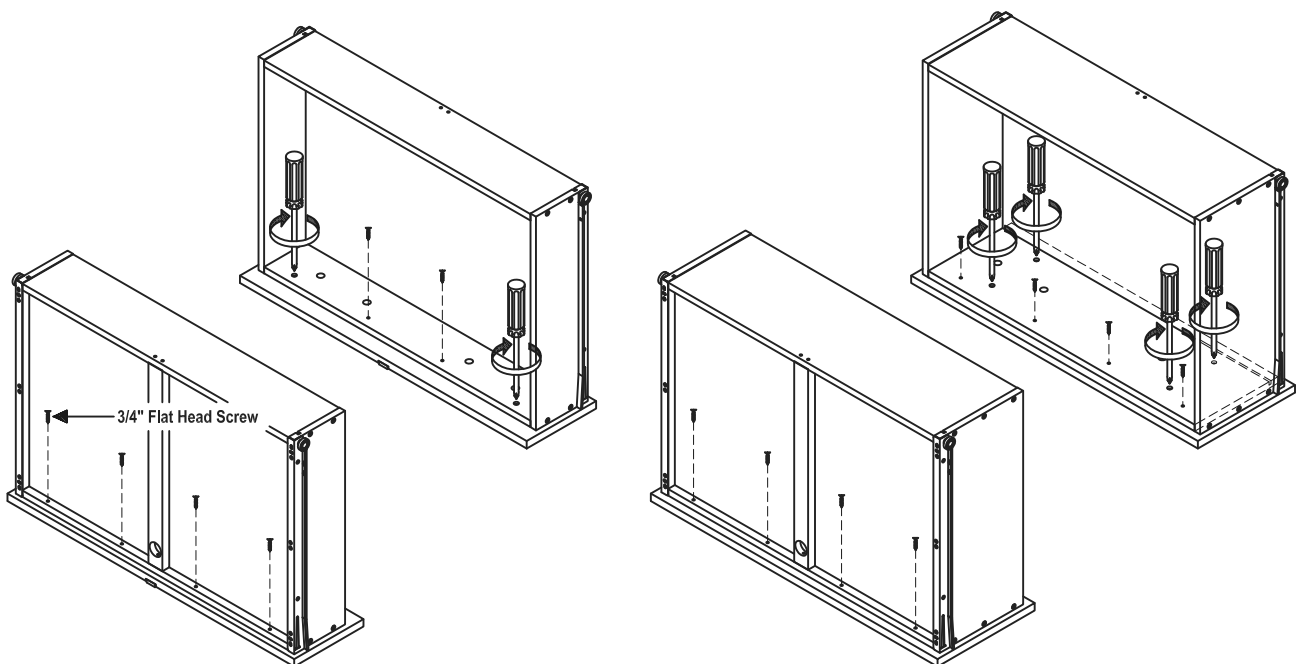


STEP 10

Insert the drawer into the unit, then adjust the drawer front panel left or right and up or down until the drawer gaps look proportional.

STEP 11

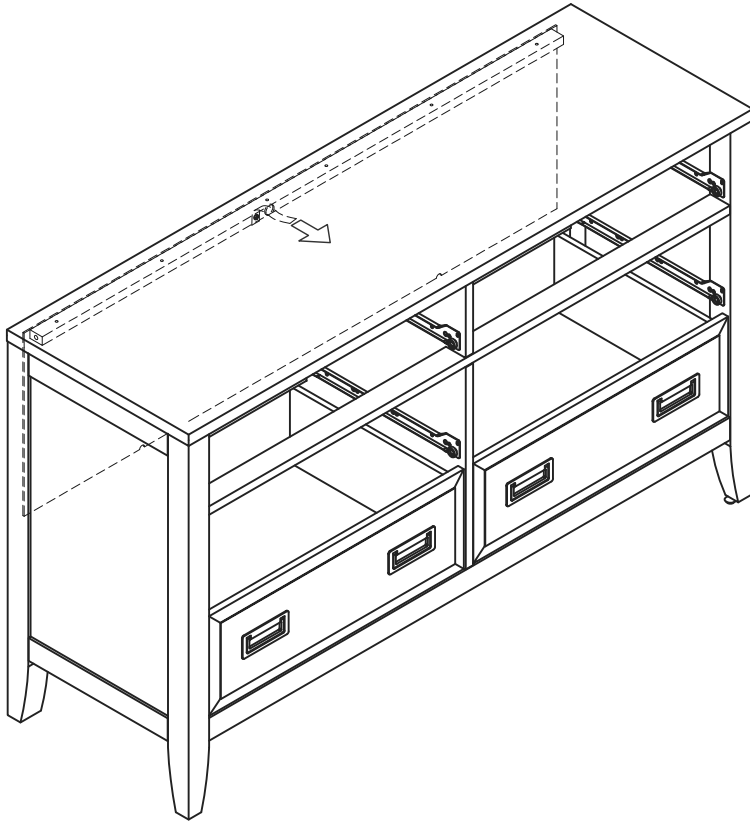
Pull the drawer open slowly and re-tighten the screws from Step 9. Make sure the front panel does not move and lock the drawer front panel into position with 3/4" Flat Head Screws.



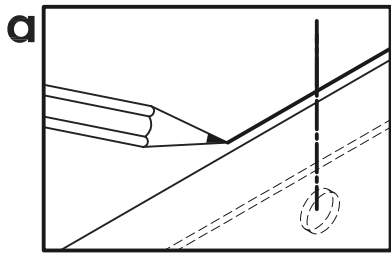
Note: These 3/4" Flat Head Screws on this page must be installed to complete the drawer assembly.

ATTENTION!

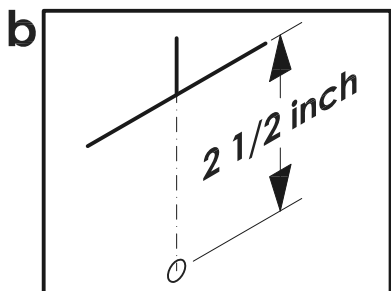
For safety reasons, please follow these instructions to prevent the unit from tipping over.



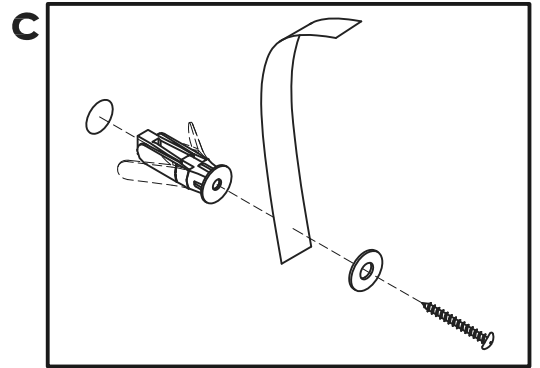
Remove Drawers (P) and (Q) from unit.



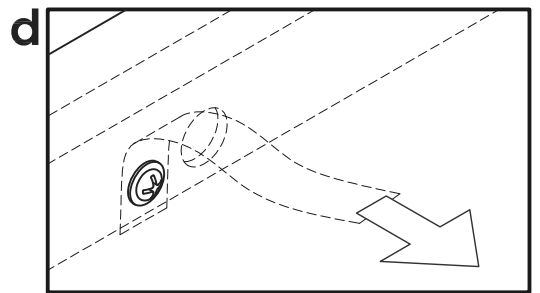
Place the unit on the wall at desired location. Mark with pencil to show the position of the hole.



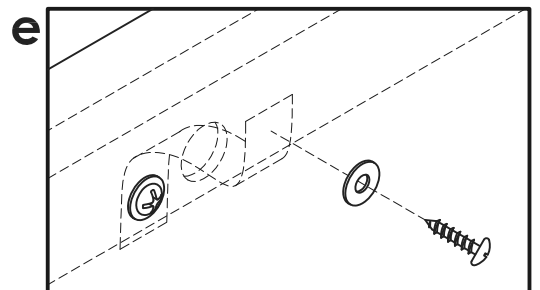
Move unit. Drill a 1/2" hole in the wall, 2 1/2 inches down and directly below the mark.



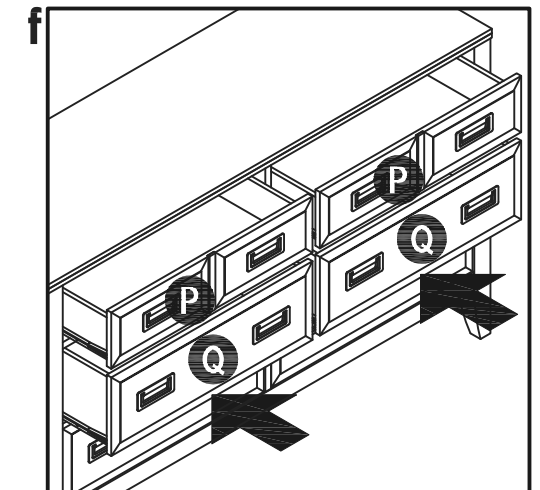
Attach Tipping Restraint to the wall using 1 1/2" Round Head Screw, Flat Washer & Anchor.



Insert Tipping Restraint to unit through the hole of Back Panel (J).

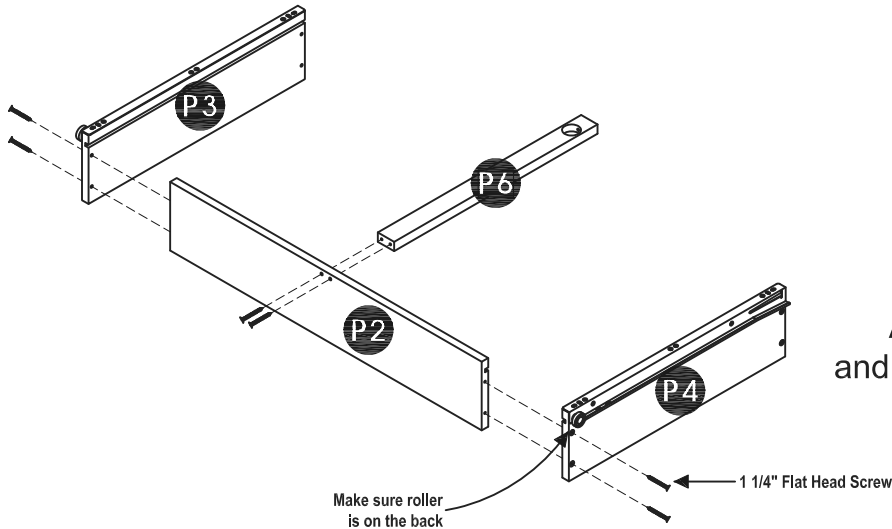
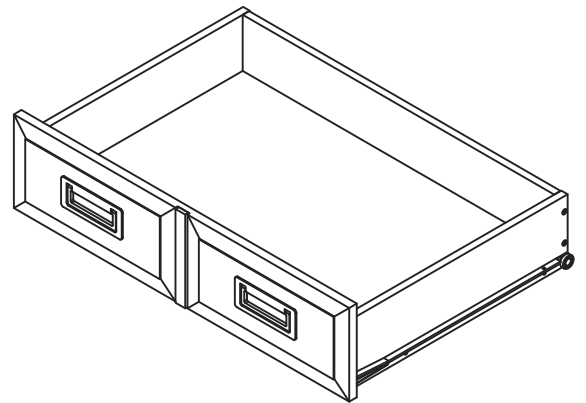


Screw Tipping Restraint to unit using 1/2" Round Head Screw & Flat Washer.



Insert Drawers (P) and (Q) into unit.

Drawer (P)



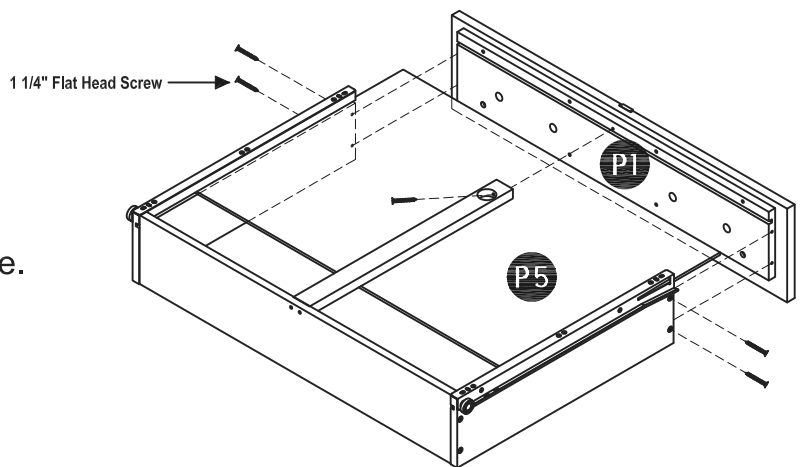
STEP 1

Attach Drawers Side (P3) and (P4) and Drawer Base (P6) to Drawer Back (P2) with 1 1/4" Flat Head Screws.

STEP 2

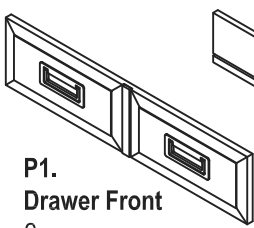
Insert Drawer Base (P5) into the groove.

Attach Drawer Front (P1) to unit with 1 1/4" Flat Head Screws.

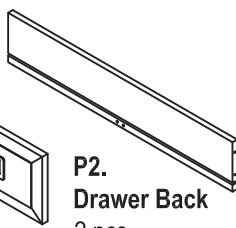


Note: Drawer assembly is not complete until 3/4" Flat Head Screws are used in a later step.

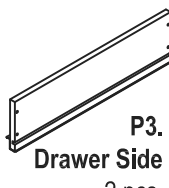
Part List



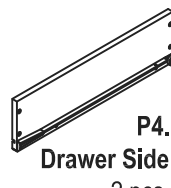
P1.
Drawer Front
2 pcs.



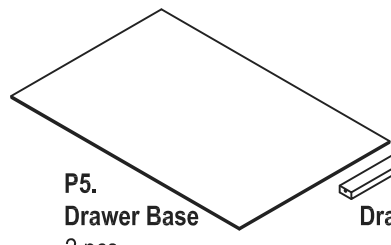
P2.
Drawer Back
2 pcs.



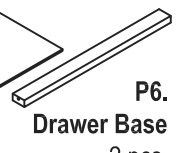
P3.
Drawer Side
2 pcs.



P4.
Drawer Side
2 pcs.

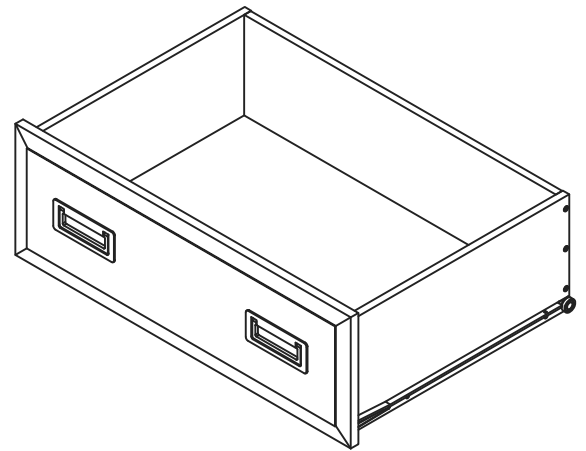
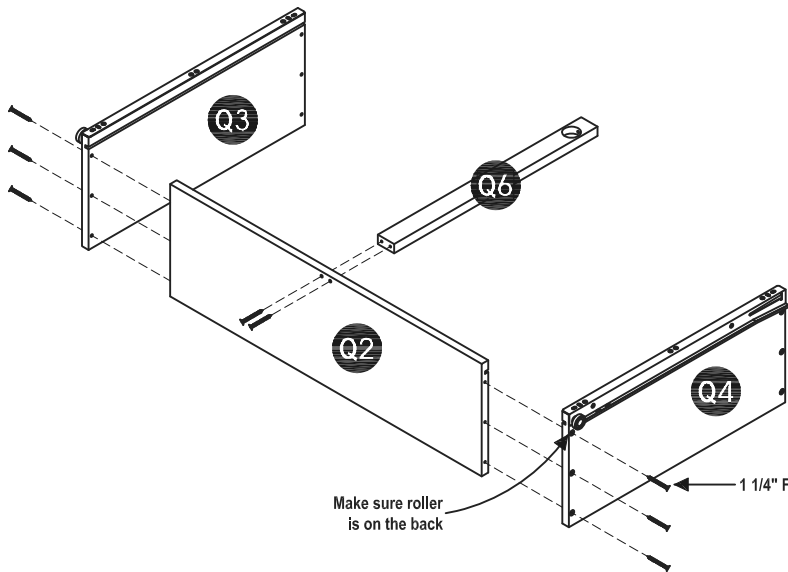


P5.
Drawer Base
2 pcs.



P6.
Drawer Base
2 pcs.

Drawer (Q)



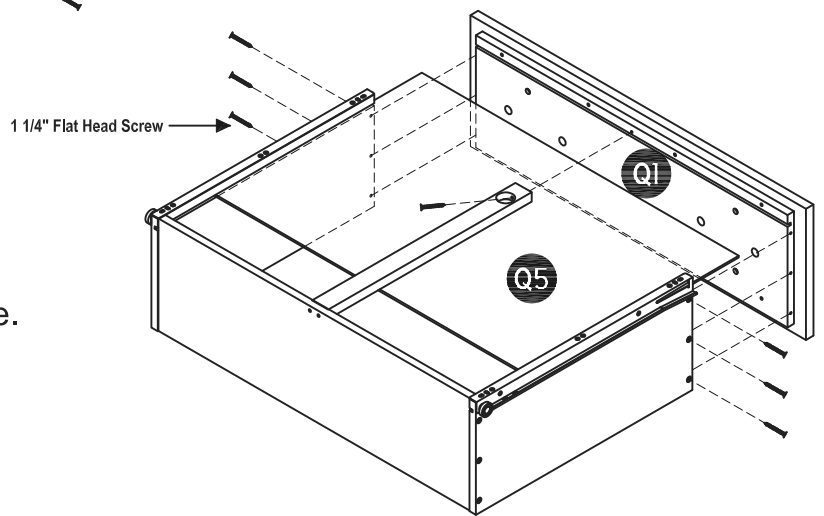
STEP 1

Attach Drawers Side (Q3) and (Q4) and Drawer Base (Q6) to Drawer Back (Q2) with 1 1/4" Flat Head Screws.

STEP 2

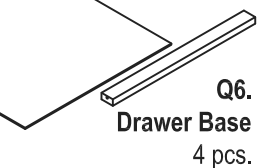
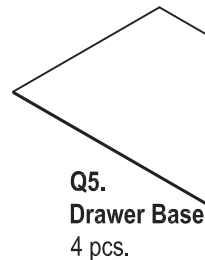
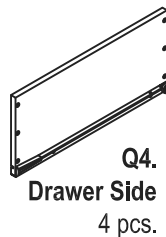
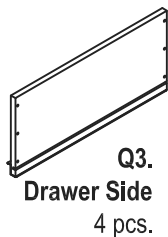
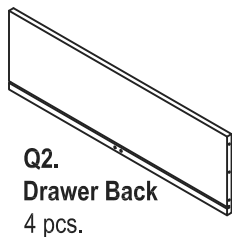
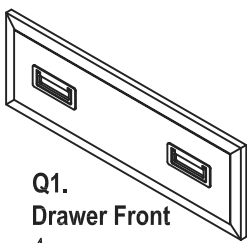
Insert Drawer Base (Q5) into the groove.

Attach Drawer Front (Q1) to unit with 1 1/4" Flat Head Screws.



Note: Drawer assembly is not complete until 3/4" Flat Head Screws are used in a later step.

Part List



VERY IMPORTANT !!

CARE INSTRUCTIONS

NEVER

USE GLASS CLEANERS ON FINISHED FURNITURE. AMMONIA WILL CHEMICALLY ATTACK THE FINISH.

NEVER

ALLOW LIQUIDS OF ANY KIND TO REMAIN ON THE FURNITURE. ABSORPTION CAUSES PART TO WARP AND SPLIT AND FINISHES TO DELAMINATE.

DO NOT WRITE DIRECTLY ON SURFACE.



PREVENT MARKING

DO NOT PLACE IN DIRECT SUNLIGHT.



PREVENT FADING

DO NOT USE COMMERCIAL WAXES AND POLISHES.



PREVENT YELLOWING

DO NOT PLACE HOT OBJECTS ON SURFACE.



PREVENT FINISH DAMAGE

DO NOT USE RUBBER BASED PLACE MATS.



PREVENT DISCOLORING

TO CLEAN

USE A SOFT CLOTH MOISTENED IN LUKEWARM SOAP AND WATER, THEN BUFF WITH A DRY CLEAN CLOTH.



Home Styles will provide replacements free of charge for missing or damaged hardware or parts within 30 days of purchase. Digital images of the defective parts may be required. If this product was not purchased from an authorized retail affiliate, Home Styles is under no obligation to provide replacement parts. Parts are not available for fully assembled items nor are parts available for sale. Replacements for missing or damaged hardware or parts may be requested at:

www.homestyles-furniture.com/customer_service

Home Styles Consumer Assistance: www.homestyles-furniture.com,
servicedesk@homestyles-furniture.com, 888-680-7460, 877-831-0319