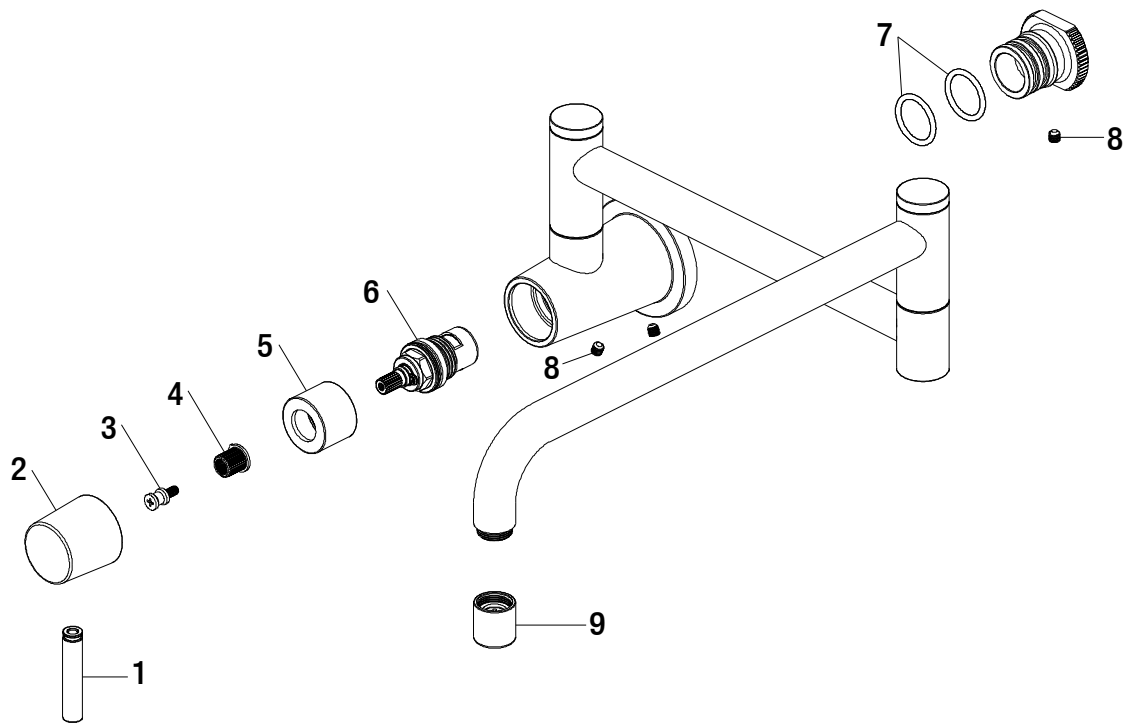


Modern Single-Handle Wall-Mount Pot Filler Faucet

MODEL	SKU #	FINISH
HD67502-5108D2	310251332	Stainless Steel



Many replacement parts can be purchased online or at your local store. Please use the table below to identify the part SKU number needed, go to [HOMEDEPOT.COM](http://HOMEDEPOT.COM), and check for online and store availability. If you can't find the part you are looking for, please call 1-855-HD-GLACIER.

Part	Description	Part #	Internet SKU #	Store SKU #
1	Handle	RP1355108D2		
2	Handle seat	RP1717508D2		
3	Connector	RP70356		
4	Inverter	RP70396		
5	Accessorize cap	RP8033608D2		

Part	Description	Part #	Internet SKU #	Store SKU #
6	Cartridge	RP20051		
7	O-ring	RP60100		
8	Set screw	RP50002		
9	Aerator	RP3027708D2		