



Parts List:

- (1) Hardware pack
- (2) Leg
- (1) Front brace
- (1) Back brace
- (1) Seat assembly
- (2) Arm rest
- (1) Back assembly

TOOLS REQUIRED



Allen Wrench
Included

Phillips Screw-Driver
Not included

Note:

Do not use an impact driver to install hardware. Use battery operated drill or provided Allen wrench

- (4) A - 1/4-20 x 2-5/8" Lag screw



- (4) B - 1-1/2" Phillips screw



- (2) C - 1/4-20 x 1-1/2" Machine screw

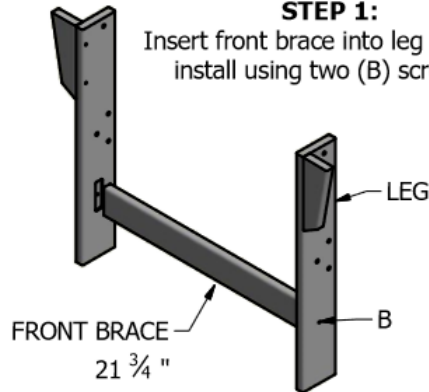


- (6) D - 1/4-20 x 1-1/4" Machine screw



STEP 1:

Insert front brace into leg slot and install using two (B) screws.

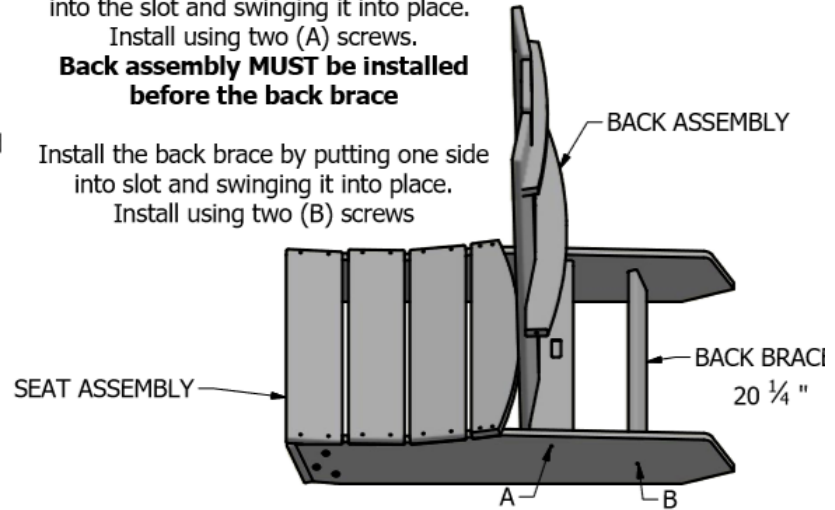


STEP 2:

Lay seat frame on the ground. Install the back frame by putting one side into the slot and swinging it into place. Install using two (A) screws.

Back assembly MUST be installed before the back brace

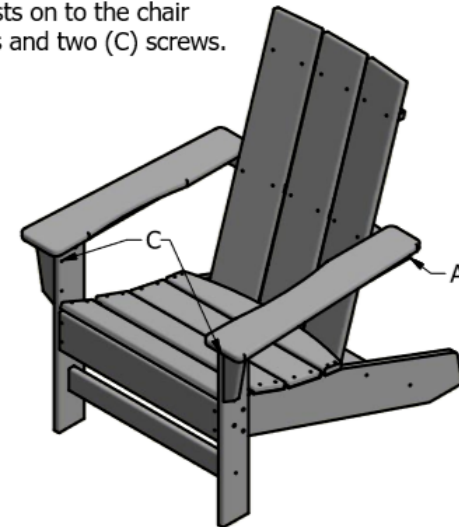
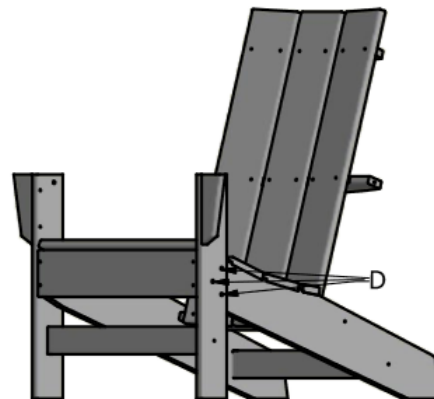
Install the back brace by putting one side into slot and swinging it into place. Install using two (B) screws



STEP 4:

Install the arm rests on to the chair using two (A) screws and two (C) screws.

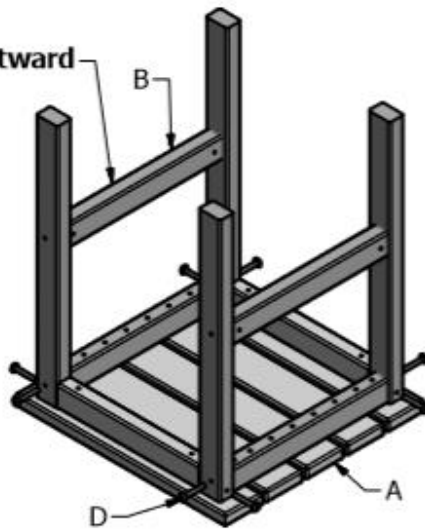
STEP 3:
Install the leg assembly on to the seat frame using six (D) screws.



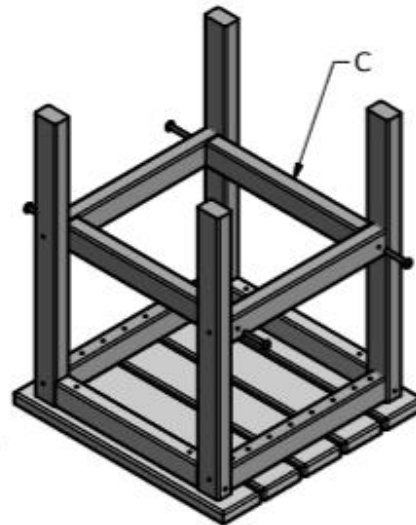


Step 1:
Lay tabletop upside down and attach leg assemblies using (8) 2" screws
Note: Do not fully tighten screws

Make sure braces are facing outward



Step 2:
Loosely attach braces using the remaining (4) 2" screws
Next, turn table upright and tighten all screws



Included Items:

- A. (1) Table top assembly
- B. (2) Leg assemblies
- C. (2) Leg cross braces
- D. (12) 2" Phillip head screws

Tools Needed:

Phillips screwdriver