



FLEXSTONE
LUXURIOUS BATH SURROUNDS

3-Panel Tub Kit Install Instructions

For missing items or returns do not return to store.

Please call 877-941-3662

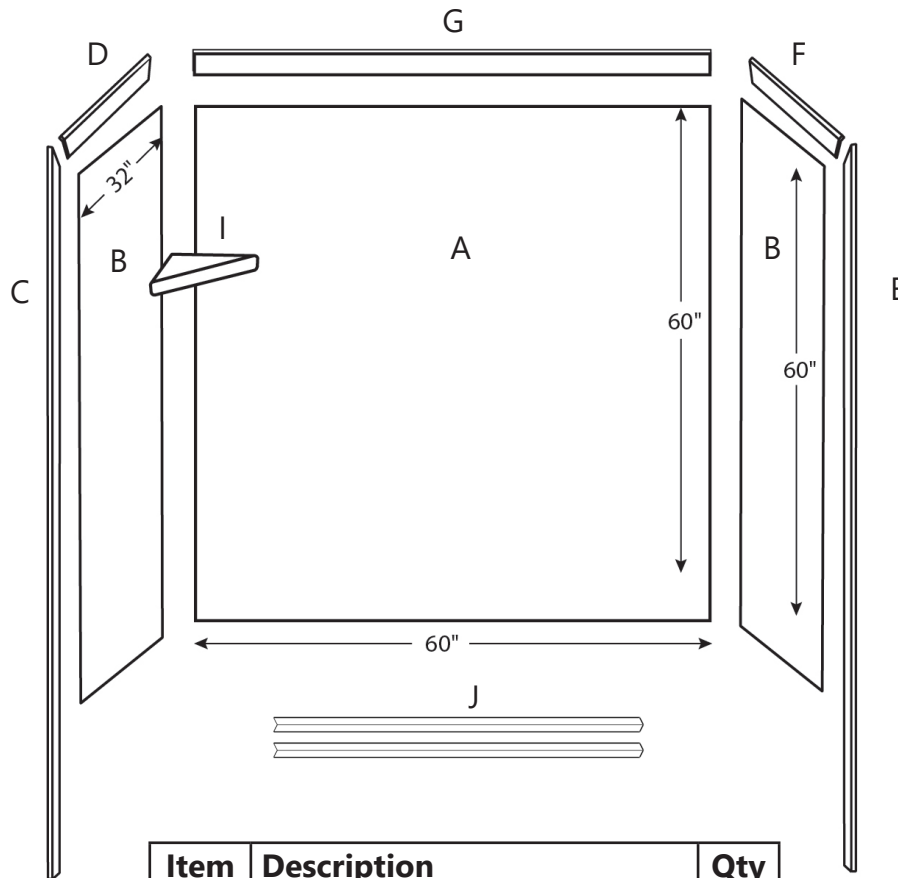
(Monday – Friday 8:00 a.m. – 5:00 p.m MT)

V.1 - 3/18/2019

3-wall Tub Surround Instructions

Elite Series

Tub Model: FTSK60326031



Item	Description	Qty
A	Back wall panel	1
B	Side wall panel	2
C	Left wall front mitered trim	1
D	Left wall top mitered trim	1
E	Right wall front mitered trim	1
F	Right wall top mitered trim	1
G	Back wall top trim	1
I	Corner shelf with bracket	1
J	Inside corner reinforcement	2

Please inspect packages for damage or missing pieces, and read instructions carefully prior to installation. All FlexStone products come with a protective masking covering the image side of the material. If you have any questions or issues, please call our customer support

Monday – Friday 8:00 a.m. – 5:00 p.m. MT at 877-941-3662

Visit FlexstoneProducts.com for up-to-date manuals, or to register your product warranty.

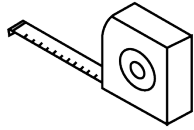


RECOMMENDED:

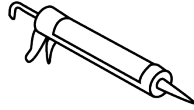
Visit <http://FlexstoneProducts.com/installation> to access a walk-through video and other useful installation information.

V.1 - 3/18/2019

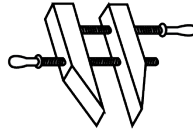
Required Tools



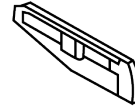
Tape Measure



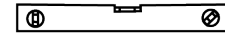
Caulk Gun



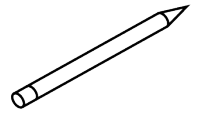
Clamp



Utility Knife

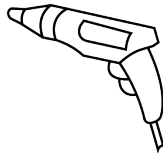


Level

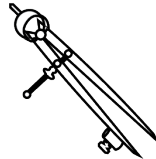


Pencil

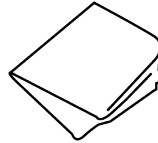
Helpful Tools



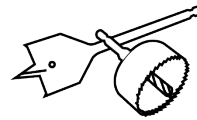
Drill



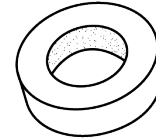
Compass



Clean Cloth



Paddle Bits
or Hole Saws



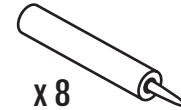
Painter's Tape



Denatured
Alcohol

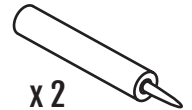
Installation Kit

FlexStone offers an installation kit that includes eight cartridges of Performance Pro Adhesive and two cartridges of Performance Pro Color-Tinted 100% Silicone. Select retailers include this in FlexStone kits, while others offer it for purchase separately.



x 8

Construction
Adhesive



x 2

100% Silicone

Before Starting



Consult your local building codes with questions on installation compliance standards. Building and plumbing codes may vary by location, and FlexStone Bath Systems is not responsible for code compliance standards for your project.

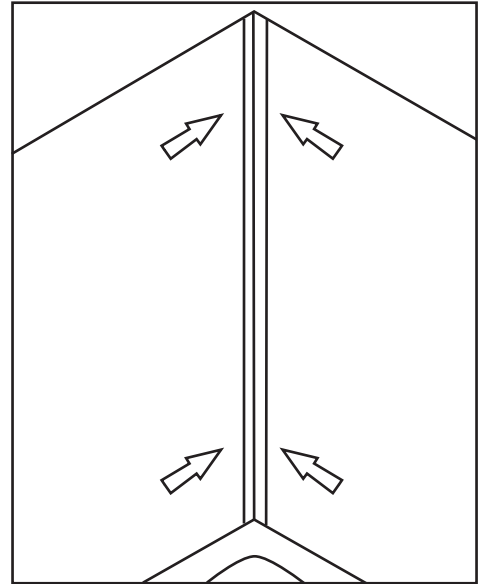
1. The FlexStone wall system is designed to be installed over a solid substrate such as green board, cement board, or other water resistant backers. Substrate should be clean, dry, and free of dust or loose paint. Unless using our Remodel Trim Kit, any existing surround material should be removed.
2. The Remodel Trim Kit (sold separately) allows FlexStone to be used over existing tile. Tile should be in good shape, and wall surfaces should be flat (i.e. remove any accessories that would interfere with the FlexStone panels.) The 4 pieces of 96" length would replace Items C, D, E, F, and G. Follow instructions included with Remodel Trim Kit.
3. If installing a new bathtub prior to FlexStone installation, follow the manufacturer's instructions, and install the tub or base level and square to walls.
4. Turn off the water supply and complete any plumbing modifications prior to installing your FlexStone surround. Leave plumbing handles off until surround is installed. Plan the placement of the shower head such that it is either above the height of the wall panels or at least 2" below the top of the wall panels. This will keep the trim moldings from interfering with the pipe and escutcheon plate.
5. Review Section 6 and decide how the vertical trim moldings will be installed, either outside the shower base, or on top of the base threshold. This will impact the width of the side wall panels in Section 3.

Install Instructions

1. Installation of Inside Corner Reinforcements (J)

A. Flashing Tape Corner Reinforcements go behind the panels in the back vertical corners for added leak protection. This tape has been cut to length, matching the height of the panels of your kit.

B. Apply a generous bead of adhesive onto both walls about 3/4 inch away from the corner. Fold the flashing tape at the center crease with the print side together, then press the tape into the corner using a taping or putty type blade. Using the same blade, flatten out the tape to create a flat, smooth inside corner. Wipe away any excess adhesive.

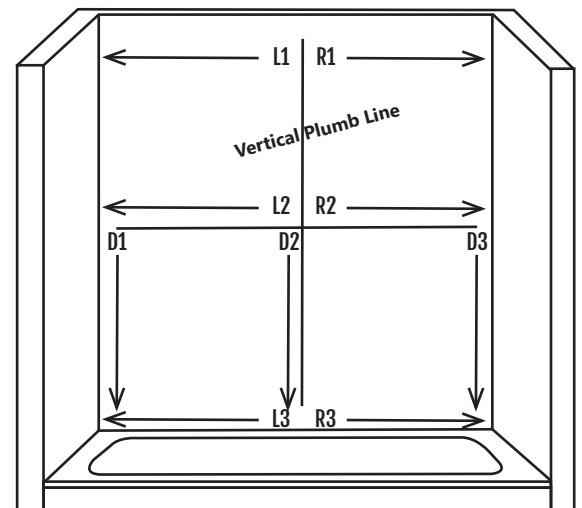


2. Installation of Back Wall Panel (A)

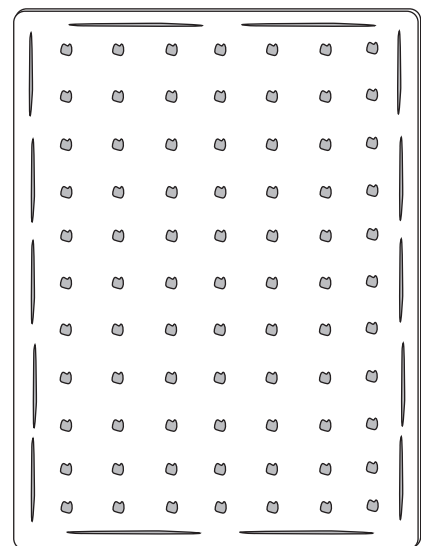
NOTE: It is not necessary to cut the top edges of panels to be level, as they will be covered by trim moldings.

A. The back panel must be fit to both the left and right corners, and to the tub or shower base. Keep in mind that walls may not be square or plumb, so you will want to measure width of the alcove at both the bottom and top of the alcove prior to trimming panel. (See TIP on right and below for a technique for achieving good fit measurements.) Trim the panel to size with a utility knife, jigsaw, or power plane and **dry fit** until a tight fit is achieved.

TIP: Draw a vertical plumb line directly on the middle of the sheetrock from top to bottom of wall. Now draw a horizontal level line crossing the plumb line about halfway up the wall. Record measurements left from the vertical line to corner at top, middle and bottom (L1, L2, L3), then right from the vertical line to corner (R1, R2, R3.) Now record measurements down from the horizontal line to the tub (D1, D2, D3.) Transfer these measurements to your back wall panel (A). These 9 measurements will account for out of plumb walls AND out of level tubs!



B. When satisfied with the fit, peel protective masking back from the edges of the panel (approx. 4") and clean burrs from any rough edges. Generously apply Performance Pro Adhesive in lines or blobs to the back of the panel in a pattern every 3 to 4 inches. Use approximately one 10oz tube per 8 square feet following adhesive directions on tube. Push the panel in place, lightly pounding to achieve good bond.



3. Installation of Wet/Plumbing Wall Panel (B)

A. Hold side panel as close to plumbing wall as possible. Scribe and trim the inside edge and bottom edge against the shower base for best fit before measuring, marking, and cutting holes for plumbing fixtures. The depth of the side wall panels can also be trimmed down to fit the opening or your shower base, although how you decide to install vertical trims C and E will influence the width sizing of side wall panels (see Section 4.)

NOTE: You will be able to fine tune your panel to a more accurate fit after the holes are cut and your panel can be firmly pushed into the corner.

B. For each hole to be cut, measure the vertical distance between the center of the plumbing fixture and the shower base. Measure the horizontal distance between the center of the fixture and the installed back wall panel. Mark the center of the fixtures on the face of the panel.

C. Using a drill, make a small pilot hole in marked locations. Using a jigsaw, hole saw, or paddle bit cut out each hole in the panel to the appropriate size for the particular pipe or fixture. Make each hole only as large as necessary for access to the plumbing. Cover plates only cover so much!

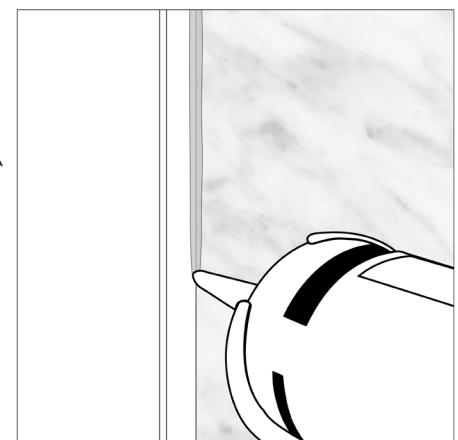
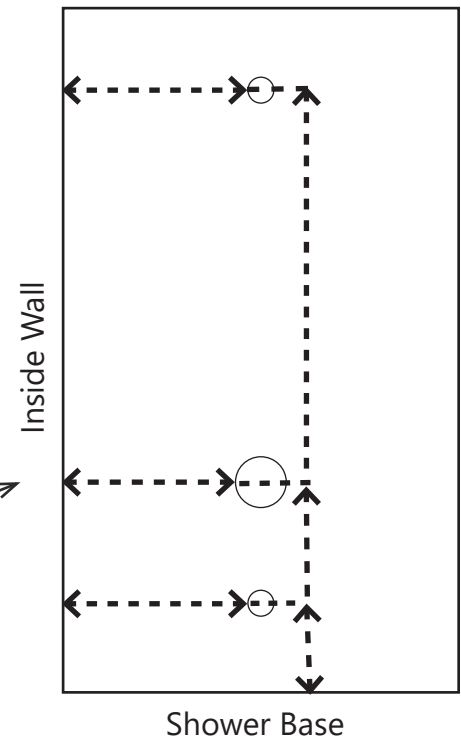
D. With holes drilled so the panel now fits over the plumbing, you can fine tune the fit of the panel into the back corner and against the shower base from step 3.A.

E. Prior to adhering the plumbing wall panel, seal the back panel A to the corner reinforcement using a small bead of Performance Pro 100% Silicone.

F. Follow Step 2.B and adhere the side panel, but also form a bead of adhesive on the back around each plumbing hole.

4. Installation of Opposite Side Wall Panel (B)

A. Use same procedures as in steps 3.A-3.F except that no holes will be drilled in this panel. Dry fit first, and then apply silicone to seal the corner, and adhesive as you did on previous side panel.



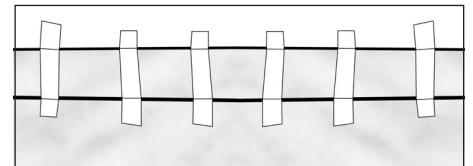
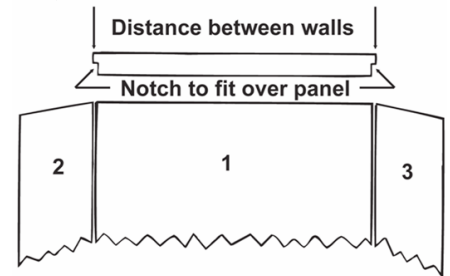
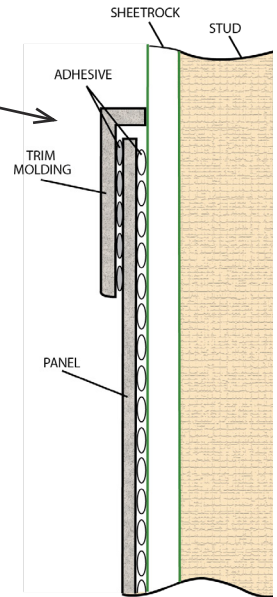
5. Installation of Back Wall Top Trim (G)

NOTE: Trim moldings are shaped like an "L", and the long leg is designed to overlap panels, with the short leg returning back to the sheetrock and hiding the panel edge. Be sure to peel protective masking back from the edges of the panels before adhering the trim moldings.

A. Note the height of the shower head. Decide if top trims will be installed above or below shower head/escutcheon, keeping in mind that trims can overlap panels from 1/2" to 2-1/2". Mark a level line at desired height of the top of the trim on the back wall (above the back wall panel).j

B. Measure the distance from plumbing wall to opposite wall (sheetrock to sheetrock, NOT FlexStone to FlexStone). Cut item (G) to this measurement, then cut a notch 1/4" wide in both ends. This will enable the trim to overlap the back panel and fit over the end panels eliminating any large gaps or holes in the corners.

C. Dry fit this trim piece and make sure it fits properly in a level position. Peel away protective masking from the trim, apply adhesive to the back of the trim molding, and adhere it over the back wall panel. Secure the trim piece in place while the adhesive cures using paint-safe masking tape.



6. Installation of Side Wall Trims (C,D,E,F)

Note: Vertical trim moldings are designed to be installed just outside the tub, running down to the floor, and contour cut to match the tub front shape. Optionally, trims can be cut short to rest on top of the tub.

A. Place horizontal left wall top mitered trim (Item D) in place, push into the corner against back wall trim piece, then level it. Mark a level line on the wall on the top side of the molding near the outer end. Set aside this trim piece.

B. Measure from the floor to the level mark made in 6.A to determine the length needed for the vertical trim piece (Item C). Cut vertical trim piece (C) to this length, but do not cut from the pre-mitered end!

C. Fit vertical trim piece (C) over panel and plumb using a level. If contour cutting this molding to match the tub shape, do so now. You can scribe the contour with a compass, or by hand, and cut with a jig saw or utility knife. For tub installations, the back side of the molding will not be supported by panel material in the contour cut region outside the tub. Use a piece of cutoff scrap as a filler behind this area of the molding. Peel away protective masking from the trim, apply adhesive and adhere molding to panel. Secure with masking tape as in Step 5.C.

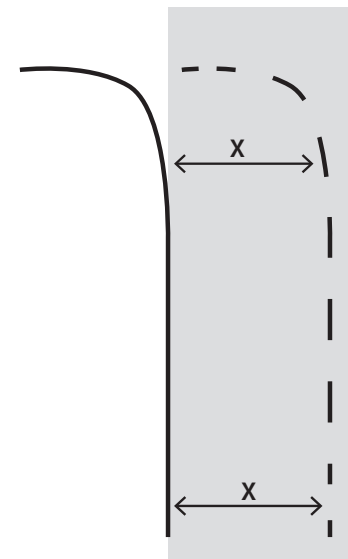
D. Measure horizontal distance from back wall molding piece to the tip of miter on the vertical molding. Cut the horizontal top trim molding (Item D) to this dimension by cutting off the end opposite the miter. Be sure not to cut the mitered end.

E. Dry fit the molding (D) in place for a tight fit. Peel away protective masking from the trim, apply adhesive on the backside of the molding and adhere to the wall as before. Make any minor adjustments necessary to ensure that the mitered end makes a tight joint.

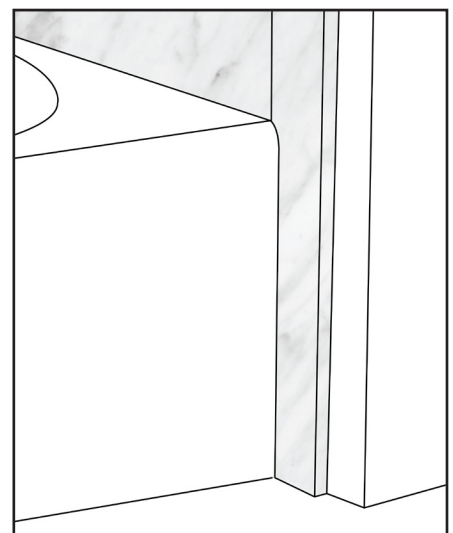
F. Repeat 6.A-6.E for the opposite wall trims (E, F).



Vertical trims installed to top of tub



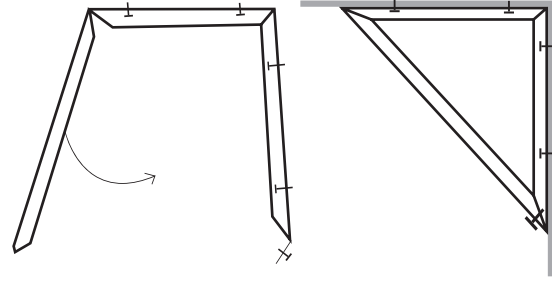
Contour cutting the trim molding to match the tub shape gives a professional look



Vertical trim installed outside tub, and contour cut to match tub shape
V.1 - 3/18/2019

8. Installation of Corner Shelf (I)

NOTE: Corner shelf includes a folding-triangle metal bracket with screw holes which is designed to mount directly to the FlexStone wall panels. Be sure to peel away protective masking from the installation area before securing the bracket.

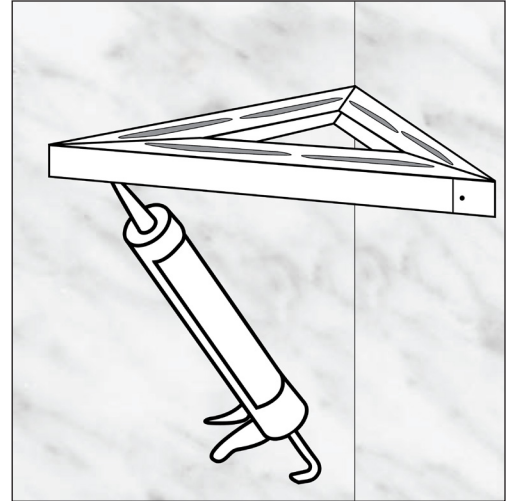


A. Position corner shelf bracket in desired corner at desired height. Use a level to mark level lines in pencil. Adjust the alignment to include a slight forward slope for water runoff.

B. Using drywall screws or other coarse-thread screws, fasten each side of the bracket through the FlexStone panels and the sheetrock.

C. Fold bracket and complete triangle by bending the tab over to secure bracket. Dry fit the corner shelf material over the bracket. If corner is out of square, trim one side of shelf to achieve a tight fit.

D. Peel back protective masking from edges of shelf, apply adhesive to top and bottom of bracket and place FlexStone material over bracket like a clamshell. Clamp until dry (24 hours).

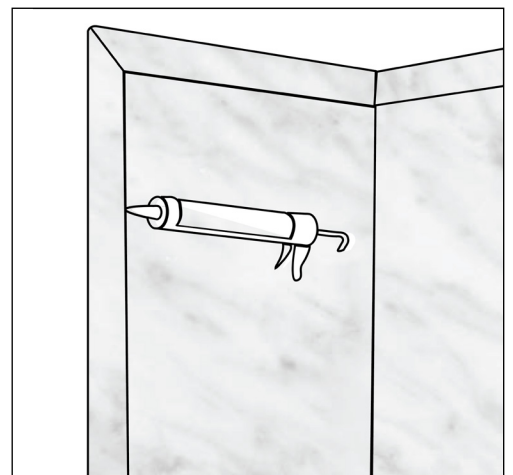
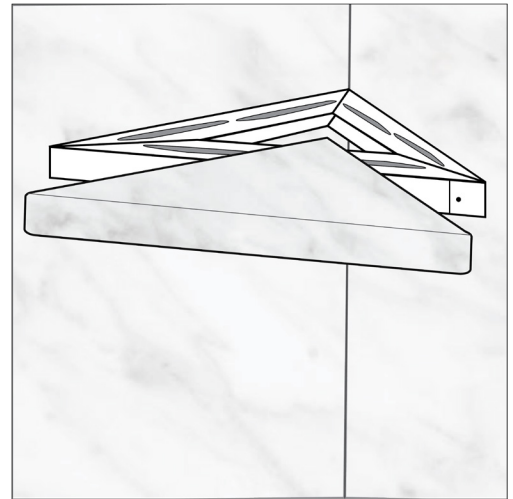


9. Sealing with Silicone

A. If you desire to paint the walls now or in the future, use paintable latex caulk where trim moldings meet sheetrock. Use wet finger or caulk tool to shape the latex caulk to a nice finish.

B. Using denatured alcohol, clean and prime all joints in the surround, including vertical and horizontal joints where panel meets tub, panel meets panel, or trim meets panel. Clean any oils, greases, or adhesive residues from these joints.

C. Seal all joints in your surround with Performance Pro 100% silicone. Our installation kit has color-matched translucent silicone, tinted to complement your selected FlexStone color. Apply a fine bead of silicone to all joints. Use wet finger or caulk tool to shape the silicone to a nice finish. Follow any directions on sealant tube.



PLEASE WAIT 24 HOURS BEFORE INSTALLING FINISH PLUMBING OR USING YOUR NEW TUB/SHOWER SURROUND. REMOVE REMAINING PROTECTIVE MASKING PRIOR TO USE.

This Page is Intentionally Left Blank.

Package Contents

Kit Type:

Elite 3-Panel Tub Kit

Kit Contents:

Back Wall Panel

Left Side Wall Panel

Right Side Wall Panel

Corner-Shelf Bracket

Corner Shelf Clamshell

2 Inside Corner Reinforcements

Left Wall Front Mitered Trim

Left Wall Top Mitered Trim

Right Wall Front Mitered Trim

Right Wall Top Mitered Trim

Back Wall Top Trim

Packaged Date:

Packaged By:

And: