

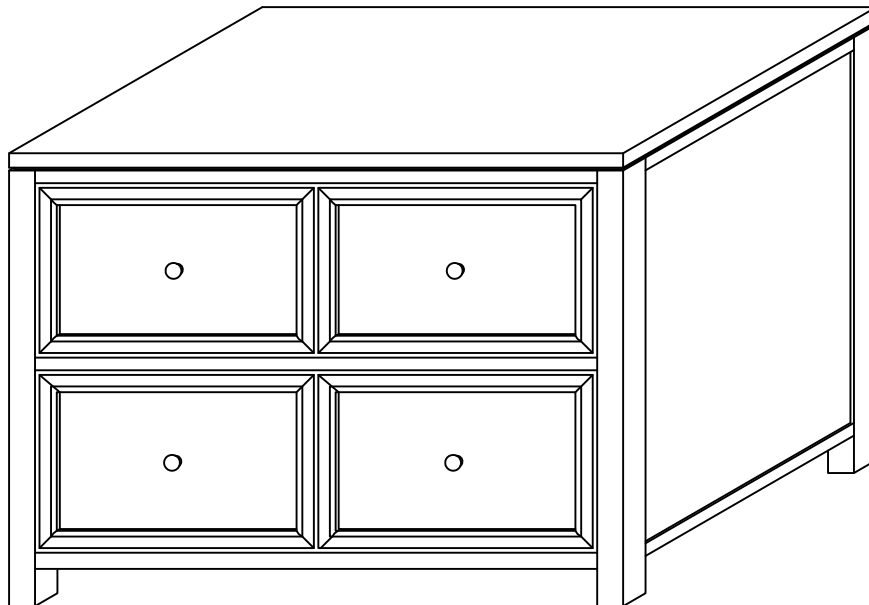
# HOME DECORATORS COLLECTION

BF-25036 MSL 4-DRAWER FILE CONSOLE 42"W×20"D×31"H

INV#10381

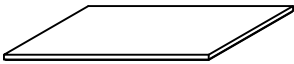
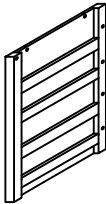
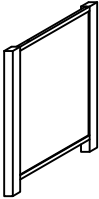
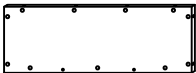
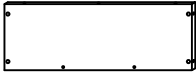
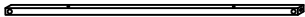
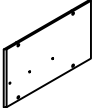
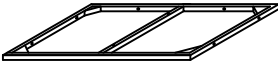
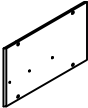
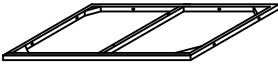
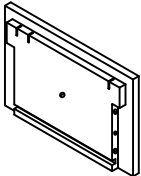
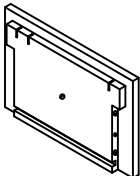
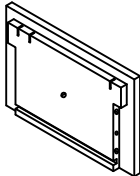
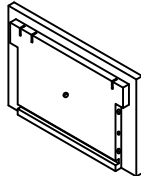
## ASSEMBLY INSTRUCTIONS

Made In China

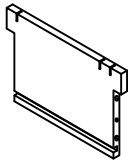


Thank you for purchasing this quality product. Be sure to check all packing material carefully for small parts, which may have come loose inside the carton during shipment. Count all parts and material hardware and then compare with parts list to be sure all parts are present. If any parts are missing or damaged, phone, fax, or mail to our Customer Service Department for efficient and speedy service. Please indicate the model number and code letter of part(s) needed. **IMPORTANT NOTE:** Follow instructions listed below in proper sequence as numbered to assure fast, easy and correct assembly.

## PARTS LIST

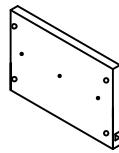
<b>A</b>    TOP PANEL-1PC	<b>B</b>    LEFT SIDE PANEL-1PC	<b>C</b>    RIGHT SIDE PANEL-1PC	
<b>D</b>    UP BACK PANEL-1PC	<b>E</b>    DOWN BACK PANEL-1PC	<b>F</b>    ADORNING PANEL-1PC	
<b>G</b>    UP STAND PANEL-1PC	<b>H</b>    ACROSS PANEL-1PC	<b>I</b>    DOWN STAND PANEL-1PC	<b>J</b>    BOTTOM PANEL-1PC
<b>K</b>    UP LEFT DRAWER PANEL FRONT-1PC	<b>K1</b>    UP RIGHT DRAWER PANEL FRONT-1PC	<b>L</b>    DOWN LEFT DRAWER PANEL FRONT-1PC	<b>L1</b>    DOWN RIGHT DRAWER PANEL FRONT-1PC

**M**



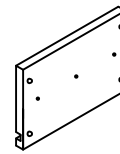
DRAWER PANEL BACKS-4PCS

**N**



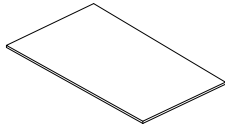
LEFT  
DRAWER PANEL SIDES-4PCS

**O**



RIGHT  
DRAWER PANEL SIDES-4PCS

**P**



DRAWER  
PANEL BOTTOMS-4PCS

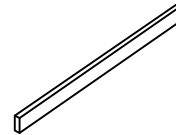
**Q**

6mm×3/8"



SCREWS-12PCS

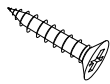
**R**



FILE HANGERS-8PCS

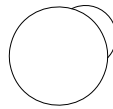
**S**

6mm×1"



SCREWS-32PCS

**T**



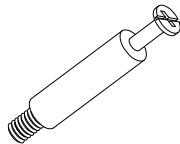
KNOBS-4PCS

**U**



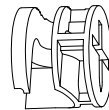
CAM-TOOL-1PC

**V**



CAM-BOLTS-29PCS

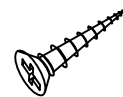
**W**



CAM-LOCKS-29PCS

**X**

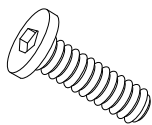
8mm×1"



SCREWS-2PCS

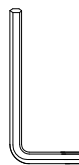
**Y**

11mm×1"



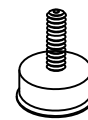
SCREWS-12PCS

**Z**



ALLEN WRENCH-1PC

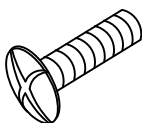
**A1**



FEET-4PCS

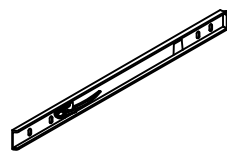
**B1**

8mm×5/8"



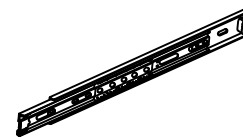
SCREWS-4PCS

**C1**



INNER SLIDES-8PCS

**D1**



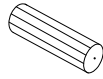
OUTER SLIDES-8PCS

**E1** 6mm×1/2"



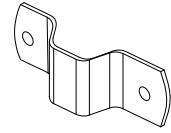
SCREWS - 36PCS

**F1**



DOWELS - 16PCS

**G1**



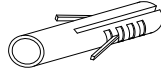
HOOKS - 4PCS

**H1**



PLASTIC BELTS - 2PCS

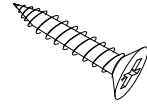
**I1**



GECKOS - 4PCS

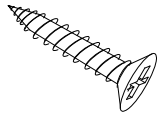
**J1**

6mm×3/4"



SCREWS - 4PCS

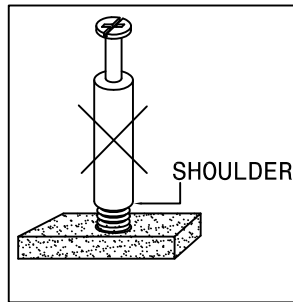
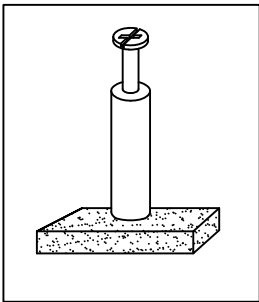
**K1** 7mm×7/8"



SCREWS - 4PCS

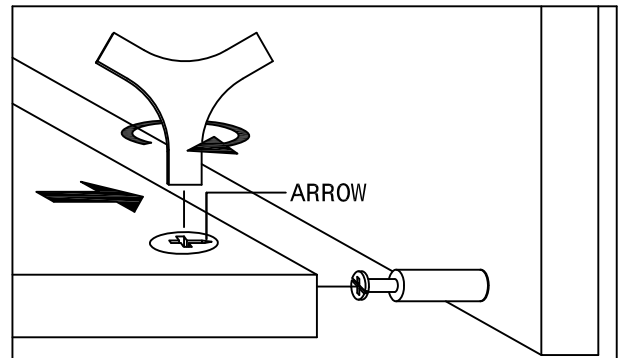
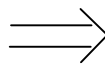
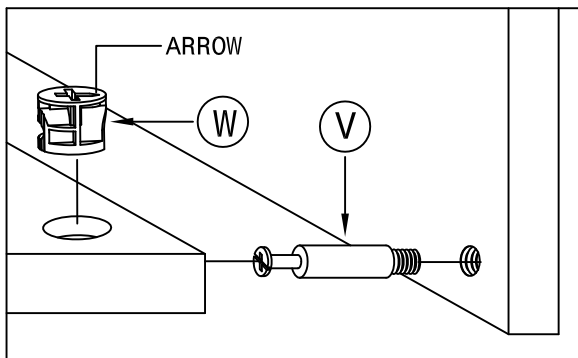
NOTE: THE SURFACE WITH THE STICKER IS THE BACK SIDE.

NOTE: • UPON OPENING, THOROUGHLY CLEAN ALL WOOD SURFACES TO REMOVE DUST AND DIRT THAT MAY HAVE SETTLED ONTO THE FINISH DURING SHIPMENT IN ORDER TO PREVENT DAMAGE DURING ASSEMBLY. PLEASE ASSEMBLE THIS ITEM WITH AT LEAST TWO PEOPLE.



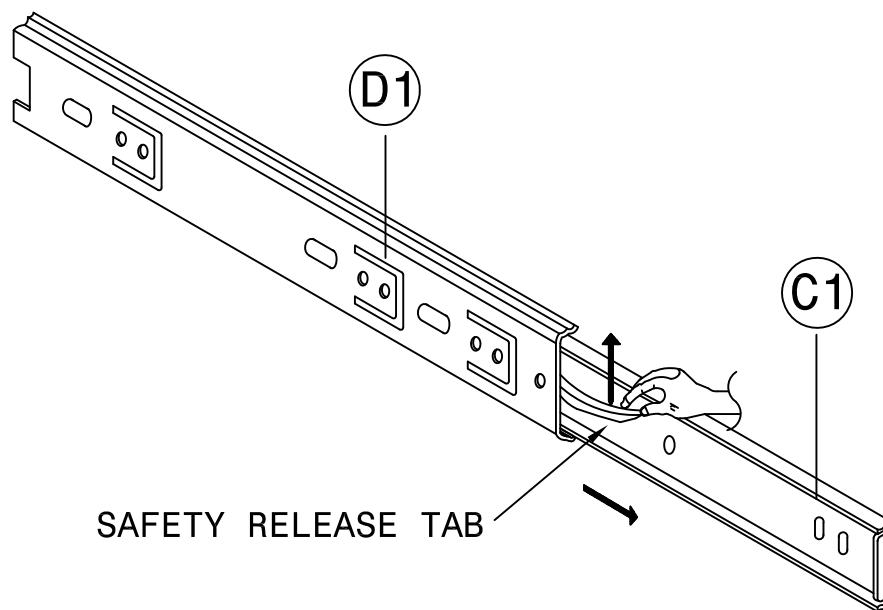
NOTE: TURN THE CAM-BOLT SCREWS UNTIL THEY ARE TIGHT, THE SHOULDER SHOULD BE AGAINST THE SURFACE OF THE PART.

## HOW TO USE THE CAM-TOOL

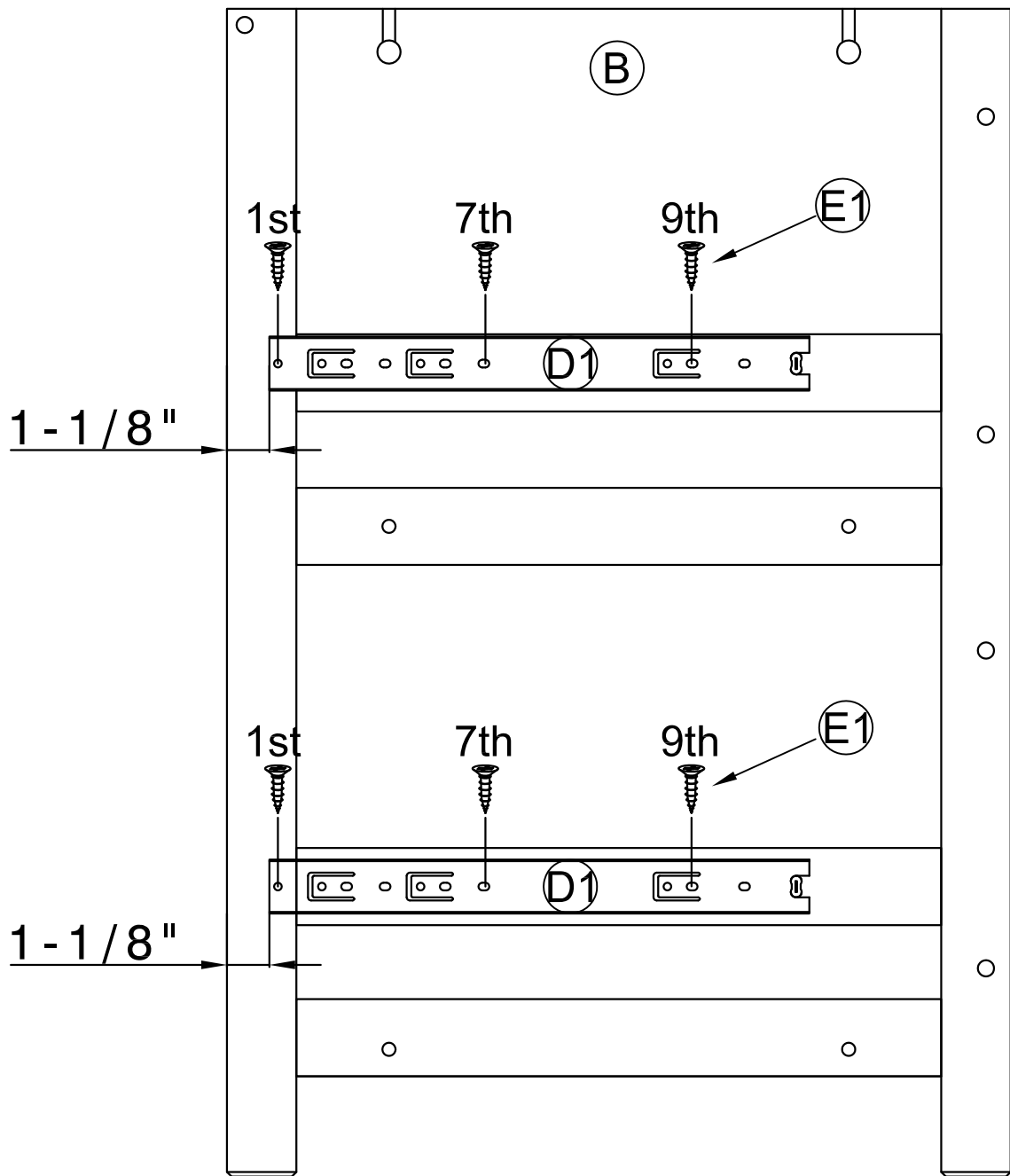


NOTE: • THE ARROWS ON THE HIDDEN CAM-LOCKS SHOULD POINT TO THE CAM-BOLTS

## HOW TO SEPARATE GLIDES

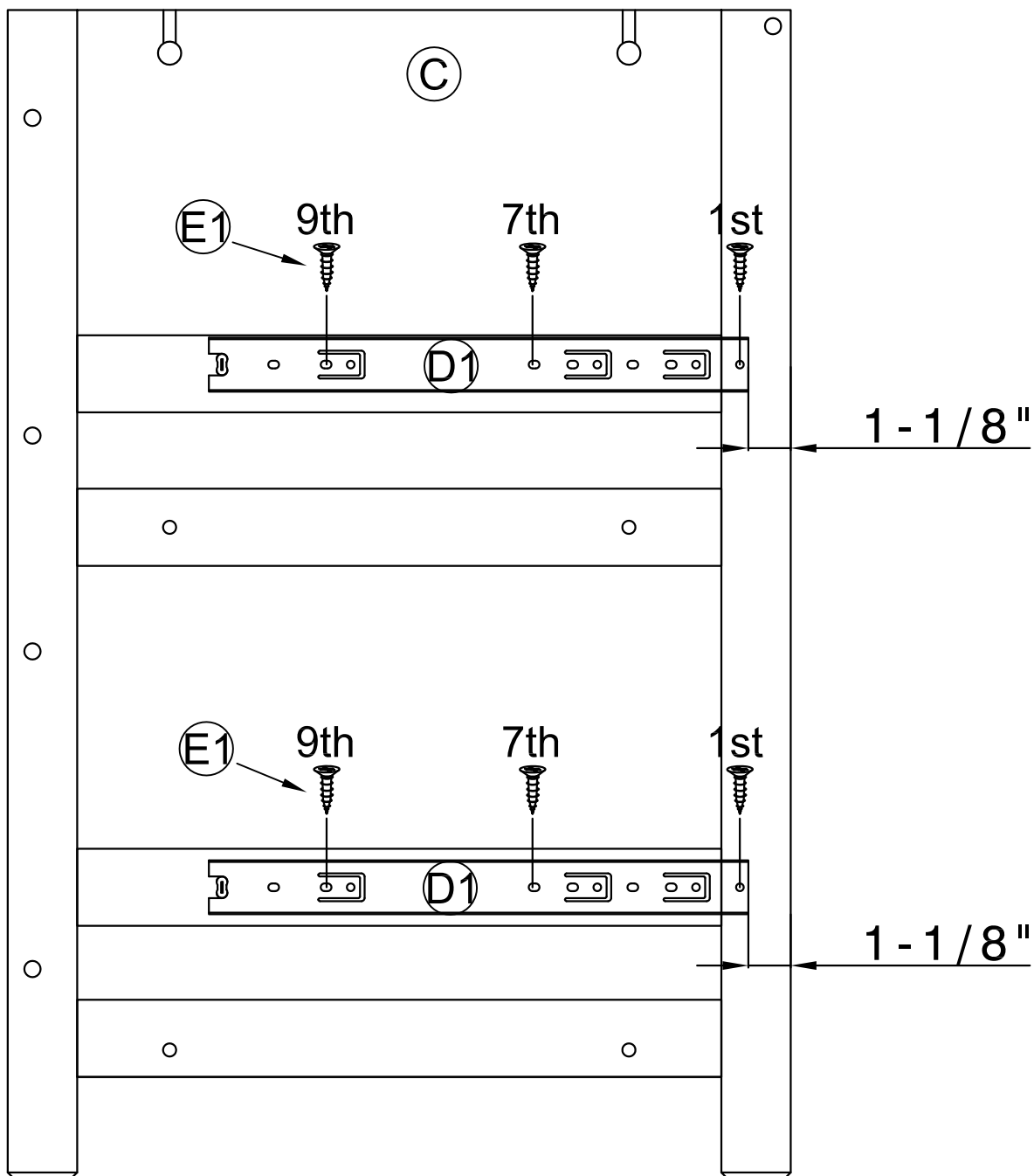


PRIOR TO ASSEMBLY, WE SUGGEST SEPARATING THE INNER GLIDES FROM THE OUTER GLIDES, SIMPLY PULL THE LEFT/RIGHT INNER GLIDES FROM THE OUTER GLIDES EXPOSING A SMALL BLACK SAFETY RELEASE TAB, BY PUSHING THE SAFETY RELEASE TAB. YOU WILL BE ABLE TO SEPARATE THE GLIDES.



1). ASSEMBLE THE OUTER SLIDES(D1).

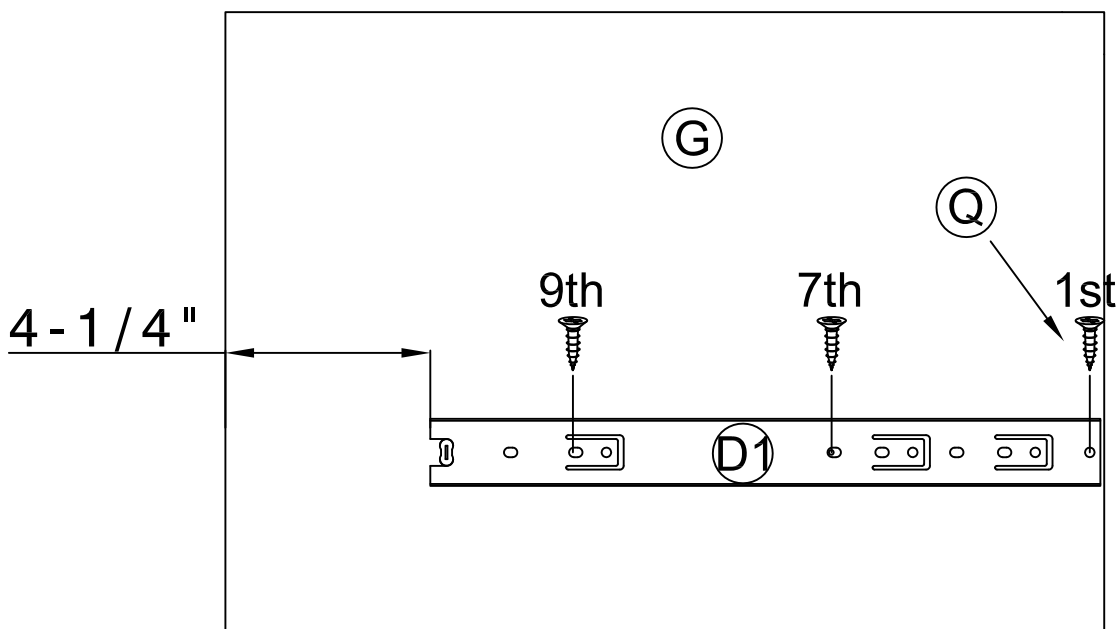
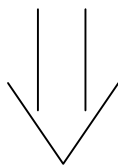
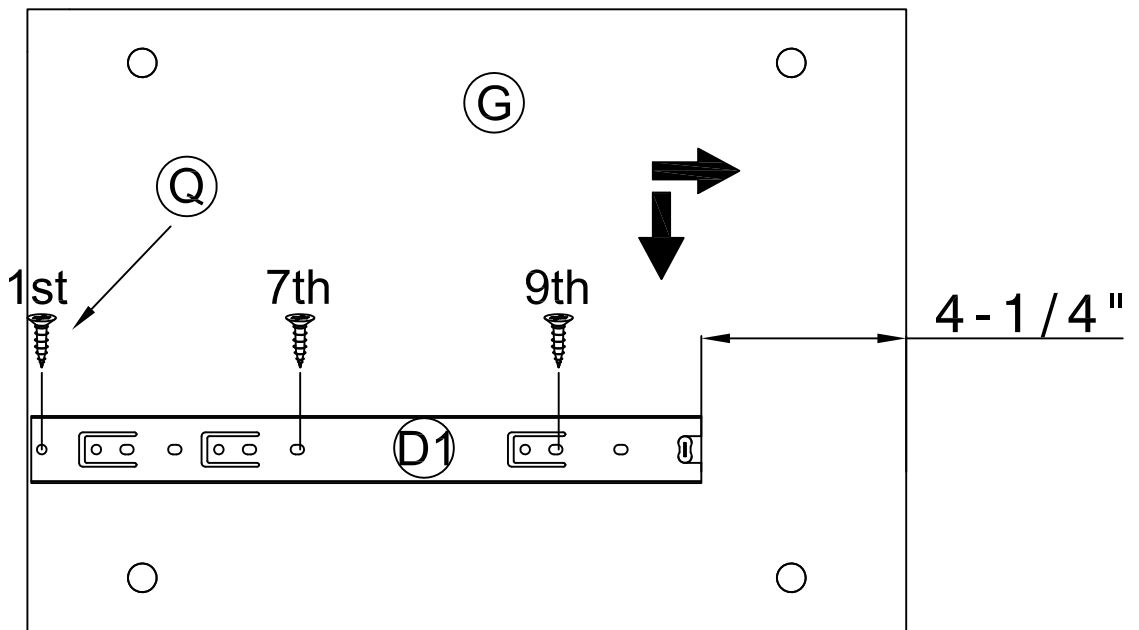
- ATTACH 2 OUTER SLIDES(D1) TO LEFT SIDE PANEL(B) USING 6 SCREWS(E1).



2) . ASSEMBLE THE OUTER SLIDES(D1) .

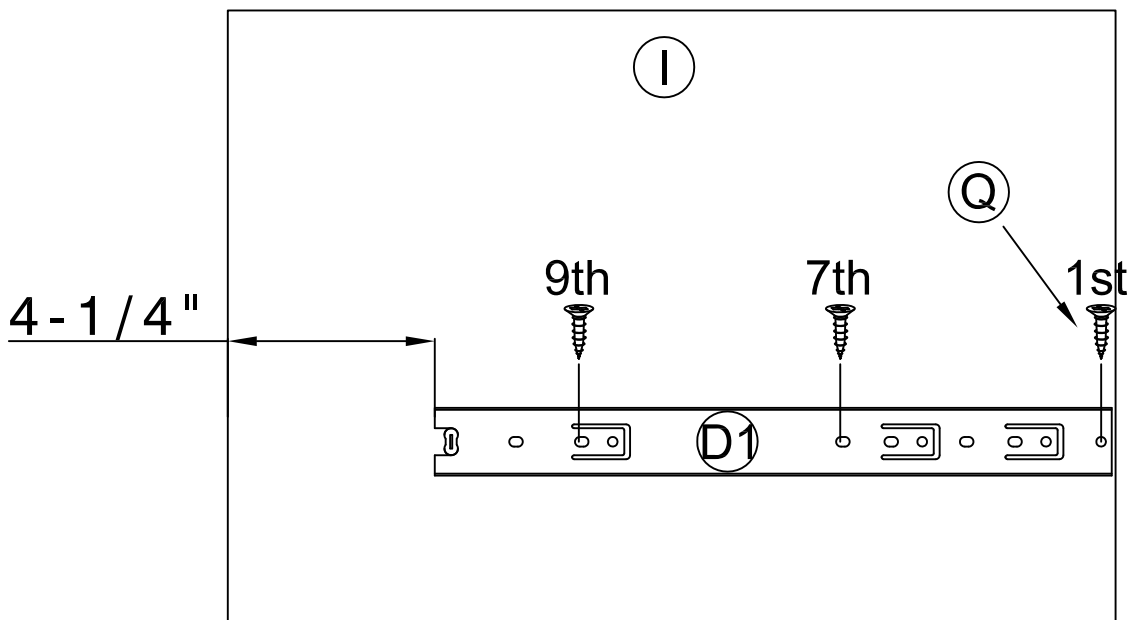
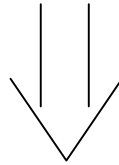
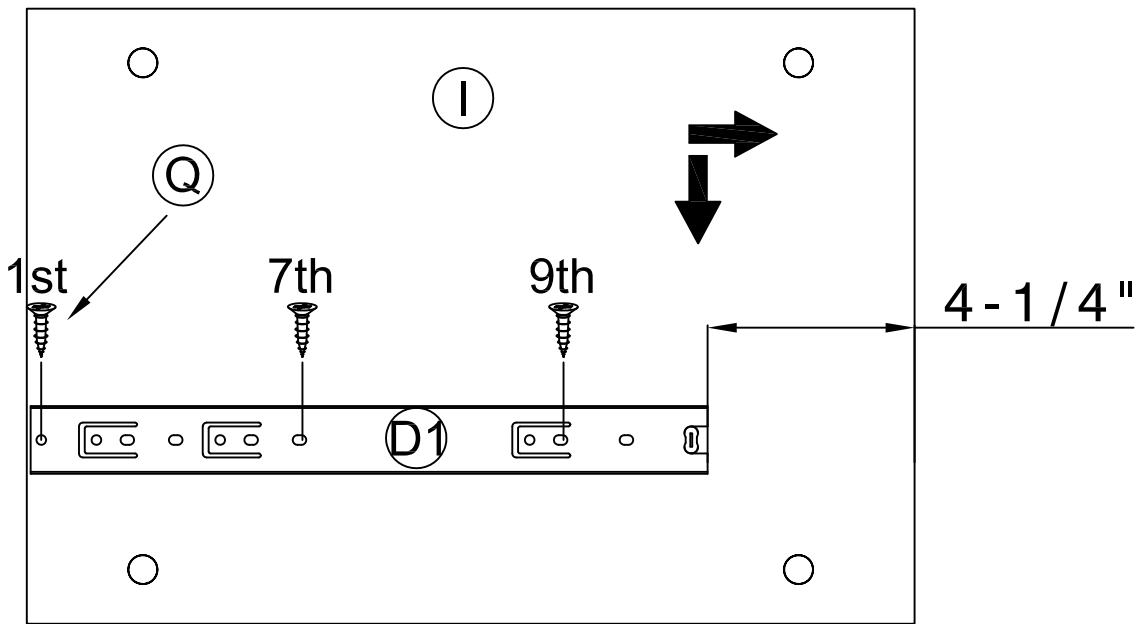
- ATTACH 2 OUTER SLIDES(D1) TO RIGHT SIDE PANEL(C) USING 6 SCREWS(E1) .





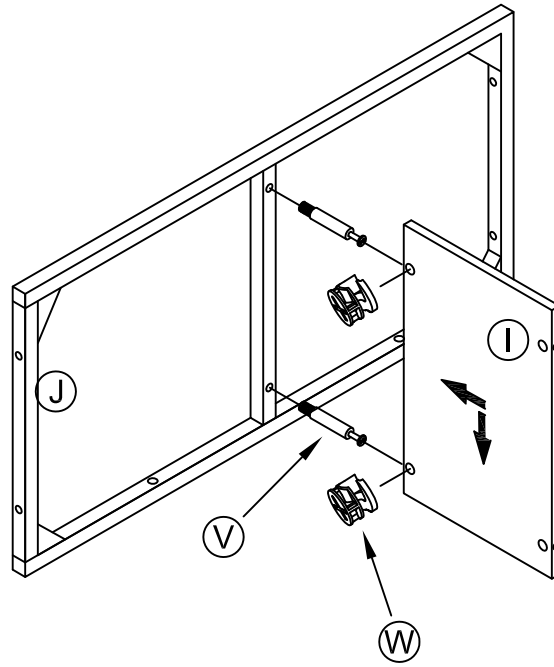
**3) . ASSEMBLE THE OUTER SLIDES(D1) .**

- ATTACH 2 OUTER SLIDES(D1) TO UP STAND PANEL(G) USING 6 SCREWS(Q) .



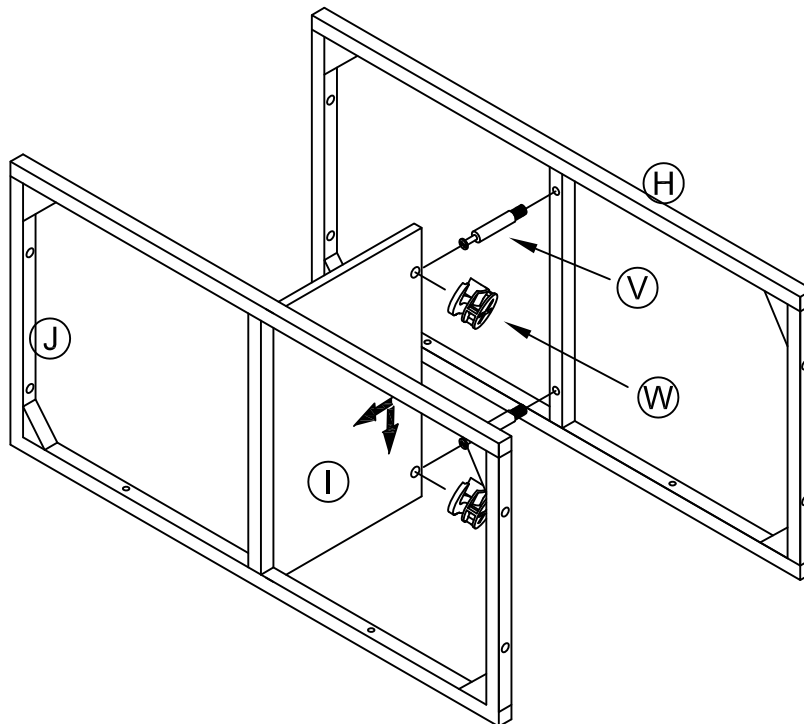
4) . ASSEMBLE THE OUTER SLIDES(D1) .

- ATTACH 2 OUTER SLIDES(D1) TO DOWN STAND PANEL(I) USING 6 SCREWS(Q) .



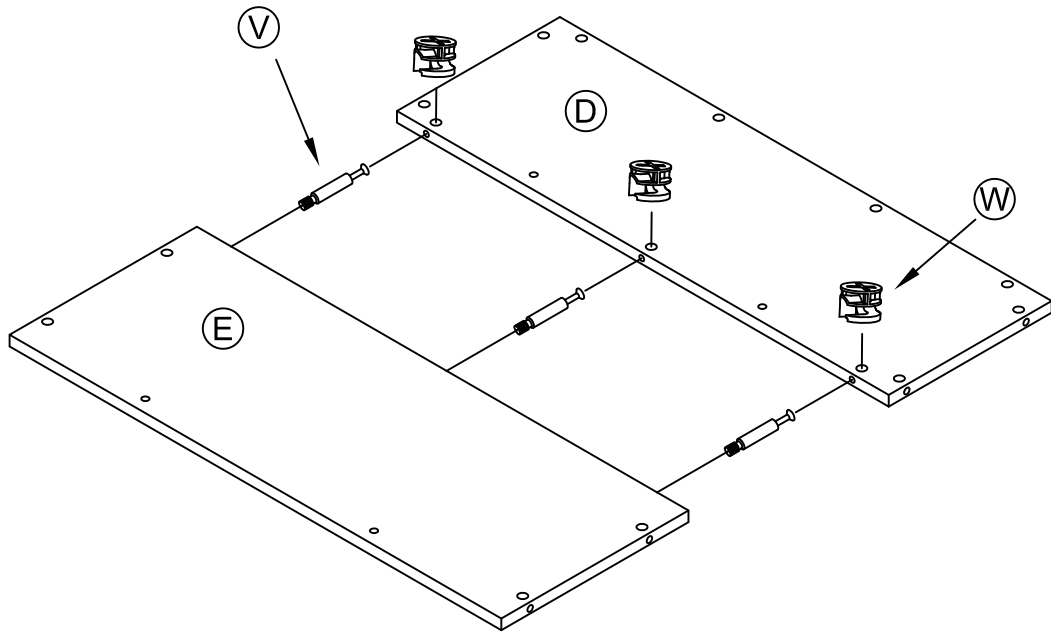
**5) . ASSEMBLE THE DOWN STAND PANEL (I) .**

- ROTATE THE 2 CAM-BOLTS(V) INTO THE HOLES IN THE BOTTOM PANEL(J) .
- PLACE CAM-BOLTS(V) INTO THE HOLES IN THE DOWN STAND PANEL(I) AND ATTACH USING 2 CAM-LOCKS(W) .



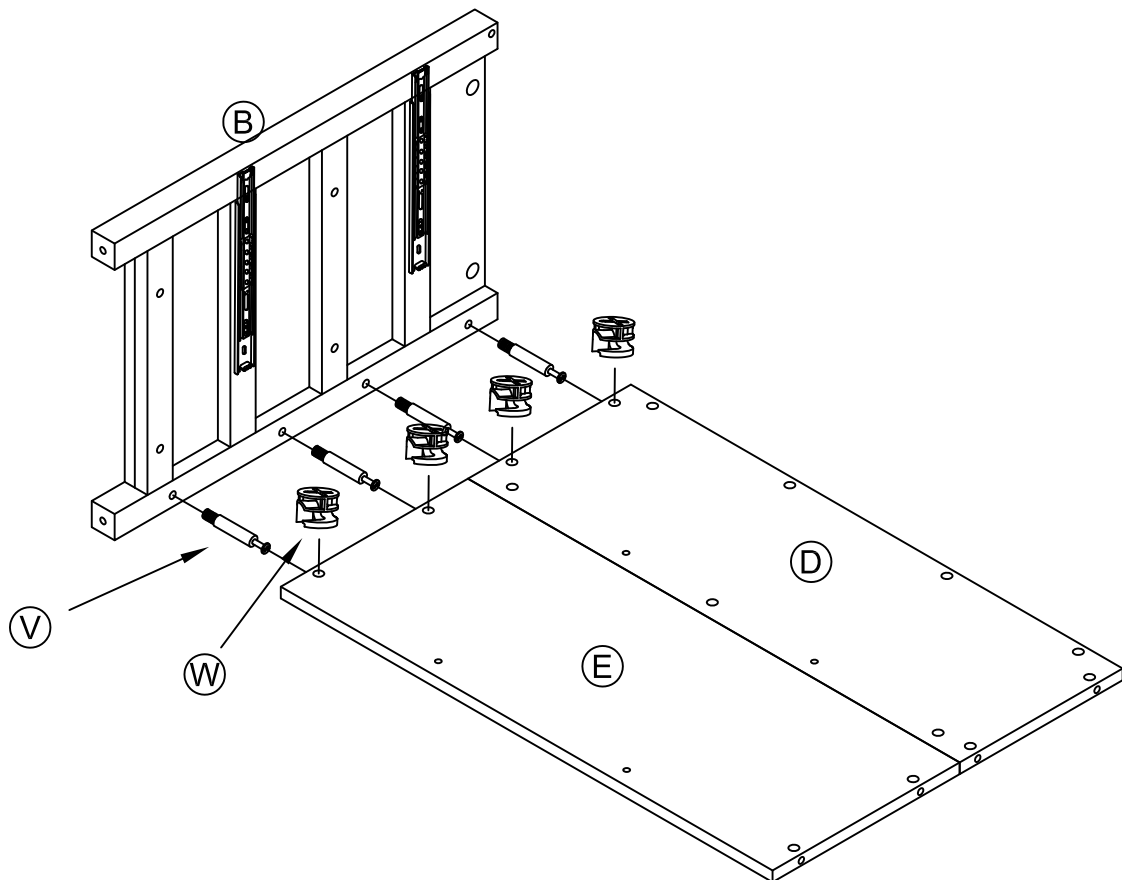
**6) . ASSEMBLE THE ACROSS PANEL (H) .**

- ROTATE THE 2 CAM-BOLTS(V) INTO THE HOLES IN THE ACROSS PANEL(H) .
- PLACE CAM-BOLTS(V) INTO THE HOLES IN THE DOWN STAND PANEL(I) AND ATTACH USING 2 CAM-LOCKS(W) .



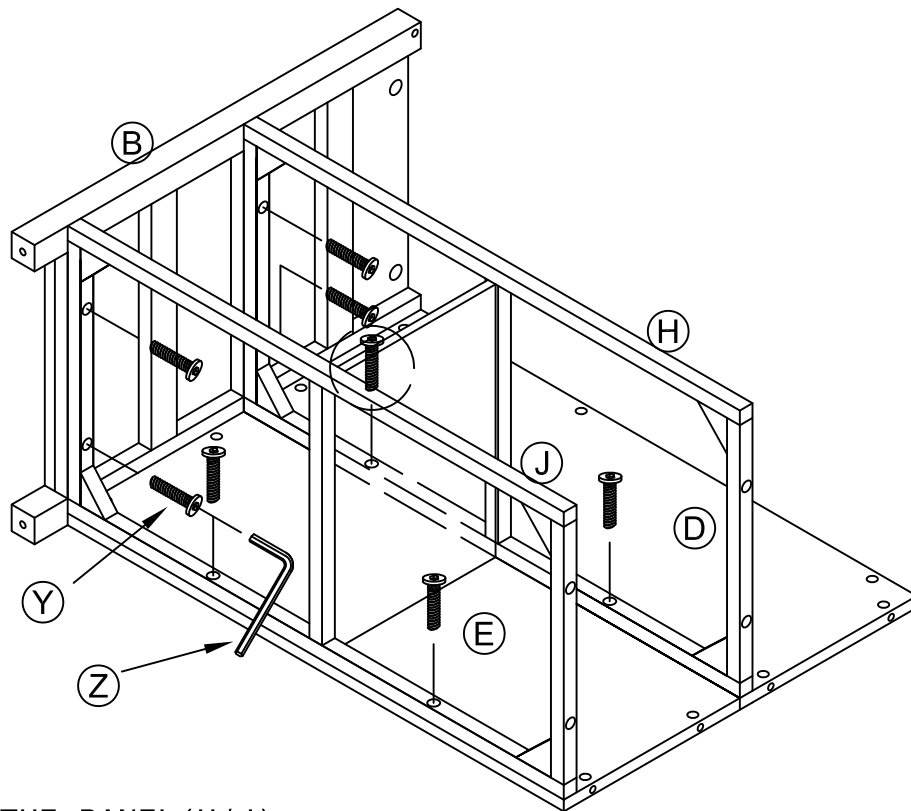
**7) . ASSEMBLE THE BACK PANEL (D/E) .**

- ROTATE 3 CAM-BOLTS(V) INTO THE HOLES IN THE DOWN BACK PANEL(E) .
- PLACE CAM-BOLTS(V) INTO THE HOLES IN THE UP BACK PANEL(D) AND ATTACH USING 3 CAM-LOCKS(W) .



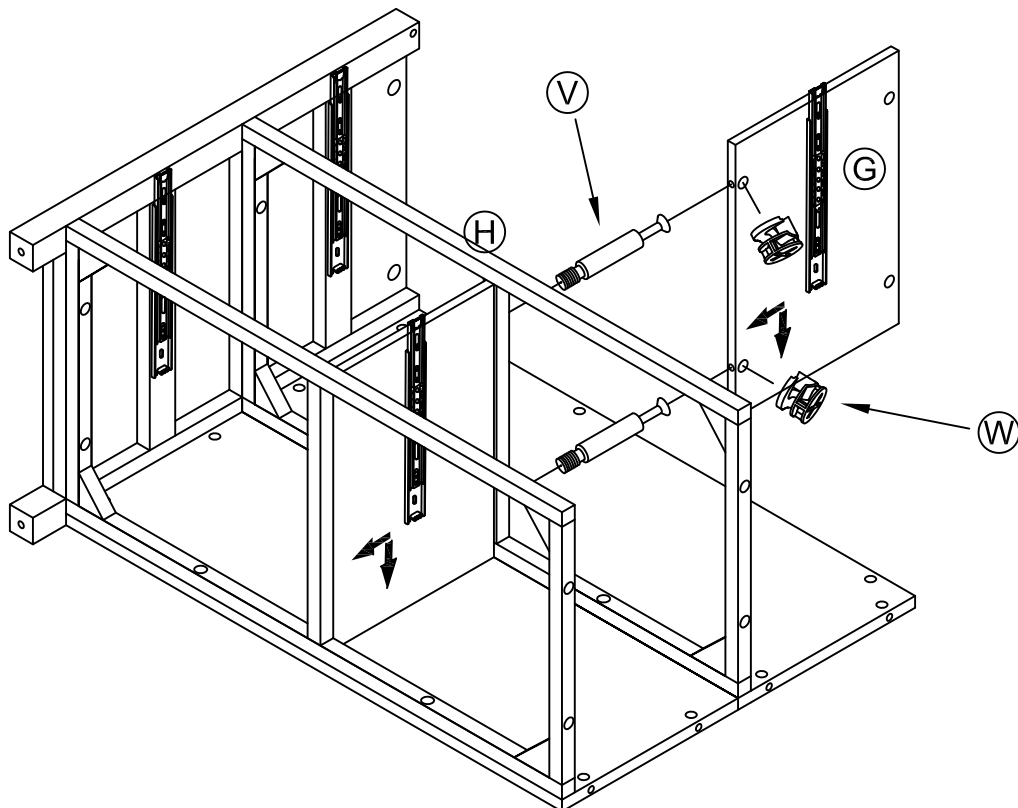
**8) . ASSEMBLE THE LEFT SIDE PANEL (B) .**

- ROTATE THE 4 CAM-BOLTS(V) INTO THE HOLES IN THE LEFT SIDE PANEL(B) .
- PLACE CAM-BOLTS(V) INTO THE HOLES IN THE BACK PANEL(D/E) AND ATTACH USING 4 CAM-LOCKS(W) .



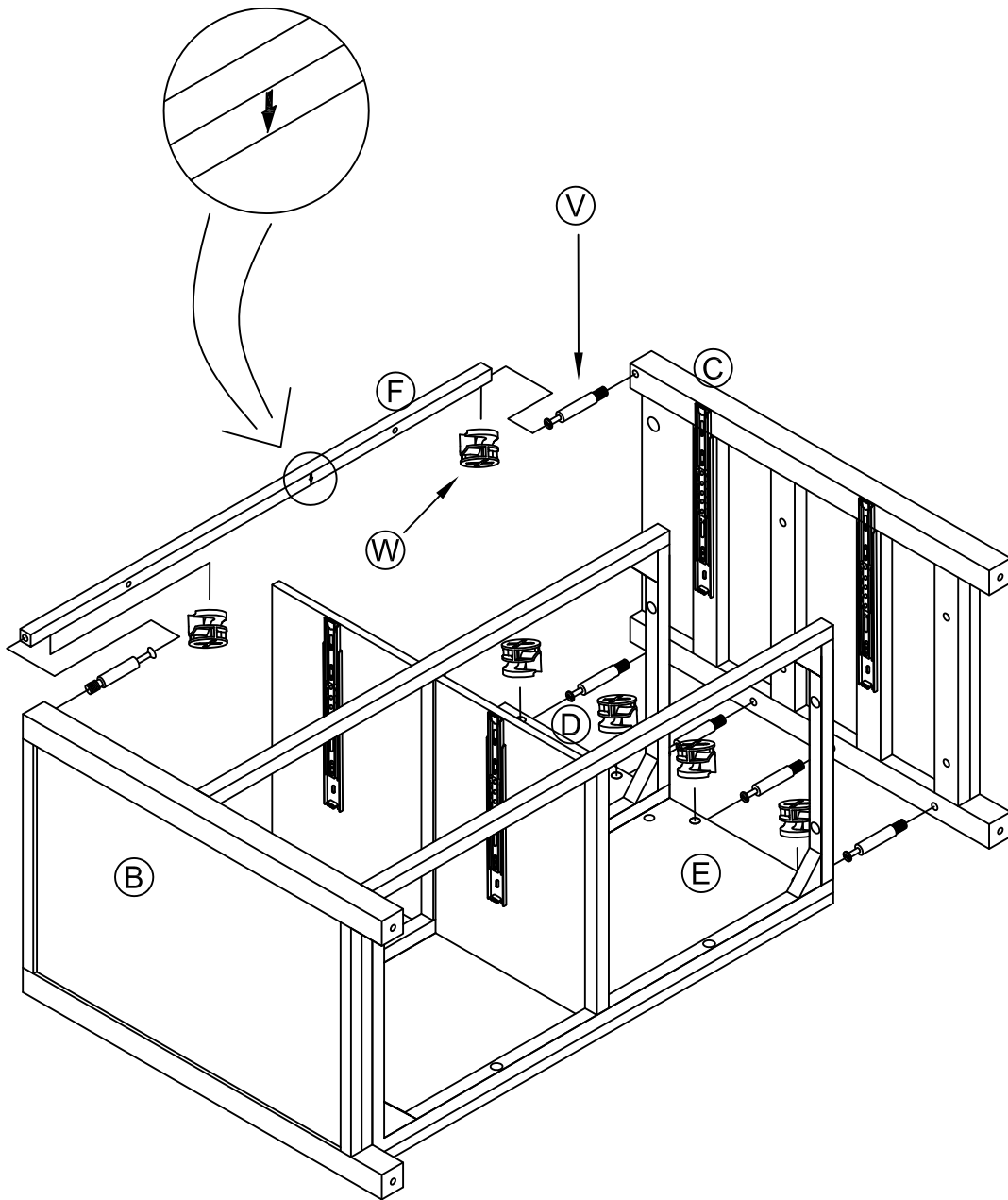
**9) . ASSEMBLE THE PANEL (H/J) .**

- ATTACH THE PANEL (H/J) TO PANEL (B/D/E) USING 8 SCREWS (Y) .



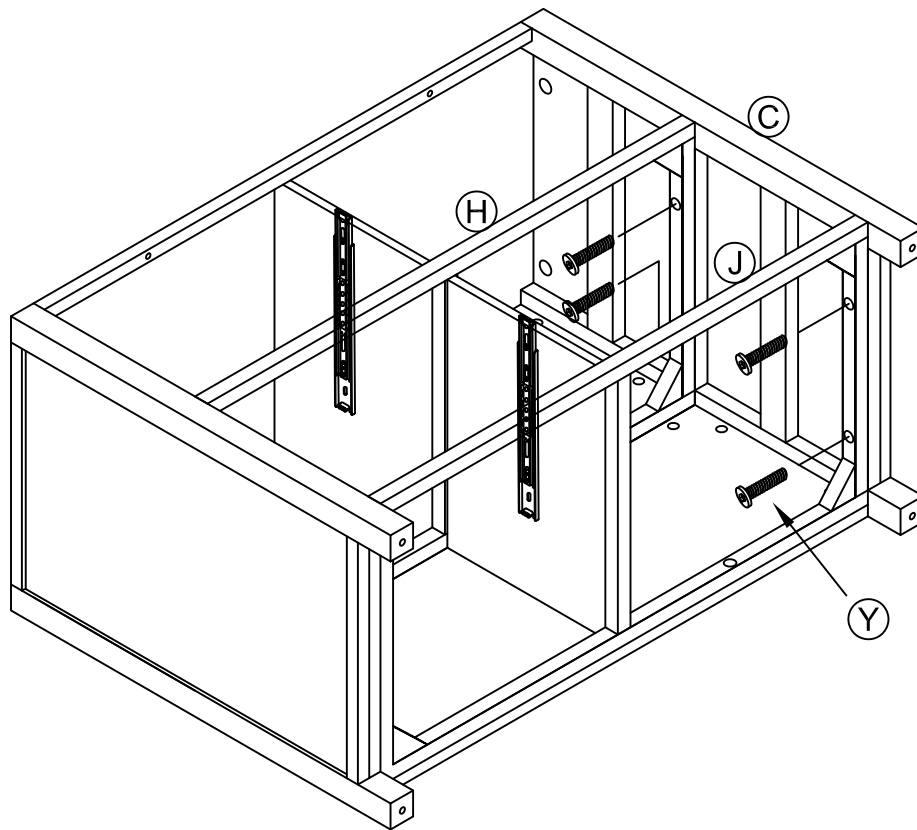
**10) . ASSEMBLE THE UP STAND PANEL (G) .**

- ROTATE THE 2 CAM-BOLTS (V) INTO THE HOLES IN THE ACROSS PANEL (H) .
- PLACE CAM-BOLTS (V) INTO THE HOLES IN THE UP STAND PANEL (G) AND ATTACH USING 2 CAM-LOCKS (W) .



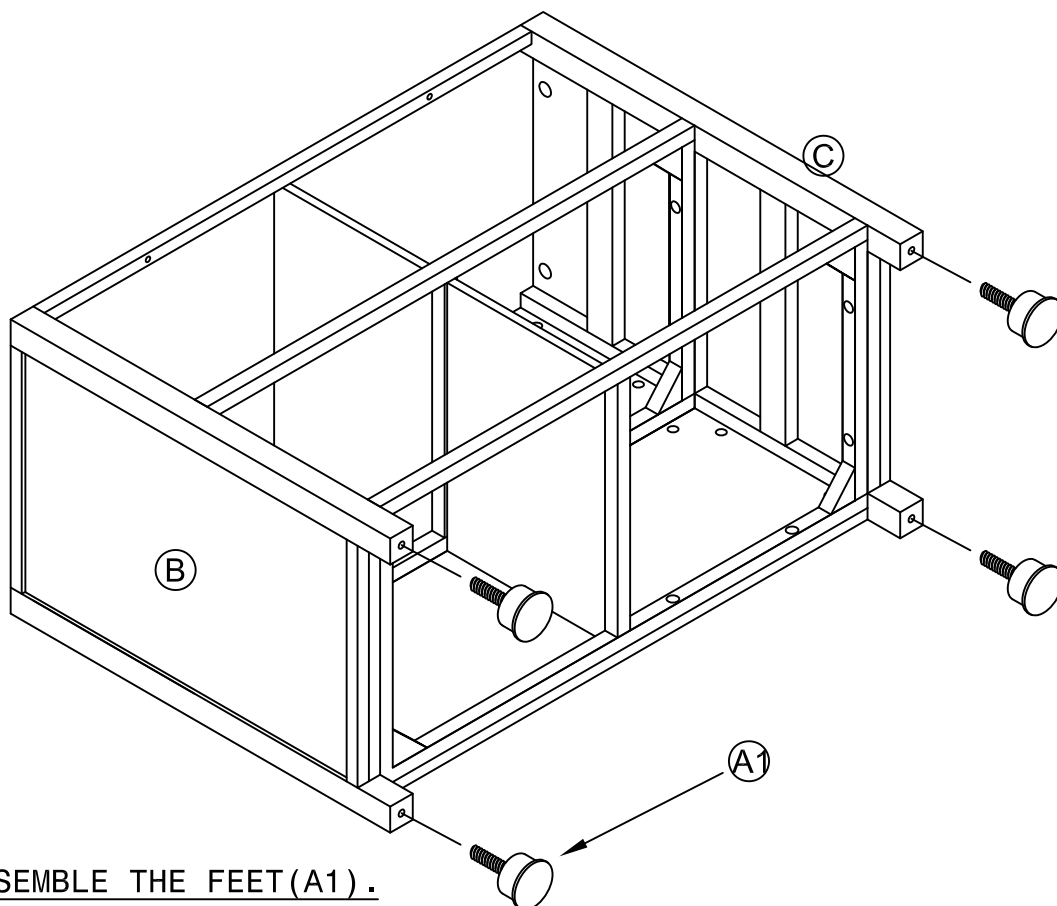
**11) . ASSEMBLE THE RIGHT SIDE PANEL(C) AND ADORNING PANEL(F) .**

- ROTATE THE 6 CAM-BOLTS(V) INTO THE HOLES IN THE PANEL(B/C) .
- PLACE CAM-BOLTS(V) INTO THE HOLES IN THE PANEL(D/E/F) AND ATTACH USING 6 CAM-LOCKS(W) .



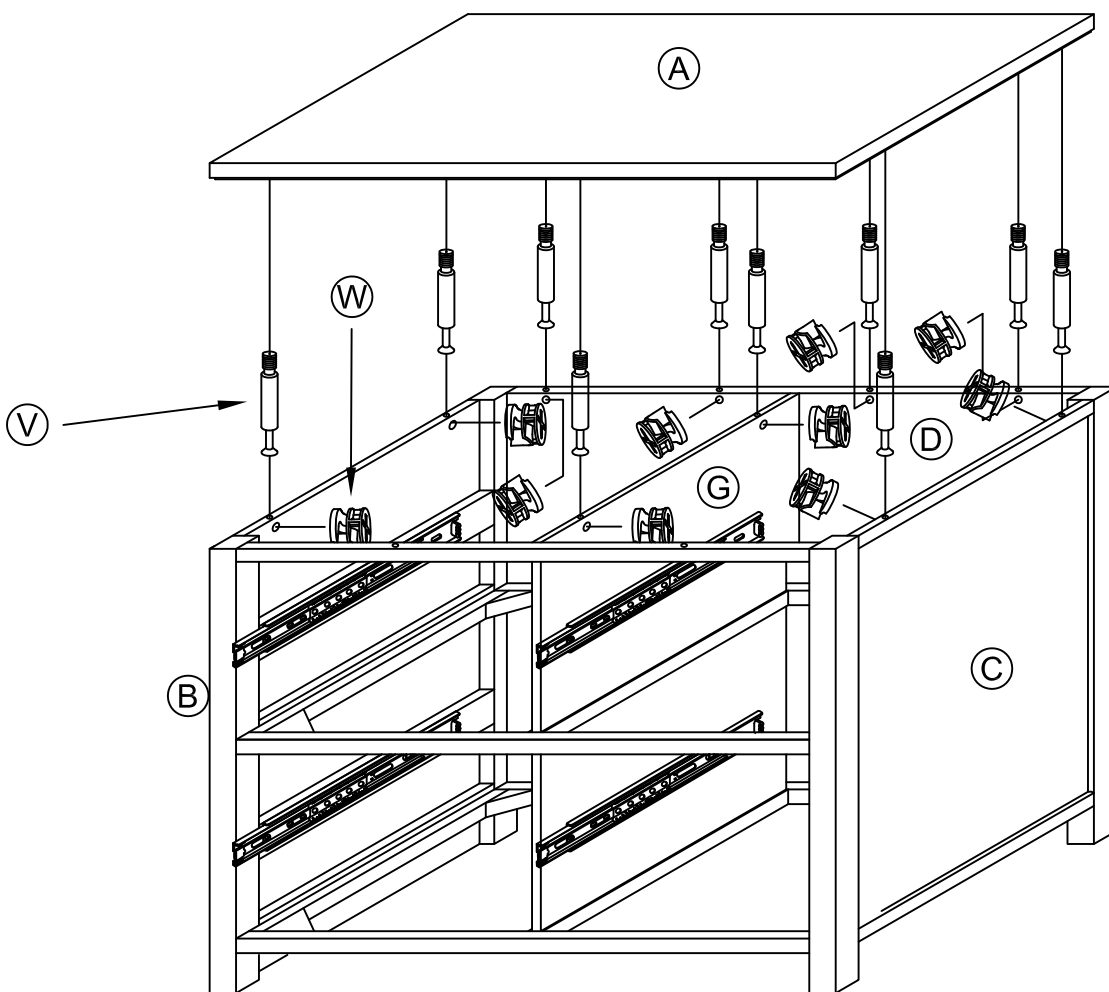
**12) . ASSEMBLE THE PANEL (H/J) .**

- ROTATE 4 SCREWS (Y) INTO THE HOLES IN THE PANEL (H/J) .



**13) . ASSEMBLE THE FEET (A1) .**

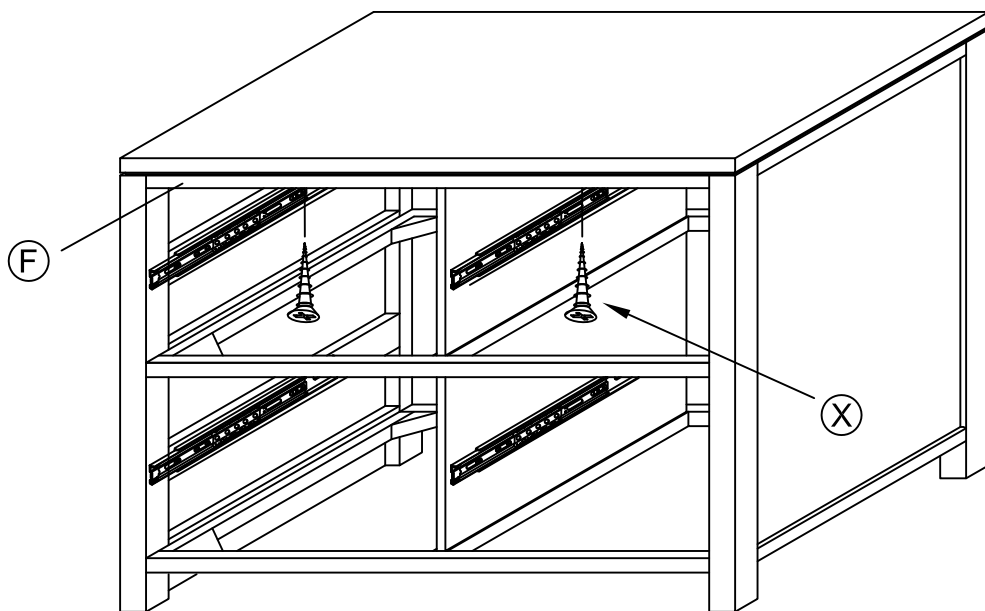
- ROTATE 4 FEET (A1) INTO HOLES IN THE PANEL (B/C) .



**14) . ASSEMBLE THE TOP PANEL (A) .**

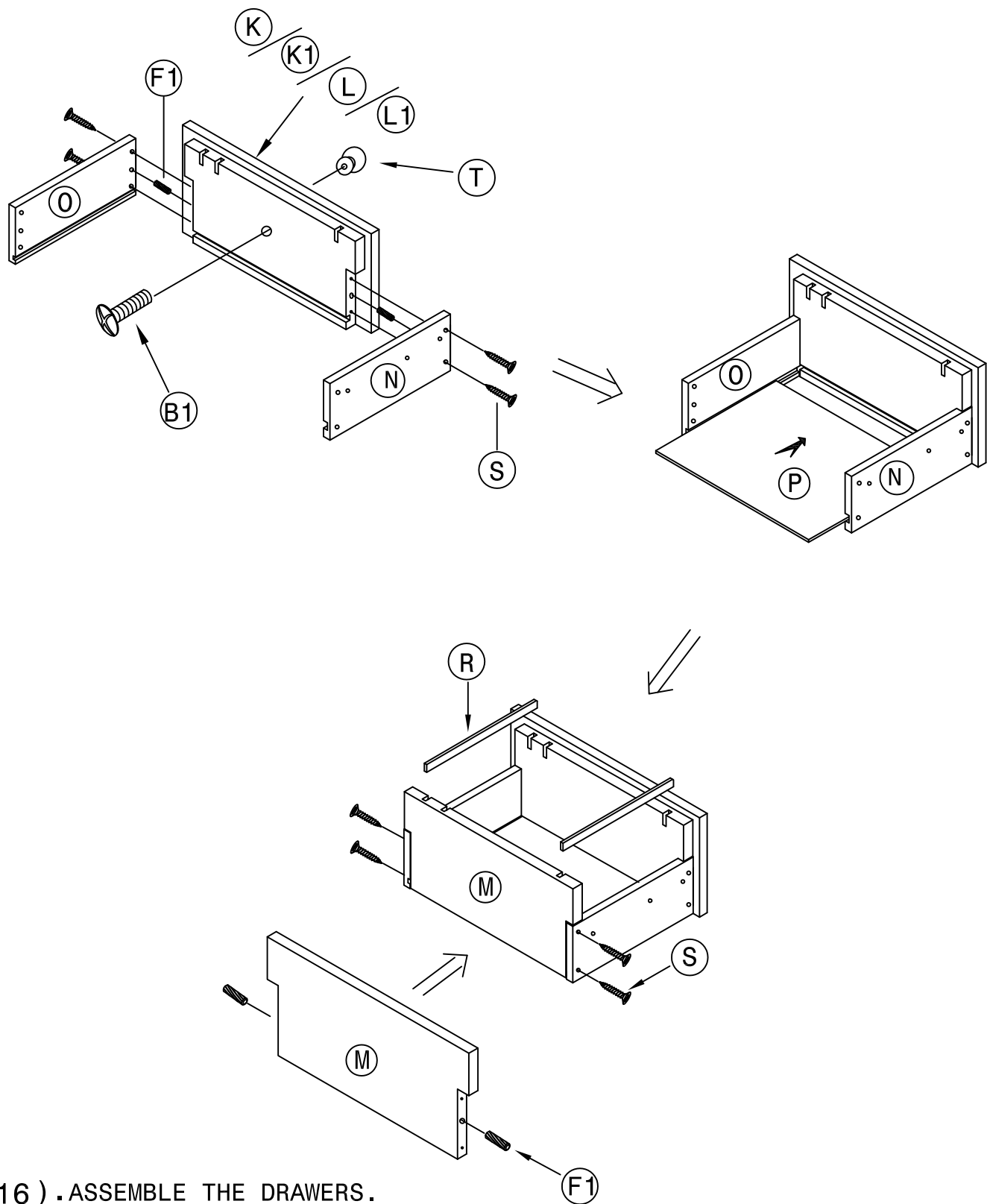
- ROTATE THE 10 CAM-BOLTS(V) INTO THE HOLES IN THE TOP PANEL(A) .
- PLACE CAM-BOLTS(V) INTO THE HOLES IN THE PANEL(B/C/D/G) AND ATTACH USING 10 CAM-LOCKS(W) .





15) ASSEMBLE THE ADORNING PANEL (F) .

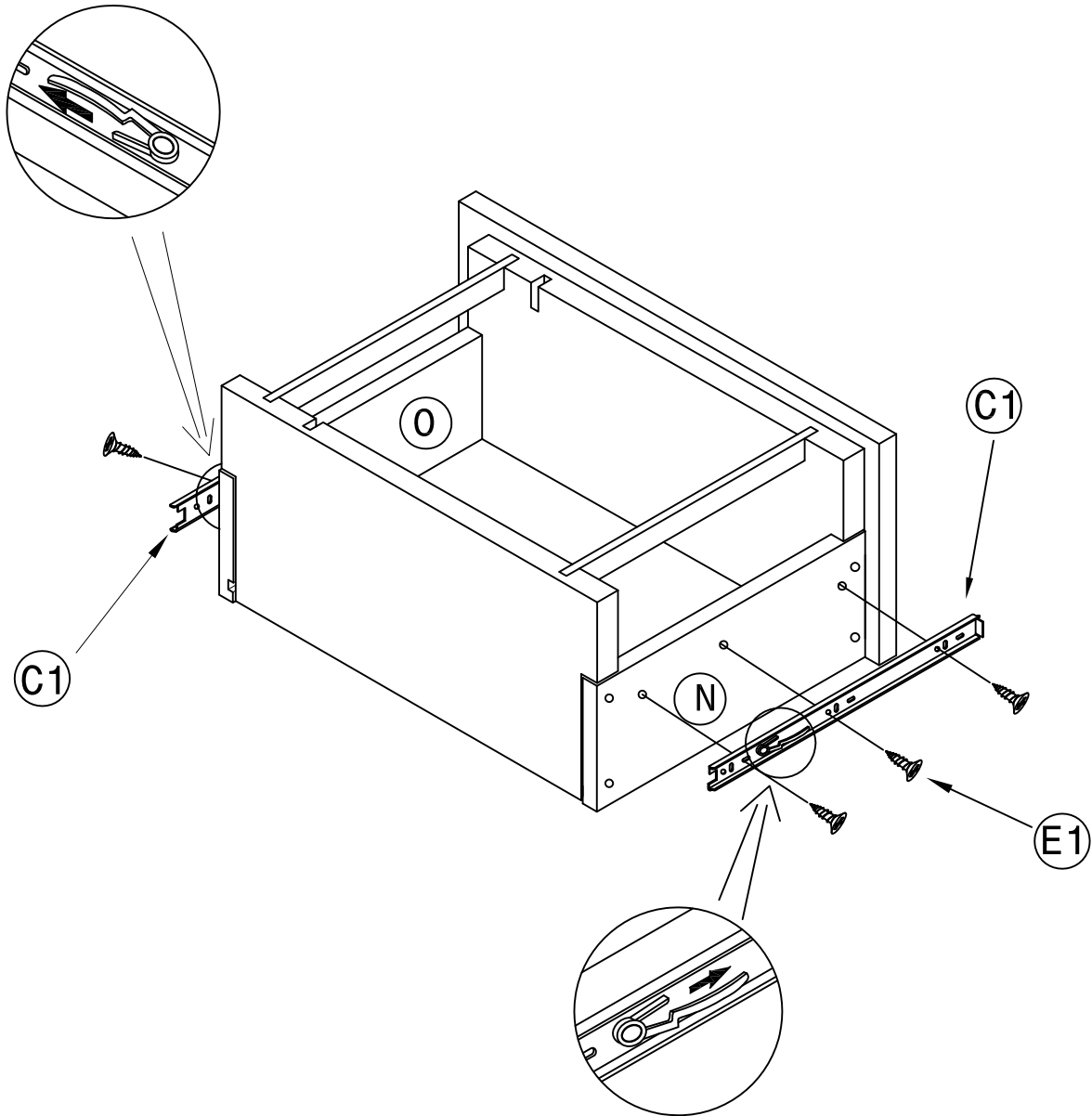
- ROTATE 2 SCREWS (X) INTO THE HOLES IN THE ADORING PANEL (F) .



## 16) .ASSEMBLE THE DRAWERS.

- INSERT 2 DOWELS(F1) INTO THE HOLES IN THE PANEL(K/K1/L/L1) AND ATTACH SIDE PANEL(N/O) USING 4 SCREWS(S).
- ATTACH A KNOB(T) TO DRAWER PANEL FRONT(K/K1/L/L1) USING A SCREW(B1).
- INSERT DRAWER PANEL BOTTOM(P) INTO THE SLOT IN THE DRAWER SIDE PANELS(N/O).
- INSERT THE 2 DOWELS(F1) INTO THE HOLES IN THE DRAWER PANEL BACK(M) AND USING 4 SCREWS(S).
- INSERT THE FILE HANGERS(R) INTO THE CUT-OUT OF THE FRONT & BACK DRAWER PANELS(K/K1/L/L1/M).

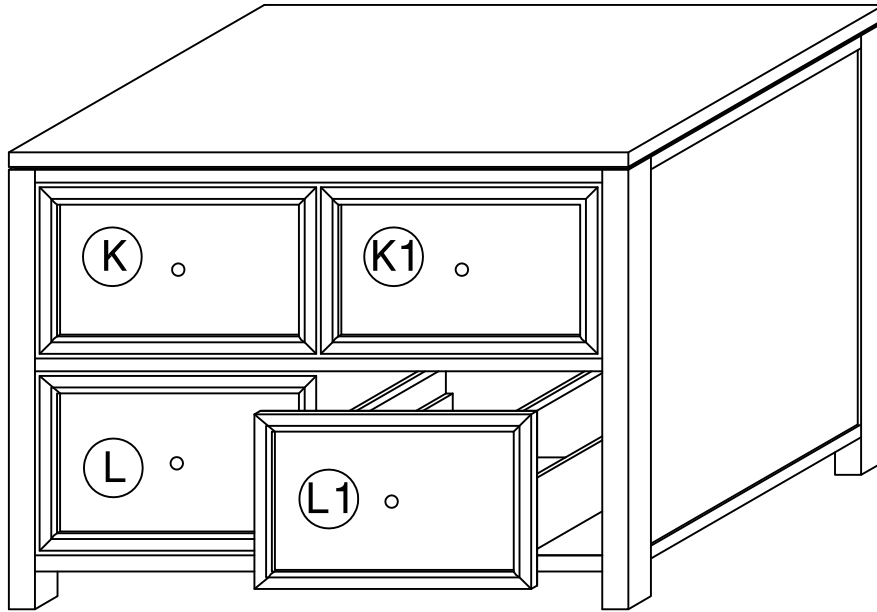
ARROW FACES DRAWER FRONT



ARROW FACES DRAWER FRONT

### 17) . ASSEMBLE THE INNER SLIDES(C1).

- ATTACH THE 2 INNER SLIDES(C1) TO DRAWER PANEL SIDE(N/O) USING 6 SCREWS(E1).



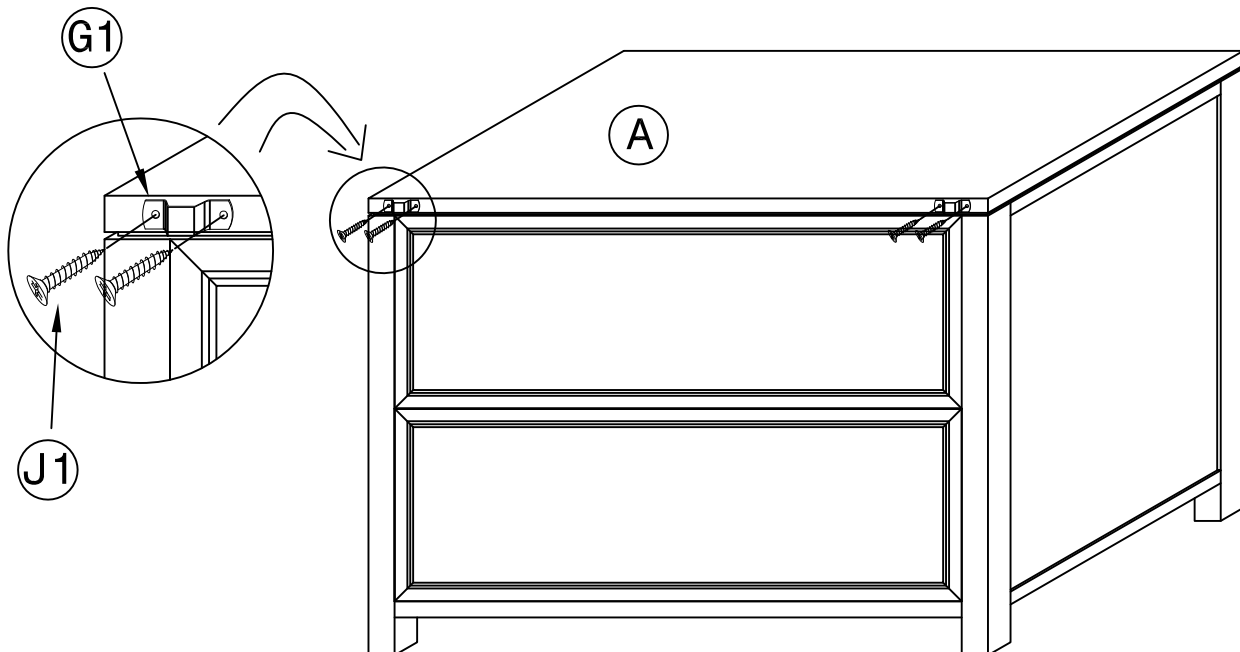
18) . ASSEMBLE THE DRAWER.

- INSERT 4 DRAWERS INTO THE SLIDERS.



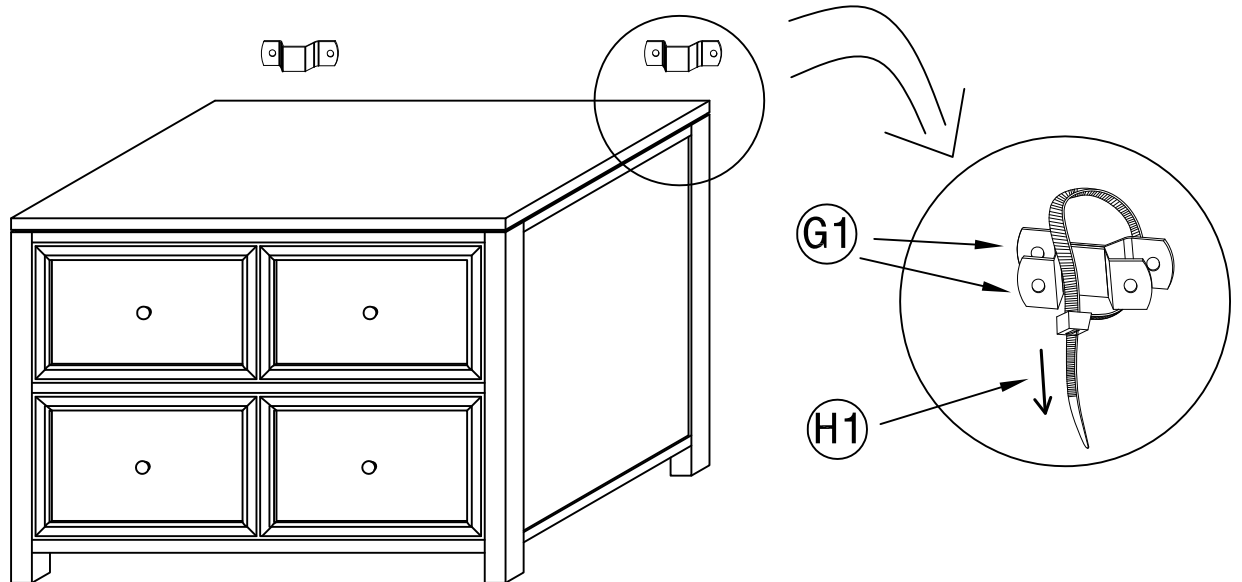
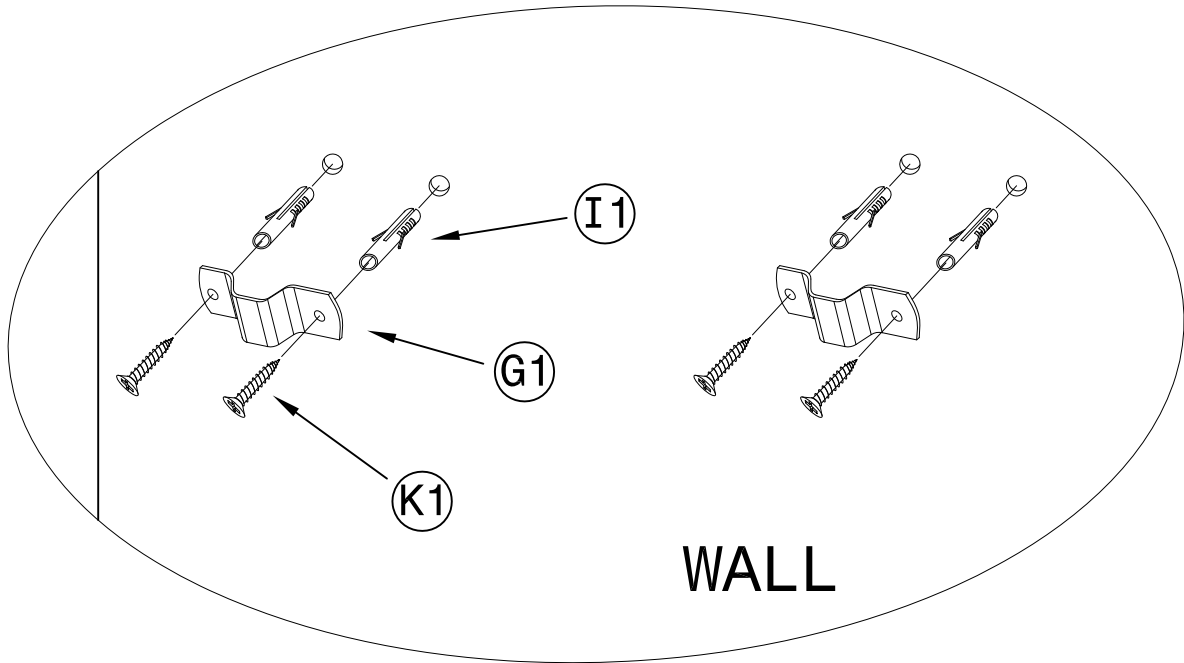
Warning

The anti-tip hardware must be used as part of assembly!



19) . ASSEMBLE THE HOOKS(G1) .

- ATTACH 2 HOOKS(G1) USING 4 SCREWS(J1) IN THE PREDRILLED HOLES OF REAR TOP PANEL(A) .



**20) . ASSEMBLE THE ANTI-TIP HARDWARE.**

- DRILL 4 HOLES INTO THE WALL, PLEASE REFER TO THE REAR TOP PANEL'S HOLE DISTANCE AND HEIGHT.
- PUT 4 GECKOS(I1) INTO THE HOLES IN THE WALL, AND ROTATE 4 SCREWS(K1) INTO THE GECKOS(I1).
- CONNECT THE TWO HOOKS WITH A PLASTIC BELT.