

Eoslift

CE
Hand Table Truck
Operating Instructions
TA Series

BEFORE YOU BEGIN

Thank you for using our lift table. Our lift table is made of high quality steel. For your safety and correct operation, please carefully read this instruction before using it.

Hand Table Truck TA Series
Ta15, TA30, TA50, TA70, TA100



Hand Table Truck TA Series

Eoslift Automation Technology Corp.
NO.99,Yan jia Road,Yuantong Town,Haiyan,Zhejiang

Year of Manufacture: 2014

CONTENTS

1 Warnings	Page 1
2 Cautions	Page 1
3 Name of Parts	Page 1
4 Daily Inspection	Page 2
5 Operation Instruction	Page 2
6 Structural Data Form	Page 4
7 Maintenance	Page 4
8 Hydraulic Circuit	Page 5
9 Parts List	Page 6

1. Warnings

- DO NOT put foot or hand in scissors mechanism.
- DO NOT allow other person to stand in front of or behind lift table when it is moving.
- DO NOT move lift table when table is in raised position. Load could fall down.
- DO NOT enter under table.
- DO NOT overload lift table.
- DO NOT put foot in front of rolling wheels. Injury could result.
- WATCH difference of floor level when moving lift table. Load could fall down.
- DO NOT use lift table on slop or inclined surface, lift table may become uncontrollable and create danger.
- DO NOT lift people. People could fall down and suffer severe injury.

2. Cautions

- Read this operation manual carefully and understand completely operating lift table. Improper operation could create danger.
- This lift table is a movable lifter designed to lift or lower rated load on table. DO NOT use lift table for other purpose than its intended use.
- DO NOT allow person to operate lift table who dose not understand its operation.
- DO NOT lower table too fast. Load could fall down and create danger.
- KEEP watching the condition of load. Stop operating lift table if load becomes unstable.
- Break the lift table when sliding load on or off table.
- DO NOT side or end load. Load must be distributed on at least 80% of table area.
- DO NOT use lift table with unstable, unbalanced loosely stacked load.
- Practice maintenance work according to service instructions.
- DO NOT modify lift table without manufacturers' written consent.
- REMOVE load from table and use safety stopper to prevent table from lowering when servicing lift table.
- This lift table is not designed to be water resistant. Use lift table under dry condition.

3. Name of parts

TA15



TA30, TA50, TA75, TA100



4. Daily inspection

Daily inspection is effective to find the malfunction or fault on lift table. Check lift table on the following points before operation.

 CAUTION
DO NOT use lift table if any malfunction or fault is found.

- (1) Check for scratch, bending or cracking on the lift table.
- (2) Check if there is any oil leakage from the cylinder.
- (3) Check the vertical creep of the table.
- (4) Check the smooth movement of the wheels.
- (5) Check the function of brake.
- (6) Check if all the bolts and nuts are tightened firmly.

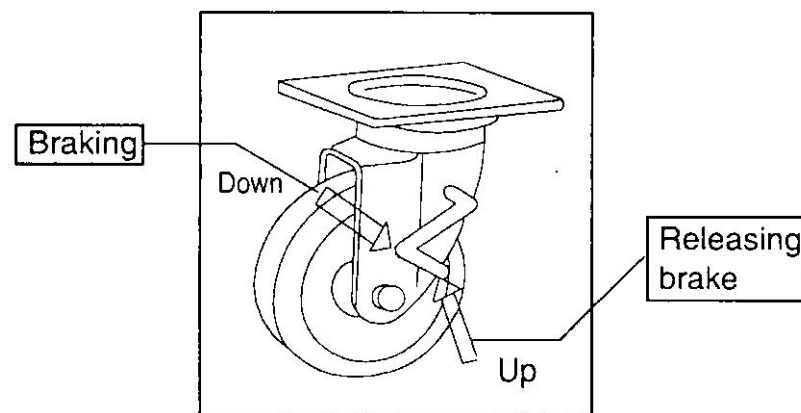
5. Operation Instruction

5-1. How to use the brake


 CAUTION
Brake lift table when not moving it in order to prevent sudden movement.

The brake is equipped with the swivel caster on the right side.

- (1) Breaking the wheel, press the brake pedal.
- (2) Releasing the brake, lift up the brake pedal.



5-2. lifting the table

 WARNINGS
<ol style="list-style-type: none"> 1. DO NOT overload lift table. Stay within its rated capacity. 2. DO NOT side or end load must be distributed on at least 80% of table area.


Press the lifting pedal several times until the table reaches the desired position. The table does not elevate after reaching the highest position even if the lifting pedal is pressed. The table lowers slightly after reaching the highest position.

5-3. Lowering table

MAXIMUM CAPACITY OF TABLE				
TA 15	TA 30	TA 50	TA 70	TA 100
150KG	300KG	500KG	700KG	1000KG

NOTE:
The hydraulic cylinder is designed to hold table. As is the nature of the hydraulic system, table lowers very slowly over and extended period of time. Please note the table does not stay at the same position indefinitely.

5-4. Fold the handles
To fold the handle, push down the lock bar and lay down the handle.

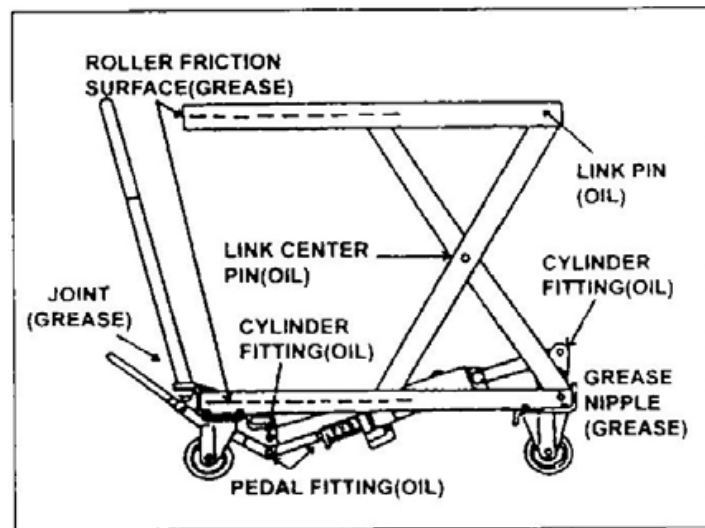
 WARNING
DO NOT put foot or hand in scissors mechanism
Pull the lowering lever up and table lowers.

6. Structural Data Form

Model	Capacity (kg)	Table (mm)	Table Height(mm)	Stroke	L X W X H (mm)	Pedaling to top (approx. times)	Wheel (mm)	Weight (kg)
TA15	150	450X700	260-755	515	1000X450 X950	16	100	41
TA30	300	500X830	330-910	592	1100X500X1010	25	125	78
TA50	500	520X1010	435-1000	568	1130X520X1185	44	150	118
TA70	700	520X1010	422-1000	565	1130X520X1260	55	150	120
TA100	1000	520X1010	445-950	520	1130X520X1260	68	150	137

7. Maintenance

7-1. Lubricate each point described below every

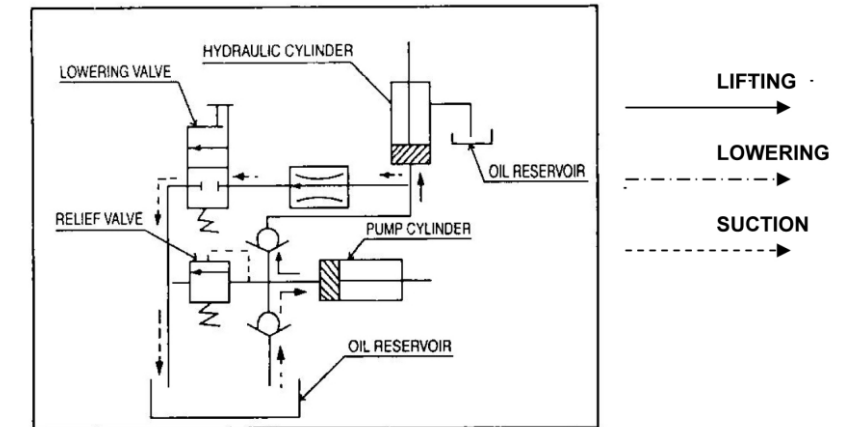


7-2. Change hydraulic oil every 12 months.

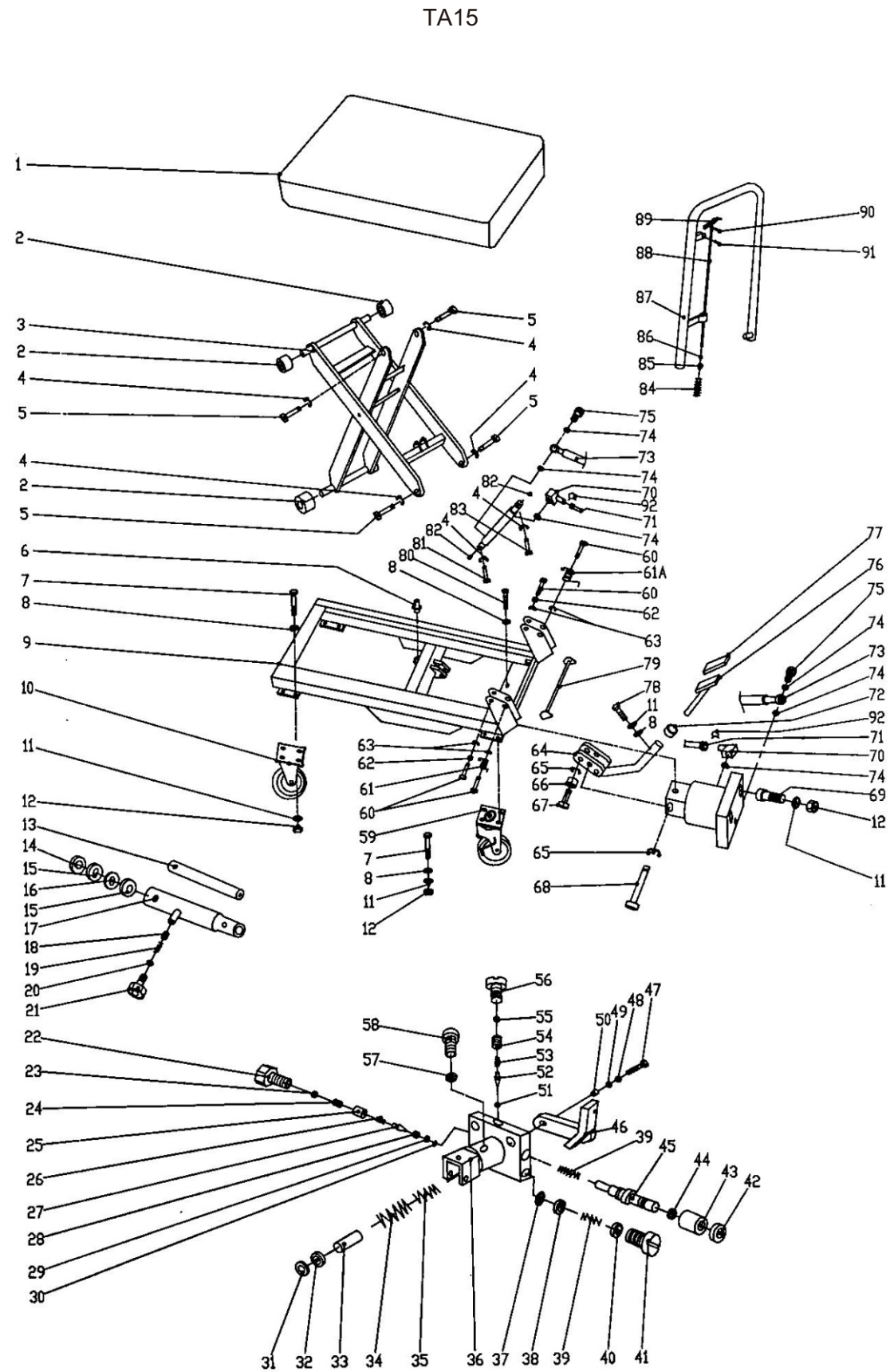
Lubricating Points

- (1) Fitting of cylinderOil
- (2) Roller friction surface.....Grease
- (3) Link Pin.....Oil
- (4) Pedal fitting point.....Oil
- (5) Link center pin.....Oil
- (6) Joint.....Grease
- (7) Grease nipple.....Grease
- (8) Hydraulic circuit

8. Hydraulic Circuit



9 Parts List

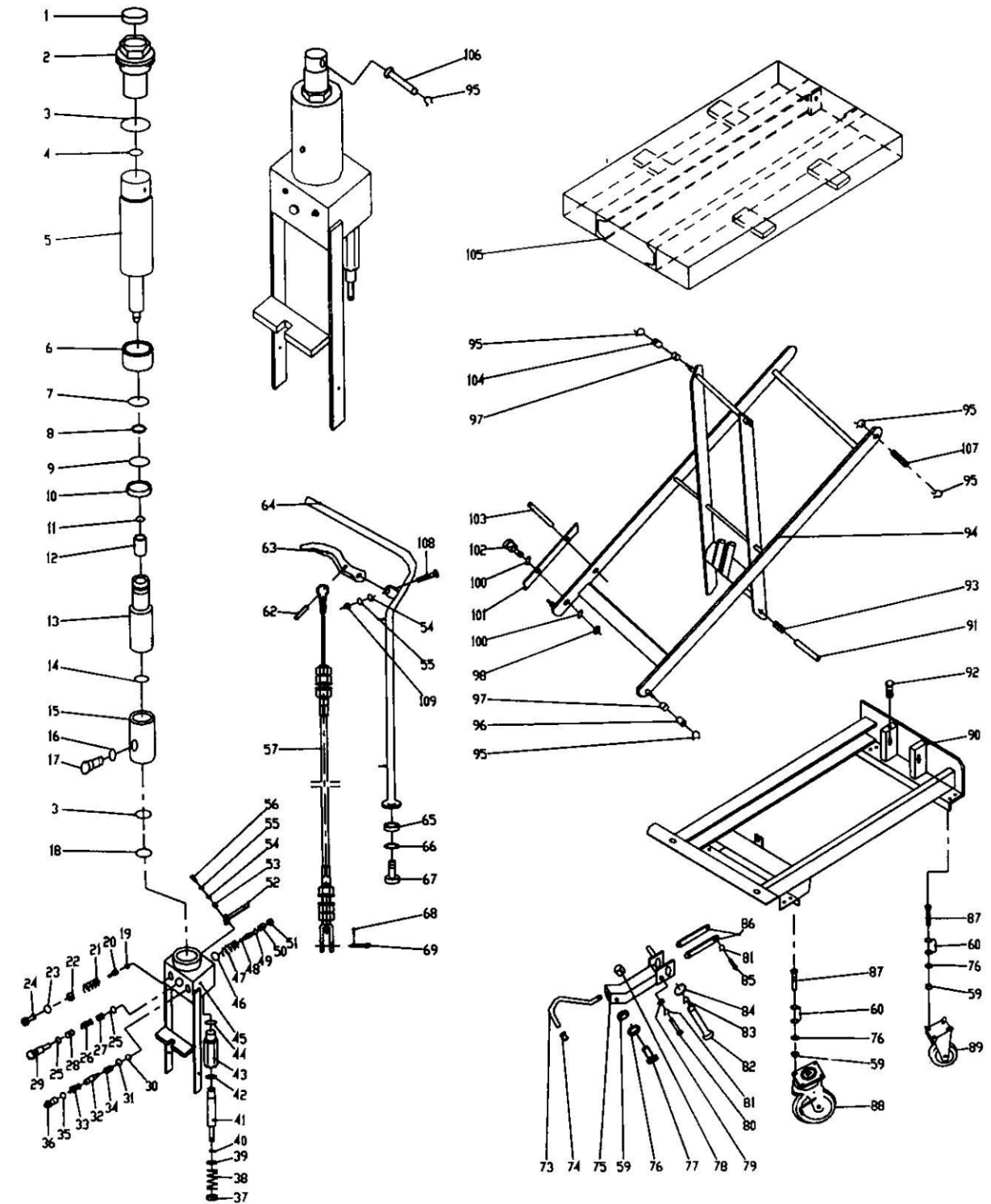


LIFT TABLE TRUCK PARTS LIST: TA15 / TA15

NO.	DESCRIPTION	QTY	NO.	DESCRIPTION	QTY
1	Table pair	1	52	Steel ball holder	1
2	Guide roller	4	53	Relief spring	1
3	Scissors	1	54	Regulating pressure plug	1
4	Snap ring	6	55	O ring	1
5	Link pin	4	56	Relief plug	1
6	Safety pin	1	57	O ring	1
7	Hex bolt	16	58	Plug	1
8	Washer	18	59	Rear wheel	2
9	Frame pair	1	60	Handle pin	4
10	Front wheel	2	61	Handle lock spring L	1
11	Spring washer	19	61A	Handle lock spring R	1
12	Hex. nut	18	62	Bushing	2
13	Piston rod	1	63	Snap ring	4
14	Dust seal	1	64	Pedal holder	1
15	O ring	2	65	Snap ring	2
16	Back up ring	1	66	Pressure roller	1
17	Cylinder pair	1	67	Pressure roller pin	1
18	Spring seat	1	68	Pedal Pivot Pin	1
19	Spring	1	69	Hex. bolt	2
20	Seal ring	1	70	Elbow	2
21	Joint	1	71	Oil rectum hose	1
22	Flow control joint	1	72	Rubber bushing	1
23	O ring	1	73	High pressure hose	1
24	Adjust casing	1	74	Seal ring	6

25	Spring seat	1	75	Adaptor	2
26	Valve spring	1	76	Pedal Pair	1
27	Conical valve	1	77	Pedal rubber	1
28	Valve seat	1	78	Hex bolt	1
29	O ring	1	79	Lock bar	1
30	Steel ball Φ 7	1	80	Hex. bolt	1
31	Dust seal	1	81	Cylinder pivot pin	1
32	Y ring	1	82	Great fitting	2
33	Plunger	1	83	Piston head pin	1
34	Pump spring B	1	84	Roller chain	1
35	Pump spring A	1	85	Valve rod II	1
36	Pump bass	1	86	Nut M6	1
37	Net	1	87	Handle pair	1
38	Washer	1	88	Valve rod I	1
39	Back valve spring	2	89	Control link	1
40	O-ring	1	90	Roll pin	1
41	Plug	1	91	Roll pin	1
42	O ring	1	92	Check ring	2
43	Steering bush	1			
44	O ring	1			
45	Discharge lever	1		Cylinder Assembly	13-21
46	Valve arm	1		Pump Unit Assembly	64-78
47	Socket head screw	1		Pump Unit Sub Assembly	22-58
48	Spring washer	1		Handle Assembly	84-91
49	Washer	1		Pedal Assembly	76-77
50	Bushing	1		Seal kit assembly 14, 15, 20, 23, 29, 31, 32, 40, 42, 44, 55, 57, 74	
51	Steel ball	1			

TA 30



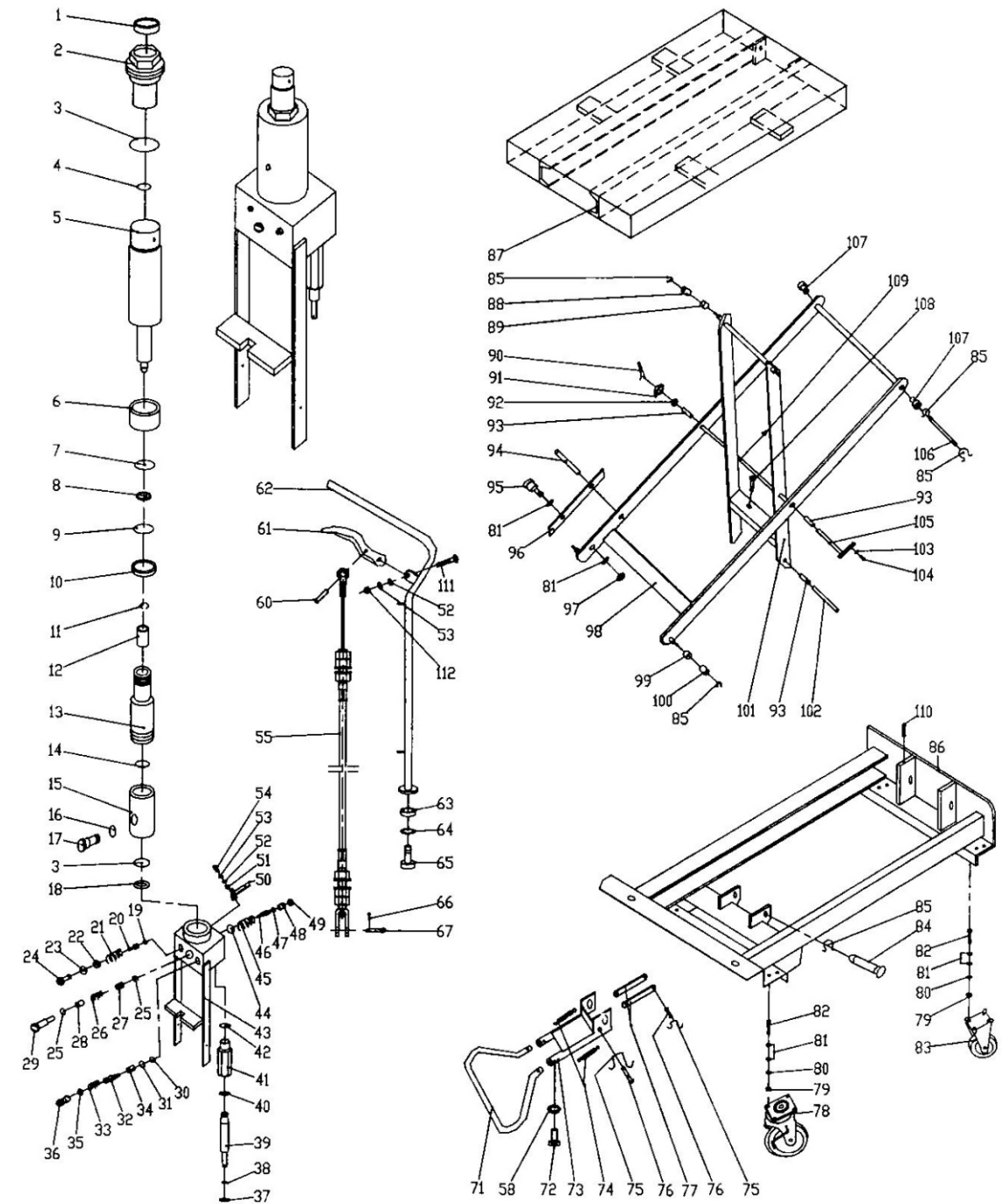
LIFT TABLE TRUCK PARTS LIST: TA30 / TA30

NO.	DESCRIPTION	QTY	NO.	DESCRIPTION	QTY
1.	Seal cover d30xD42x7	1	56	Hex screw M6x16	1
2.	Cylinder cover	1	57	Put pressure assembly line	1
3.	O-ring d63x2.65	2	59	Nut M8	17
4.	O-ring d30x3.55	1	60	Washer 8	30
5.	Piston rod	1	62	Spring pin	1
6.	Spacing casing	1	63	Control link	1
7.	Guide ring δ 1.5x15	1	64	Handle	1
8.	O-ring D20x2.4	1	65	Spacing casing	2
9.	Seal ring d34xD40x4.5	1	66	Spring washer 12	2
10.	Piston rod retainer	1	67	Hexagon head stud M12x30	2
11	Retaining ring 18	1	68	Split pin	1
12.	Piston	1	69	Pin	1
13..	Cylinder	1	73	Pedal bent pipe	1
14.	Cylinder washer	1	74	Pedal rubber	1
15.	Reservoir	1	75	Shake link	1
16.	O-ring d10x2.65	1	76	Spring washer 8	17
17.	Filler screw	1	77	Hex screw	1
18.	Washer for reservoir	1	78	Buffer mat	1
19.	Steel ball 5	1	79	Partition set	1
20.	Spring base	1	80	Pin axle	1
21.	Regulating pressure spring	1	81	Retainer 10	2
22.	Regulating pressure screw	1	82	Pin axle	1
23.	O-ring d7.1x1.8	1	83	Retainer 20	1

24.	End cover	1	84	Washer	1
25.	O-ring d15x2.65	2	85	Pin axle	1
26.	Regulating speed spring	1	86	Link	2
27.	Regulating speed slide valve	1	87	Hex screw M8x25	16
28.	Regulating speed spring casing	1	88	Wheel	2
29.	Regulating speed valve casing	1	89	Wheel	2
30.	Steel ball 7	1	90	Chassis	1
31.	O-ring d6.9x1.8	1	91	Pin axle	1
32.	Conical valve	1	92	Bolt M6x8	1
33.	Check valve spring	1	93	Bushing	2
34.	Check valve casing	1	94	Scissors lever	1
35.	O-ring d10x1.8	1	95	Retainer 16	9
36.	Check valve screw	1	96	Roller for chassis	2
37.	Spring base	1	97	Bushing	2
38.	Spring	1	98	Nut M10	2
39.	Seal cover d18xD25x4.5	1	100	Washer 10	4
40.	O-ring d18x2.6	1	101	Safety rod	2
41.	Pump plunger	1	102	Screw bolt M10x40	2
42.	Y-ring	1	103	Spring pin 8x30	2
43.	Pump body for plunger	1	104	Roller for table	2
44.	O-ring d28x3.1	1	105	Table	1
45.	Pump body	1	106	Pin axle	1
46.	O-ring d10.6x2.65	1	107	Pin axle	2
47.	Spring	1	108	Screw M6x30	1
48.	Reflux rod	1	109	Cover-type nut M6	1
49.	O-ring d4x1.8	1			

50.	Guide casing	1	Pump assembly 1~51 Swivel wheel assembly 88 Front wheel assembly 89 Seal kit assembly 1, 3, 4, 7, 8, 9, 16, 23, 25, 31, 35, 39, 40, 42, 44, 46, 49 Handle assembly 54, 55, 57, 62, 63, 64, 68, 69, 108, 109
51.	Protect casing	1	
52.	Lever	1	
53.	Lever bushing	1	
54.	Washer 6	2	
55.	Spring washer 6	1	

TA 50



LIFT TABLE SPARE PARTS LIST: TA50 / TA50

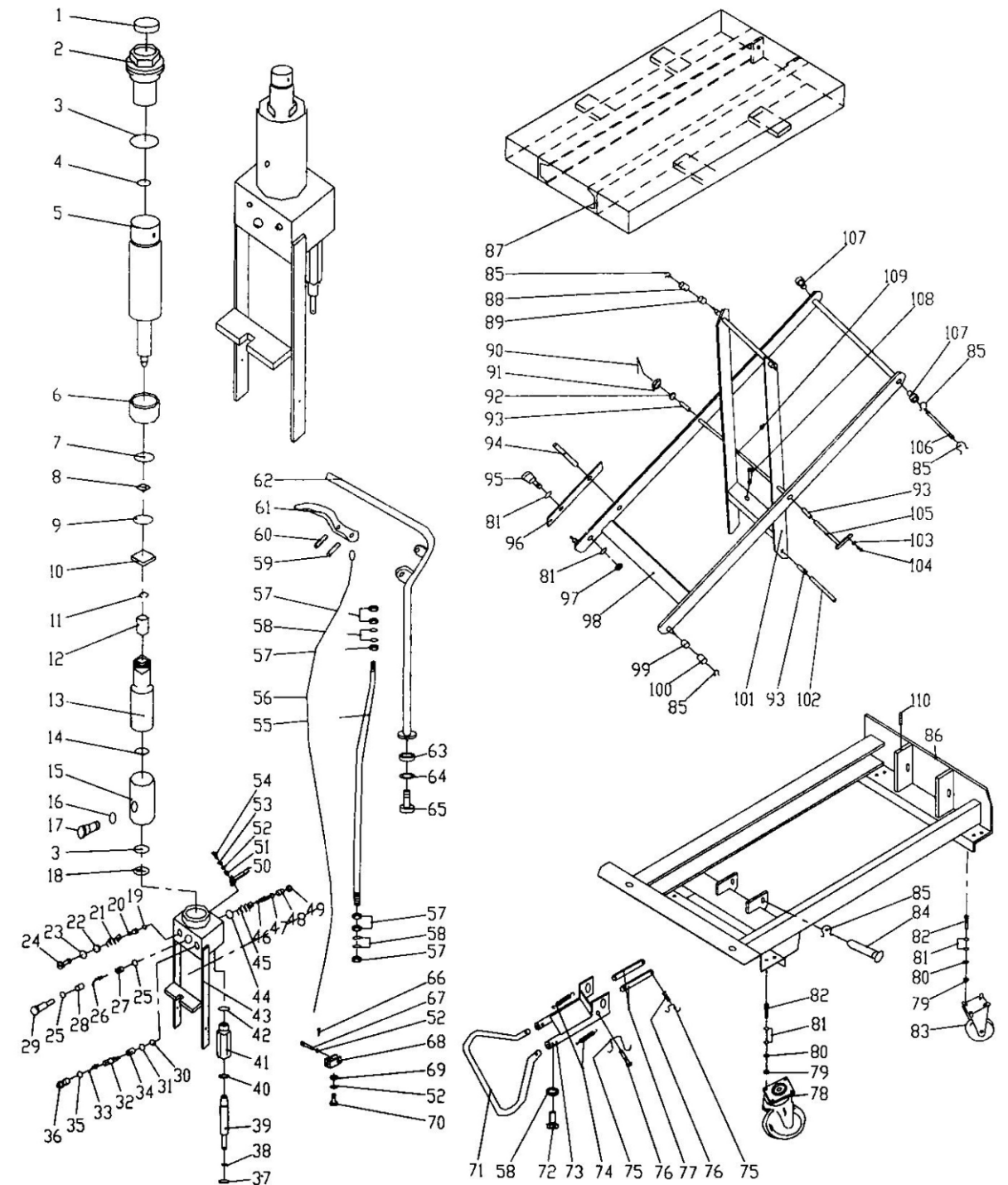
NO.	DESCRIPTION	QTY	NO.	DESCRIPTION	QTY
1	Seal cover d30xd42x7	1	61	Control link	1
2	Cylinder cover	1	62	Handle	1
3	O-ring D63x2.65	2	63	Spacing casing	2
4	O-ring D30x3.55	1	64	Spring washer	2
5	Piston Rod	1	65	Hex washer	2
6	Spacing casing	1	66	Split pin	1
7	Guide ring $\delta 1.5 \times 15$	1	67	Pin	1
8	O-ring D20x2.4	1	71	Pedal bent pipe	1
9	Seal Ring	1	72	Hex screw	2
10	Retainer for piston rod	1	73	Shake link	1
11	Spacing retainer 18	1	74	Spring	2
12	Piston	1	75	Retainer	2
13	Cylinder	1	76	Pin axle	2
14	Washer for cylinder	1	77	Link	2
15	Reservoir	1	78	Wheel	2
16	O-ring	1	79	Nut	16
17	Filler screw	1	80	Spring washer	16
18	Washer for reservoir	1	81	Washer	36
19	Steel ball	1	82	Hex screw	16
20	Spring base	1	83	Wheel	2
21	Regulating pressure spring	1	84	Axle	1
22	Regulating pressure screw	1	85	Retainer	7
23	O-ring	1	86	Chassis	1
24	End cover	1	87	Table	1

25	O-ring	2	88	Roller for table	2
26	Regulating speed spring	1	89	Bushing	2
27	Regulating slide-valve	1	90	Split pin	1
28	Regulating speed spring casing	1	91	Nut	1
29	Regulating speed slide-casing	1	92	Washer	1
30	Steel ball	1	93	Bushing	4
31	O-ring	1	94	Spring pin	2
32	Conical valve	1	95	Screw bolt	2
33	Spring	1	96	Safety rod	2
34	Check valve casing	1	97	Nut	2
35	O-ring	1	98	External scissor lever	1
36	Check valve screw	1	99	Bushing	2
37	Seal cover	1	100	Roller for chassis	2
38	O-ring	1	101	Internal scissors lever	1
39	Pump plunger	1	102	Pin axle for chassis	1
40	Y-ring	1	103	Spring washer	1
41	Pump body for plunger	1	104	Hex screw	1
42	O-ring	1	105	Pin axle for scissors	1
43	Pump body	1	106	Pin axle for table	1
44	O-ring	1	107	Bushing	2
45	Spring	1	108	Bolt	1
46	Reflux rod	1	109	Oil cup	2
47	O-ring	1	110	Bolt	1
48	Guide casing	1	111	Screw	1
49	Protect casing	1	112	Cover-type nut	1

50	Lever	1	
51	Lever bushing	1	
52	Washer	2	
53	Spring washer	2	
54	Hex screw	1	
55	Put pressure assembly line	1	
58	Washer	2	
59	Spring pin	1	
60	Spring pin	1	

A Pump assembly 1-49
 B Swivel wheel assembly 78
 C Front wheel assembly 83
 D Sea I kit assembly
 1,3,4,7,8,9,16,23,25,
 31,35,37,38,40,42,44,47
 E Handle assembly
 52,55-62,66-7 0

TA 70



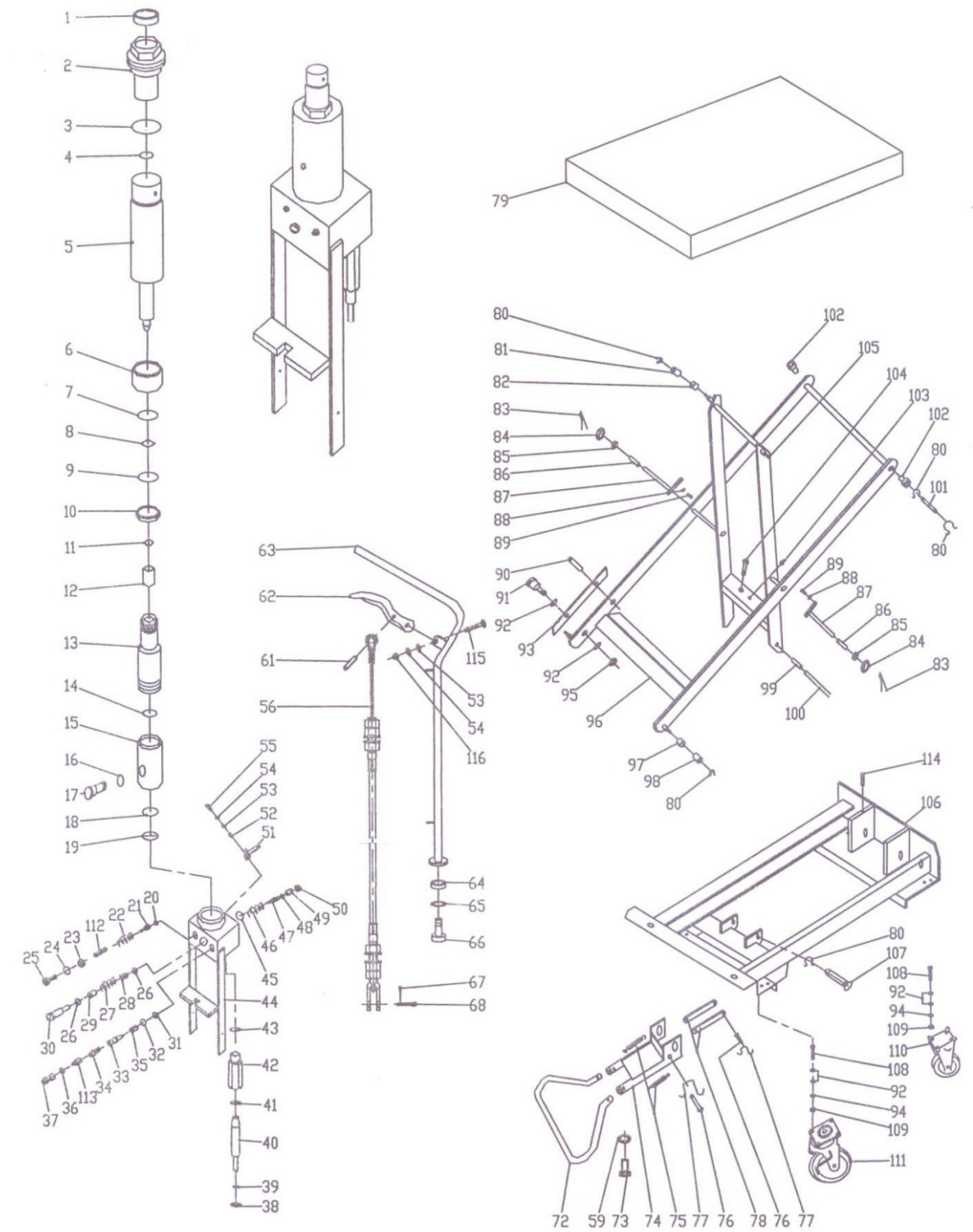
LIFT TABLE SPARE PARTS LIST: TA70

NO.	DESCRIPTION	QTY	NO.	DESCRIPTION	QTY
1	Seal cover	1	61	Control link	1
2	Cylinder cover	1	62	Handle	1
3	O-ring	2	63	Spacing casing	2
4	O-ring	1	64	Spring washer	2
5	Piston Rod	1	65	Hex washer	2
6	Spacing casing	1	66	Split pin	1
7	Guide ring	1	67	Pin	1
8	O-ring	1	68	U fork	1
9	Seal Ring	1	69	Nut	1
10	Retainer for piston rod	1	70	Bolt	1
11	Spacing retainer	1	71	Pedal bent pipe	1
12	Piston	1	72	Hex screw	2
13	Cylinder	1	73	Shake link	1
14	Washer for cylinder	1	74	Spring	2
15	Reservoir	1	75	Retainer	2
16	O-ring	1	76	Pin axle	2
17	Filler screw	1	77	Link	2
18	Washer for reservoir	1	78	Wheel	2
19	Steel ball	1	79	Nut	16
20	Spring base	1	80	Spring washer	16
21	Regulating pressure spring	1	81	Washer	36
22	Regulating pressure screw	1	82	Hex screw	16
23	O-ring	1	83	Wheel	2
24	End cover	1	84	Axle	1

25	O-ring	2	85	Retainer	7
26	Regulating speed spring	1	86	Chassis	1
27	Regulating slide-valve	1	87	Table	1
28	Regulating speed spring casing	1	88	Roller for table	2
29	Regulating speed slide-casing	1	89	Bushing	2
30	Steel ball	1	90	Split pin	1
31	O-ring	1	91	Nut	1
32	Conical valve	1	92	Washer	1
33	Spring	1	93	Bushing	4
34	Check valve casing	1	94	Spring pin	2
35	O-ring	1	95	Screw bolt	2
36	Check valve screw	1	96	Safety rod	2
37	Seal cover	1	97	Nut	2
38	O-ring	1	98	External scissor lever	1
39	Pump plunger	1	99	Bushing	2
40	Y-ring	1	100	Roller for chassis	2
41	Pump body for plunger	1	101	Internal scissors lever	1
42	O-ring	1	102	Pin axle for chassis	1
43	Pump body	1	103	Spring washer	1
44	O-ring	1	104	Hex screw	1
45	Spring	1	105	Pin axle for scissors	1
46	Reflux rod	1	106	Pin axle for table	1
47	O-ring	1	107	Bushing	2
48	Guide casing	1	108	Bolt	1
49	Protect casing	1	109	Oil cup	2

50	Lever	1	110	Bolt	1
51	Lever bushing	1	A Pump assembly 1-49 B Swivel wheel assembly 78 C Front wheel assembly 83 D Seal kit assembly 1,3,4,7,8,9,16,23 25,31,35,37,38,40,42,44,47 E Handle assembly 52,55-62,66-70		
52	Washer	2			
53	Spring washer	2			
54	Hex screw	1			
55	Tube for steel wire	1			
56	Steel wire	1			
57	Nut	4			
58	Washer	2			
59	Spring pin	9			
60	Spring pin	1			

TA 100



LIFT TABLE SPARE PARTS LIST: TA100

NO.	DESCRIPTION	QTY	NO.	DESCRIPTION	QTY
1	Seal cover d35*D43.5*5	1	61	Spring pin	1
2	Cylinder cover	1	62	Control link	1
3	O-ring d75*3.55	1	63	Handle	1
4	O-ring d35.5*3.55	1	64	Spacing casing	2
5	Piston Rod	1	65	Spring washer12	2
6	Spacing casing	1	66	Hex screw M12*30	2
7	Guiding \$2*15	1	67	Split pin 2*15	1
8	O-ring D20*2.4	1	68	Pin	1
9	Seal ring d39*D45*4.5	1	72	Pedal bent pipe	1
10	Retainer for piston rod	1	73	Hex screw M8*20	2
11	Spacing retainer 18	1	74	Shake link	1
12	Piston	1	75	Spring	2
13	Cylinder	1	76	Pin axle	2
14	Washer for cylinder	1	77	Retainer 10	2
15	Reservoir	1	78	Link	2
16	O-ring d10*2.65	1	79	Table	1
17	Filler screw	1	80	Retainer 20	7
18	O-ring d75*2.65	1	81	Roller for table	2
19	Washer for reservoir	1	82	Bushing	2
20	Steel ball 5	1	83	Split pin 3.2*26	2

21	Spring base	1	84	Nut M16	2
22	Regulating pressure spring	1	85	Washing	2
23	Regulating pressure screw	1	86	Bushing	2
24	O-ring d7.1*1.8	1	87	Pin axle for scissors	2
25	End cover	1	88	Spring washer 8	2
26	O-ring d15*2.65	1	89	Hex screw M8*16	2
27	Regulating speed spring	1	90	Spring pin8*30	2
28	Regulating slide-valve	1	91	Screw bolt M10*40	2
29	Regulating speed spring casing	1	92	Washer 10	36
30	Regulating speed spring casing	1	93	Safety rod	2
31	Steel ball 7	1	94	Spring washer10	16
32	O-ring d6.9*1.8	1	95	Nut M10	2
33	Conical valve	1	96	External scissors lever	1
34	Spring	1	97	Bushing	2
35	Check valve casing	1	98	Roller for chassis	2
36	O-ring d10*1.8	1	99	Bushing	2
37	Check valve screw	1	100	Pin axle for chassis	1
38	Seal cover d18*D25*4.5	1	101	Pin axle for table	1
39	O-ring d18*2.65	1	102	Bushing	2
40	Pump plunger	1	103	Oil cup	1
41	Y-ring d10*D18*6	1	104	Bolt M8*12	1

42	Pump body for plunger	1	105	Internal scissors lever	1
43	O-ring D28*3.1	1	106	Chassis	1
44	Pump body	1	107	Axle	1
45	O-ring d10.6*2.65	1	108	Hex sock screw M10*25	16
46	Spring	1	109	Nut M10	16
47	Reflux rod	1	110	Wheel	2
48	O-ring d4*1.8	1	111	Wheel	2
49	Guide casing	1	112	Rod	1
50	Protect casing	1	113	Rod	1
51	Lever	1	114	Bolt M6*8	1
52	Lever bushing	1	115	Screw M6*30	1
53	Washer6	2	116	Cover-tap nut M6	1
54	Spring washer6	2	A Pump assembly 1~50,112,113 B Swivel wheel assembly111 C Front wheel assembly 110 D Seal kit assembly1,3,4,7,8,9,16, 18,24,26,32,36,39,41,43,4 5,48 E Handle assembly 53, 54, 56, 61, 62, 63, 67, 68, 115, 116		
55	Hex sock screw M6*16	1			
56	Put pressure assembly line	1			
59	Washer8	2			