

Features

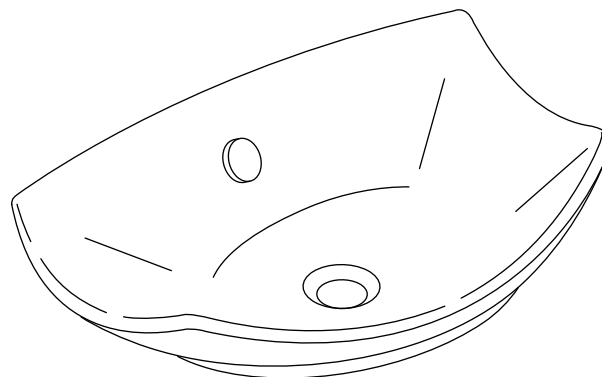
- Fireclay
- With overflow
- Above-the-counter
- 23-5/8" (600 mm) x 15" (381 mm)

Codes/Standards Applicable

Specified model meets or exceeds the following:

- ASME A112.19.2/CSA B45.1

VESSELS BATHROOM SINK K-2530



Colors/Finishes

- 0: White

Specified Model

Model	Description	Colors/Finishes
K-2530	Vessels bathroom sink	<input type="checkbox"/> 0

Product Specification

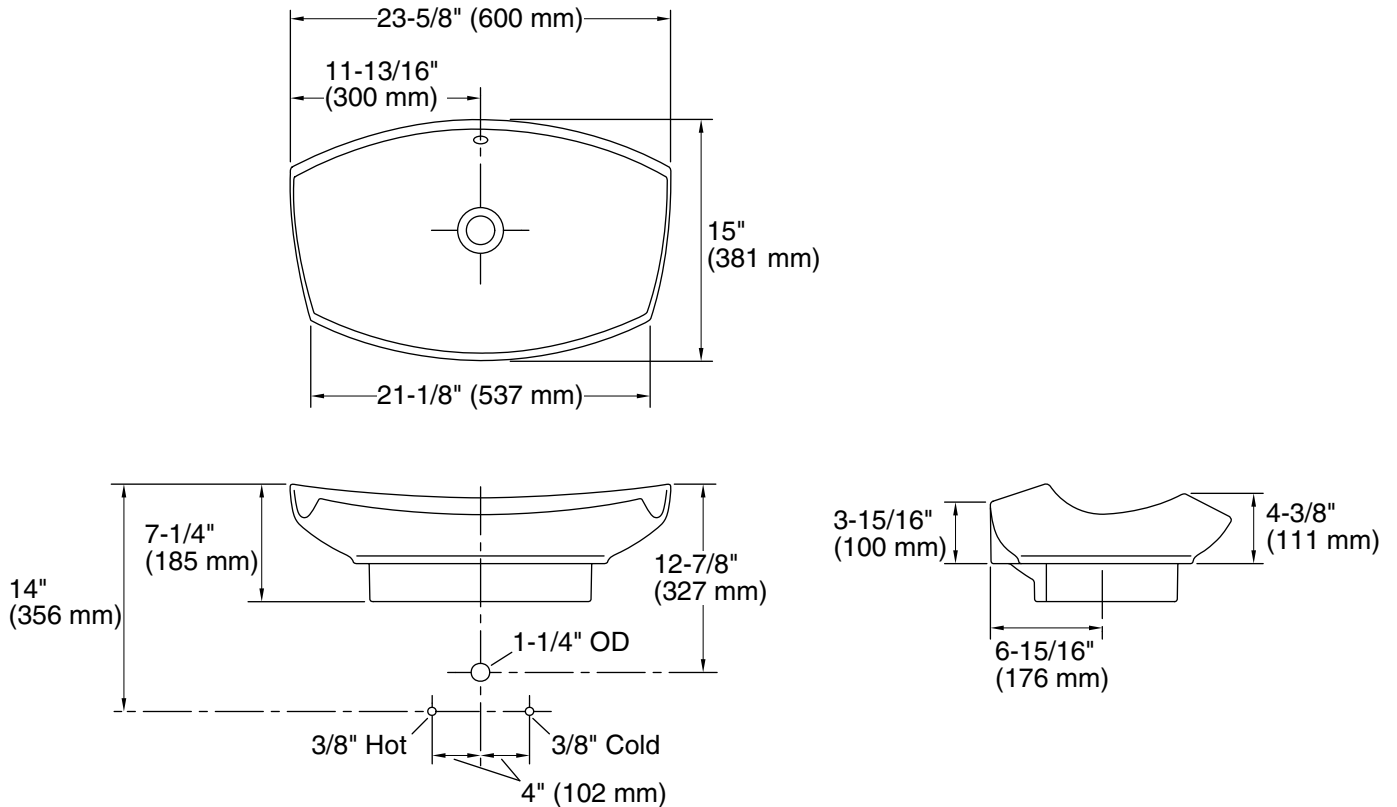
The vessels bathroom sink shall be 23-5/8" (600 mm) in length and 15" (381 mm) in width. Bathroom sink shall be made of fireclay and mounted above-counter. Bathroom sink shall have overflow. Bathroom sink shall be Kohler Model K-2530-0.

Technical Information

Fixture*:	
Basin area	23" (584 mm) x 13-3/4" (349 mm)
Water depth	1-15/16" (49 mm)
Drain hole	Ø 1-11/16" (43 mm)
* Approximate measurements for comparison only.	
Included components:	
Cut-out template	1095093-7

Installation Notes

Install this product according to the installation guide.



Product Diagram