

INSTALLATION MANUAL

42-inch Mulch Kit — 19A30006100

Model 19A30006100 mulch kit is designed for use with select 42-inch two-blade cutting decks. Refer to your lawn tractor's Operator's Manual to assure compatibility.

Carton Contents

Before beginning installation, remove all parts from the carton to make sure everything is present. Carton contents are listed below and shown in Fig. 1-1. Part numbers are shown in parentheses.

- Two Mulching Blades (742-0616A)
- One 42" Deck Mulch Plug Assembly (631-04463)
- One Pin (711-04069) and Flange Nut (712-04064)

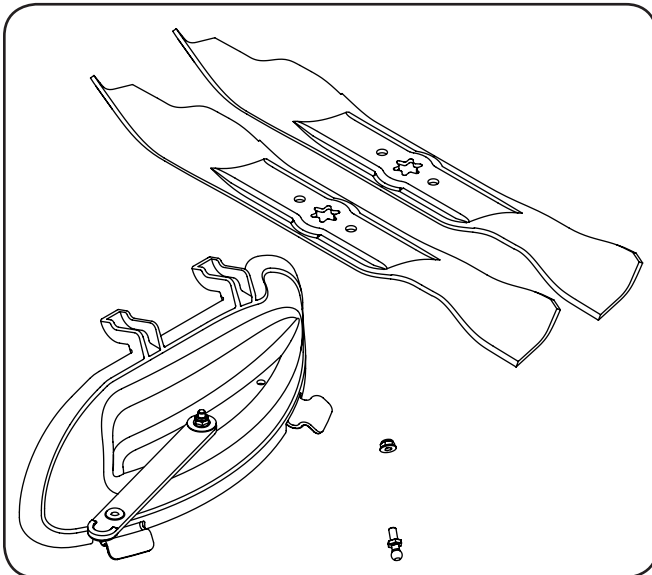


Figure 1-1

Blade Installation

Note: Mulching blades are standard equipment on some *Cub Cadet* models. Compare the blades in this kit with the blades on your machine to determine if they're alike. Install the blades included in this kit only if the blades on your machine are damaged or worn.



CAUTION: The blades included in this kit are *not compatible* with the 42-inch deck accessory (model 19A40012100) for *Cub Cadet* Garden Tractors. Do not attempt to install the blades on *Cub Cadet* Garden Tractors (e.g. GT2000, GTX2100).



WARNING: Before beginning installation, place the tractor on a firm and level surface, set the parking brake, place the PTO in the disengaged (OFF) position, stop the tractor's engine and remove the ignition key to prevent unintended starting.



WARNING: Cutting blades are sharp. Always protect hands by wearing heavy leather work gloves to grasp blades.

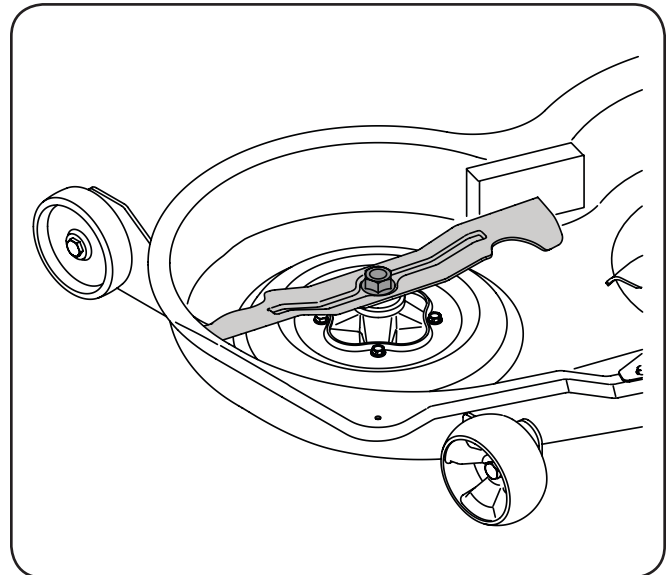


Figure 1-2

1. Remove the cutting deck from beneath the tractor as instructed in your tractor's Operator's Manual.
2. Gently flip the deck over to expose its underside.
3. Place a block of wood between the deck housing baffle and the cutting blade to act as a stabilizer, then use a wrench to remove the hex flange nut that secures each blade to its spindle assembly. See Fig. 1-2.

IMPORTANT: The hex flange nuts have a right-handed (normal) thread pattern. Do NOT attempt to force the nuts in the opposite direction. Doing so may damage the nut.

4. Replace the blades with the blades included in the kit. Be sure to install each blade with the side marked "Bottom" (or with a part number stamped in it) facing the ground when the mower is in the operating position.

IMPORTANT: Use a torque wrench to tighten each blade spindle's hex flange nut to between 70 ft-lb and 90 ft-lb.

CUB CADET LLC, P.O. BOX 361131 CLEVELAND, OHIO 44136-0019

Installing the Mulch Plug

1. Secure the pin to the deck with the flange nut. See Fig. 1-3.

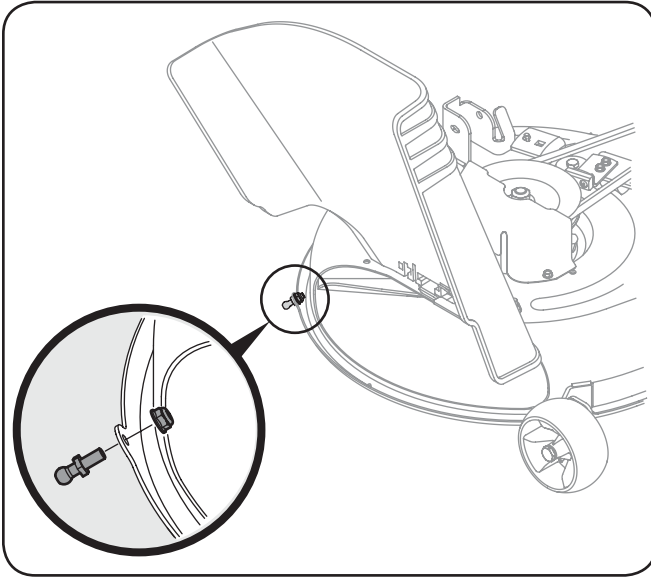


Figure 1-3

2. Lift the discharge chute up (A). See Fig. 1-4.
3. Insert the mulch plug into the deck discharge opening by fitting the tabs on the upper edge of the mulch plug inside the slots found on the discharge chute (B) and pivoting the mulch plug downward into place .

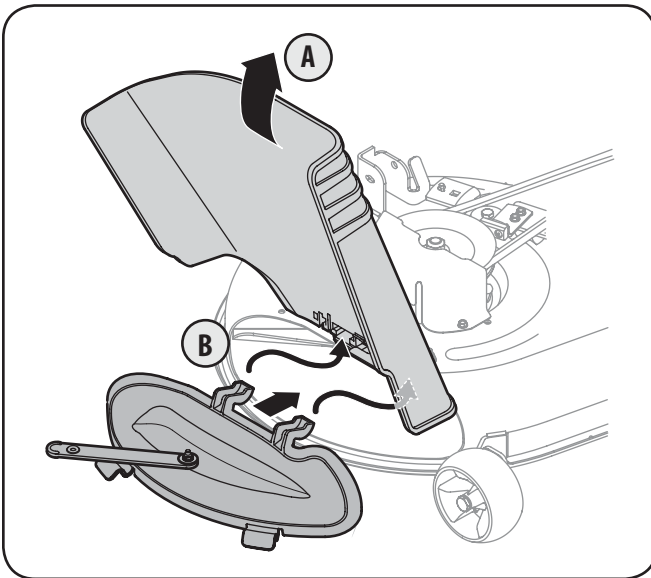


Figure 1-4

4. Secure the mulch plug assembly in place by attaching its strap to the pin. See Fig. 1-5.

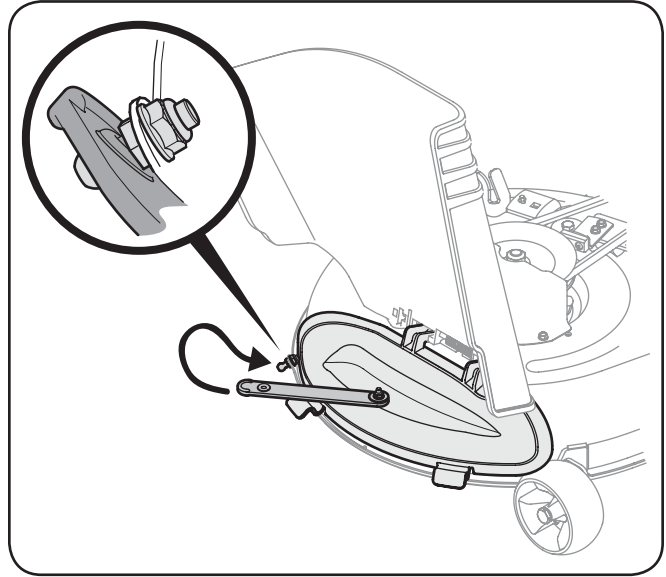


Figure 1-5

5. With the mulch plug in place, the discharge chute will remain propped-up so that the operator can more easily maneuver the tractor's deck near and around trees and other obstacles.

To order replacement parts, call the Customer Dealer Referral Line at 1-877-282-8684
or visit www.cubcadet.com to find the nearest Cub Cadet dealer in your area.
