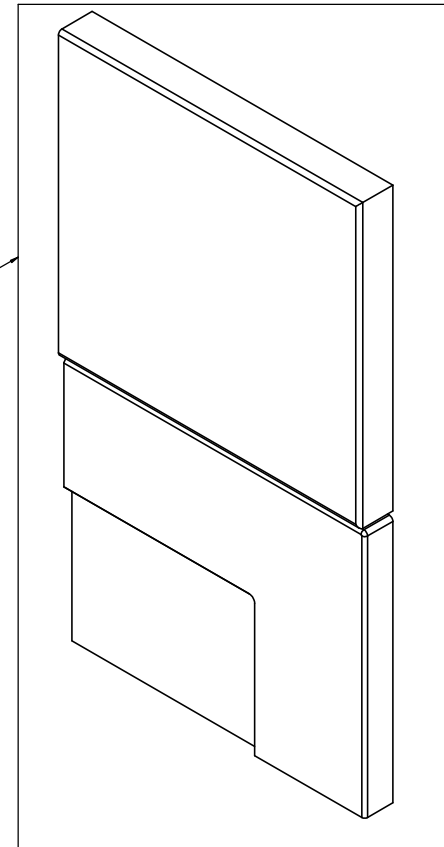
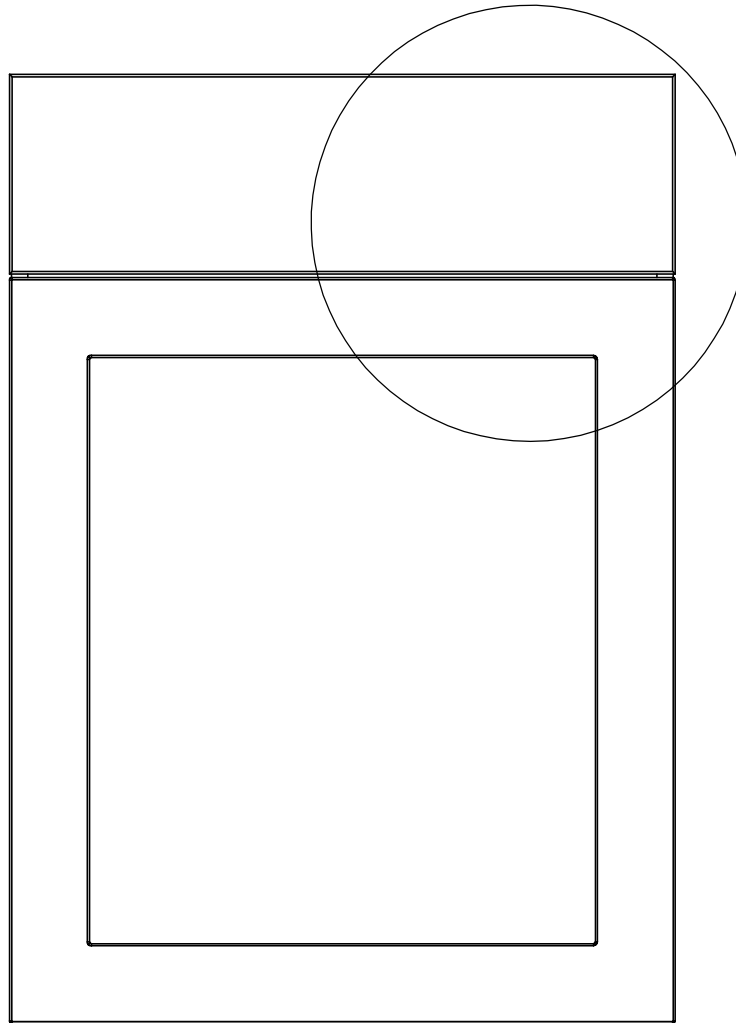


Item ID	Front Thickness [in] mm	Door Thickness [in] mm
CM2135B-WH	[.63] 16	[.63] 16

This profile belongs to CM2135B-WH

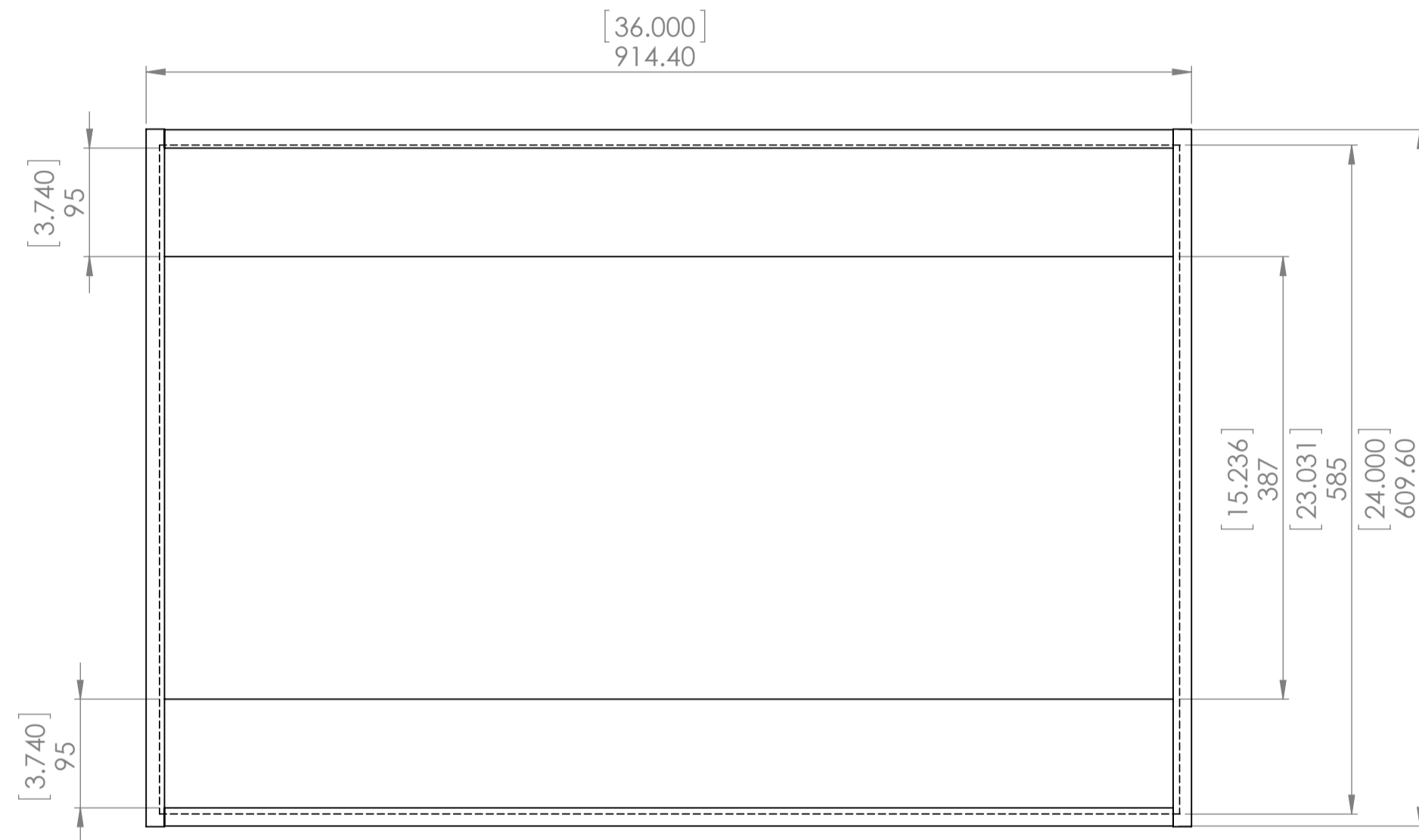


Detailed View

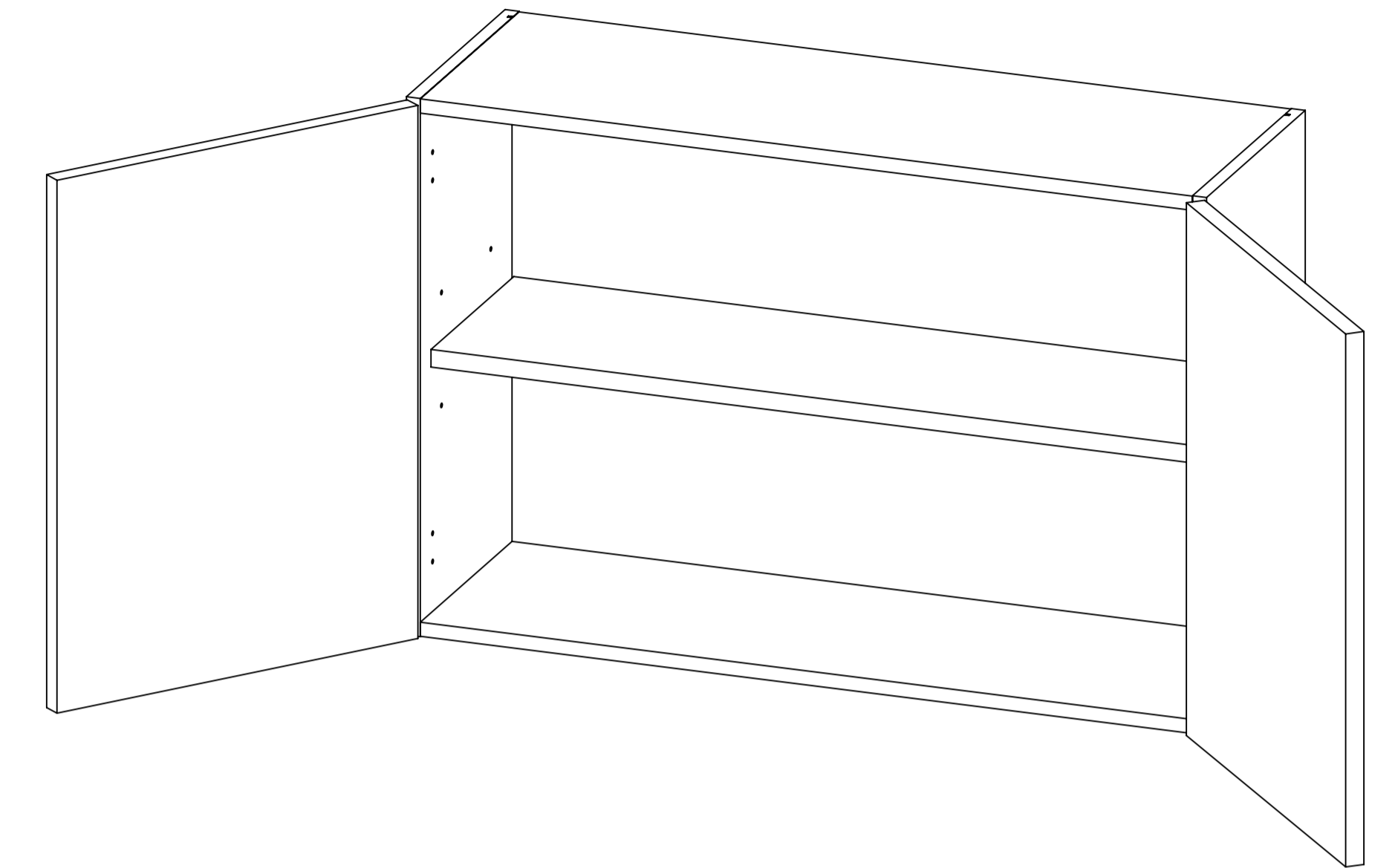
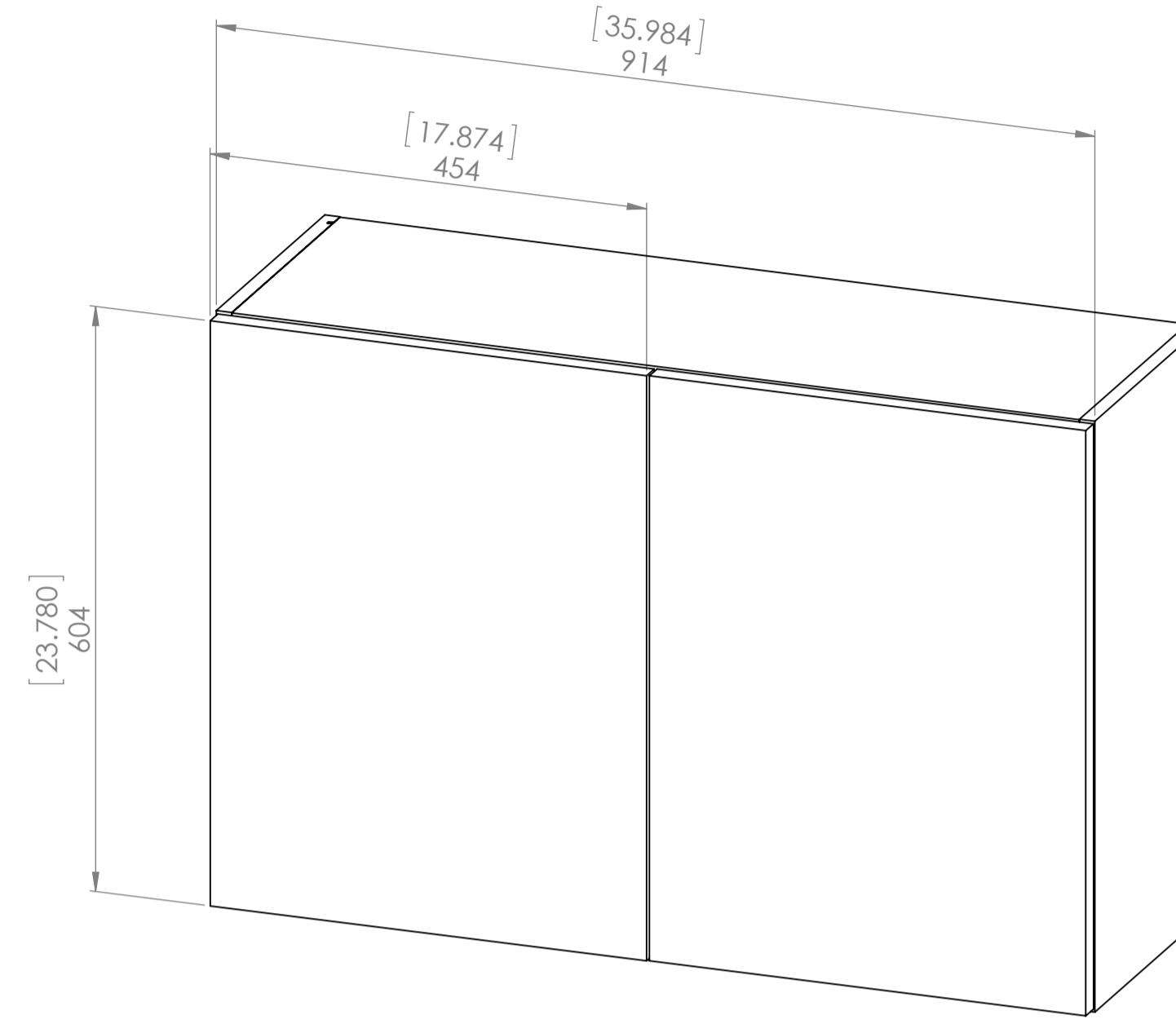
Profile: Cambridge White & Kitchen Gray		
<small>PROPRIETARY AND CONFIDENTIAL</small> <small>THE INFORMATION CONTAINED IN THIS DRAWING IS THE SOLE PROPERTY OF WOODCRAFTERS. ANY REPRODUCTION IN PART OR AS A WHOLE WITHOUT THE WRITTEN PERMISSION OF WOODCRAFTERS IS PROHIBITED.</small>	<small>UNLESS OTHERWISE SPECIFIED</small> <small>DIMENSIONS ARE IN MM AND [INCHES]</small> <small>TOLERANCES ARE +.039[1]-.039[1]</small> <small>SCALE:1:2</small>	

Item ID	Shelf Thickness [in] mm	Shelf Length and Width [in] mm	Depth "X" [in]
CM3624W-KG	[.75] 19	878x268	12.5
BT3624W-RC	[.75] 19	878x268	12.6
BT3624W-WH	[.75] 19	878x268	12.5
CM3624W-DK	[.75] 19	878x268	12.6
CM3624W-WH	[.59] 15	878x268	12.5

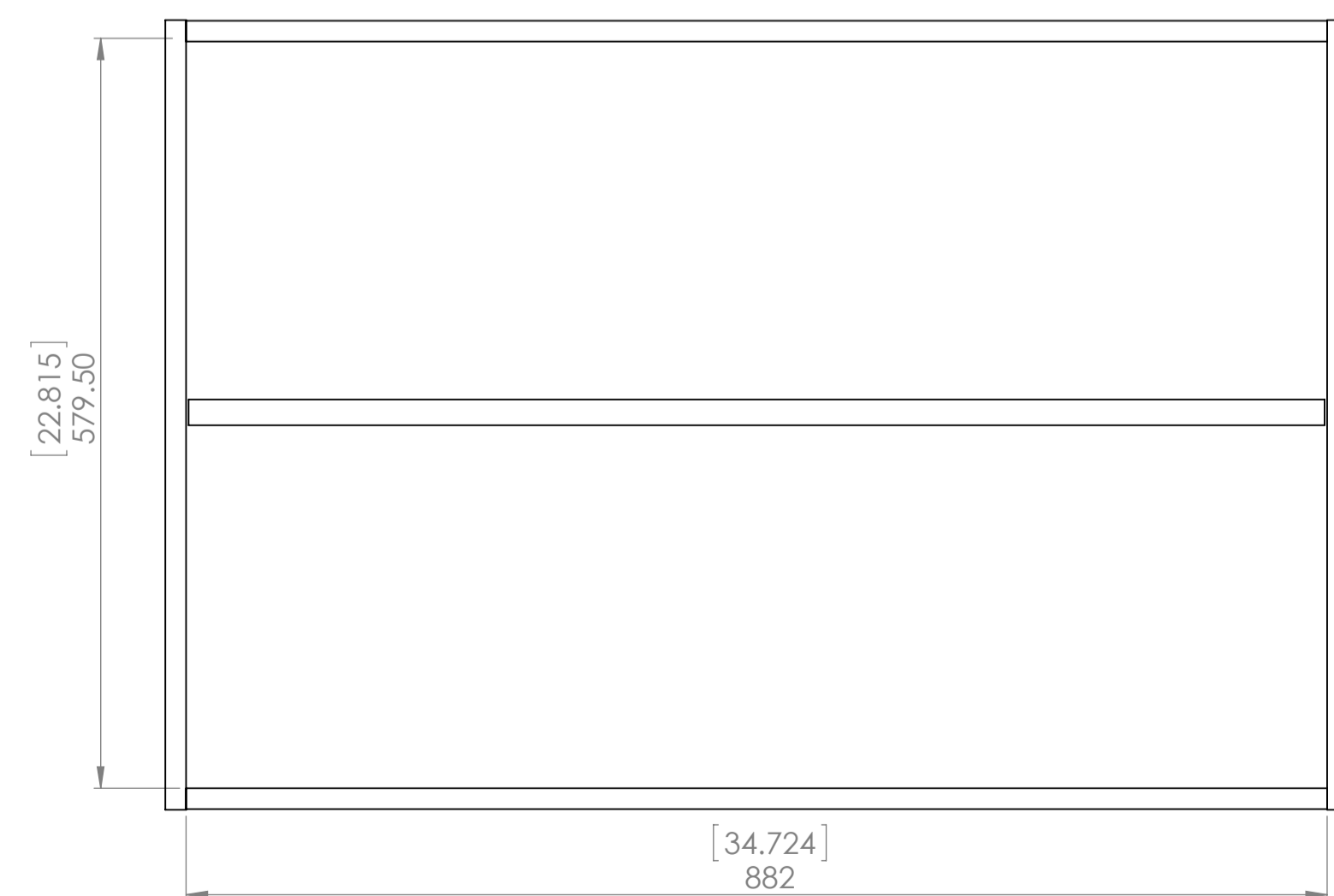
Description					
Wall cabinet 36x24					
REV	ECO#	Description	REV'D BY DATE	CHK'D BY DATE	APRV'D BY DATE
0		Release	ASG 3/4/18	ASG 3/4/18	ASG 3/4/18



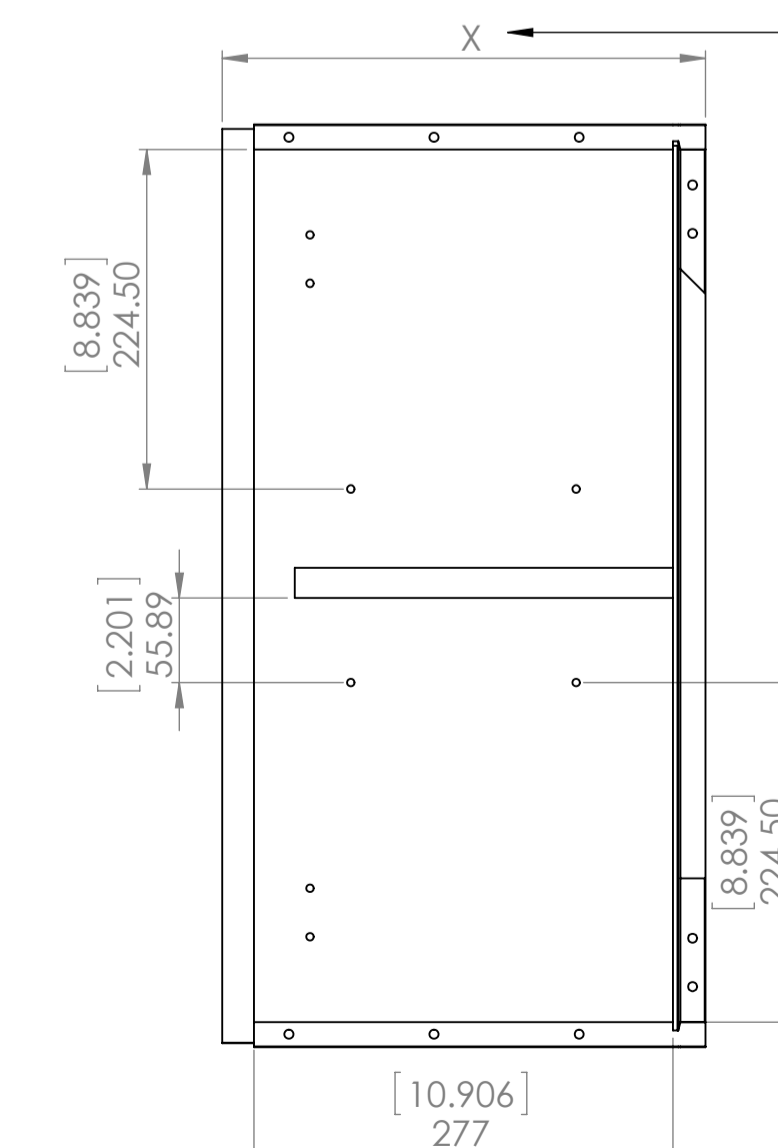
Back View



Isometric View



Front View
(front door removed)



Side View
(left panel removed)

Depth "X" depends on door profile

NAME	DATE	MATERIAL:	Wood Crafters®	
DRAWN: Marcelo Gonzalez	3/1/18		Wall Cabinet 36x24	A1
CHK'D:			SCALE:1:5	SHEET 1 OF 1
APPV'D:				
MFG:		WEIGHT:		
PROPRIETARY AND CONFIDENTIAL THE INFORMATION CONTAINED IN THIS DRAWING IS THE SOLE PROPERTY OF WOODCRAFTERS. ANY REPRODUCTION IN PART OR AS A WHOLE WITHOUT THE WRITTEN PERMISSION OF WOODCRAFTERS IS PROHIBITED.		UNLESS OTHERWISE SPECIFIED DIMENSIONS ARE IN MM. AND [INCHES] TOLERANCES ARE +/- 1[0.039] SCALE:1:5		