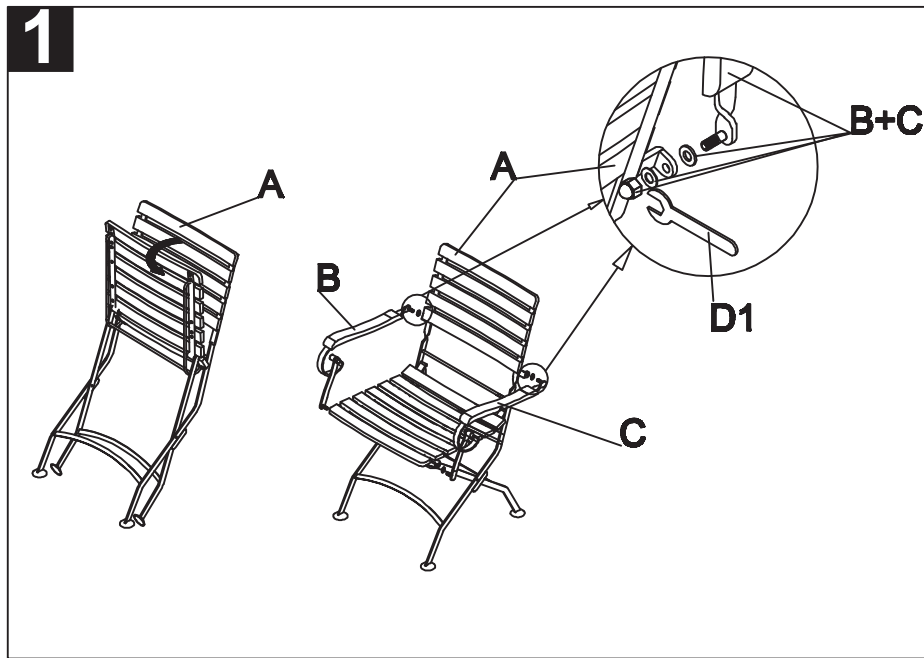
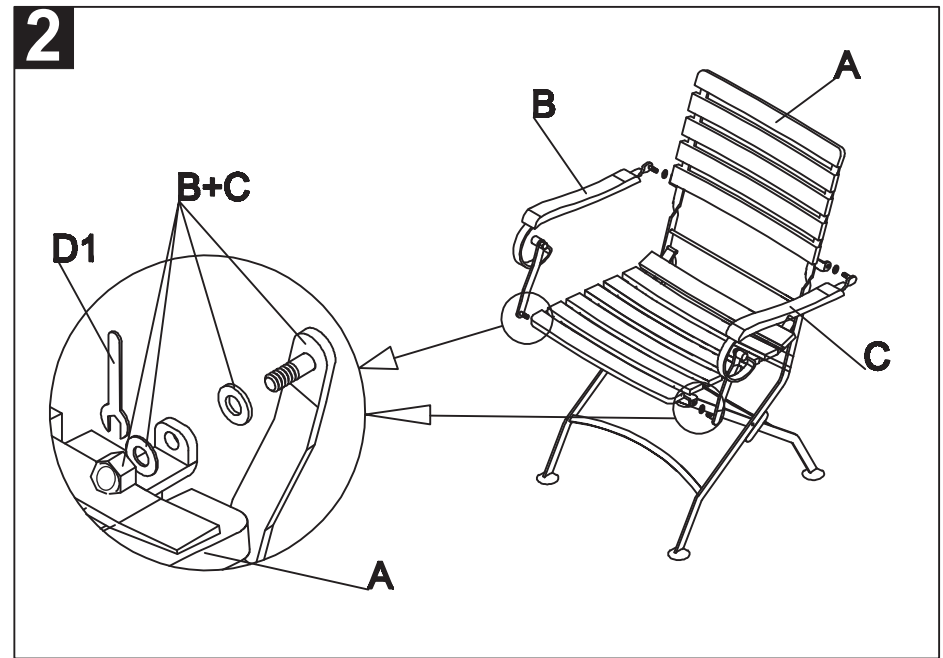


PREPARATION

Before beginning the assembly of the product, make sure all parts are present. Compare the parts with the package contents list and hardware contents list. If any parts are missing or damaged, do not attempt to assemble the product. Tool required for assembly (included): Wrench.



Step 1: attach Right Arm (B) and Left Arm (C) to the chair (A). Use the Wrench (D1) to tighten the arms on both as shown on the picture.



Step 2: tighten the support of the arms as shown on the picture by using the wrench (D1).





CARE AND MAINTENANCE

Store outdoor furniture indoors or cover well when it is not in use. Dust regularly with small brush or vacuum. Spills should be taken care of immediately before they harden or stain with a slightly dampened sponge.

NOTICE

Please make sure that you have all parts indicated before you begin assembly of this item.

Part List and Hardware List

PIECE	DESCRIPTION	PICTURE	QUANTITY
A	Chair		1 X
B	Right Arm		1 X
C	Left Arm		1 X
D1	Wrench		1 X

 **SAFAVIEH**
OUTDOOR LIVING

MODEL# PAT6709

Product Dimension: 22.05"W x 22.24"D x 34.25"H

Weight capacity : 300 lbs

Warning : Do not stand on the chair

Warning : Do not torque bolts / screws

