

# 1543CTN – EVERYDAY SHOWERS

54 x 27 ½ x 72 inches



## FEATURES

- Shower stall
- Textured tile finish
- Molded toiletry shelves
- Space saving design (Not listed by IAPMO or FHA)
- Slip-resistant textured bottom
- Center drain
- AcrylX™ applied acrylic surface
- Lifetime limited warranty

## OPTIONS

- Grab bar reinforcement
- Factory installed assisted care grab bars
- Brass shower drain
- Shower door series: L0517

## AQUATIC ADVANTAGE

- National distribution
- 6 manufacturing facilities
- Private fleet
- Centralized customer service
- Field support

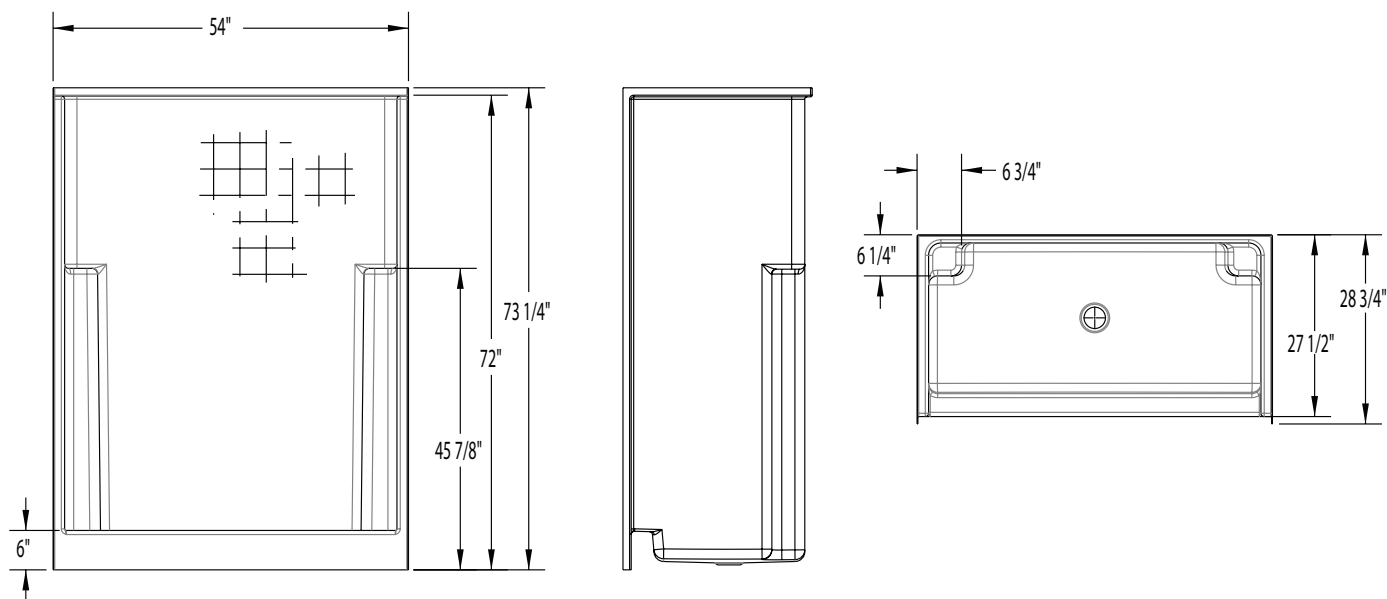
## COLOR OPTIONS

Stock	Upgraded	Premium
Almond White	Linen/Biscuit Bone	Black Mexican Sand Sand Bar Sterling Silver



# 1543CTN

54 x 27 1/2 x 72 inches



**FEATURES** lbs      Dimensional Tolerance  $\pm \frac{3}{8}$ ". Dimensions needed for site preparation should be measured from the unit. Aquatic assumes no responsibility for preparatory work.

Model #	Material	Wall Finish	Pieces	Drain	Seat	Net Wt.	Pkg. Wt.
Shower #1543CTN	AcrylX™	Textured Tile	1	Center	-	103	108

## DIMENSIONS

Specifications	inches
Width: Overall / Net	54
Depth: Overall / Net	28 3/4 / 27 1/2
Height: Overall / Net	73 1/4 / 72
Enclosure Opening	50 1/2
Skirt Height	6
Drain Rough-In (from Back Wall)	12 5/8
Drain Rough-In (from Side Wall)	27
Drain: Diameter / Clearance	3 1/4 / 1

## FRAMING DIMENSIONS inches

Type	D Depth	W Width	H Height	A	B	C
Alcove	28 3/4	54 1/8	-	Box Out	27	12 5/8

