

Location:



SYMMONS® Dia™

Shower Valve System 3500-CYL-B Specification Submittal



Feature Highlights

- Symmons Shower Valve System with Symmons Temptrol® pressure-balancing mixing valve with adjustable stop screw to limit handle turn
- Screwless brass escutcheon (-B)
- Cylinder (-CYL) style lever handle
- Polished chrome finish (standard)

Model Numbers

- 3500-CYL-B
Shower Valve System with Symmons Temptrol® mixing valve p/n 4000-BODY
- 3500-CYL-B-TRM
Trim only, valve must be ordered separately
- 3500-CYL-B-REB-TRM
Rebuild kit, Trim only, includes TA-10 flow control spindle and TA-4 hot/cold seat
- 4000-BODY
Symmons Temptrol® mixing valve without trim
- 4000-X-BODY
Symmons Temptrol® mixing valve without trim. Valve includes integral service stops to allow water shut-off for service

Handle Options / Modifications

Append appropriate -suffix to model number



- LR Lever handle
- LP Loop style lever handle

Options / Modifications

Append appropriate -suffix to model number

- IPS IPS connections: 1/2 inch female IPS connections on Temptrol® mixing valve
- X Service Stops: Temptrol® mixing valve includes integral service stops to allow water shut-off for service, p/n 4000-X-BODY (Option applies when ordering 3500-CYL)
- REV Reverse coring in valve for back to back installations; hot on right, cold on left, (available with suffix -X service stops only)
- CHKS Integral check stops for use in installations where a positive shut-off device is used downstream of mixing valve (available with suffix -X service stops only)
- Delete Suffix B Chrome plastic escutcheon chrome plastic escutcheon is supplied instead of standard brass escutcheon

Finish Options / Modifications

Append appropriate -suffix to model number

- STN Satin nickel
- Polished chrome (standard finish)

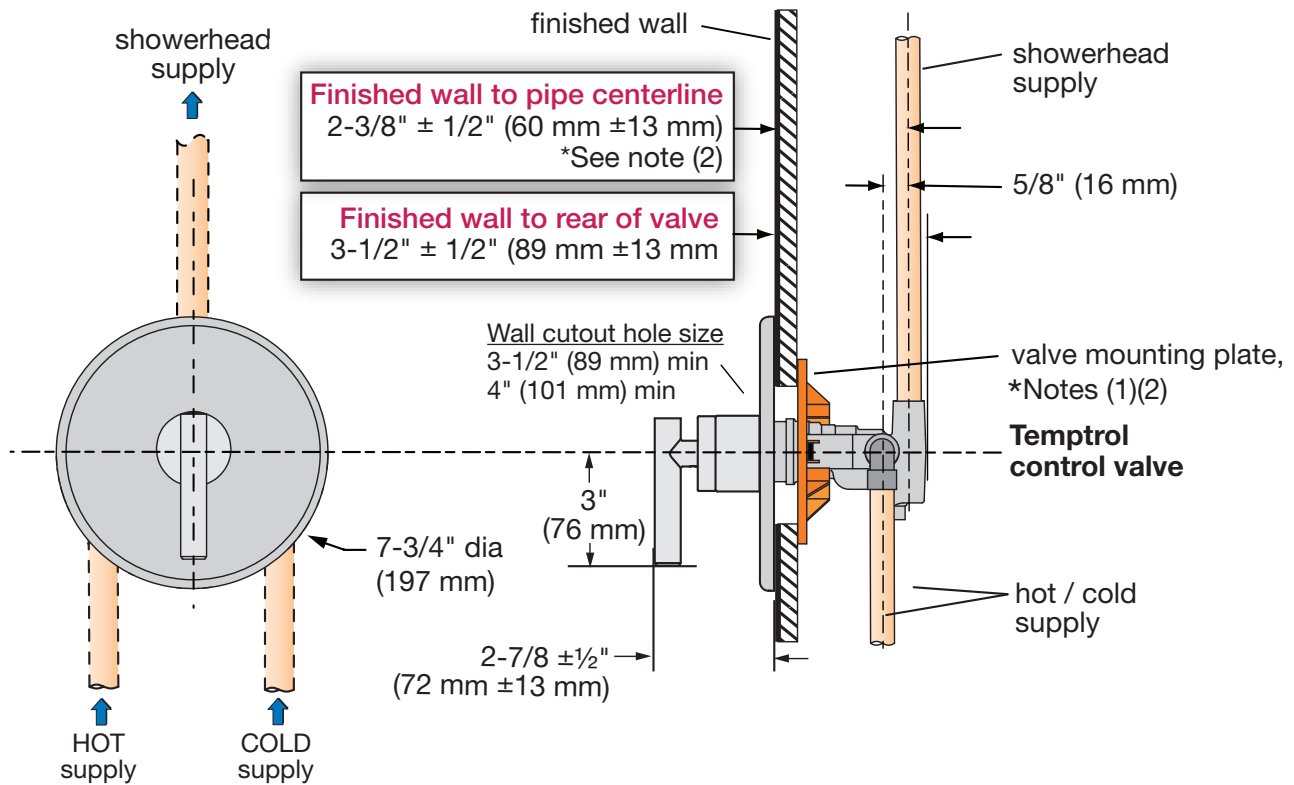
Standards / Certifications

ASME A112.18.1-2005 / CSA B125.1-05
Americans with Disabilities Act (ADA) compliant

Warranty

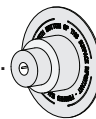
- Limited Lifetime - to the original end purchaser in consumer installations
- 5 years - for commercial installations

Dimensions Dia Shower Valve System, 3500-CYL-B



*** Notes:**

- (1) Walls for using T-177 mounting plate (MP)
 - Wall is 1/16" (2 mm) min • 1/2" (13 mm) max
 - Fiber or acrylic walls (MP required)
 - Plaster or other type walls 1/2" or less (MP optional)
 - Protective shield usage (optional)
- (2) Dry wall, plaster or other type walls 1/2" or greater
 - Protective shield is required; snaps on end of valve spindle...
- (3) Dimensions subject to change without notice



*Protective Shield
p/n T-176*

Floor

