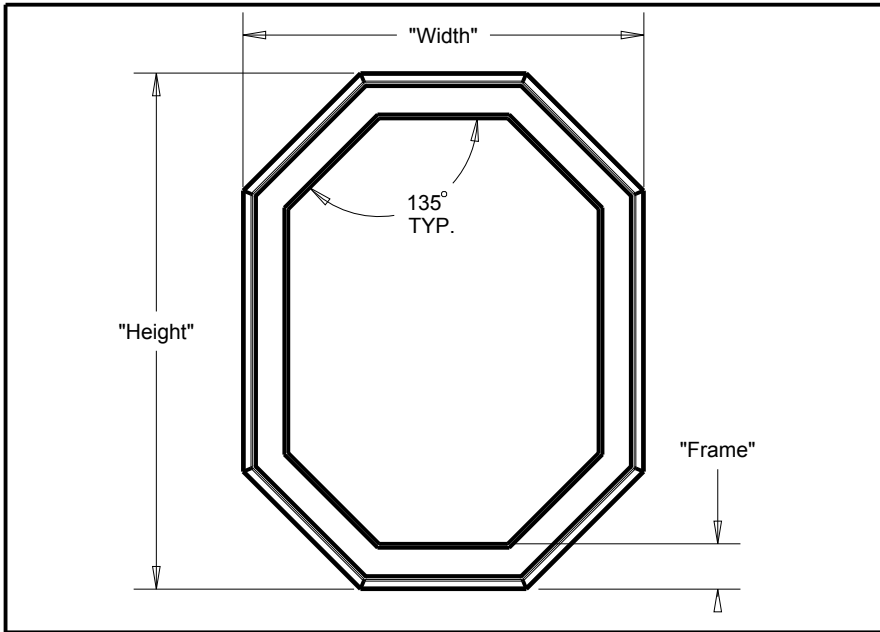


DELTA[®]

ACCESSORIES

- Delta[®] Custom Reflections™
- Octagonal Mirror Frame



STANDARD SPECIFICATIONS:

- Expanded Polystyrene Foam

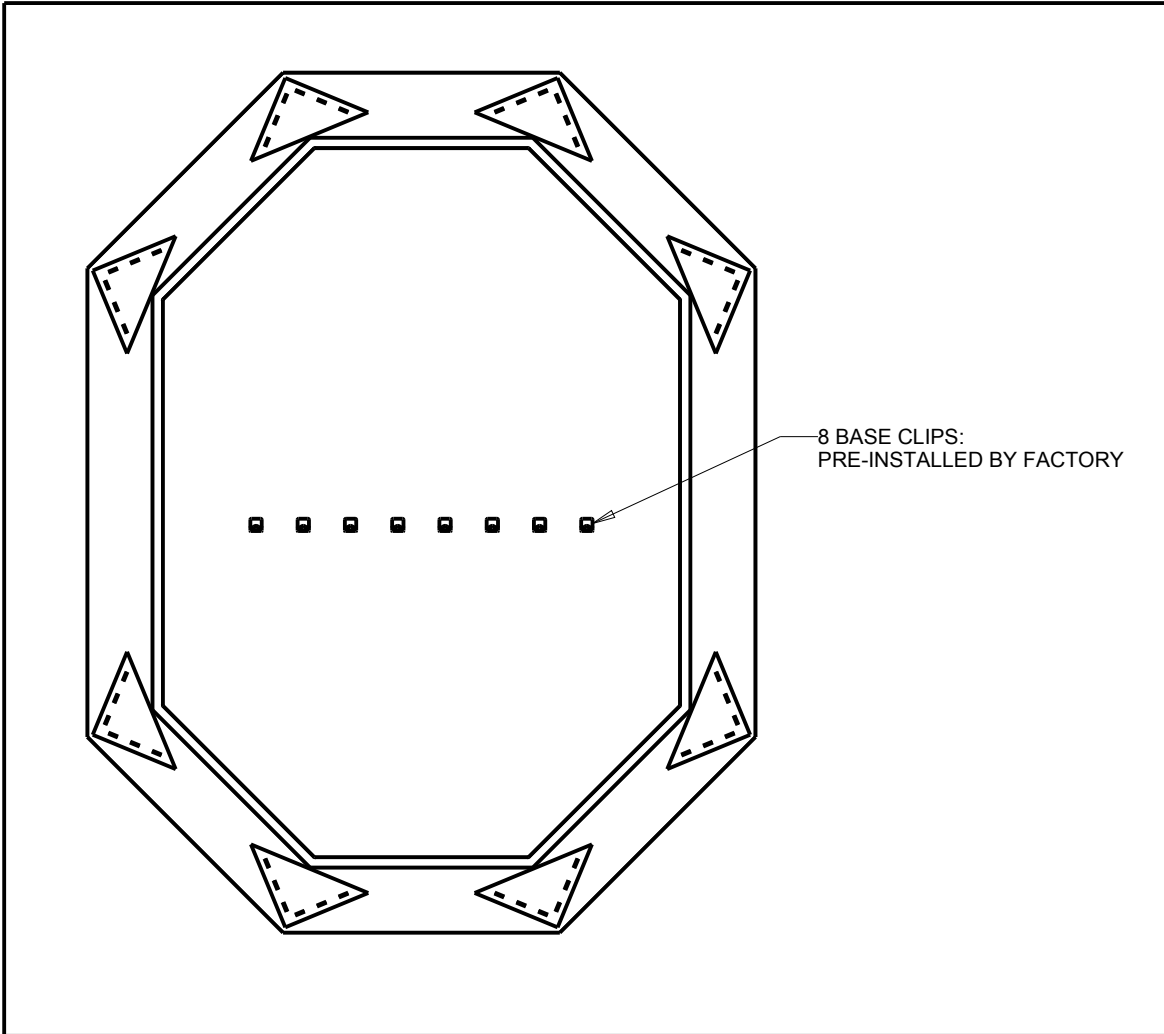
WARRANTY

Delta[®] and Liberty Hardware work to maintain the highest level of quality in our products. We ask the same of our suppliers and work towards meeting the high quality expectation of all consumers. Our plumbing products are warranted to be free of defects in material and workmanship for five years from date of purchase. Liberty Hardware will, at its election, repair, replace or make appropriate adjustment where Liberty Hardware determines that such defect occurred during normal usage within five (5) years after purchase. Liberty Hardware is not responsible for removal, installation costs, or incidental or consequential losses. Labor charges and/or damage incurred in installation, repair, or replacement of the product, as well as any other kind of loss or damage, are excluded. This warranty is not transferable.

		Height (in)	Width (in)	Frame (in)	Weight (lbs)	Finish
FRMM2-CHL-R	Medium Octagon	22.05	30.04	2.36	2.29	Classic Chrome
FRMM2-GWM-R	Medium Octagon	22.05	30.04	2.36	2.73	Weathered Wood
FRMM2-MBL-R	Medium Octagon	22.05	30.04	2.36	2.36	Matte Black
FRMM2-MOS-R	Medium Octagon	22.05	30.04	2.36	2.46	Stone Mosaic
FRMM2-NKL-R	Medium Octagon	22.05	30.04	2.36	2.76	Vintage Nickel
FRMM2-WHM-R	Medium Octagon	22.05	30.04	2.36	2.76	Matte White
FRML3-CHL-R	Large Octagon	26.85	40.04	3.15	3.84	Classic Chrome
FRML3-GWM-R	Large Octagon	26.85	40.04	3.15	4.91	Weathered Wood
FRML3-MBL-R	Large Octagon	26.85	40.04	3.15	4.31	Matte Black
FRML3-MOS-R	Large Octagon	26.85	40.04	3.15	4.04	Stone Mosaic
FRML3-NKL-R	Large Octagon	26.85	40.04	3.15	4.79	Vintage Nickel
FRML3-WHM-R	Large Octagon	26.85	40.04	3.15	4.78	Matte White

DELTA
ACCESSORIES

- Delta® Custom Reflections™
- Octagonal Mirror Frame



Delta reserves the right (1) to make changes in specifications and materials, and (2) to change or discontinue models, both without notice or obligation. Dimensions are for reference only. See current full-line price book or www.deltafaucet.com for finish options and product availability.

TDS 35992 - Rev. A

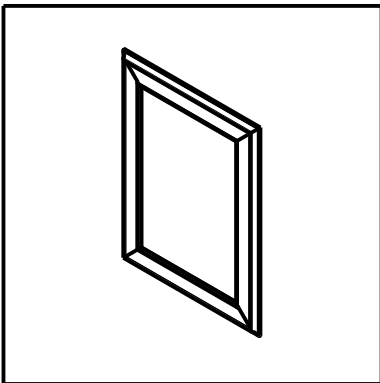
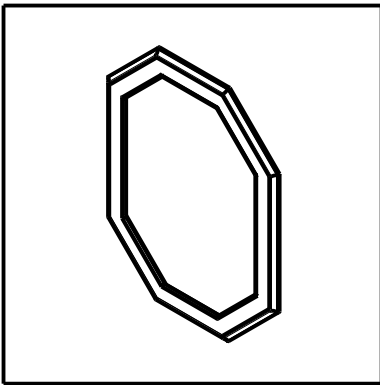
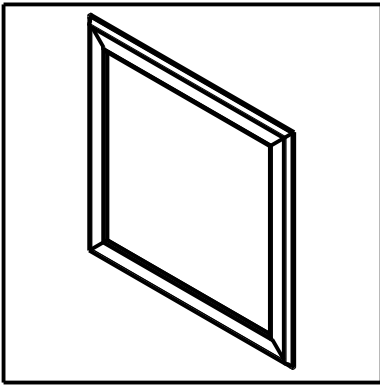
DELTA
FAUCET COMPANY

55 E. 111th Street, Indianapolis, Indiana 46280
350 South Edgeware Road, St. Thomas, ON N5P 4L1
© 2015 Masco Corporation of Indiana

DELTA[®]

ACCESSORIES

- Delta[®] Custom Reflections™
- 60 mm Mirror Frame Shapes and Dimensions: S1, S2, M1, M2



STANDARD SPECIFICATIONS:

- Expanded Polystyrene Foam

WARRANTY

▪ Delta[®] and Liberty Hardware work to maintain the highest level of quality in our products. We ask the same of our suppliers and work towards meeting the high quality expectation of all consumers. Our plumbing products are warranted to be free of defects in material and workmanship for five years from date of purchase. Liberty Hardware will, at its election, repair, replace or make appropriate adjustment where Liberty Hardware determines that such defect occurred during normal usage within five (5) years after purchase. Liberty Hardware is not responsible for removal, installation costs, or incidental or consequential losses. Labor charges and/or damage incurred in installation, repair, or replacement of the product, as well as any other kind of loss or damage, are excluded. This warranty is not transferable.

