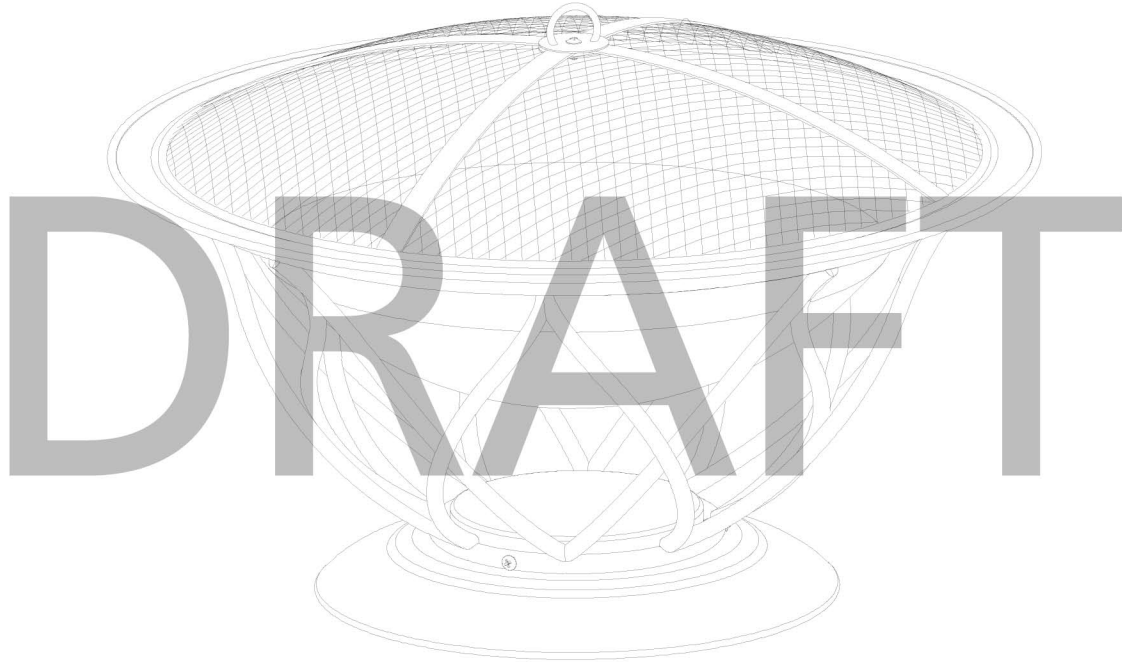




Item #0000
Model #25945

USE AND CARE GUIDE

OUTDOOR FIRE PIT



Questions, problems, missing parts? Before returning to the store,
call Hampton Bay Customer Service
8 a.m. - 6 p.m., EST, Monday-Friday

1-855-HD-HAMPTON

HAMPTONBAY.COM

THANK YOU

We appreciate the trust and confidence you have placed in Hampton Bay through the purchase of this fire pit. We strive to continually create quality products designed to enhance your home. Visit us online to see our full line of products available for your home improvement needs. Thank you for choosing Hampton Bay!

Table of Contents

Table of Contents	2
Safety Information	2
Pre-Assembly.....	3
Tools Required.....	3
Hardware Included	3
Package Contents.....	4

Assembly	5-6
How to use as a fire pit	7
Care and Maintenance	7
Replacement Parts List.....	8

Safety Information

PRECAUTION

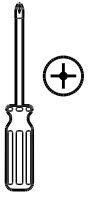
Use caution and common sense when using your outdoor fire pit. Failure to adhere to the safety warnings and guidelines in this manual could result in bodily injury or property damage. Save this manual for future reference.

	WARNING: This outdoor fire pit is for outdoor use only.
	WARNING: Use only on brick, concrete, stone or other masonry surfaces.
	WARNING: Do not use on lawns, wooden decks, artificial wood decking or asphalt.
	WARNING: Keep the outdoor fire pit a minimum of 10 ft. away from buildings, structures, any flammable items and vehicles.
	WARNING: Never use under low hanging tree branches, trellises, overhangs of any kind including covered porches.
	WARNING: Never use gasoline, alcohol or volatile fluids to start or restart fires.
	WARNING: For longer product life, keep fires to a respectable size, do not overload.
	WARNING: The outdoor fire pit is for adult use only.
	WARNING: Do not leave unattended at any time during use.
	WARNING: Do not move the fire pit during use.
	WARNING: Do not use in windy conditions.
	WARNING: Do not overload or use for burning garbage. Do not use more than 5 lbs. of firewood in the firebowl.

	WARNING: Use caution when tending the fire, as surfaces will become very hot while in use.
	WARNING: Keep the spark guard in place while using as a fire pit.
	WARNING: Use mittens or gloves with the poker to remove the spark guard, the spark guard will become very hot.
	WARNING: Use caution when removing the spark guard, as hot steam or a flare up could cause burns.
	WARNING: Before each use make sure the outdoor fire pit is in good working condition.
	WARNING: Use caution after the fire has been extinguished. Surfaces will remain hot for some time.
	WARNING: The outdoor fire pit must be completely cooled off and all embers must be extinguished before any cover can be used.
	WARNING: CARBON MONOXIDE HAZARD! Burning wood or charcoal produces carbon monoxide, which has no odor and can cause death if burned in enclosed areas. Never burn wood or charcoal inside homes, vehicles, tents or any other enclosed areas.
	WARNING: Fuels used in wood or charcoal burning appliances, and the products of combustion of such fuels, contain chemicals known to the State of California to cause cancer and birth defects or other reproductive harm.

Pre-Assembly

TOOLS REQUIRED



Phillips
screwdriver

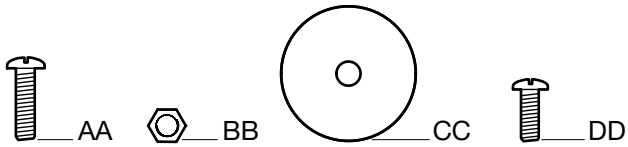


Adjustable
wrench

HARDWARE INCLUDED



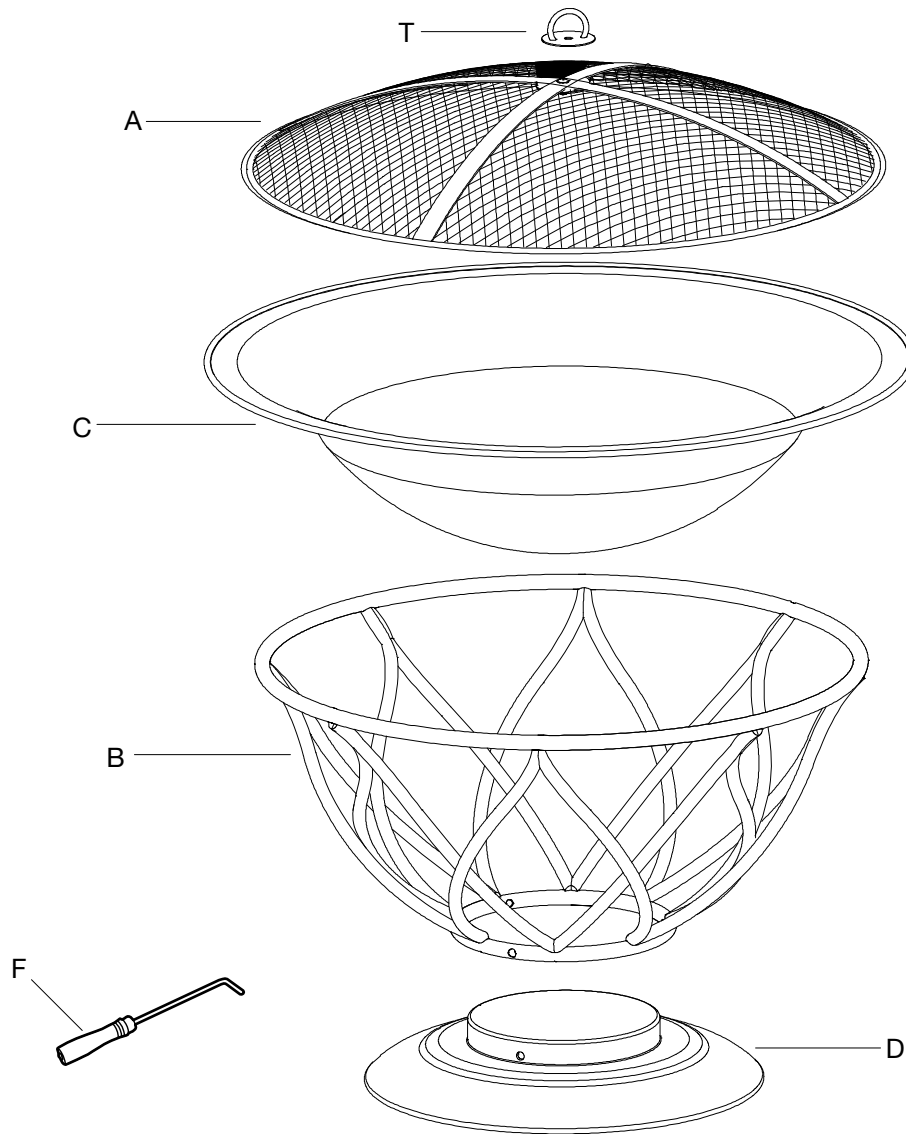
NOTE: Hardware not shown to actual size.



Part	Description	Quantity
AA	M6 x 25mm Bolt	3
BB	M6 Hexnut	4
CC	Spark Guard Washer	1
DD	M6 x 16mm Bolt	1

Pre-Assembly (continued)

PACKAGE CONTENTS

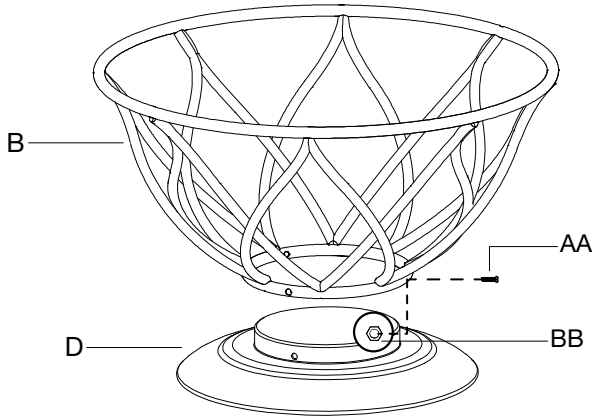


Part	Description	Quantity
A	Spark Guard	1
B	Stand	1
C	Firebowl	1
D	Base	1
F	Poker	1
T	Spark Guard Hook	1

Assembly

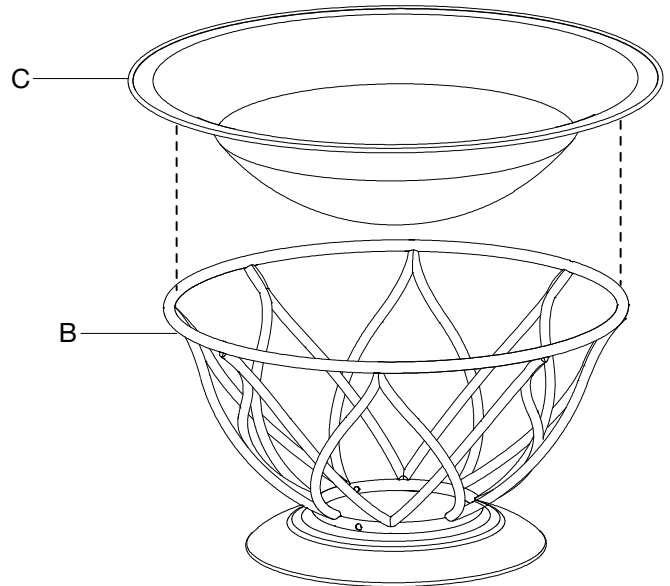
1 Assembling the base

- Assemble the base (D) to the stand (B) using three bolts (AA) and three hexnuts (BB). Tighten securely.



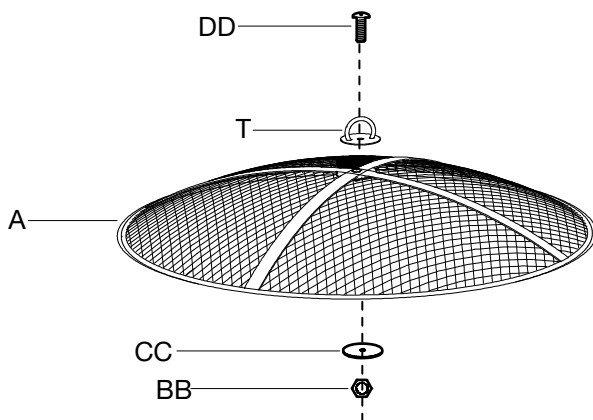
2 Placing the firebowl on the stand

- Place the firebowl (C) onto the stand (B).



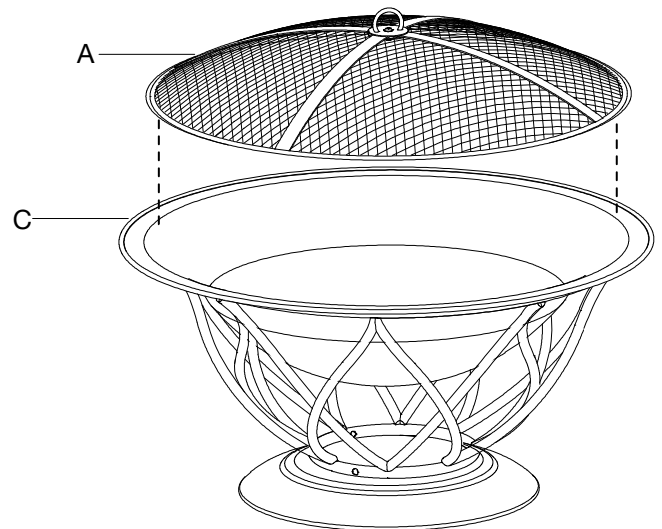
3 Assembling the spark guard

- Assemble the spark guard hook (T) to the spark guard (A) using one bolt (DD), one washer (CC) and one hexnut (BB).



4 Placing the spark guard on the firebowl

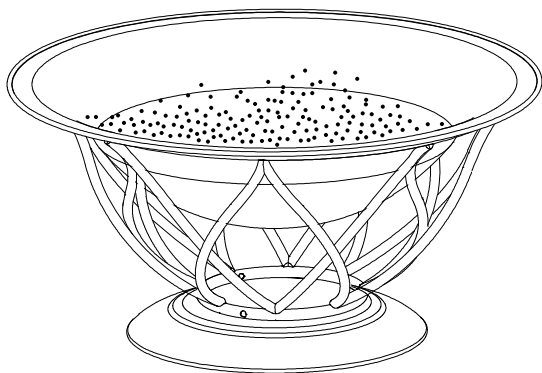
- Place the spark guard (A) onto the firebowl (C).



Assembly (continued)

5 Adding sand

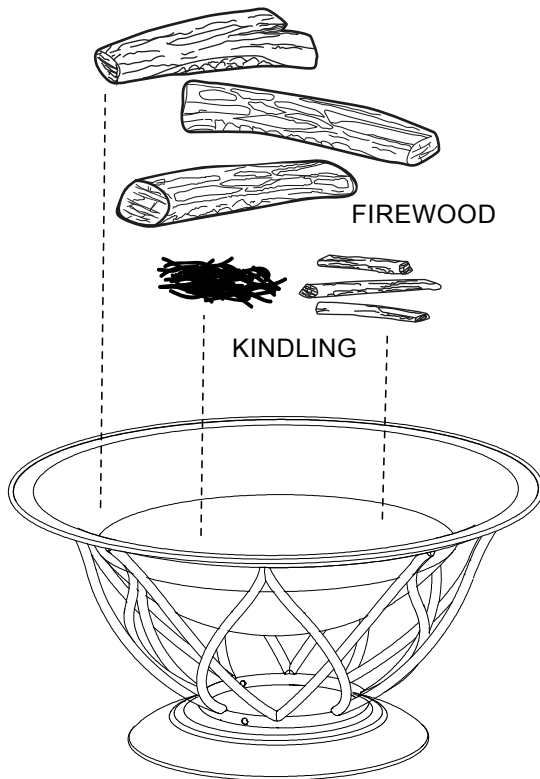
- Before using add a 1-1.5 in. layer of sand or about 5 lbs. (size wise, it's the same amount as a 5 lb. bag of sugar) to the bottom of the firebowl. This will help against the corrosive nature of the ashes and help radiate the heat upwards.



How to use as a fire pit

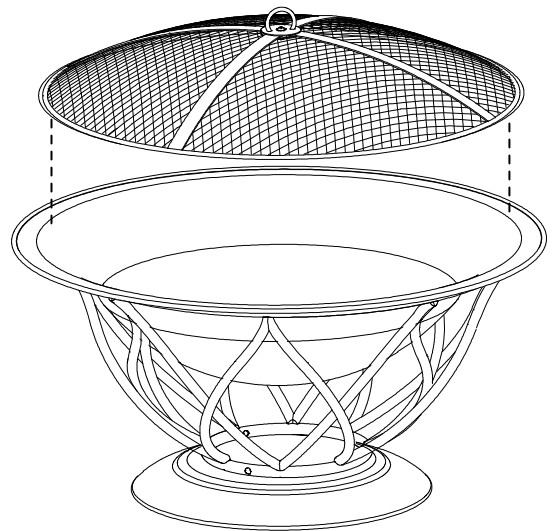
1 Add fuel

- Add up to 5 lbs. of kindling and firewood to the firebowl. Use paper or firestarter under the kindling and light with a match. Add more firewood as needed. The capacity of the fire pit is 5 lbs. of fuel.



2 Add spark guard

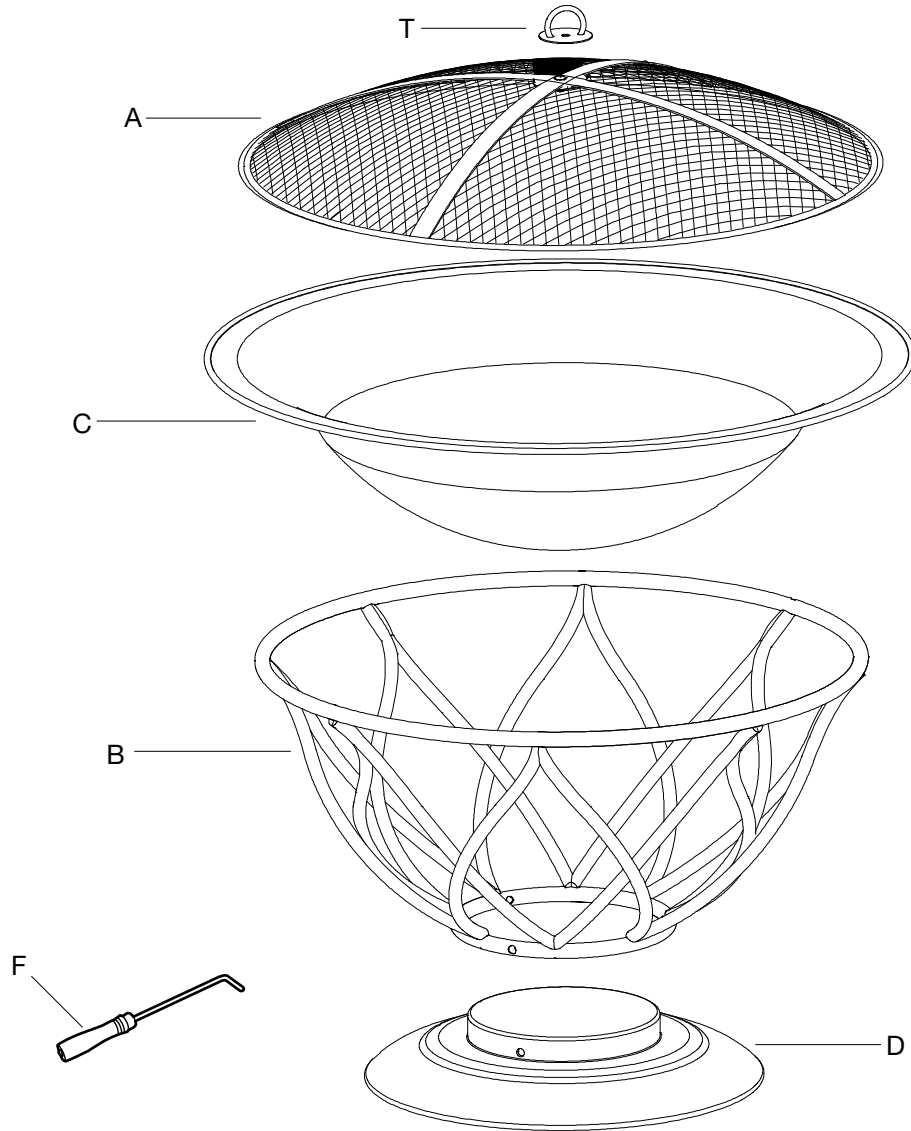
- Place the spark guard on the fire pit. Always use the spark guard during use.



Care and Maintenance

- Clean out ashes after each use only after the fire pit is completely cooled.
- Do not attempt to clean while hot.
- Store the fire pit in a dry place out of the weather.

Replacement Parts List



Part	Description	Part #
A	Spark Guard	25945-A
B	Stand	25945-B
C	Firebowl	25945-C
D	Base	25945-D
F	Poker	25945-F
T	Spark Guard Hook	25945-T



Questions, problems, missing parts? Before returning to the store,
call Hampton Bay Customer Service
8 a.m. - 6 p.m., EST, Monday-Friday

1-855-HD-HAMPTON

HAMPTONBAY.COM

Retain this manual for future use.