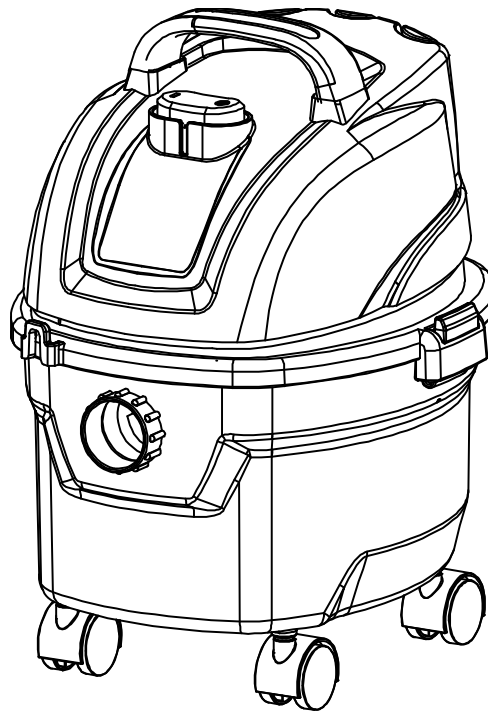




INSTRUCTION MANUAL

2.5 Gallon Portable Wet/Dry Vac

Model # PS225



Have product questions or need technical support? Please feel free to contact us!

Website: www.Amerisuninc.com

Toll free: 1-800-791-9458 M-F 9-5 EST

Email: support@amerisuninc.com

CONTENTS

Technical data.....	3
General safety rules.....	4
Specific safety rules for vacuum.....	5
Knowing your vacuum.....	7
Assembly and adjustments.....	8
Operation.....	10
Maintenance.....	12
Exploded view & parts list.....	13
Warranty.....	15

TECHNICAL DATA

2.5Gallon Portable Wet/Dry Vac	Model # PS225
Motor:	120V, 60 Hz, 8A
Rated input power:	800 W
Power cord length:	6.6 ft.
Hose length:	5 ft.
Hose diameter:	1-1/4 in.
Package dimensions (L x W x H):	13.4 x 12.2 x 14.4 inches
Weight:	11 lb.

Thank you for purchasing PowerSmart products. Please register online at **www.Amerisuninc.com**.
The information will allow us to track your warranty and update on your unit.

Important: Our company does not provide email or personal information to any third party for any reason. For any questions check our website or call customer service at (800)791 9458.

Warning! We strongly recommend that this item not be modified and/or used for any application other than that for which it was designed. If you have any questions relative to its application, do not use the equipment until you have consulted us and we have advised you.
Contact PowerSmart at (800)791-9458 M-F 9am-5pm EST

GENERAL SAFETY RULES

Safety is a combination of common sense, staying alert, and knowing how your vacuum works. **SAVE THESE SAFETY INSTRUCTIONS.**



WARNING: To avoid mistakes that could cause serious injury, do not plug in vacuum until the following steps have been read and understood.



WARNING: This appliance is not intended for use by children or by unassisted, unsupervised persons whose physical, sensory or mental capabilities prevent them from using it safely. Children should be supervised to ensure that they do not play with the appliance.

Before starting up your machine, please check it carefully for any defects. If you find any, do not start up your machine. Please call Power Smart customer service at 1-800-791-9458 M-F 9-5 EST.



WARNING: When using the vacuum, basic safety precautions should always be followed to reduce the risk of fire, electric shock, and personal injury. These include:

- **Know your product** – Know how to stop the machine. Thoroughly familiarize yourself with the controls.
- **Keep bystanders away** – All visitors and pets should be kept a safe distance away from the work area.
- **Use the right product** – Do not use this machine for any job except that for which it is intended.
- **Dress properly** – Do not wear loose clothing or jewelry. They can get caught in moving parts. Protective rubber gloves and non-slip footwear are recommended when working outdoors and indoors.

CAUTION! – Exercise caution to avoid slipping or falling. Wear protective footwear that will protect your feet and improve your footing on slippery surfaces.

- **Stay alert** – Watch what you are doing. Use common sense. Do not operate the vacuum when you are tired, or under the influence of alcohol or drugs.
- **Do not overreach** – Keep proper footing and balance at all times.
- **Avoid unintentional starting** – Do not carry a plugged in machine with your finger on the trigger. Make sure the switch is off before plugging in the machine.
- **Do not abuse the cord** – Never carry the machine by the cord or yank the cord to disconnect it from the receptacle. Keep the cord away from heat, oil, and sharp edges.
- **Use safety glasses** – Also use safety footwear, snug-fitting clothing, protective gloves, hearing and head protection.

SPECIFIC SAFETY RULES FOR VACUUM



WARNING: Do not operate your vacuum until it is completely assembled and installed according to the instructions.

1. PLEASE DO NOT USE the vacuum near some liquids or gases which is inflammable and explosive, in order to avoid the fire.
2. Before plug in and out, please turn off the power, in order to avoid the fire and get an electric shock.
3. PLEASE DO NOT TOUCH the plug when your hands are wet, in order to avoid getting an electric shock.
4. PLEASE DO NOT PLUG up the vent, in order to avoid damaging the machine because the temperature inside is too high.
5. DO NOT SUCK THE FOLLOWING OBJECTS:
None extinguished cigarette, gas, kerosene, and other objects which is inflammable, explosive and volatile.
6. DO NOT PICK UP SHARP OBJECT.
7. The toner, lime powder, gypsum and other subtle things which easy to suck on the filter bag, It will blocking airiness, damage the motor.
8. During the using process, there is some possibility that the tube and the machine generate electricity, So please pay attention.
9. Please do not overset the cleaner, in order to avoid the water in, and damage the machine.
10. WARNING: when water coming out of the air outlet, mending or checking up the cleaner, please do not overset it, in order to avoid the water in, and damage the motor. Do not use this product as water pump, in order to avoid damaging the machine.
11. Every time, after finish dusting, maintaining and checking-up, please turn off the power and plug out.
12. Please do not put the cleaner under the sun or other high-temperature places, in order to avoid the plastic deforming.
13. The tube should not bend excessively, stretch force, or it will damage the tube.
14. Do not immersed the container in the water or rinse the container with water, in order to avoid water flow into the electrical components, and causing the personal accident, You should use soft cloth and twisting very dry of water, then wipe the surface lightly.
15. MAKE SURE THE EXTENSION CORD is no longer than 25 ft., 14 gauge. Ensure the power cord is rated for outdoor use. Ground the vacuum and avoid contact with grounded surfaces during operation. See “ **Guidelines for using extension cords**” for further details.
16. MAKE all adjustments with the switch in the OFF position and the vacuum disconnected from the power source.

WARNING: To reduce the risk of electric shock- do not expose to rain-store indoors. For your own safety, read and understand owner’s manual. Do not run unattended. Do not pick up hot ashes, coals, toxic, flammable or other hazardous materials. Do not use around explosive liquids or vapors.



WARNING: Do not expose to rain or use in damp locations.

Guidelines for using extension cords

Make sure your extension cord is in good condition. When using an extension cord, be sure to use one heavy enough to carry the current your product will draw. An undersized cord will cause a drop in line voltage resulting in loss of power and overheating. The table below shows the correct size to be used according to cord length and nameplate ampere rating. If in doubt, use the next heavier gauge. The smaller the gauge number, the heavier the cord.

Minimum Gauge for Extension Cords (AWG)
(When using 120 V only)

Ampere Rating		Total Length of Cord in feet			
More Than	Not More Than	25	50	100	150
0	6	18	16	16	14
6	10	18	16	14	12
10	12	16	16	14	12
12	16	14	12	Not Recommended	

Make sure your extension cord is properly wired and in good condition. Always replace a damaged extension cord or have it repaired by a qualified person before using it.

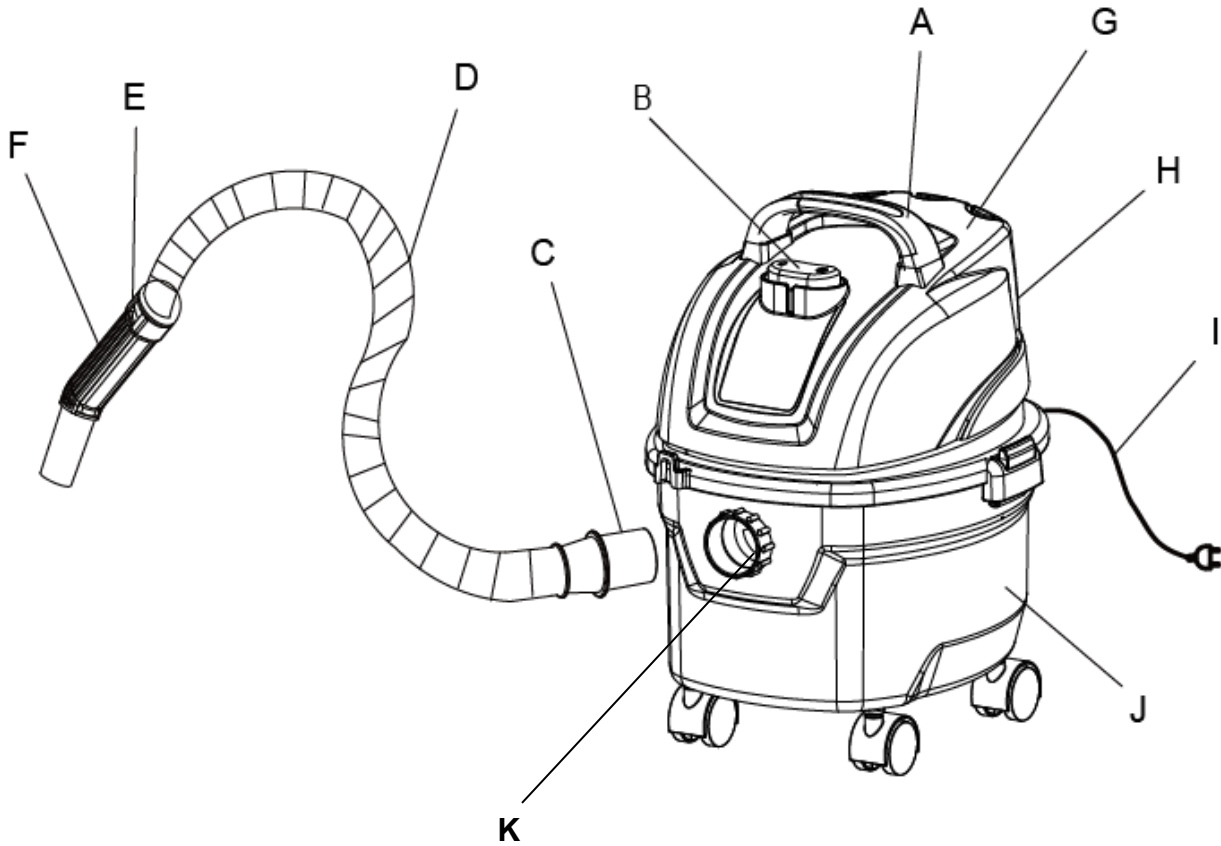
Protect your extension cords from sharp objects, excessive heat and damp or wet areas.

Use a separate electrical circuit for your tools. This circuit must not be less than a #12 wire and should be protected with a 15 A time-delayed fuse. Before connecting the motor to the power line, make sure the switch is in the OFF position and the electric current is rated the same as the current stamped on the motor nameplate. Running at a lower voltage will damage the motor.



WARNING: This tool must be grounded while in use to protect the operator from electric shock.

KNOWING YOUR VACUUM



- | | | | |
|---|------------------|---|--------------|
| A | Carrying Handle | F | Hand Piece |
| B | ON/OFF switch | G | Lid Assembly |
| C | Hose Connector | H | Exhaust Port |
| D | Hose | I | Power Cord |
| E | Air Flow Control | J | Drum |
| K | Vacuum Port | | |

ASSEMBLY AND ADJUSTMENTS

Unpacking

Unpack the vacuum and all its parts, and compare against the list below. Do not discard the carton or any packaging until the vacuum is completely assembled. Please call 1-800-791-91458 or E-mail us at support@amerisuninc.com if any parts are damaged or missing.

ACCESSORIES INCLUDED					
					
Washable Dust Bag	Floor brush	Round Brush & Crevice Tool	Hose	Wheels	Extension wands

Wheel Assembly

Insert the four wheels into the bottom holes of container separately as shown picture.



Accessory Storage

Accessory storage is provided on the rear of the unit. Clip the accessory into the bracket from the back as shown.



WARNING: Read and thoroughly understand all instructions and safety information before operating this vacuum. Failure to do so may cause serious injury or death. Do not allow anyone to operate this

vacuum who has not read this manual. As with all power equipment, a vacuum can be dangerous if assembled or used improperly. Do not operate this vacuum if you have doubts or questions concerning safe operation. Call our customer service department at 1-800-791-9458 to address these concerns.

WARNING: Always wear safety glasses, safety gloves, safety shoes and suitable work clothing when operating this vacuum. Do not wear jewelry, neckties or other loose clothing which could get caught in moving parts.

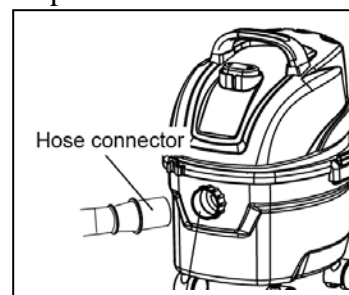
WARNING: Do not leave vacuum plugged in when not in use.

WARNING: Do not start or operate this machine in the presence of flammable liquids or gases.

This vacuum is intended for household use. It may be used for light vacuuming of wet or dry debris and may also be used as a blower. The light weight design allows usage for most small household vacuuming chores. Familiarize yourself with the following product features and read the entire owner's manual for specific usage of your new Wet/Dry vacuum.

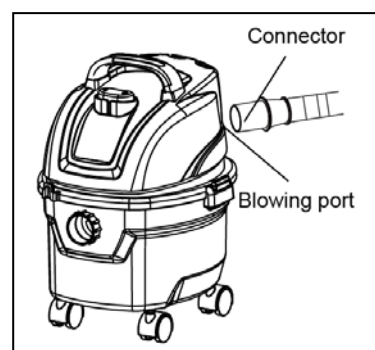
Insert Hose

When using the vacuum function, Insert the hose connector into the vacuum port.



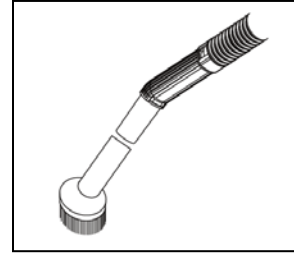
When using the blower function,

1. Locate blowing (exhaust) port of your Vac.
2. Insert the hose connector into the exhaust port.
3. Attach extension wand to opposite end of hose, then place the nozzle on the wand.



Handpiece connect with brush

Contact joint: insert the end of the hose into the brush.



OPERATION

WARNING: To reduce the risk of fire, explosion, or damage to Vac:

- Do not leave Vac running while unattended - you may fail to notice important signs indicating abnormal operation such as loss of suction, debris/liquid exiting exhaust, or abnormal motor noises. Immediately stop using Vac if you notice these signs.
- Do not leave Vac plugged-in when not in use.
- Do not continue running when float has cut off suction.
- Do not operate Vac in areas with flammable gases, vapors or explosive dust in the air. Sparks inside the motor can ignite airborne flammables. Flammable gases and vapors include: lighter fluid, solvent-type cleaners, oil-based paints, gasoline, alcohol, or aerosol sprays. Flammable dusts include: coal, magnesium, aluminum, grain, or gun powder.
- Do not vacuum up explosive dusts, flammable liquids, or hot ashes.
- Do not use Vac as a sprayer.

WARNING: To reduce the risk of electric shock or injury:

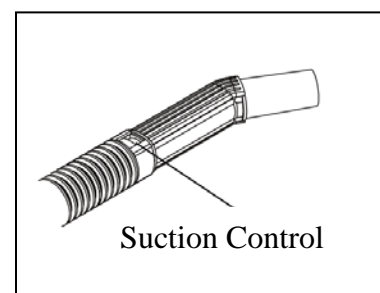
- Do not expose to rain or allow liquid to enter motor compartment. Store indoors.
- Do not handle plug, switch, or Vac with wet hands.
- Do not service Vac while it is plugged-in. If your Vac is not working as it should, has missing parts, has been dropped, damaged, left outdoors, or dropped into water, return it to an independent service center or call customer service.
- When using an extension cord, use only outdoor-rated cords that are in good condition. Do not allow the connection to come into contact with liquid.
- Do not vacuum toxic materials to reduce the risk of inhaling the vapors or dust.

Power On/OFF

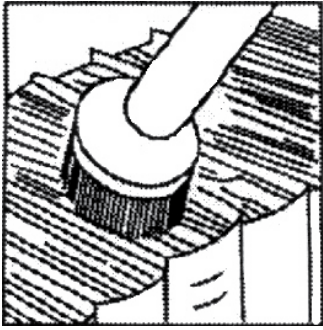
After you plug the power cord into the outlet, turn the unit on by pushing the switch from position "O" to position "I". The symbols used on the switch actuator are international "On & Off" symbols. "O" is the symbol for "OFF" and "I" is the symbol for "ON".

Suction Control

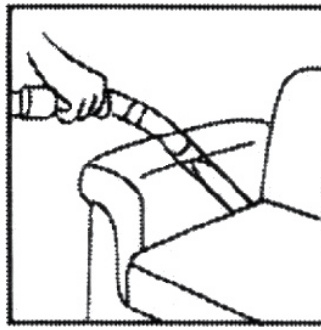
Adjust the suction control, when the suction control open, the suction gradually decreases, when it closed, the suction is gradually increasing.



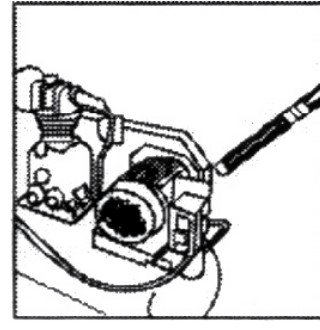
Accessories



Floor brush is
Suit for the floor, carpet
and so on.



Flat suction nozzle is suit
for the crevice corner and
Other places dusting and
sopping up.



Blowing port is suit for blowing
out the dust in the crevice of the
machine.

Vacuuming Dry Materials

Add a dust bag when used for dry only, easy to clean.

1. Open the clip, take out the machine head, then connect the washable dust bag with the vacuum port.
2. When finish the cleaning or suction power is losing obviously, please power off and pull out the dust from the dust bag.
 - 1) Open the clip, take out the machine head.
 - 2) Take out the dust bag, and pull out the dust.
 - 3) Connect the dust bag same as before. Install the machine head. Close the clip.

(Switch should be same towards with vacuum port.)



Vacuuming Liquids

Sponge filter when be used for vacuum water.

1. Open the clip, take out the machine head, and put sponge filter on the bottom basket.
2. When finish the cleaning or the container is full of water please power off and pull out the water in the drum.
 - 1) Open the clip, take out the machine head.
 - 2) Pull out water, and dry the sponge filter.
 - 3) Connect the sponge filter same as before. Install the machine head. Close the clip.

(Switch should be same towards with vacuum port.)

IMPORTANT: After cleaning, check the filter for tears or small holes. Do not use a filter with holes or tears in it. Even a small hole can cause a lot of dust to come out of your Vac. If your filter is damaged or worn, replace it immediately.

MAINTENANCE

Cleaning

To keep your Wet/Dry vacuum looking its best, clean the outside with a cloth dampened with warm water and mild soap.

To clean the drum:

1. Dump debris out.
2. Wash drum thoroughly with warm water and mild soap.
3. Wipe out with dry cloth.

Cleaning A Dry Filter

NOTE: For best cleaning results due to accumulated dust, clean the filter in an open area. Cleaning **SHOULD** be done outdoors and not in the living quarters.

Remove filter from Vac. Gently tap filter against the inside wall of your dust drum. The debris will loosen and fall.

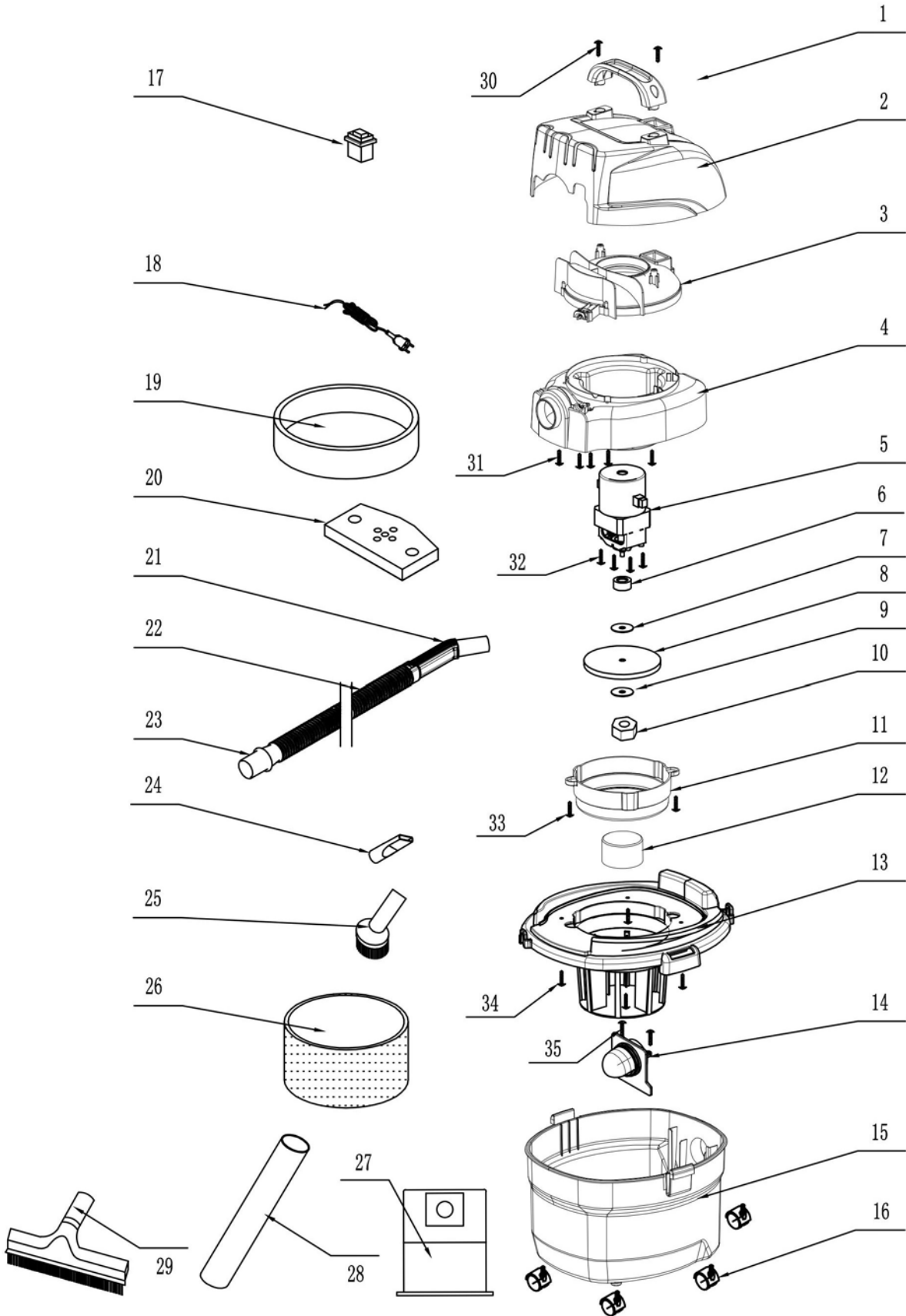
Cleaning A Wet Filter

After filter is removed, run water through the filter from a hose or spigot. Take care that water pressure from the hose is not strong enough to damage filter.

Storage

Before storing your Vac, the drum should be emptied and cleaned. The cord should be wrapped around the unit and the hose should be stored as described in this manual. Accessories should be kept in the same area as the Vac so they can be readily available. The Vac should be stored indoors.

EXPLODED VIEW & PARTS LIST



Item	Stock #	Description	Qty
1	PS225-001	Carrying Handle	1
2	PS225-002	Lid Assembly	1
3	PS225-003	Suction Canal	1
4	PS225-004	Motor Base	1
5	PS225-005	Motor	1
6	PS225-006	Gasket	1
7	PS225-007	Spacer	1
8	PS225-008	Impeller	1
9	PS225-009	Washer	1
10	PS225-010	Nut	1
11	PS225-011	Fan Cover	1
12	PS225-012	Safety Valve	1
13	PS225-013	Drum Lid	1
14	PS225-014	Vacuum Port	1
15	PS225-015	Drum	1
16	PS225-016	Wheel	4
17	PS225-017	ON/OFF Switch	1
18	PS225-018	Power Cord	1
19	PS225-019	Base	1
20	PS225-020	Bracket	1
21	PS225-021	Handpiece	1
22	PS225-022	Hose	1
23	PS225-023	Hose Connector	1
24	PS225-024	Car Nozzle	1
25	PS225-025	Brush Nozzle	1
26	PS225-026	Sponge Filter	1
27	PS225-027	Washable Dust Bag	1
28	PS225-028	Extension Wand	3
29	PS225-029	Floor Brush Nozzle	1
30	PS225-030	Screw M4x20	2
31	PS225-031	Screw M4x16	5
32	PS225-032	Screw M4x16	4
33	PS225-033	Screw M4x16	2
34	PS225-034	Screw M4x16	4
35	PS225-035	Screw M4x16	2

TWO (2) YEARS LIMITED WARRANTY

PowerSmart® is committed to building tools that are dependable for years. Our warranties are consistent with our commitment and dedication to quality.

TWO (2) YEARS LIMITED WARRANTY OF POWER SMART PRODUCTS FOR HOME USE.

PowerSmart ("Seller") warrants to the original purchaser only, that all PowerSmart consumer power tools will be free from defects in material or workmanship for a period of two (2) years from date of purchase. Ninety (90) days for all Power Smart Products, if the tool is used for professional or commercial use.

SELLER'S SOLE OBLIGATION AND YOUR EXCLUSIVE REMEDY under this Two (2) Years Limited Warranty and, to the extent permitted by law, any warranty or condition implied by law, shall be the repair or replacement of parts, without charge, which are defective in material or workmanship and which have not been misused, carelessly handled, or misrepaired by persons other than Seller or Authorized Service Center. To make a claim under this Limited Warranty, you must return the entire power tool product; transportation prepaid, to Power Smart Include a legible copy of the original receipt, which lists the date of purchase (month and year) and the name of the company purchased from.

THIS LIMITED WARRANTY DOES NOT APPLY TO ANY ACCESSORY ITEMS INCLUDED WITH THE TOOL SUCH AS CIRCULAR SAW BLADES OTHER RELATED ITEMS OR TO ANY REPLACEMENT PARTS LISTED UNDER MAINTENANCE.

ANY IMPLIED WARRANTIES SHALL BE LIMITED IN DURATION TO TWO (2) YEARS FROM DATE OF PURCHASE. SOME STATES IN THE U.S. AND SOME CANADIAN PROVINCES DO NOT ALLOW LIMITATIONS ON HOW LONG AN IMPLIED WARRANTY LASTS, SO THE ABOVE LIMITATION MAY NOT APPLY TO YOU.

IN NO EVENT SHALL SELLER BE LIABLE FOR ANY INCIDENTAL OR CONSEQUENTIAL DAMAGES (INCLUDING BUT NOT LIMITED TO LIABILITY FOR LOSS OF PROFITS) ARISING FROM THE SALE OR USE OF THIS PRODUCT. SOME STATES IN THE U.S. AND SOME CANADIAN PROVINCES DO NOT ALLOW THE EXCLUSION OR LIMITATION OF INCIDENTAL OR CONSEQUENTIAL DAMAGES, SO THE ABOVE LIMITATION OR EXCLUSION MAY NOT APPLY TO YOU.

THIS LIMITED WARRANTY GIVES YOU SPECIFIC LEGAL RIGHTS, AND YOU MAY ALSO HAVE OTHER RIGHTS WHICH VARY FROM STATE TO STATE IN THE U.S., PROVINCE TO PROVINCE IN CANADA AND FROM COUNTRY TO COUNTRY.

For questions / comments, technical assistance or repair parts –
Please call toll free at: 1-800-791-9458 (M-F 9am – 5pm EST)
Email: support@amerisuninc.com

SAVE YOUR RECEIPTS. THIS WARRANTY IS VOID WITHOUT THEM.