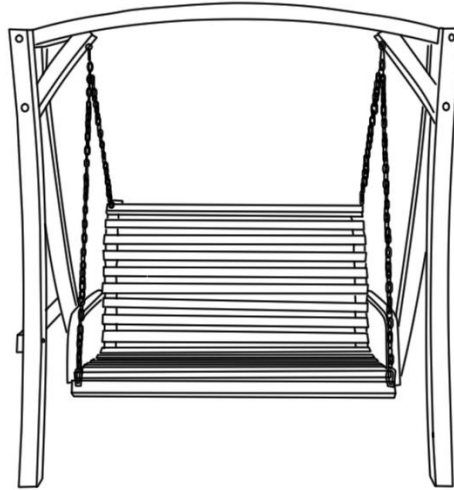


# Assembly Instructions

Caution: You must read this before you proceed

## Wooden Swing Chair





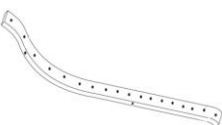


**CAUTION : Do Not Swing on or in chair. This could cause the product to tip over resulting in possible injury.**

**This Swing Chair is NOT a TOY.**

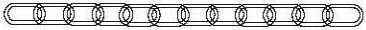
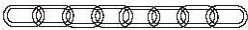
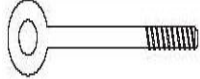


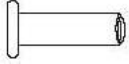






**Keep your child / children at bay during the assembly process.**

**Have at least two to four adults on hand to help with assembling this swing chair.**

### Parts List

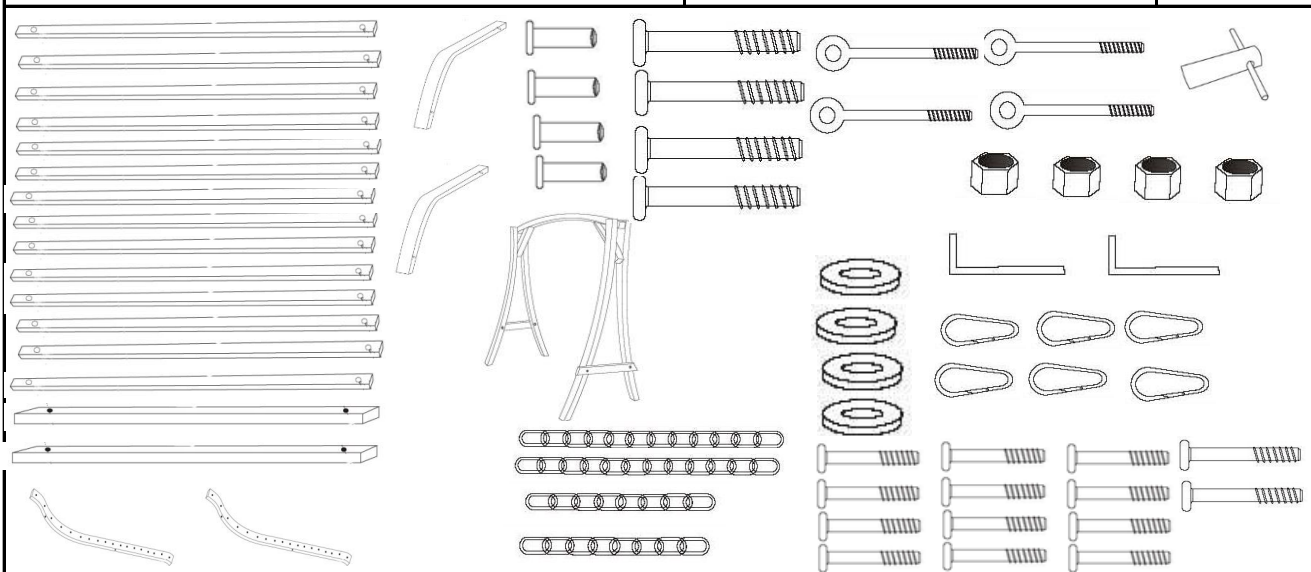
Label	Picture	Description	QTY
S		Wooden Seat Bar	14
T		Wooden End Bar	2
E		Side Supporting Bar	2
Q		Armrest	2
G		Frame (Found in Separate Carton)	1

# Hardware

Label	Picture	Description	QTY
A		Long Chain	2
B		Short Chain	2
C		Eye Bolt(M10X60MM)	4
J		Carabiner	6
L		Bolt(M8X100MM)	4
M		Bolt Cap	4
K		Bolt(M8X50MM)	29
G		Nut	5
H		Washer	5
W		Socket Wrench	1
Y		Allen Key	2
Y1		Bigger Allen Key	2

## Assembly Preparation

Before Beginning Assembly:





- Read instructions, cover to cover-



- Have 2 adults on hand for assembly-



- Do not assemble on flooring or carpet-



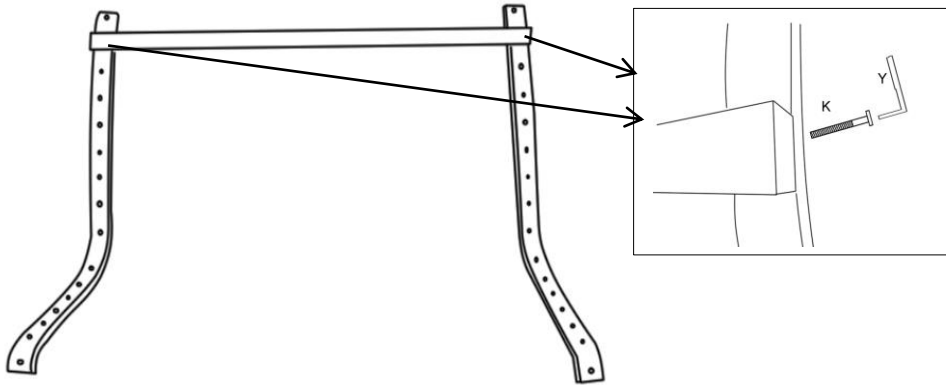
- Assemble on a clean non-marring surface (packing foam)-



- Save all packaging until finished-

## Assembly Steps

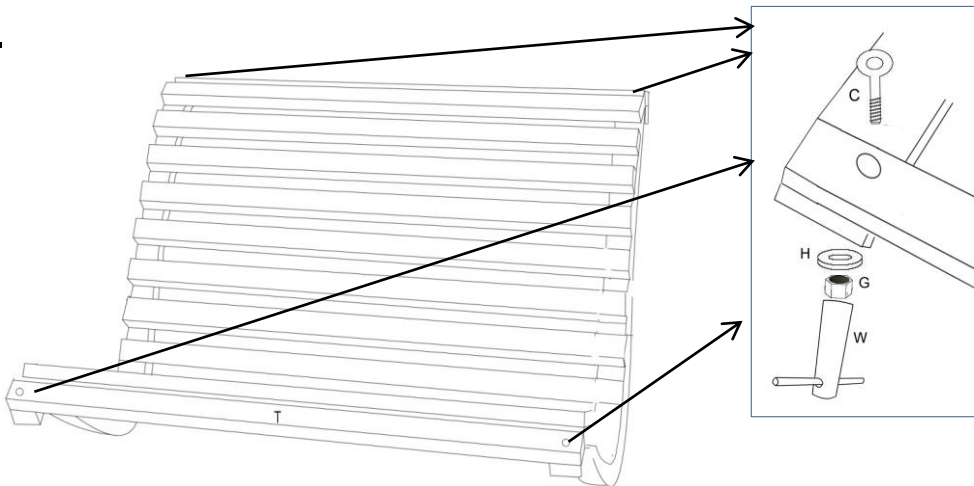
### Step 1



Attach Wooden Seat Bar(S) to the Side Supporting Bar(E) with Bolt(H) using Allen Key(Y). Repeat this process with the remaining thirteen Wooden Seat Bars(S).

**Do not over tighten the Bolts.**

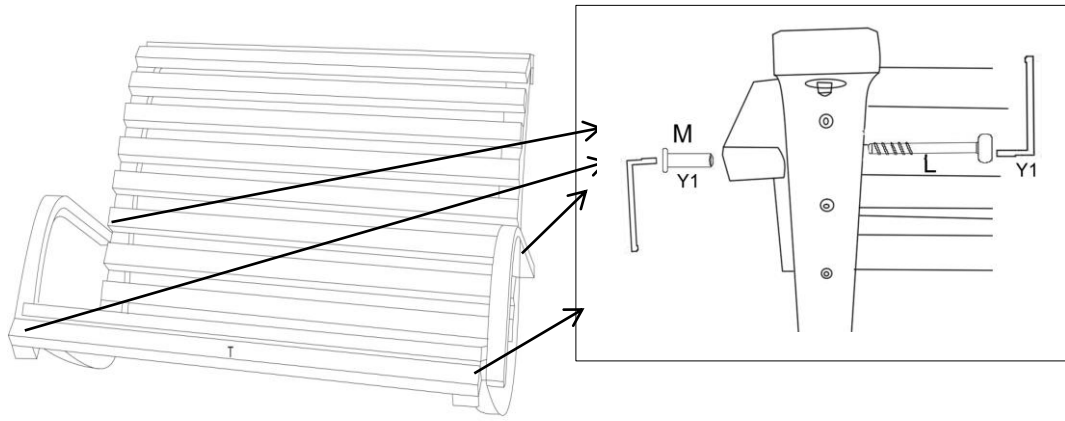
### Step 2



Attach the two Wooden End Bars(T) to the both ends of Seat using Eye Bolts(C), Washer(H) and Nut(G) with Socket Wrench(W).

**Do not over tighten the Bolts.**

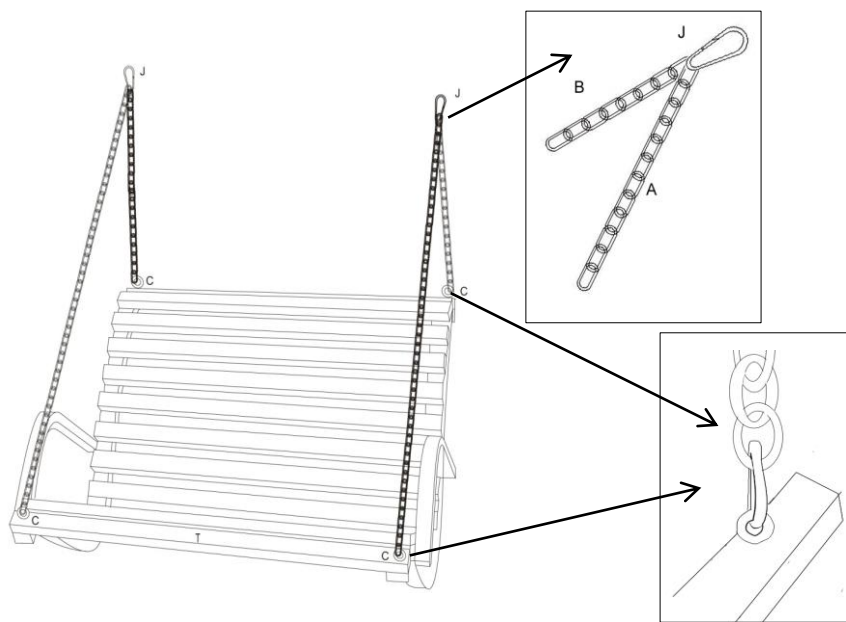
## Step 3



Attach the two Armrests(Q) to the Side Supporting Bar(E) using Bolt(L) and Bolt Cap(M) using Bigger Allen Keys(Y1).

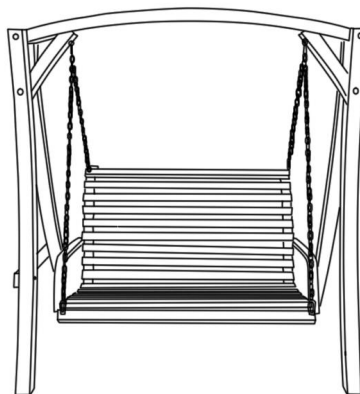
**Now, FULLY tighten all Bolts at all joints.**

## Step 4



Connect Long Chain(A) to the Eye Bolt(C) at the bottom end of the chair with Carabiner(J). Connect Short Chain(B) to the Eye Bolt(C) at the top end of the chair with Carabiner(J). Connect the top ends of the Chains(A,B) together with Carabiner(J).

## Step 5



Connect Carabiner(J) on Chain(A,B) to the Eye Bolt on Frame(G).



**This step must be performed with your partners as the fully assembled Chair is heavy.**

Your Swing Chair is ready for use.

**Caution: Be careful when getting on and off of the Swing Chair. Children must be supervised at all times when using the Swing Chair.**

## Care & Maintenance

-   Do not put hot items directly on furniture surface.
-   Do not clean furniture with harsh cleansers or polish.
-   To obtain the longest lifespan of your outdoor products, minimizing exposure to direct sunlight is recommended.
-   Children should not climb or jump on the furniture.
-   Do not write on furniture without a padded barrier to protect the surface.
-   To obtain the longest lifespan of your outdoor products, avoid extended and lengthy exposure to rain, snow, and direct sunshine. Whenever possible cover the product and /or place under patio or awnings.
-   Not for commercial use. For residential use only.
-   Stains may be removed with mild soap solution and damp cloth.

- 
-   Dust and pick-up spills using a clean, non-colored, lint-free cloth.

### What Is Proposition 65?

Proposition 65 is a California law that requires warning labels on products that may contain one of more than 800-plus chemicals or ingredients that the California Office of Environmental Health Hazard Assessment (OEHHA) has deemed to cause cancer or other reproductive toxicity. Chemicals and elements on this list include wood dust, brass, and other everyday substances, which can be found in very common household items, such as: lamps, tableware, jewelry, crystal glasses, electric cords, beauty products, automobiles, and furniture.

### Why Did I Find a Proposition 65 Warning on My Home Goods Product?

We include Proposition 65 warnings on all of our products because there is always a chance that one of the 800-plus common chemicals and ingredients listed under this law could potentially be on our furniture or packing materials. We risk large fines under this law, if we don't include this warning.

### Should I worry?

We realize you may be worried finding this warning on our products, but we want to reassure you that the hazardous exposure limits for any of these chemicals have never been found on furniture products that we've shipped to our customers. Additionally, this warning label is very common and can be found on almost every piece of furniture sold in the state of California.

### Just How Common Are Proposition 65 Warnings?

Proposition 65 warnings have become so common in California that it is hard to take a trip to a local bank, grocery store, or restaurant without finding at least one warning. In fact, even the Disney Land Resort has a Proposition 65 warning:

