

INSTRUCTION MANUAL  
MANUEL D'INSTRUCTION  
MANUAL DE INSTRUCCIONES

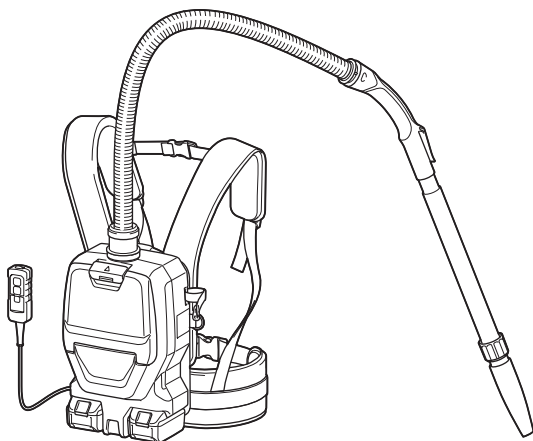


# Cordless Backpack Vacuum Cleaner

## Aspirateur Dorsal Sans Fil

## Aspiradora de mochila a batería

### XCV05



**IMPORTANT:** Read Before Using.

**IMPORTANT :** Lire avant usage.

**IMPORTANTE:** Lea antes de usar.

## SPECIFICATIONS

<b>Model:</b>		<b>XCV05</b>	
Capacity	Filter bag	2.0 L (0.53 gal.)	
	Dust bag	1.5 L (0.40 gal.)	
Maximum air volume		1.5 m <sup>3</sup> /min (53 cu.ft/min)	
Dimensions (L x W x H) (excluding the harness)		185 mm x 230 mm x 373 mm (7-1/4" x 9" x 14-3/4")	
Rated voltage		D.C. 36 V	
Standard battery cartridge		BL1815N, BL1820, BL1820B	BL1830, BL1830B, BL1840, BL1840B, BL1850, BL1850B, BL1860B
Net weight		3.8 kg (8.5 lbs)	4.3 kg (9.6 lbs)

- Due to our continuing program of research and development, the specifications herein are subject to change without notice.
- Specifications and battery cartridge may differ from country to country.
- Weight, with battery cartridge, according to EPTA-Procedure 01/2003

## SAFETY WARNINGS

## IMPORTANT SAFETY INSTRUCTIONS

When using an electrical appliance, basic precautions should always be followed, including the following:

**READ ALL  
INSTRUCTIONS  
BEFORE USING THIS  
APPLIANCE.**

## WARNING

To reduce the risk of fire, electric shock or injury:

1. Do not leave appliance when battery fitted. Remove battery from appliance when not in use and before servicing.
2. Do not expose to rain. Store indoors.
3. Do not allow to be used as a toy. Close attention is necessary when used near children.
4. Use only as described in this manual. Use only manufacturer's recommended attachments.
5. Do not use with damaged battery. If appliance is not working as it should, has been dropped, damaged, left outdoors, or dropped into water, return it to a service center.
6. Do not handle appliance with wet hands.
7. Do not put any object into openings. Do not use with any opening blocked; keep free of dust, lint, hair, and anything that may reduce air flow.
8. Keep hair, loose clothing, fingers, and all parts of body away from openings and moving parts.
9. Turn off all controls before removing the battery cartridge.
10. Use extra care when cleaning on stairs.
11. Do not use to pick up flammable or combustible liquids, such as gasoline, or use in areas where they may be present.

12. Use only the charger supplied by the manufacturer to recharge.
  13. Do not pick up anything that is burning or smoking, such as cigarettes, matches, or hot ashes.
  14. Do not use without dust collecting bag in place.
  15. Do not charge the battery outdoors.
  16. Use power tools only with specifically designated battery packs. Use of any other battery packs may create a risk of injury and fire.
  17. When battery pack is not in use, keep it away from other metal objects, like paper clips, coins, keys, nails, screws or other small metal objects, that can make a connection from one terminal to another. Shorting the battery terminals together may cause burns or a fire.
  18. Under abusive conditions, liquid may be ejected from the battery; avoid contact. If contact accidentally occurs, flush with water. If liquid contacts eyes, additionally seek medical help. Liquid ejected from the battery may cause irritation or burns.
- Ignitable materials such as Aluminum, zinc, magnesium, titanium, phosphorus or celluloid
  - Wet dirt, water, oil or the like
  - Hard pieces with sharp edges, such as wood chips, metals, stones, glasses, nails, pins or razors
  - Powder to clot such as cement or toner
  - Conductive dust such as metal or carbon
  - Fine particle like concrete dust
- Such action may cause fire, injury and/or property damage.
3. Stop operation immediately if you notice anything abnormal.
  4. If you drop or strike the cleaner, check it carefully for cracks or damage before operation.
  5. Do not bring close to stoves or other heat sources.
  6. Do not block the intake hole or vent holes.

## SAVE THESE INSTRUCTIONS.

This appliance is intended for commercial use.

## ADDITIONAL SAFETY RULES

1. Read this instruction manual and the charger instruction manual carefully before use.
  2. Do not pick up the following materials:
    - Hot materials such as lit cigarettes or spark/metal dust generated by grinding/cutting metal
    - Flammable materials such as gasoline, thinner, benzine, kerosene or paint
    - Explosive materials like nitroglycerin
1. Before using battery cartridge, read all instructions and cautionary markings on (1) battery charger, (2) battery, and (3) product using battery.
  2. Do not disassemble battery cartridge.
  3. If operating time has become excessively shorter, stop operating immediately. It may result in a risk of overheating, possible burns and even an explosion.
  4. If electrolyte gets into your eyes, rinse them out with clear water and seek medical attention right away. It may result in loss of your eyesight.
  5. Do not short the battery cartridge:
    - (1) Do not touch the terminals with any conductive material.

## Important safety instructions for battery cartridge

- (2) **Avoid storing battery cartridge in a container with other metal objects such as nails, coins, etc.**
- (3) **Do not expose battery cartridge to water or rain.**

**A battery short can cause a large current flow, overheating, possible burns and even a breakdown.**

6. **Do not store the tool and battery cartridge in locations where the temperature may reach or exceed 50 °C (122 °F).**
7. **Do not incinerate the battery cartridge even if it is severely damaged or is completely worn out. The battery cartridge can explode in a fire.**
8. **Be careful not to drop or strike battery.**
9. **Do not use a damaged battery.**
10. **The contained lithium-ion batteries are subject to the Dangerous Goods Legislation requirements.**

For commercial transports e.g. by third parties, forwarding agents, special requirement on packaging and labeling must be observed.

For preparation of the item being shipped, consulting an expert for hazardous material is required. Please also observe possibly more detailed national regulations.

Tape or mask off open contacts and pack up the battery in such a manner that it cannot move around in the packaging.

11. **Follow your local regulations relating to disposal of battery.**

## SAVE THESE INSTRUCTIONS.

**CAUTION:** Only use genuine Makita batteries. Use of non-genuine Makita batteries, or batteries that have been altered, may result in the battery bursting causing fires, personal injury and damage. It will also void the Makita warranty for the Makita tool and charger.

### Tips for maintaining maximum battery life

1. **Charge the battery cartridge before completely discharged. Always stop tool operation and charge the battery cartridge when you notice less tool power.**

2. **Never recharge a fully charged battery cartridge. Overcharging shortens the battery service life.**
3. **Charge the battery cartridge with room temperature at 10 °C - 40 °C (50 °F - 104 °F). Let a hot battery cartridge cool down before charging it.**
4. **Charge the battery cartridge if you do not use it for a long period (more than six months).**

### Symbols

The followings show the symbols used for tool.

v	volts
— — —	direct current

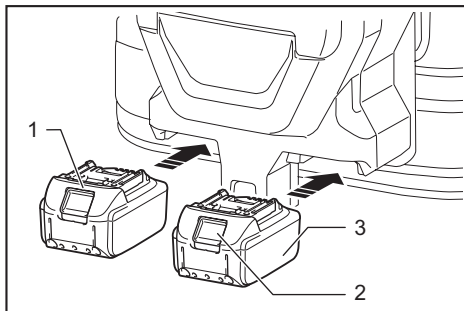
## FUNCTIONAL DESCRIPTION

**CAUTION:** Always be sure that the tool is switched off and the battery cartridge is removed before adjusting or checking function on the tool.

### Installing or removing battery cartridge

**CAUTION:** Always switch off the tool before installing or removing of the battery cartridge.

**CAUTION:** Hold the tool and the battery cartridge firmly when installing or removing battery cartridge. Failure to hold the tool and the battery cartridge firmly may cause them to slip off your hands and result in damage to the tool and battery cartridge and a personal injury.



► 1. Red indicator 2. Button 3. Battery cartridge

To remove the battery cartridge, slide it from the tool while sliding the button on the front of the cartridge.

To install the battery cartridge, align the tongue on the battery cartridge with the groove in the housing and slip it into place. Insert it all the way until it locks in place with a little click. If you can see the red indicator on the upper side of the button, it is not locked completely.

**CAUTION:** Always install the battery cartridge fully until the red indicator cannot be seen. If not, it may accidentally fall out of the tool, causing injury to you or someone around you.

**CAUTION:** Do not install the battery cartridge forcibly. If the cartridge does not slide in easily, it is not being inserted correctly.

## Tool / battery protection system

The tool is equipped with a tool/battery protection system. This system automatically cuts off power to the motor to extend tool and battery life. The tool will automatically stop during operation if the tool or battery is placed under one of the following conditions.

### Overload protection

When the tool is operated in a manner that causes it to draw an abnormally high current, the tool automatically stops without any indication. In this situation, turn the tool off and stop the application that caused the tool to become overloaded. Then turn the tool on to restart.

### Overheat protection

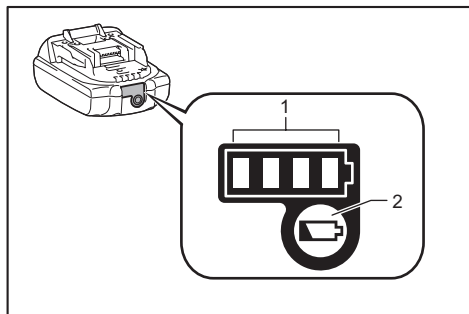
When the tool is overheated, the tool stops automatically. Let the tool cool down before turning the tool on again.

### Overdischarge protection

When the battery capacity becomes low, the tool stops automatically. If the product does not operate even when the switches are operated, remove the batteries from the tool and charge the batteries.

## Indicating the remaining battery capacity

*Only for battery cartridges with "B" at the end of the model number*



► 1. Indicator lamps 2. Check button

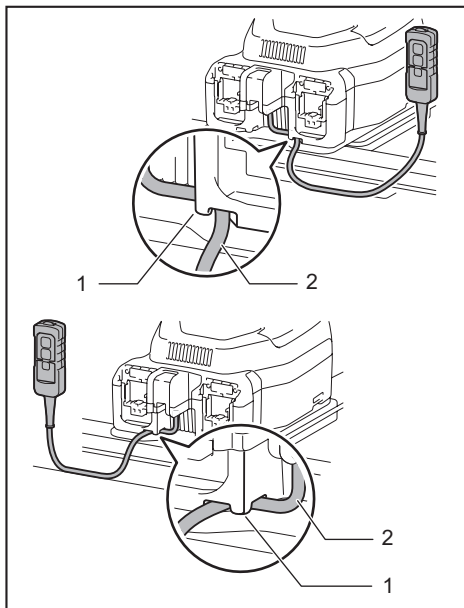
Press the check button on the battery cartridge to indicate the remaining battery capacity. The indicator lamps light up for few seconds.

Indicator lamps			Remaining capacity
Lighted	Off	Blinking	
■ ■ ■ ■	□ □ □ □	▧	75% to 100%
■ ■ ■ □	□ □ □ □	▧	50% to 75%
■ ■ □ □	□ □ □ □	▧	25% to 50%
■ □ □ □	□ □ □ □	▧	0% to 25%
▧ □ □ □	□ □ □ □	▧	Charge the battery.
■ ■ □ □	□ □ □ □	▧	The battery may have malfunctioned.
□ □ ■ ■	□ □ □ □	▧	

**NOTE:** Depending on the conditions of use and the ambient temperature, the indication may differ slightly from the actual capacity.

## Switch box position

The switch box can be hooked on either side of the lower belt. Arrange the cord so that the switch box comes to your desired side. To prevent the cord from being damaged, pass the cord through the hook as illustrated.

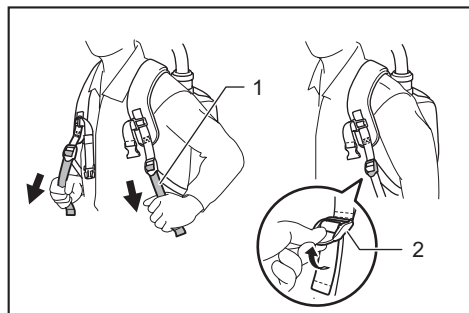


► 1. Hook 2. Cord

## Adjusting belts

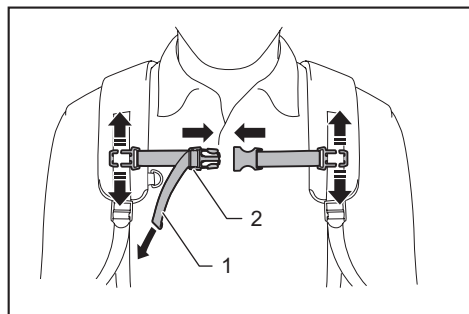
The tightness of the shoulder belts, upper and lower belts can be adjusted. Put your arms through the shoulder belts first then fasten the upper and lower belts. To tighten, pull the end of the strap as illustrated. To loosen, pull up the end of the fastener.

### Shoulder belts



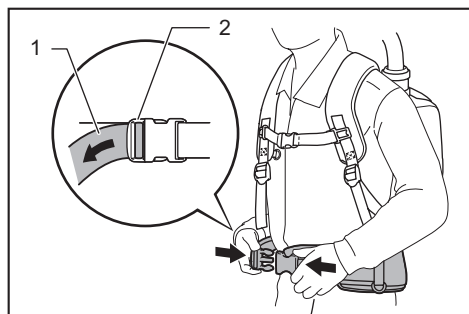
► 1. Strap 2. Fastener

### Upper belt



► 1. Strap 2. Fastener

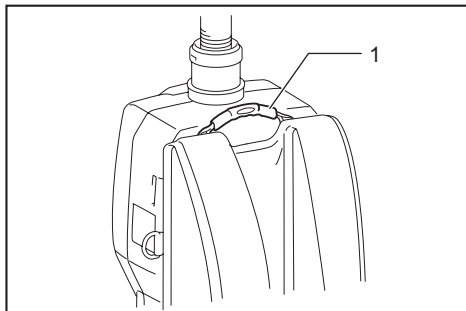
### Lower belt



► 1. Strap 2. Fastener

## Carrying hook

Always grab the carrying hook when handling the vacuum cleaner body.

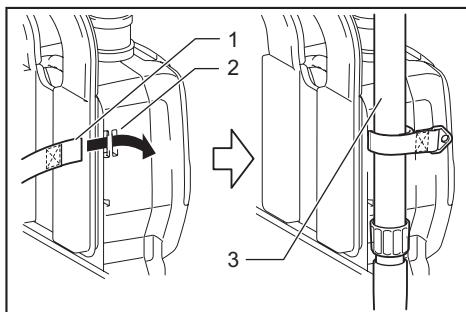


► 1. Carrying hook

## Hose band

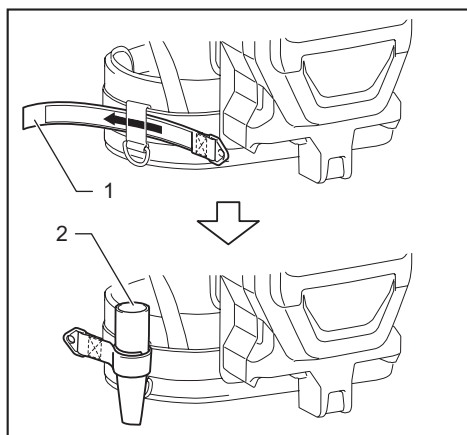
Hose band can be used for holding the wand or free nozzle.

To secure the wand to the vacuum cleaner body, pass the hose band through the slot on the body. You can attach the hose band on either side.



► 1. Hose band 2. Slot 3. Extension wand

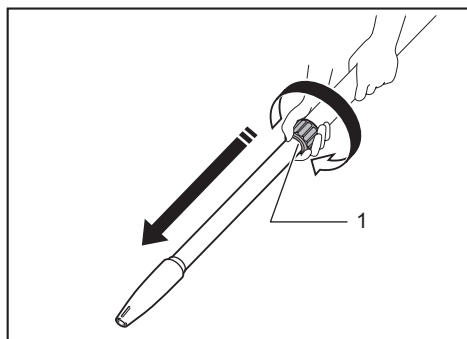
To hold the free nozzle on the lower belt, pass the hose band through the loop on the lower belt.



► 1. Hose band 2. Free nozzle

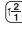
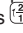

## Extension wand

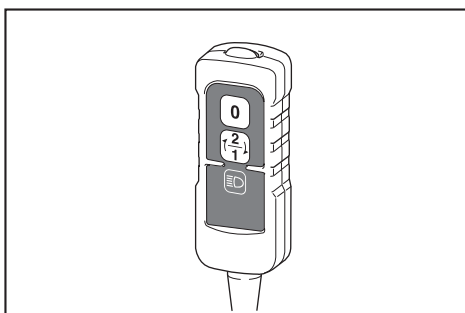
The length of the wand can be adjusted. Loosen the ring on the wand and adjust the wand length. Tighten the ring at your desired length.





► 1. Ring

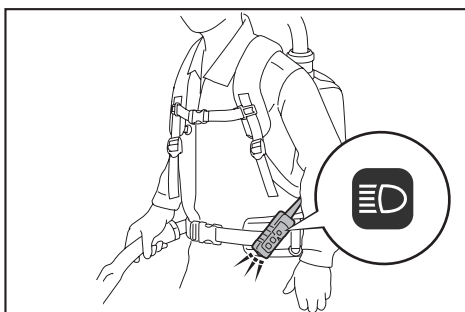
## Switch action

To start the cleaning, press  button once. The vacuum cleaner will start in higher suction power (2). If you want to lower the suction power, press  button one more time. The vacuum cleaner will operate in normal suction power (1). When you press the button while the vacuum cleaner is running, the suction power switches between higher and normal suction power. To turn off the vacuum cleaner, press  button.



## LED light

LED light is installed in the head of the switch box to ease the operations in dark places. Press  button to turn the light on. To turn off, press  button again.



**CAUTION:** Do not look in the light or see the source of light directly. Never aim the light to other people's eyes.

**NOTE:** The LED light is automatically turned off when the vacuum cleaner is not operated for more than 10 minutes.

**NOTE:** The vacuum cleaner will automatically switches off and the LED light flashes when the vacuum cleaner is overheated due to the reduced air-flow into the machine caused by clogged hose, pipe, filter or other reasons.

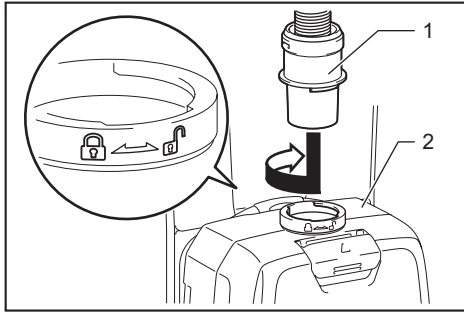
## ASSEMBLY

**CAUTION:** Always be sure that the tool is switched off and the battery cartridge is removed before carrying out any work on the tool.

## Assembling hose/wand/nozzle

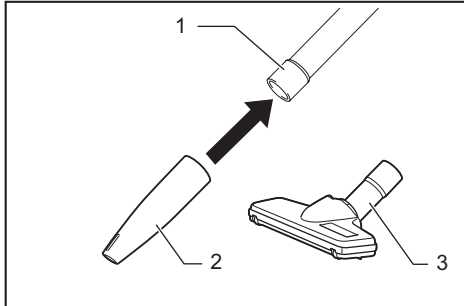
Connect the vacuum cleaner body with the hose, wand and nozzle. Insert the hose cuff into the vacuum cleaner body and turn it clockwise. Connect the nozzle to the extension wand. After that, shoulder the vacuum cleaner body then connect the hose with the extension wand.

## Connecting vacuum cleaner body and hose



- 1. Hose cuff 2. Vacuum cleaner body

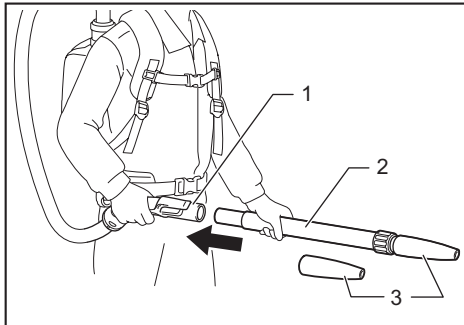
## Connecting extension wand and nozzle



- 1. Extension wand 2. Free nozzle 3. T-shape nozzle

**NOTE:** The free nozzle can be attached directly to the hose.

## Connecting hose and extension wand



- 1. Hose 2. Extension wand 3. Free nozzle

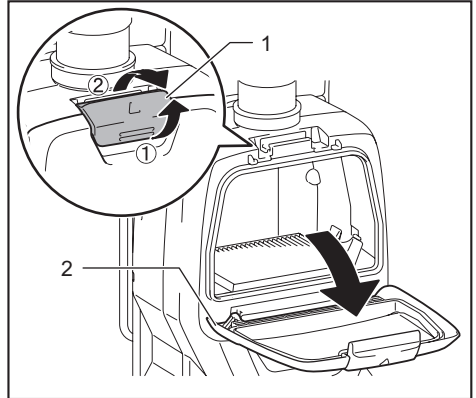
**NOTE:** The free nozzle can be attached to the hose directly.

## Installing filter bag

**CAUTION:** Do not use a damaged filter bag. Always use the vacuum cleaner with the filter bag properly installed. Otherwise the vacuumed dust or particles may be exhausted from the cleaner and they may cause respiratory disease to the operator.

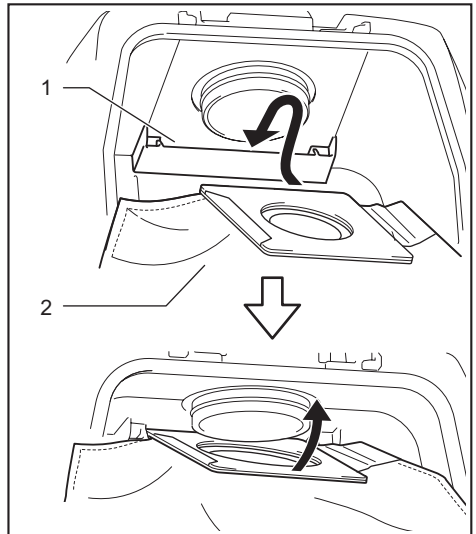
**NOTICE:** When the filter bag is already full, replace with new one. Continuous use with the filter bag full results in reduced suction power.

1. Unlock the latch by lifting the bottom side. Push the grooved area to lift the front latching side. Pull the latch to open the lid.



- 1. Hook 2. Lid

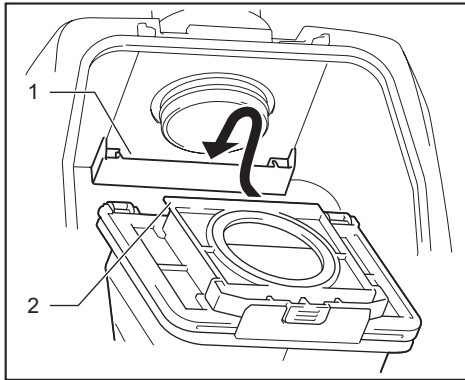
2. Insert the filter bag into the slit on the upper side of the room as illustrated.



- 1. Slit 2. Filter bag / Dust bag

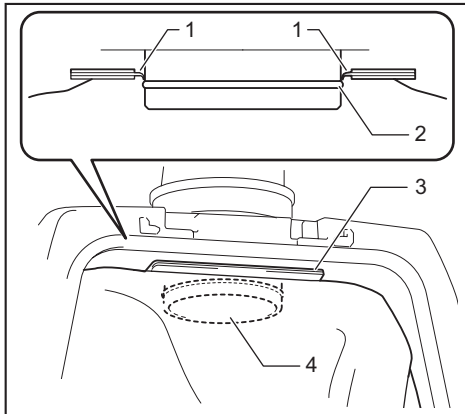


When using the dust bag (optional accessory), insert the brim of the dust bag into the slit.



► 1. Slit 2. Brim

3. Align the hole of the filter bag with the hose cuff and push the cardboard portion to the end. Make sure that the rubber ring on the filter bag goes over the rim on the hose cuff.



► 1. Rubber ring on the filter bag 2. Rim on the hose cuff 3. Cardboard portion of the filter bag 4. Hose cuff

## OPERATION

**⚠ WARNING:** Operators shall be adequately instructed on the use of the vacuum cleaner.

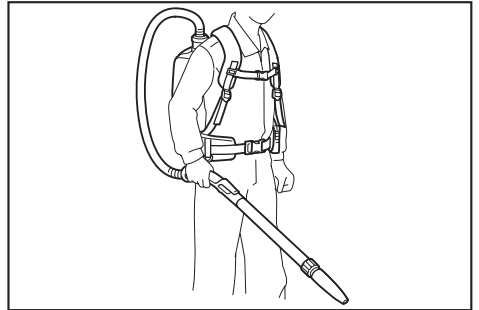
**⚠ WARNING:** This vacuum cleaner is not suitable for picking up hazardous dust.




**⚠ CAUTION:** This cleaner is for dry use only.

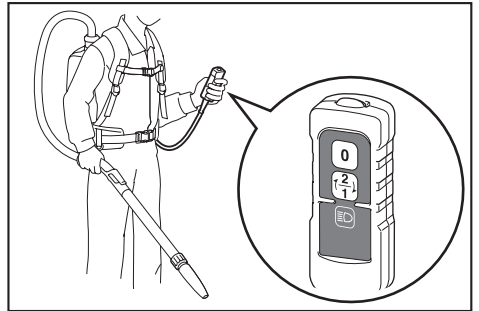
**⚠ CAUTION:** This cleaner is for indoor use only.

**⚠ CAUTION:** Always insert the battery cartridge all the way until it locks in place. If you can see the red indicator on the upper side of the button, it is not locked completely. Insert it fully until the red indicator cannot be seen. If not, it may accidentally fall out of the tool, causing injury to you or someone around you.

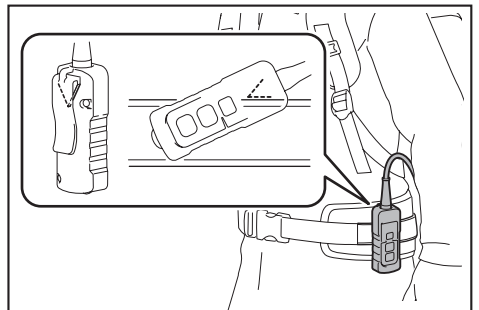
1. Shoulder the vacuum cleaner body and fasten upper and lower belts. Adjust the tightness as necessary.



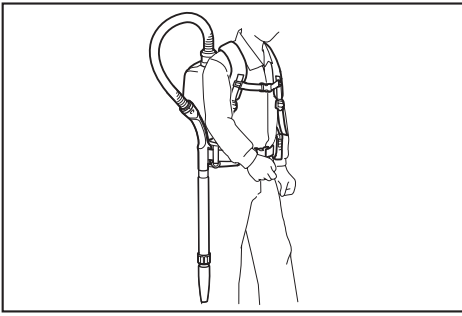
2. Press  button to start cleaning. If you want to lower the suction power, press  button one more time. Press  button to stop.



During cleaning, hook the switch box on the lower belt. The hook can be slanted for lighting forward.

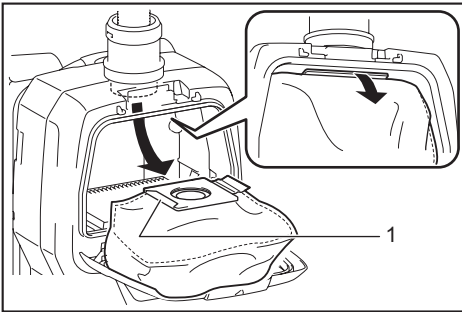


When you suspend the operation, the hook on the hose can be used for hanging the wand on the lower belt.



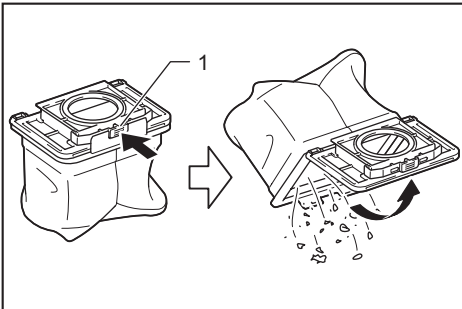
**NOTE:** The vacuum cleaner will automatically switch off and the LED light flashes when the vacuum cleaner is overheated due to the reduced air-flow into the machine caused by clogged hose, pipe, filter or other reasons. In this case, remove the cause of the problem and cool the vacuum cleaner before restarting.

3. Replace the filter bag when it becomes full. Open the lid and take out the filter bag. Pull the strip on the side of the opening to shut the filter bag and dispose of the filter bag in whole.



- 1. Strip

When using a dust bag (optional accessory), take out the dust bag and dispose of the dust by releasing the latch.



- 1. Latch

**NOTICE:** Periodically check the filter bag if it is full. Continuous use with the filter bag full results in reduced suction power.

**NOTICE:** Do not use an used filter bag. The filter bag is designed for single use. If you want to use the bag repeatedly, use a dust bag (optional accessory).

## MAINTENANCE

**CAUTION:** Always be sure that the tool is switched off and the battery cartridge is removed before attempting to perform inspection or maintenance.

**NOTICE:** Never use gasoline, benzine, thinner, alcohol or the like. Discoloration, deformation or cracks may result.

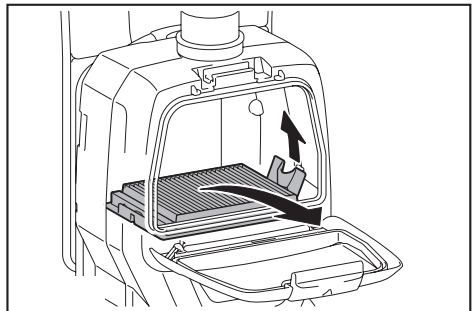
### Cleaning the filter

**CAUTION:** Do not use the vacuum cleaner without a filter or continue to use dirty or damaged filter. Vacuumed dust or particles may be exhausted from the cleaner and they may cause respiratory disease to the operator.

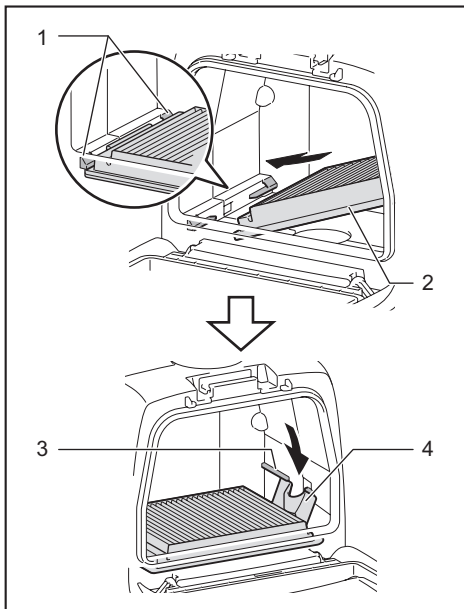
**NOTICE:** To keep optimum suction power and clean exhaust, clean the filter periodically. If enough suction power is not obtained even after the cleaning, replace the filter with new one.

**NOTICE:** To prevent the filter from being damaged, do not use an air duster and/or high pressure washer for cleaning.

1. Open the lid and take out the filter bag. Release the hook on the filter and remove it from the vacuum cleaner body.



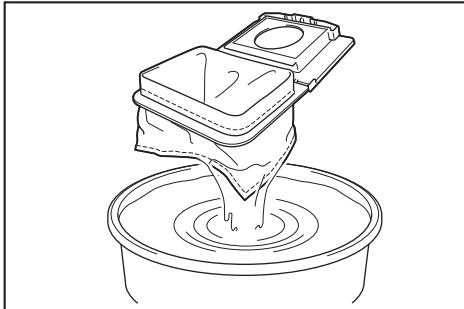
2. Beat the dust off from the filter. The filter can be washed with water. Rinse away the dust and particles on the filter every 1 or 2 month. After that, dry the filter completely in a shaded and well-ventilated place to prevent unpleasant odor or malfunctions.
3. To install the filter, insert the side without the flap into the holder then push the filter downward until the flap is secured by the rib.



► 1. Holder 2. Filter 3. Rib 4. Flap

## Cleaning the dust bag

Regularly clean the dust bag with soap and water. Turn the dust bag inside out and remove the sticky dust. Wash lightly by hand and rinse well with water. Dry completely before installing to the vacuum cleaner.



**NOTICE:** Wet dust bag lowers the vacuuming performance as well as the life of the motor.

To maintain product SAFETY and RELIABILITY, repairs, any other maintenance or adjustment should be performed by Makita Authorized or Factory Service Centers, always using Makita replacement parts.

## OPTIONAL ACCESSORIES

**CAUTION:** These accessories or attachments are recommended for use with your Makita tool specified in this manual. The use of any other accessories or attachments might present a risk of injury to persons. Only use accessory or attachment for its stated purpose.

If you need any assistance for more details regarding these accessories, ask your local Makita Service Center.

- Flexible hose
- Extension wand
- Free nozzle
- T-shape nozzle
- Nozzle for carpet
- Shelf brush
- Round brush
- Filter bag
- Dust bag
- Filter
- Makita genuine battery and charger

**NOTE:** Some items in the list may be included in the tool package as standard accessories. They may differ from country to country.

## MAKITA LIMITED ONE YEAR WARRANTY

### Warranty Policy

Every Makita tool is thoroughly inspected and tested before leaving the factory. It is warranted to be free of defects from workmanship and materials for the period of ONE YEAR from the date of original purchase. Should any trouble develop during this one year period, return the COMPLETE tool, freight prepaid, to one of Makita's Factory or Authorized Service Centers. If inspection shows the trouble is caused by defective workmanship or material, Makita will repair (or at our option, replace) without charge.

This Warranty does not apply where:

- repairs have been made or attempted by others:
- repairs are required because of normal wear and tear:
- the tool has been abused, misused or improperly maintained:
- alterations have been made to the tool.

IN NO EVENT SHALL MAKITA BE LIABLE FOR ANY INDIRECT, INCIDENTAL OR CONSEQUENTIAL DAMAGES FROM THE SALE OR USE OF THE PRODUCT. THIS DISCLAIMER APPLIES BOTH DURING AND AFTER THE TERM OF THIS WARRANTY.

MAKITA DISCLAIMS LIABILITY FOR ANY IMPLIED WARRANTIES, INCLUDING IMPLIED WARRANTIES OF "MERCHANTABILITY" AND "FITNESS FOR A SPECIFIC PURPOSE," AFTER THE ONE YEAR TERM OF THIS WARRANTY.

This Warranty gives you specific legal rights, and you may also have other rights which vary from state to state. Some states do not allow the exclusion or limitation of incidental or consequential damages, so the above limitation or exclusion may not apply to you. Some states do not allow limitation on how long an implied warranty lasts, so the above limitation may not apply to you.

## SPÉCIFICATIONS

Modèle :		XCV05	
Capacité	Sac filtre	2,0 L (0,53 gal.)	
	Sac à poussières	1,5 L (0,40 gal.)	
Volume d'air maximum		1,5 m <sup>3</sup> /min (53 cu.ft/min)	
Dimensions (L x P x H) (harnais non compris)		185 mm x 230 mm x 373 mm (7-1/4" x 9" x 14-3/4")	
Tension nominale		C.C. 36 V	
Batterie standard		BL1815N, BL1820, BL1820B	BL1830, BL1830B, BL1840, BL1840B, BL1850, BL1850B, BL1860B
Poids net		3,8 kg (8,5 lbs)	4,3 kg (9,6 lbs)

- Étant donné l'évolution constante de notre programme de recherche et développement, les spécifications contenues dans ce manuel sont sujettes à modification sans préavis.
- Les spécifications et la batterie peuvent varier suivant les pays.
- Poids, batterie comprise, conforme à la procédure EPTA 01/2003

## CONSIGNES DE SÉCURITÉ

## IMPORTANTES CONSIGNES DE SÉCURITÉ

Lors de l'utilisation d'un appareil électrique, vous devez toujours prendre des précautions de base, dont les suivantes :

## CONSERVEZ CES INSTRUCTIONS.

## MISE EN GARDE

Pour réduire les risques d'incendie, de décharge électrique et de blessure :

1. **Ne quittez pas l'appareil alors que la batterie y est insérée. Retirez la batterie de l'appareil lorsqu'il n'est pas utilisé et avant de le faire réparer.**
2. **Ne l'exposez pas à la pluie. Rangez-le à l'intérieur.**

3. **Ne laissez pas les enfants l'utiliser comme jouet. Une attention particulière est nécessaire lors de l'utilisation à proximité d'enfants.**
4. **Utilisez l'outil uniquement de la façon décrite dans ce manuel. Utilisez uniquement les accessoires recommandés par le fabricant.**
5. **Ne l'utilisez pas avec une batterie endommagée. Si l'appareil ne fonctionne pas bien, s'il a été échappé, endommagé, laissé à l'extérieur ou échappé dans l'eau, retournez-le à un centre de service après-vente.**
6. **Ne manipulez pas l'appareil avec les mains mouillées.**
7. **Ne mettez rien dans les ouvertures. N'utilisez jamais l'outil si une des ouvertures est bouchée ; gardez ces dernières exemptes de poussières, charpies, cheveux ou tout objet pouvant réduire la circulation de l'air.**
8. **Gardez les cheveux, les vêtements amples, les doigts et toute autre partie du corps à l'écart des ouvertures et des pièces en mouvement.**
9. **Mettez toutes les commandes hors tension avant de retirer la batterie.**

10. **Soyez tout particulièrement prudent lorsque vous nettoyez sur les marches d'un escalier.**
11. **Ne l'utilisez pas pour aspirer des liquides inflammables ou combustibles tels que l'essence, ou dans des zones où de tels liquides peuvent être présents.**
12. **Utilisez uniquement le chargeur fourni par le fabricant pour recharger la batterie.**
13. **N'aspirez pas d'objets qui brûlent ou dégagent de la fumée, tels que des cigarettes, des allumettes ou des cendres encore chaudes.**
14. **N'utilisez pas l'appareil sans mettre en place le sac de collecte des poussières.**
15. **Ne chargez pas la batterie à l'extérieur.**
16. **N'utilisez les outils électriques qu'avec les blocs-piles spécifiquement conçus pour eux.** L'utilisation de tout autre bloc-piles peut entraîner un risque de blessure et d'incendie.
17. **Lorsque le bloc-piles n'est pas utilisé, gardez-le à l'écart des autres objets métalliques pouvant établir la connexion entre les bornes, tels que trombones, pièces de monnaie, clés, clous, vis et autres petits objets métalliques.** Le court-circuitage des bornes de batterie peut causer des brûlures ou un incendie.
18. **Dans des conditions d'utilisation excessives, le liquide peut être éjecté de la batterie ; évitez tout contact. En cas de contact accidentel, rincez avec de l'eau. Si le liquide pénètre dans vos yeux, consultez également un médecin.** Le liquide éjecté de la batterie peut causer de l'irritation ou des brûlures.

## CONSERVEZ CES INSTRUCTIONS.

Cet appareil est conçu pour un usage commercial.

## RÈGLES DE SÉCURITÉ SUPPLÉMENTAIRES

1. **Lisez attentivement ce mode d'emploi et le mode d'emploi du chargeur avant d'utiliser l'appareil.**
2. **N'utilisez pas l'appareil pour aspirer les matières suivantes :**
  - Des matières chaudes comme les cigarettes allumées ou la poussière d'étincelles/de métal provoquée par le meulage/la coupe de métal
  - Des matières inflammables comme l'essence, le solvant, la benzine, le kérosène ou la peinture
  - Des matières explosives comme la nitroglycérine
  - Des matières inflammables comme l'aluminium, le zinc, le magnésium, le titane, le phosphore ou le cellulose
  - Des saletés humides, de l'eau, de l'huile, etc.
  - Des objets durs ayant des bords coupants comme les copeaux de bois, des pièces de métal, des pierres, du verre, des clous, des broches ou des lames de rasoir
  - Des poudres qui durcissent comme le ciment ou l'encre en poudre
  - Les poussières conductrices comme celles de métal ou de carbone
  - Les particules fines comme la poussière de béton

Ces applications peuvent causer un incendie, une blessure et/ou des dommages matériels.
3. **Arrêtez immédiatement votre outil dès que vous observez quelque chose d'anormal.**

4. Si vous échappez ou heurtez l'aspirateur, vérifiez soigneusement l'absence de fissures ou dommages avant de l'utiliser à nouveau.
5. Ne l'approchez pas du four ni de toute autre source de chaleur.
6. N'obstruez pas le trou d'admission ou les trous d'évent.
7. Ne jetez pas la batterie au feu même si elle est sérieusement endommagée ou complètement épuisée. La batterie peut exploser au contact du feu.
8. Prenez garde d'échapper ou de heurter la batterie.
9. N'utilisez pas une batterie si elle est endommagée.
10. Les batteries lithium-ion fournies sont soumises aux exigences de la législation sur les marchandises dangereuses.

## Consignes de sécurité importantes pour la batterie

1. Avant d'utiliser la batterie, lisez toutes les instructions et les mises en garde apposées sur (1) le chargeur de batterie, (2) la batterie et (3) le produit utilisant la batterie.
2. Ne démontez pas la batterie.
3. Cessez immédiatement l'utilisation si le temps de fonctionnement devient excessivement court. Il y a risque de surchauffe, de brûlures, voire d'explosion.
4. Si l'électrolyte pénètre dans vos yeux, rincez-les à l'eau claire et consultez immédiatement un médecin. Il y a risque de perte de la vue.

### 5. Ne court-circuitez pas la batterie :

- (1) Ne touchez les bornes avec aucun matériau conducteur.
- (2) Évitez de ranger la batterie dans un conteneur avec d'autres objets métalliques tels que clous, pièces de monnaie, etc.
- (3) Évitez d'exposer la batterie à l'eau ou à la pluie.

Un court-circuit de la batterie pourrait provoquer un fort courant, une surchauffe, parfois des brûlures et même une panne.

6. Ne rangez pas l'outil ou la batterie dans des emplacements où la température peut atteindre ou dépasser 50 °C (122 °F).

11. Suivez la réglementation locale concernant l'élimination de la batterie.
- Des exigences particulières sur l'emballage et l'étiquetage doivent être respectées lors du transport commercial par des tiers, des transitaires, etc.
- Pour préparer la marchandise à expédier, consultez un expert en matériaux dangereux si nécessaire. Respectez aussi les éventuelles réglementations nationales plus détaillées.
- Recouvrez de ruban isolant les contacts exposés, et emballez la batterie de sorte qu'elle ne puisse pas se déplacer à l'intérieur de l'emballage.

## CONSERVEZ CE MODE D'EMPLOI.

**ATTENTION** : Utilisez exclusivement les batteries fabriquées par Makita. Les batteries autres que celles fabriquées par Makita ou les batteries modifiées peuvent exploser et causer un incendie, une blessure ou des dommages. Cela annule aussi la garantie Makita de l'outil et du chargeur Makita.

### Conseils pour maintenir la durée de service maximale de la batterie

1. Rechargez la batterie avant qu'elle ne soit complètement déchargée. Arrêtez toujours l'outil et rechargez la batterie quand vous remarquez que la puissance de l'outil diminue.
2. Ne rechargez jamais une batterie complètement chargée. La surcharge réduit la durée de service de la batterie.

- Chargez la batterie à une température ambiante comprise entre 10 °C et 40 °C (50 °F et 104 °F). Si la batterie est chaude, laissez-la refroidir avant de la charger.
- Chargez la batterie si elle est restée inutilisée pendant une période prolongée (plus de six mois).

## Symboles

Les symboles utilisés pour l'outil sont indiqués ci-dessous.

v	volts
— — —	courant continu

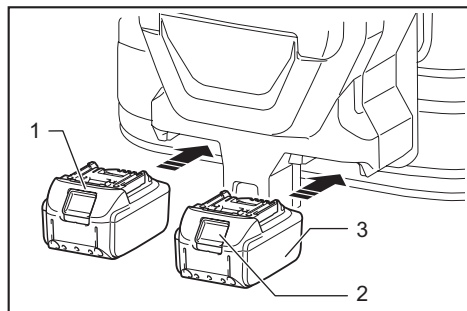
## DESCRIPTION DU FONCTIONNEMENT

**ATTENTION** : Assurez-vous toujours que l'outil est éteint et que sa batterie est retirée avant de l'ajuster ou de vérifier son fonctionnement.

### Installation ou retrait de la batterie

**ATTENTION** : Éteignez toujours l'outil avant d'installer ou de retirer la batterie.

**ATTENTION** : Tenez fermement l'outil et la batterie lors de l'installation ou du retrait de cette dernière. Si l'outil et la batterie ne sont pas tenus fermement, ils risquent de vous glisser des mains et de subir des dommages, ou encore de vous blesser.



► 1. Voyant rouge 2. Bouton 3. Batterie

Pour retirer la batterie, faites-la glisser hors de l'outil tout en glissant le bouton qui se trouve à l'avant.

Pour installer la batterie, alignez sa languette sur la rainure pratiquée dans le boîtier, et glissez la batterie en place. Insérez-la à fond jusqu'à ce que vous entendiez un léger dé clic. Si vous pouvez voir le voyant rouge sur le dessus du bouton, la batterie n'est pas complètement verrouillée.

**ATTENTION** : Installez toujours la batterie à fond jusqu'à ce que vous ne puissiez plus voir le voyant rouge. Autrement elle risque de tomber accidentellement de l'outil et d'entraîner des blessures.

**ATTENTION** : Ne forcez pas sur la batterie pour l'installer. Si la batterie ne glisse pas facilement, c'est qu'elle n'est pas insérée correctement.

## Dispositif de protection de l'outil et de la batterie

L'outil est doté d'un dispositif de protection de l'outil et de la batterie. Ce dispositif coupe automatiquement l'alimentation du moteur pour augmenter la durée de service de l'outil et de la batterie. L'outil s'arrête automatiquement pendant l'utilisation lorsque l'outil ou la batterie est dans l'une des situations suivantes. Dans certaines situations, les voyants s'allument.

### Protection contre la surcharge

Lorsque l'outil est utilisé d'une manière entraînant une consommation anormale de courant, il s'arrête automatiquement sans aucune indication. Dans ce cas, éteignez l'outil et arrêtez l'activité qui entraîne une surcharge de l'outil. Remettez ensuite le contact pour redémarrer.

### Protection contre la surchauffe

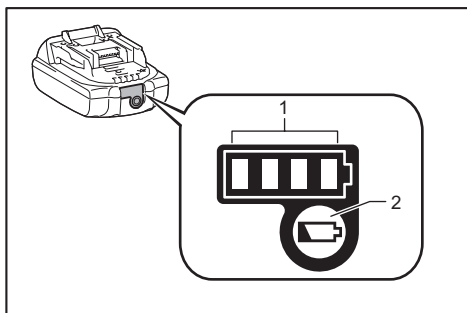
Lorsque l'outil surchauffe, il s'arrête automatiquement. Laissez l'outil refroidir avant de le rallumer.

### Protection contre la décharge excessive

Lorsque la charge de la batterie est basse, l'outil s'arrête automatiquement. Si l'appareil ne fonctionne pas même lorsque vous activez les interrupteurs, retirez les batteries de l'outil et rechargez-les.

## Affichage de la charge restante de la batterie

Uniquement pour les batteries dont le numéro de modèle se termine par « B »



► 1. Témoins indicateurs 2. Bouton de vérification

Appuyez sur le bouton de vérification de la batterie pour afficher la charge restante de la batterie. Les témoins indicateurs s'allument pendant quelques secondes.

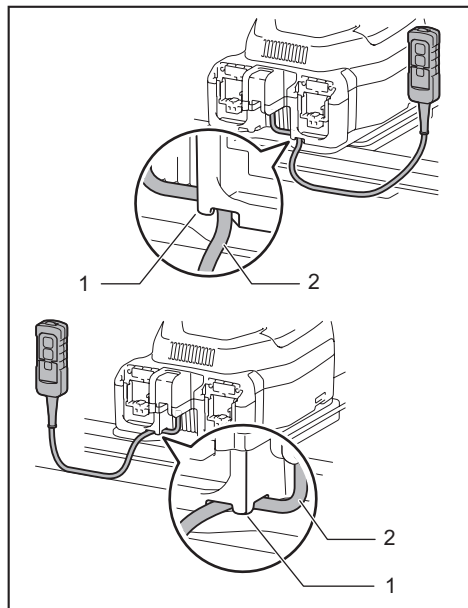


Témoins indicateurs			Charge restante
Allumé	Éteint	Clignotant	
■	□	◻	75 % à 100 %
■	■	■	50 % à 75 %
■	■	□	25 % à 50 %
■	□	□	0 % à 25 %
◻	◻	◻	Chargez la batterie.
■	■	□	La batterie a peut-être mal fonctionné.
□	□	■	

**NOTE :** Suivant les conditions d'utilisation et la température ambiante, il se peut que l'indication soit légèrement différente de la charge réelle.

## Position du boîtier de commutateurs

Le boîtier de commutateurs peut s'accrocher d'un côté comme de l'autre de la ceinture inférieure. Placez le cordon de sorte que le boîtier de commutateurs se trouve du côté désiré. Pour éviter d'endommager le cordon, faites-le passer dans le crochet tel qu'illustré.

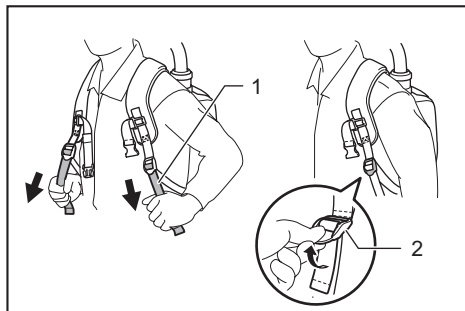


► 1. Crochet 2. Cordon

## Réglage des ceintures

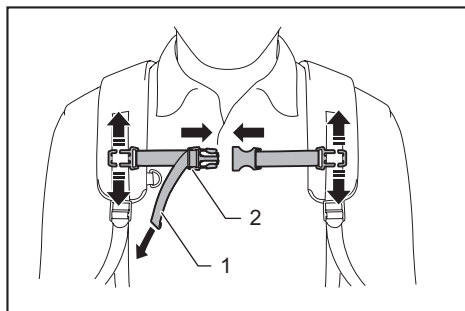
Il est possible de serrer ou desserrer les bretelles et les ceintures supérieure et inférieure. Passez d'abord les bras dans les bretelles, puis serrez les ceintures supérieure et inférieure. Pour serrer, tirez sur l'extrémité de la courroie tel qu'illustré. Pour desserrer, tirez l'extrémité de l'attache vers le haut.

### Bretelles



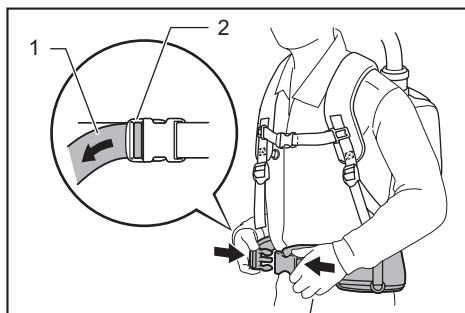
► 1. Courroie 2. Attache

### Ceinture supérieure



► 1. Courroie 2. Attache

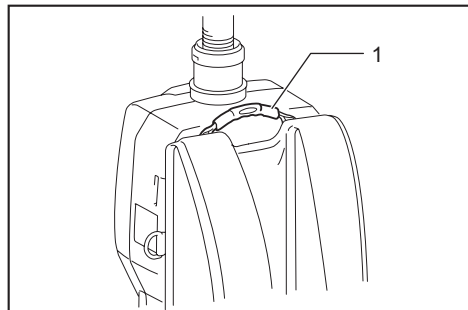
### Ceinture inférieure



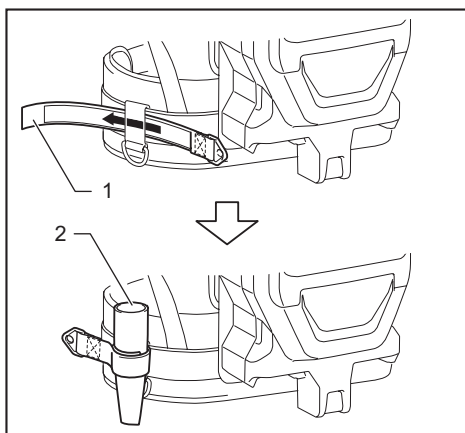
► 1. Courroie 2. Attache

## Crochet de transport

Saisissez toujours le crochet de transport lorsque vous manipulez le corps de l'aspirateur.



► 1. Crochet de transport

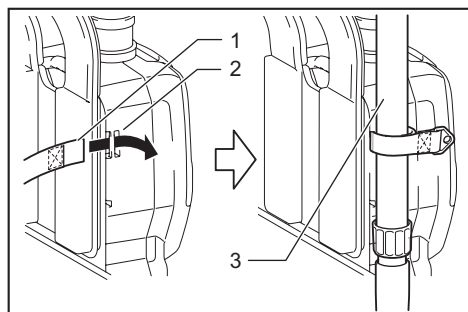


► 1. Bande de retenue du tuyau 2. Buse amovible

## Bande de retenue du tuyau

Il est possible d'utiliser la bande de retenue du tuyau pour retenir la rallonge ou la buse amovible.

Pour fixer la rallonge au corps de l'aspirateur, faites passer la bande de retenue du tuyau à travers la fente du corps de l'aspirateur. Vous pouvez fixer la bande de retenue du tuyau d'un côté comme de l'autre.

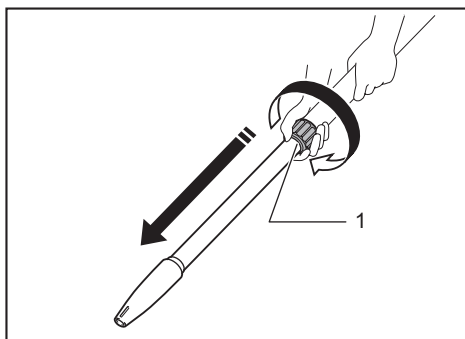


► 1. Bande de retenue du tuyau 2. Fente 3. Rallonge

Pour retenir la buse amovible sur la ceinture inférieure, faites passer la bande de retenue du tuyau à travers la boucle de la ceinture inférieure.

## Rallonge

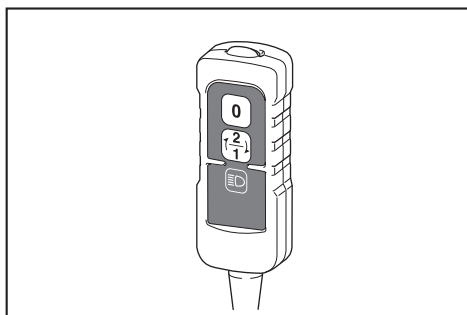
La longueur de la rallonge est réglable. Desserrez la bague de la rallonge et ajustez la longueur de rallonge. Serrez la bague à la longueur désirée.





► 1. Bague

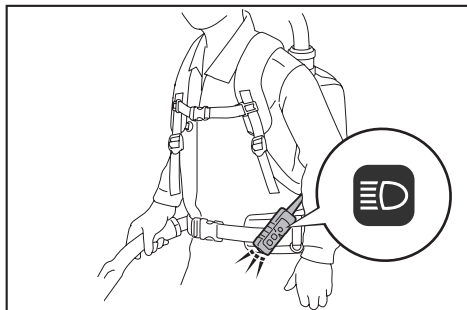
## Interrupteur

Pour commencer le nettoyage, appuyez une fois sur le bouton (2). L'aspirateur démarrera à puissance d'aspiration supérieure (2). Pour réduire la puissance d'aspiration, appuyez encore une fois sur le bouton (2). L'aspirateur fonctionnera à puissance d'aspiration normale (1). Lorsque vous appuyez sur le bouton pendant que l'aspirateur est en marche, il permute entre les puissances d'aspiration supérieure et normale. Pour éteindre l'aspirateur, appuyez sur le bouton (0).



## Lampe à DEL

La tête du boîtier de commutateurs est pourvue d'une lampe à DEL pour faciliter le travail dans les endroits sombres. Appuyez sur le bouton  pour allumer la lampe. Pour l'éteindre, appuyez encore une fois sur le bouton .



**ATTENTION** : Ne regardez pas directement la lumière ou la source de lumière. Ne dirigez jamais la lumière vers les yeux d'autres personnes.

**NOTE** : La lampe à DEL s'éteint automatiquement lorsque l'aspirateur reste inutilisé pendant plus de 10 minutes.

**NOTE** : L'aspirateur s'éteint automatiquement et la lampe à DEL clignote lorsque l'aspirateur est surchauffé en raison d'une réduction de la circulation d'air dans la machine causée par l'obstruction du tuyau, de la conduite ou du filtre, ou autres raisons.

## ASSEMBLAGE

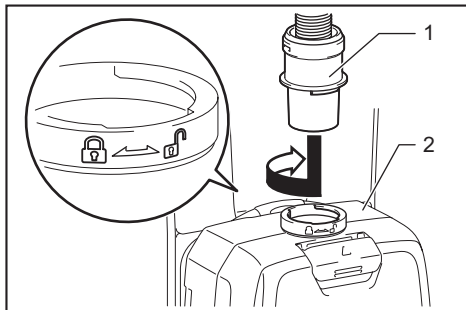
**ATTENTION** : Assurez-vous toujours que l'outil est éteint et que sa batterie est retirée avant d'effectuer tout travail dessus.

### Assemblage du tuyau, de la rallonge et de la buse

Connectez le corps de l'aspirateur au tuyau, à la rallonge et à la buse. Insérez le manchon de tuyau dans le corps de l'aspirateur, et tournez-le dans le sens des

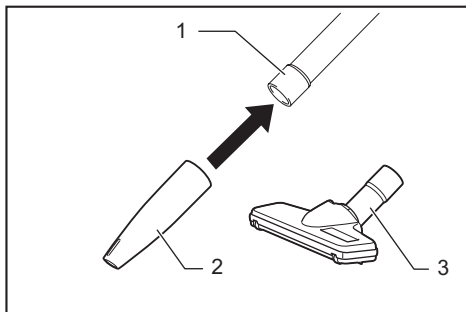
aiguilles d'une montre. Connectez la buse à la rallonge. Enfilez ensuite le corps de l'aspirateur sur vos épaules, puis connectez le tuyau à la rallonge.

### Connexion du corps de l'aspirateur au tuyau



► 1. Manchon de tuyau 2. Corps de l'aspirateur

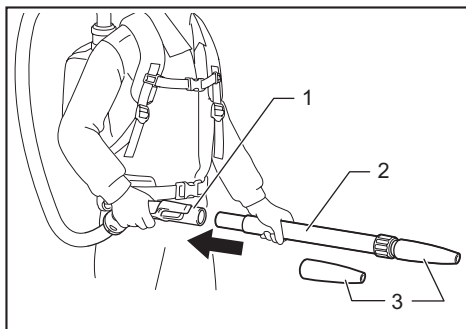
### Connexion de la rallonge à la buse



► 1. Rallonge 2. Buse amovible 3. Buse en T

**NOTE** : La buse amovible peut être fixée directement au tuyau.

### Connexion du tuyau à la rallonge



► 1. Tuyau 2. Rallonge 3. Buse amovible

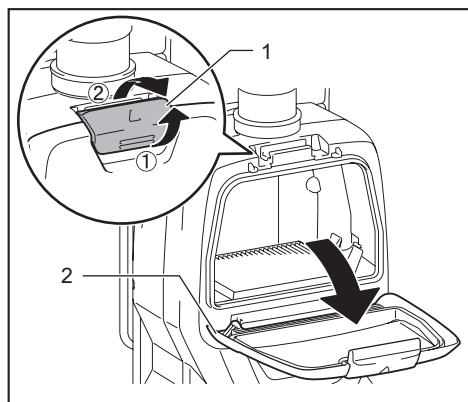
**NOTE** : La buse amovible peut être fixée directement au tuyau.

## Pose du sac filtre

**⚠ ATTENTION :** N'utilisez pas un sac filtre endommagé. Utilisez toujours l'aspirateur avec le sac filtre bien installé. Autrement, les poussières ou particules aspirées peuvent s'échapper de l'aspirateur et causer une maladie respiratoire chez l'utilisateur.

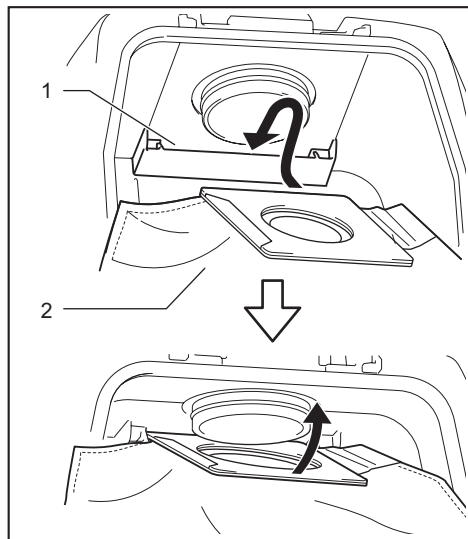
**AVIS :** Lorsque le sac filtre est déjà plein, remplacez-le par un neuf. La puissance d'aspiration diminuera si vous continuez l'utilisation avec le sac filtre plein.

1. Libérez le verrou en soulevant la face inférieure. Enfoncez la partie rainurée pour soulever la face de verrouillage avant. Tirez sur le verrou pour ouvrir le couvercle.



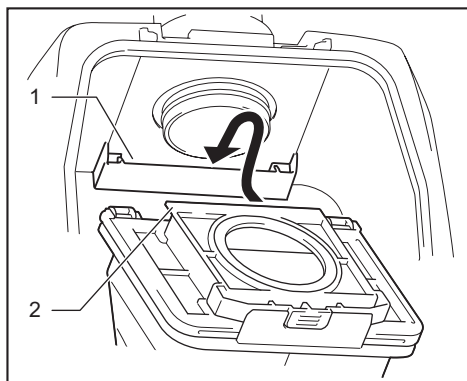
- 1. Crochet 2. Couvercle

2. Insérez le sac filtre dans l'interstice de la face supérieure du compartiment, tel qu'illustré.



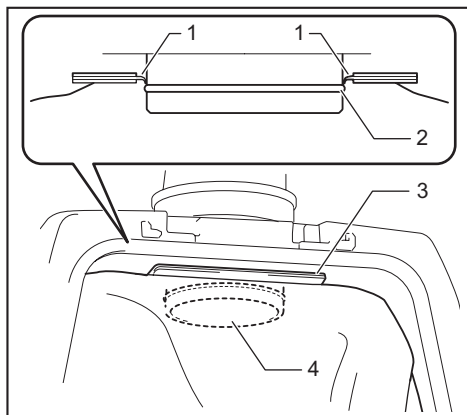
- 1. Interstice 2. Sac filtre / Sac à poussières

Lorsque vous utilisez le sac à poussières (accessoire en option), insérez le bord du sac à poussières dans l'interstice.



- 1. Interstice 2. Bord

3. Alignez le trou du sac filtre sur le manchon de tuyau, et enfoncez complètement la partie en carton. Assurez-vous que la bague en caoutchouc du sac filtre passe par-dessus le bord du manchon de tuyau.



- 1. Bague en caoutchouc du sac filtre 2. Bord du manchon de tuyau 3. Partie en carton du sac filtre 4. Manchon de tuyau

## UTILISATION

**⚠ MISE EN GARDE :** Les utilisateurs doivent être bien informés sur l'utilisation de l'aspirateur.

**⚠ MISE EN GARDE :** Cet aspirateur n'est pas conçu pour l'aspiration des poussières dangereuses.

**⚠ ATTENTION :** Cet aspirateur est conçu uniquement pour l'utilisation à sec.

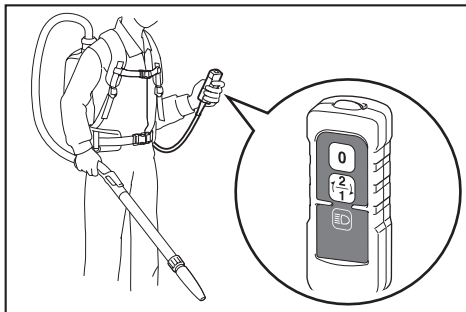
**⚠ ATTENTION :** Cet aspirateur est conçu uniquement pour l'utilisation intérieure.

**⚠ ATTENTION :** Insérez toujours la batterie à fond, jusqu'à ce qu'elle se verrouille en place. Si vous pouvez voir le voyant rouge situé sur le dessus du bouton, la batterie n'est pas complètement verrouillée. Insérez-la à fond, jusqu'à ce que le voyant rouge ne soit pas visible. Dans le cas contraire, elle pourrait tomber accidentellement de l'outil et entraîner des blessures, à vous ou à quelqu'un près de vous.

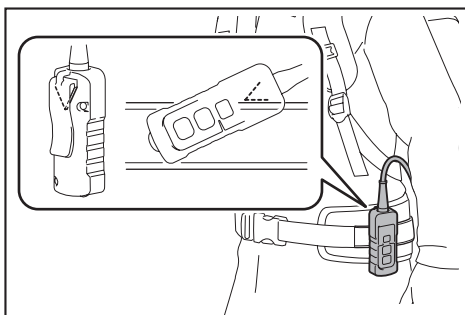
1. Enfilez le corps de l'aspirateur sur vos épaules et serrez les ceintures supérieure et inférieure. Serrez ou desserrez au besoin.



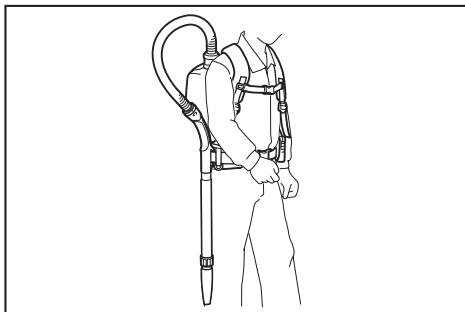
2. Appuyez sur le bouton (2+) pour commencer le nettoyage. Pour réduire la puissance d'aspiration, appuyez encore une fois sur le bouton (2+). Appuyez sur le bouton 0 pour arrêter.



Pendant le nettoyage, accrochez le boîtier de commutateurs à la ceinture inférieure. Le crochet peut être incliné pour éclairer devant.

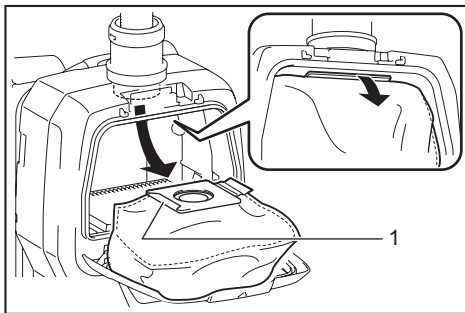


Lorsque vous interrompez le travail, vous pouvez utiliser le crochet du tuyau pour accrocher la rallonge à la ceinture inférieure.



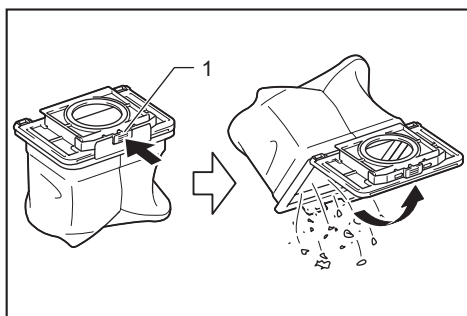
**NOTE :** L'aspirateur s'éteint automatiquement et la lampe à DEL clignote lorsque l'aspirateur est surchauffé en raison d'une réduction de la circulation d'air dans la machine causée par l'obstruction du tuyau, de la conduite ou du filtre, ou autres raisons. Le cas échéant, annulez la cause du problème et laissez refroidir l'aspirateur avant de le redémarrer.

3. Remplacez le sac filtre quand il est plein. Ouvrez le couvercle et retirez le sac filtre. Tirez sur la bande à côté de l'ouverture pour fermer le sac filtre, et jetez tout le sac filtre.



► 1. Bande

Si vous utilisez un sac à poussières (accessoire en option), retirez le sac à poussières et jetez les poussières en libérant le verrou.



► 1. Verrou

**AVIS :** Vérifiez régulièrement le sac filtre pour voir s'il est plein. La puissance d'aspiration diminuera si vous continuez l'utilisation avec le sac filtre plein.

**AVIS :** N'utilisez pas un sac filtre usé. Le sac filtre est conçu pour une seule utilisation. Pour une utilisation répétée, utilisez un sac à poussières (accessoire en option).

## ENTRETIEN

**⚠ ATTENTION :** Assurez-vous toujours que l'outil est hors tension et que la batterie est retirée avant d'y effectuer tout travail d'inspection ou d'entretien.

**AVIS :** N'utilisez jamais d'essence, de benzène, de solvant, d'alcool ou autres produits similaires. Une décoloration, une déformation ou la formation de fissures peuvent en découler.

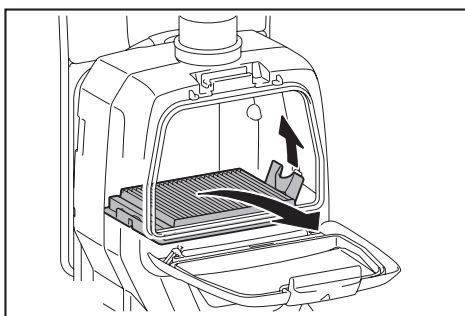
### Nettoyage du filtre

**⚠ ATTENTION :** N'utilisez pas l'aspirateur sans un filtre, et ne poursuivez pas l'utilisation avec un filtre sale ou endommagé. Les poussières ou particules aspirées peuvent s'échapper de l'aspirateur et causer une maladie respiratoire chez l'utilisateur.

**AVIS :** Pour maintenir la puissance d'aspiration optimale et la propreté des échappements, nettoyez le filtre régulièrement. Si vous n'obtenez pas une puissance d'aspiration suffisante même après le nettoyage, remplacez le filtre par un neuf.

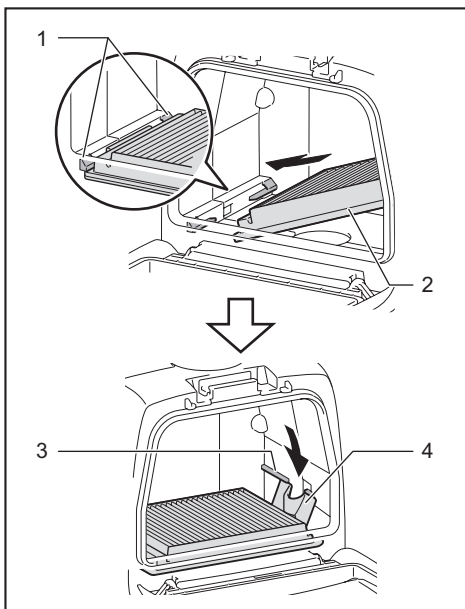
**AVIS :** Pour éviter d'endommager le filtre, ne le nettoyez pas avec un pulvérisateur à air et/ou un appareil de lavage à haute pression.

1. Ouvrez le couvercle et retirez le sac filtre. Libérez le crochet du filtre et retirez le filtre du corps de l'aspirateur.



2. Tapez sur le filtre pour en retirer les poussières. Le filtre est lavable à l'eau. Rincez le filtre tous les mois ou tous les deux mois pour en retirer les poussières et particules. Ensuite, laissez sécher le filtre complètement dans un emplacement à l'ombre et bien aéré pour prévenir les odeurs désagréables ou les dysfonctionnements.

3. Pour installer le filtre, insérez le côté sans rabat dans le support, puis poussez le filtre vers le bas jusqu'à ce que le rabat soit fixé par la nervure.

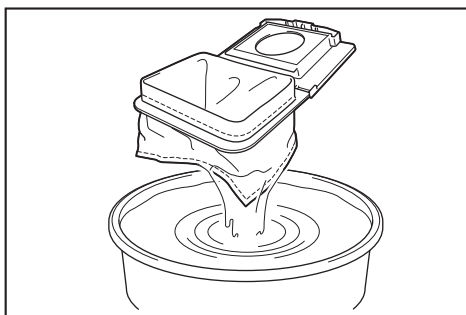


► 1. Support 2. Filtre 3. Nervure 4. Rabat

### Nettoyage du sac à poussières

Nettoyez régulièrement le sac à poussières avec du savon et de l'eau. Retournez le sac à poussières sur lui-même, et retirez les poussières qui y sont collées. Lavez légèrement à la main et rincez abondamment avec de l'eau. Laissez sécher complètement avant d'installer sur l'aspirateur.

## GARANTIE LIMITÉE D'UN AN DE MAKITA



**AVIS :** Un sac à poussières mouillé affecte la capacité d'aspiration et réduit la durée de service du moteur.

Pour maintenir la SÉCURITÉ et la FIABILITÉ du produit, les réparations et tout autre travail d'entretien ou de réglage doivent être effectués dans un centre de service après-vente autorisé ou une usine Makita, exclusivement avec des pièces de rechange Makita.

## ACCESSOIRES EN OPTION

**⚠ ATTENTION :** Ces accessoires ou pièces complémentaires sont recommandés pour l'utilisation avec l'outil Makita spécifié dans ce manuel. L'utilisation de tout autre accessoire ou pièce complémentaire peut comporter un risque de blessure. N'utilisez les accessoires ou pièces complémentaires qu'aux fins auxquelles ils ont été conçus.

Si vous désirez obtenir plus de détails sur ces accessoires, veuillez contacter le centre de service après-vente Makita le plus près.

- Tuyau flexible
- Rallonge
- Buse amovible
- Buse en T
- Buse à tapis
- Brosse à épousseter
- Brosse ronde
- Sac filtre
- Sac à poussières
- Filtre
- Chargeur et batterie authentiques Makita

**NOTE :** Certains éléments de la liste peuvent être inclus avec l'outil comme accessoires standards. Ils peuvent varier suivant les pays.

### Politique de garantie

Tous les outils Makita sont soigneusement inspectés et mis à l'essai avant de quitter l'usine. Ils sont garantis contre les vices de fabrication et de matériau pour une période d'UN AN suivant la date de l'achat original. Si un problème survient pendant cette période d'un an, retournez l'outil COMPLET, fret payé d'avance, à une usine ou un centre de service après-vente autorisé Makita. S'il ressort de l'inspection que le problème est dû à un vice de fabrication ou de matériau, Makita réparera (ou remplacera, à son gré) l'outil gratuitement. Cette garantie ne s'applique pas dans les cas où :

- des réparations ont été effectuées ou tentées par un tiers;
- des réparations sont nécessaires en raison de l'usure normale;
- l'outil a été malmené, mal utilisé ou non adéquatement entretenu;
- l'outil a subi des modifications.

MAKITA NE SERA EN AUCUN CAS RESPONSABLE DE TOUS DOMMAGES INDIRECTS, ACCESSOIRES OU CONSÉCUTIFS DE LA VENTE OU DE L'UTILISATION DU PRODUIT. CET AVIS DE NON-RESPONSABILITÉ S'APPLIQUE PENDANT ET APRÈS LA PÉRIODE COUVERTE PAR CETTE GARANTIE.

MAKITA DÉCLINE TOUTE RESPONSABILITÉ QUANT À TOUTES GARANTIES IMPLICITES, Y COMPRIS LES GARANTIES DE « QUALITÉ MARCHANDE » OU D'« ADAPTATION À UN USAGE PARTICULIER » APRÈS LA PÉRIODE DE GARANTIE D'UN AN.

Cette garantie vous donne des droits légaux spécifiques, et vous pouvez également avoir d'autres droits qui varient d'une province à l'autre. Certaines provinces n'autorisent pas l'exclusion ou la restriction des dommages accessoires ou consécutifs, il se peut que la restriction ou l'exclusion ci-dessus ne s'applique pas à vous. Certaines provinces n'autorisent pas de restriction quant à la durée des garanties implicites, il se peut que la restriction ci-dessus ne s'applique pas à vous.

## ESPECIFICACIONES

<b>Modelo:</b>		<b>XCV05</b>	
Capacidad	Bolsa del filtro	2,0 L (0,53 gal.)	
	Bolsa recolectora de polvo	1,5 L (0,40 gal.)	
Volumen de aire máximo		1,5 m <sup>3</sup> /min (53 cu.ft./min)	
Dimensiones (La x An x Al) (sin incluir el arnés)		185 mm x 230 mm x 373 mm (7-1/4" x 9" x 14-3/4")	
Tensión nominal		36 V c.c.	
Batería estándar		BL1815N, BL1820, BL1820B	BL1830, BL1830B, BL1840, BL1840B, BL1850, BL1850B, BL1860B
Peso neto		3,8 kg (8,5 lbs)	4,3 kg (9,6 lbs)

- Debido a nuestro continuo programa de investigación y desarrollo, las especificaciones aquí incluidas están sujetas a cambio sin previo aviso.
- Las especificaciones y el cartucho de batería pueden variar de país a país.
- Peso de acuerdo al procedimiento de EPTA-01/2003 incluyendo el cartucho de batería

## ADVERTENCIAS DE SEGURIDAD

## INSTRUCCIONES IMPORTANTES DE SEGURIDAD

Al usar cualquier aparato eléctrico, siempre deben seguirse las precauciones básicas, incluyendo las siguientes:

## GUARDE ESTAS INSTRUCCIONES.

## ADVERTENCIA

Para reducir el riesgo de incendio, descarga eléctrica o lesión:

1. No deje el aparato con la batería puesta. Retire la batería del aparato cuando no lo vaya a utilizar y antes de dar servicio de mantenimiento.
2. No lo exponga a la lluvia. Almacénelo en interiores.
3. No permita que sea utilizado como un juguete. Supervise de cerca cuando lo utilice cerca de niños.
4. Utilícelo solamente como se describe en este manual. Sólo use aditamentos recomendados por el fabricante.
5. No lo utilice con una batería dañada. Si el aparato no está funcionando como debiera, se ha dejado caer, se ha dañado, se ha dejado a la intemperie o ha caído sobre agua, llévelo a un centro de servicio.
6. No manipule el aparato con las manos mojadas.
7. No introduzca ningún objeto en las aberturas. No lo utilice con ninguna abertura bloqueada; manténgalo libre de polvo, pelusa, cabello y cualquier objeto que pueda reducir el flujo de aire.
8. Mantenga el cabello, la ropa holgada, los dedos y todas las partes del cuerpo lejos de las aberturas y piezas móviles.
9. Apague todos los controles antes de retirar el cartucho de batería.
10. Tenga especial cuidado cuando limpie en escaleras.



# REGLAS DE SEGURIDAD ADICIONALES

11. **No lo utilice para recoger líquidos inflamables o combustibles, tal como gasolina, ni en áreas donde puedan estar presentes.**
12. **Utilice solamente el cargador suministrado por el fabricante para recargar.**
13. **No recoja nada que se esté quemando o desprenda humo, tal como cigarros, fósforos o cenizas calientes.**
14. **No lo utilice sin la bolsa recolectora de polvo colocada en su lugar.**
15. **No cargue la batería en exteriores.**
16. **Use las herramientas eléctricas solamente con los paquetes de baterías designados específicamente.** El uso de otros paquetes de baterías puede generar riesgo de lesiones e incendio.
17. **Cuando no se esté usando el paquete de baterías, guárdelo lejos de otros objetos metálicos tales como sujetapapeles (clips), monedas, llaves, clavos, tornillos u otros objetos metálicos pequeños que puedan crear una conexión entre una terminal y otra.** Ocasionar un cortocircuito en las terminales de la batería puede provocar quemaduras o incendios.
18. **En condiciones de mal uso, podría escapar líquido de la batería; evite tocarlo. Si lo toca accidentalmente, enjuague con agua. Si el líquido entra en contacto con los ojos, solicite adicionalmente atención médica.** El líquido expulsado de la batería puede causar irritación o quemaduras.

## GUARDE ESTAS INSTRUCCIONES.

Este aparato está diseñado para uso comercial.

1. **Lea cuidadosamente este manual de instrucciones y el manual de instrucciones del cargador antes de usar el aparato.**
2. **No recoja los siguientes materiales:**
  - **Materiales calientes tales como cigarros encendidos o chispas/polvo de metal generados por el esmerilado/corte de metal**
  - **Materiales inflamables tales como gasolina, disolventes, bencina, queroseno o pintura**
  - **Materiales explosivos tal como nitroglicerina**
  - **Materiales combustibles tales como aluminio, zinc, magnesio, titanio, fósforo o celuloide**
  - **Tierra mojada, agua, aceite o similares**
  - **Piezas duras con bordes filosos tales como astillas de madera, metales, piedras, vidrios, clavos, alfileres o navajas**
  - **Polvos que se cuajan como cemento o tónor**
  - **Polvo que pueda conducir la electricidad como el polvo de metal o carbón**
  - **Partículas diminutas como las del polvo de concreto****Tal acción podría ocasionar un incendio, lesiones y/o daños materiales.**
3. **Detenga la operación de inmediato si nota algo anormal.**
4. **Si deja caer o golpea la aspiradora, verifique cuidadosamente si hay grietas o daños antes de la operación.**
5. **No la acerque a estufas ni a otras fuentes de calor.**
6. **No obstruya el orificio de flujo de entrada ni los orificios de ventilación.**

# Instrucciones importantes de seguridad para el cartucho de batería

1. Antes de utilizar el cartucho de batería, lea todas las instrucciones e indicaciones de precaución en el (1) el cargador de batería, (2) la batería, y (3) el producto con el que se utiliza la batería.
2. No desarme el cartucho de batería.
3. Si el tiempo de operación se ha acortado en exceso, deje de operar de inmediato. Podría correrse el riesgo de sobrecalentamiento, posibles quemaduras e incluso explosión.
4. En caso de que ingresen electrolitos en sus ojos, enjuáguelos bien con agua limpia y consulte de inmediato a un médico. Esto podría ocasionar pérdida de visión.
5. Evite cortocircuitar el cartucho de batería:
  - (1) No toque las terminales con ningún material conductor.
  - (2) Evite guardar el cartucho de batería en un cajón junto con otros objetos metálicos, tales como clavos, monedas, etc.
  - (3) No exponga el cartucho de batería al agua o la lluvia.

Un cortocircuito en la batería puede causar un flujo grande de corriente, sobrecalentamiento, posibles quemaduras e incluso una descompostura.
6. No guarde la herramienta ni el cartucho de batería en lugares donde la temperatura pueda alcanzar o exceder los 50°C (122°F).
7. Nunca incinere el cartucho de batería incluso en el caso de que esté dañado seriamente o ya no sirva en absoluto. El cartucho de batería puede explotar si se tira al fuego.

8. Tenga cuidado de no dejar caer ni golpear la batería.
9. No use una batería dañada.
10. Las baterías de ión de litio están sujetas a los requisitos reglamentarios en materia de bienes peligrosos.

Para el transporte comercial, por ej., mediante terceros o agentes de transporte, se deben tomar en cuenta los requisitos especiales relativos al empaque y el etiquetado. Para efectuar los preparativos del artículo que se va a enviar, se requiere consultar a un experto en materiales peligrosos. Si es posible, consulte además otras regulaciones nacionales más detalladas. Pegue o cubra con cinta adhesiva los contactos abiertos y empaque la batería de manera que ésta no pueda moverse dentro del paquete.
11. Siga las regulaciones locales relacionadas al desecho de las baterías.

## GUARDE ESTAS INSTRUCCIONES.

**⚠PRECAUCIÓN:** Utilice únicamente baterías originales de Makita. El uso de baterías no originales de Makita, o de baterías alteradas, puede ocasionar que las baterías exploten causando un incendio, lesiones personales y daños. Asimismo, esto invalidará la garantía de Makita para la herramienta y el cargador Makita.

## Consejos para alargar al máximo la vida útil de la batería

1. Cargue el cartucho de batería antes de que se descargue completamente. Pare siempre la operación y cargue el cartucho de batería cuando note menos potencia en la herramienta.
2. No cargue nunca un cartucho de batería que esté completamente cargado. La sobrecarga acortará la vida de servicio de la batería.
3. Cargue el cartucho de batería a una temperatura ambiente de 10 °C - 40 °C (50 °F - 104 °F). Si un cartucho de batería está caliente, déjelo enfriar antes de cargarlo.
4. Cargue el cartucho de batería si no va a utilizarlo durante un período prolongado (más de seis meses).

## Símbolos

A continuación se muestran los símbolos utilizados para la herramienta.

v	volts o voltios
— — —	corriente directa o continua

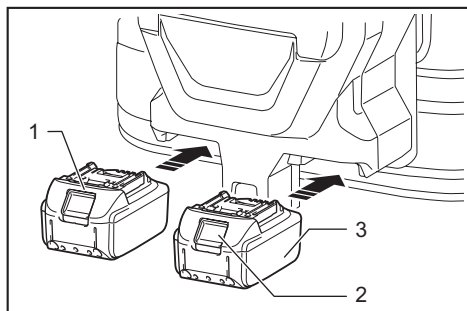
## DESCRIPCIÓN DEL FUNCIONAMIENTO

**⚠PRECAUCIÓN:** Asegúrese siempre de que la herramienta esté apagada y el cartucho de batería haya sido extraído antes de realizar cualquier ajuste o comprobación en la herramienta.

### Instalación o extracción del cartucho de batería

**⚠PRECAUCIÓN:** Apague siempre la herramienta antes de colocar o quitar el cartucho de batería.

**⚠PRECAUCIÓN:** Sujete la herramienta y el cartucho de la batería con firmeza al colocar o quitar el cartucho de batería. Si no se sujeta con firmeza la herramienta y el cartucho de batería, puede ocasionar que se resbalen de sus manos causando daños a la herramienta y al cartucho de batería, así como lesiones a la persona.



► 1. Indicador rojo 2. Botón 3. Cartucho de batería

Para quitar el cartucho de batería, deslícelo de la herramienta mientras desliza el botón sobre la parte delantera del cartucho.

Para colocar el cartucho de batería, alinee la lengüeta sobre el cartucho de batería con la ranura en la carcasa y deslice en su lugar. Inserte por completo hasta que se fije en su lugar con un pequeño clic. Si puede ver el indicador rojo del lado superior del botón, esto indica que no ha quedado fijo por completo.

**⚠PRECAUCIÓN:** Introduzca siempre completamente el cartucho de batería hasta que el indicador rojo no pueda verse. Si no, podría accidentalmente salirse de la herramienta y caer al suelo causando una lesión a usted o alguien a su alrededor.

**⚠PRECAUCIÓN:** No instale el cartucho de batería a la fuerza. Si el cartucho no se desliza al interior fácilmente, se debe a que no está siendo insertado correctamente.

### Sistema de protección para la herramienta/batería

La herramienta está equipada con un sistema de protección para la herramienta/batería. Este sistema corta en forma automática el suministro de energía al motor para prolongar la vida útil de la herramienta y la batería. La herramienta se detendrá automáticamente durante la operación si la herramienta o la batería se someten a una de las siguientes condiciones. En algunas condiciones, los indicadores pueden encenderse.

#### Protección contra sobrecarga

Cuando la herramienta se está utilizando de manera que causa que consuma una cantidad de corriente inusualmente alta, la herramienta se detiene automáticamente sin que haya indicación alguna. En este caso, apague la herramienta y detenga la aplicación que causó que la herramienta se sobrecargara. Luego encienda la herramienta para reiniciarla.

#### Protección contra sobrecalentamiento

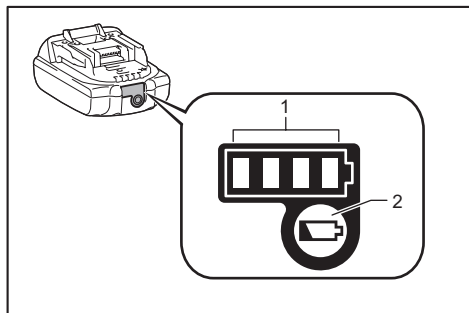
Cuando la herramienta se sobrecalienta, ésta se detiene automáticamente. Espere a que la herramienta se enfríe antes de volver a encenderla.

#### Protección contra sobredescarga

Cuando la capacidad de la batería se reduce, la herramienta se detiene automáticamente. Si el producto no funciona incluso cuando los interruptores están siendo operados, retire las baterías de la herramienta y cárguelas.

## Indicación de la capacidad restante de la batería

Sólo para cartuchos de batería con una "B" al final del número de modelo



► 1. Luces indicadoras 2. Botón de verificación

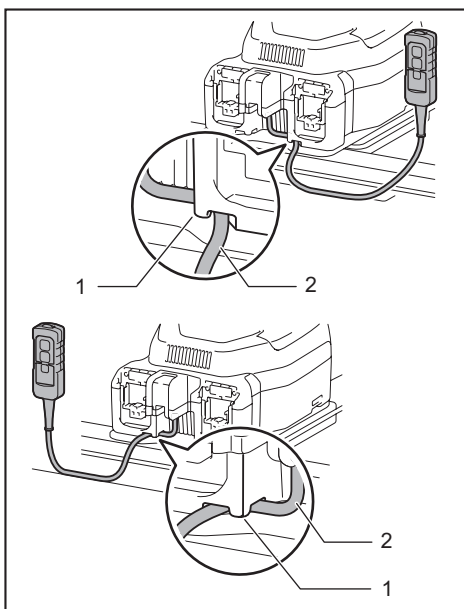
Oprima el botón de verificación en el cartucho de la batería para que indique la capacidad restante de la batería. Las luces indicadoras se iluminarán por algunos segundos.

Luces indicadoras			Capacidad restante
Iluminadas	Apagadas	Parpadeando	
■	□	▧	75% a 100%
■ ■ ■ ■			
■ ■ ■ □			50% a 75%
■ ■ □ □			25% a 50%
■ □ □ □			0% a 25%
▧ □ □ □			Cargar la batería.
■ ■ □ □			La batería pudo haber funcionado mal.
□ □ ■ ■			

**NOTA:** Dependiendo de las condiciones de uso y la temperatura ambiente, la indicación podrá diferir ligeramente de la capacidad real.

## Posición de la caja del interruptor

La caja del interruptor puede engancharse en ambos lados de la correa inferior. Coloque el cable de manera que la caja del interruptor quede del lado que desee. Para evitar daños al cable, haga que éste pase a través del gancho tal como se muestra en la ilustración.

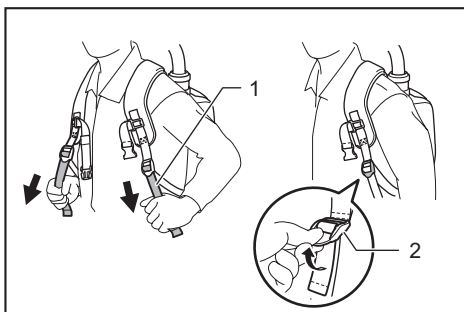


► 1. Gancho 2. Cable

## Ajuste de las correas

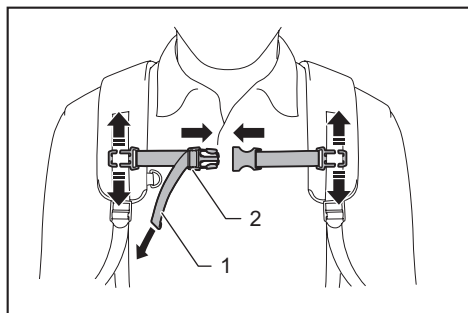
Lo apretado de las correas para hombro y las correas superior e inferior puede ser ajustado. Introduzca sus brazos a través de las correas para hombro primero y luego fije las correas superior e inferior. Para apretar, jale el extremo de la correa tal como se ilustra. Para aflojar, jale el extremo del sujetador.

### Correas para hombro



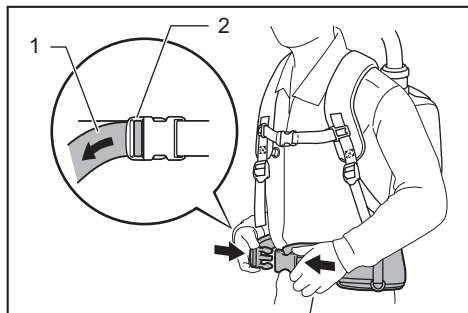
► 1. Correa 2. Sujetador

## Correa superior



- 1. Correa 2. Sujetador

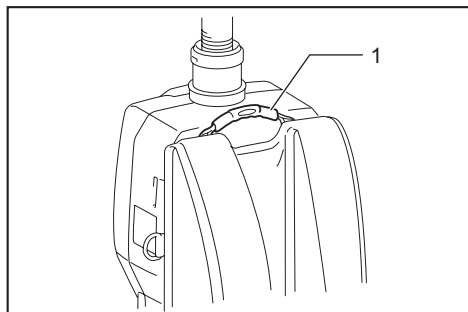
## Correa inferior



- 1. Correa 2. Sujetador

## Gancho de sujeción

Siempre agarre el gancho de sujeción cuando manipule el cuerpo de la aspiradora.

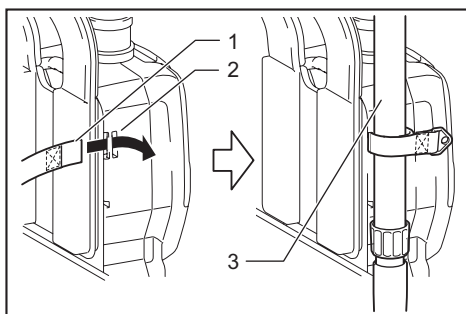


- 1. Gancho de sujeción

## Abrazadera de la manguera

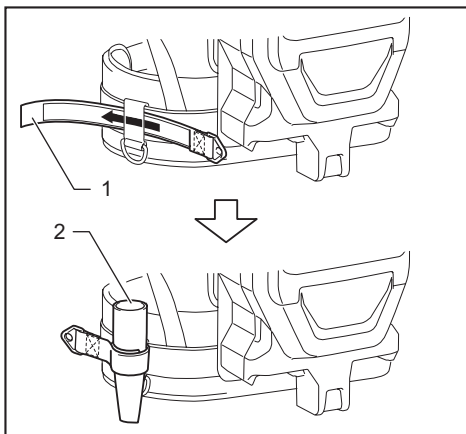
La abrazadera de la manguera puede utilizarse para sujetar el tubo o la boquilla libre.

Para fijar el tubo al cuerpo de la aspiradora, pase la abrazadera de la manguera a través de la ranura en el cuerpo. Usted puede fijar la abrazadera de la manguera en cualquiera de los lados.



- 1. Abrazadera de la manguera 2. Ranura 3. Tubo de extensión

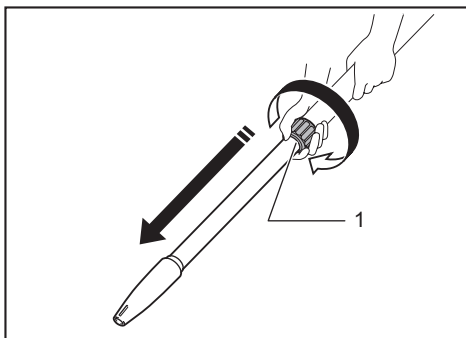
Para sujetar la boquilla amplia en la correa inferior, pase la abrazadera de la manguera a través del bucle en la correa inferior.



- 1. Abrazadera de la manguera 2. Boquilla amplia

## Tubo de extensión

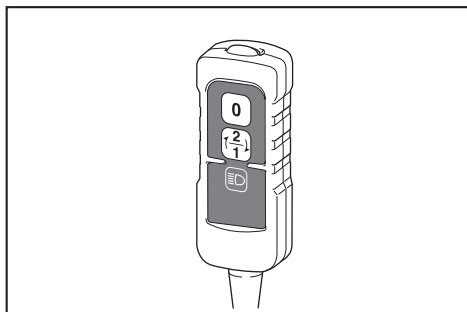
La longitud del tubo puede ser ajustada. Afloje el anillo en el tubo y ajuste la longitud del tubo. Apriete el anillo en la longitud deseada.



- 1. Anillo

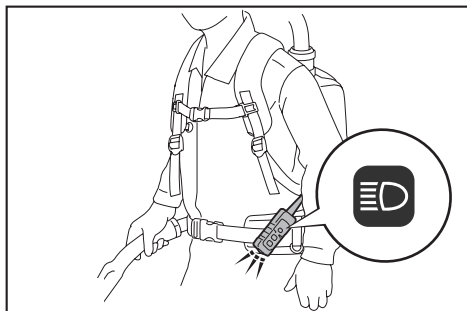
## Accionamiento del interruptor

Para comenzar la limpieza, oprima el botón una vez. La aspiradora se pondrá en marcha con la potencia de succión más alta (2). Si desea reducir la potencia de succión, oprima el botón una vez más. La aspiradora funcionará con la potencia de succión normal (1). Si oprime el botón mientras la aspiradora está funcionando, la potencia de succión cambiará entre la potencia de succión más alta y la normal. Para apagar la aspiradora, oprima el botón .



## Luz LED

La luz LED se encuentra instalada en la cabeza de la caja del interruptor para facilitar las operaciones en lugares oscuros. Oprima el botón para encender la luz. Para apagarla, oprima el botón nuevamente.



**PRECAUCIÓN:** No mire a la luz o a la fuente de luz directamente. Nunca apunte la luz a los ojos de otras personas.

**NOTA:** La luz LED se apaga automáticamente cuando la aspiradora no se utiliza durante más de 10 minutos.

**NOTA:** La aspiradora se apagará automáticamente y la luz LED parpadeará si la aspiradora se sobrecalienta debido a una reducción del flujo de aire hacia la máquina por alguna obstrucción en la manguera, el tubo o el filtro, o alguna otra razón.

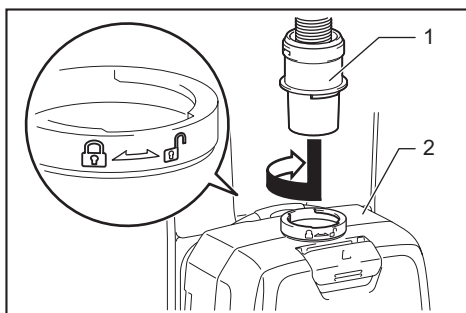
## MONTAJE

**PRECAUCIÓN:** Asegúrese siempre de que la herramienta esté apagada y el cartucho de batería haya sido extraído antes de realizar cualquier trabajo en la misma.

## Ensamble de la manguera/tubo/boquilla

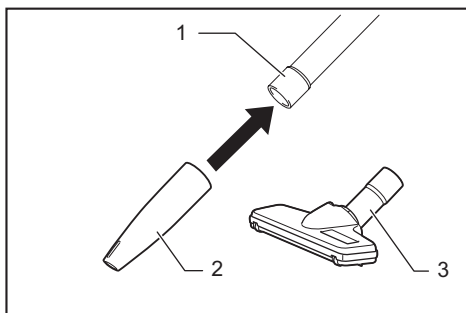
Conecte el cuerpo de la aspiradora con la manguera, el tubo y la boquilla. Inserte la boca de la manguera en el cuerpo de la aspiradora y gírela en el sentido de las manecillas del reloj. Conecte la boquilla al tubo de extensión. Después de eso, cargue en su hombro el cuerpo de la aspiradora y luego conecte la manguera con el tubo de extensión.

### Conexión del cuerpo de la aspiradora y la manguera



► 1. Boca de la manguera 2. Cuerpo de la aspiradora

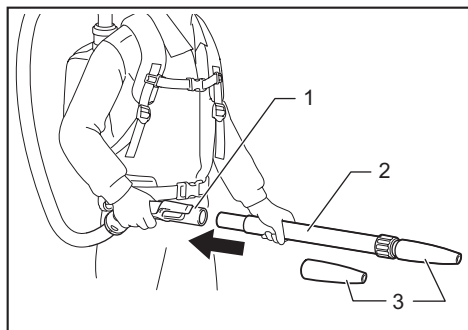
### Conexión del tubo de extensión y la boquilla



► 1. Tubo de extensión 2. Boquilla amplia 3. Boquilla T

**NOTA:** La boquilla amplia puede fijarse directamente a la manguera.

## Conexión de la manguera y el tubo de extensión



- 1. Manguera 2. Tubo de extensión 3. Boquilla amplia

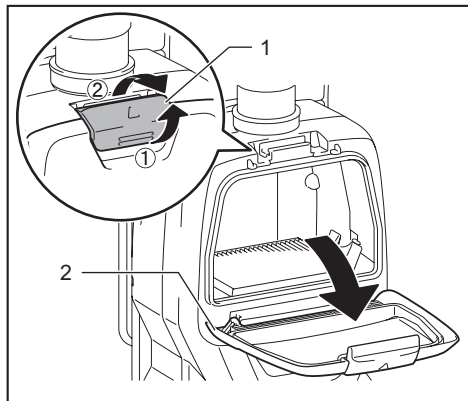
**NOTA:** La boquilla amplia puede fijarse directamente a la manguera.

## Instalación de la bolsa del filtro

**⚠PRECAUCIÓN:** No use una bolsa del filtro dañada. Siempre utilice la aspiradora con la bolsa del filtro instalada correctamente. De lo contrario, el polvo o las partículas aspiradas podrían escapar de la aspiradora y causar una enfermedad respiratoria al operador.

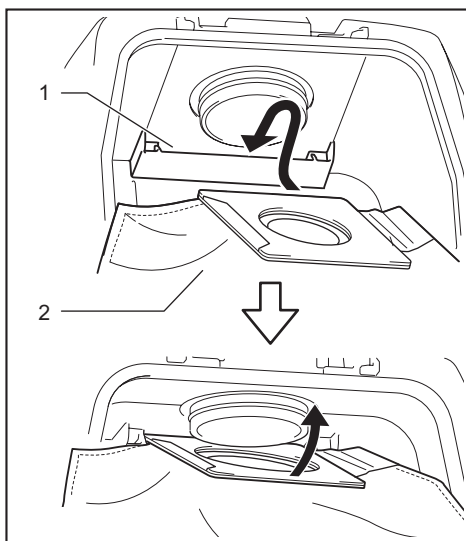
**AVISO:** Cuando la bolsa del filtro ya esté llena, reemplácela con una nueva. El uso continuo de la bolsa del filtro ocasionará una reducción de la potencia de succión.

1. Desbloquee la alidilla levantando la parte inferior. Presione el área ranurada para levantar la parte delantera de la alidilla. Jale la alidilla para abrir la tapa.



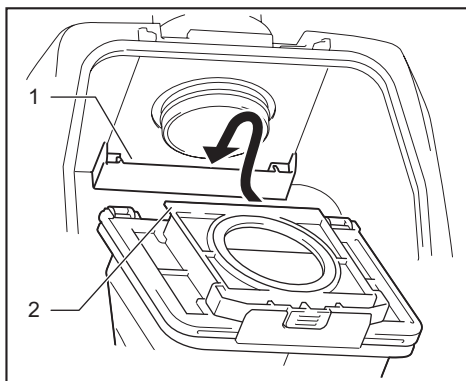
- 1. Gancho 2. Tapa

2. Inserte la bolsa del filtro en la hendidura en la parte superior del compartimento tal como se ilustra.



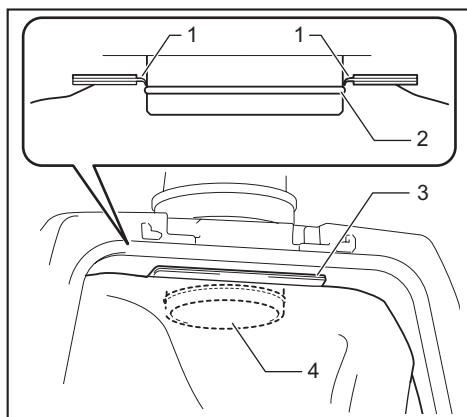
- 1. Hendidura 2. Bolsa del filtro / bolsa recolectora de polvo

Cuando utilice la bolsa recolectora de polvo (accesorio opcional), inserte el reborde de la bolsa recolectora de polvo en la hendidura.



- 1. Hendidura 2. Reborde

3. Alinee el orificio de la bolsa del filtro con la boca de la manguera y empuje la parte de cartón hasta el tope. Asegúrese de que la arandela de goma en la bolsa del filtro esté por encima del reborde en la boca de la manguera.



- ▶ 1. Arandela de goma en la bolsa del filtro
- 2. Reborde en la boca de la manguera 3. Parte de cartón de la bolsa del filtro 4. Boca de la manguera

## OPERACIÓN

**⚠ADVERTENCIA:** Los operadores deberán recibir las instrucciones adecuadas sobre el uso de la aspiradora.

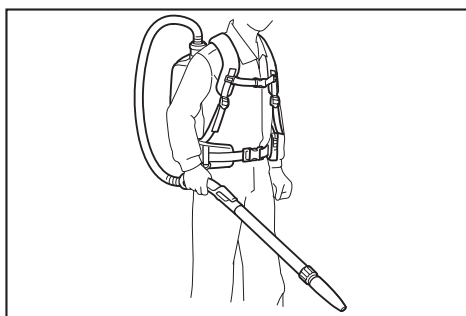
**⚠ADVERTENCIA:** Esta aspiradora no es apropiada para recoger polvo peligroso.

**⚠PRECAUCIÓN:** Esta aspiradora está diseñada exclusivamente para el uso en seco.

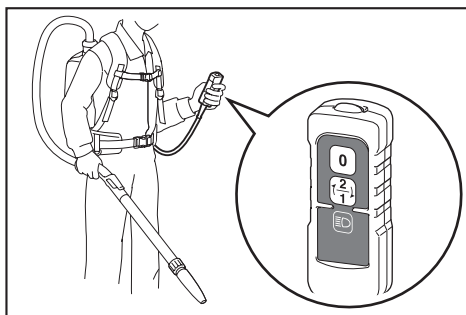
**⚠PRECAUCIÓN:** Esta aspiradora debe utilizarse en interiores únicamente.

**⚠PRECAUCIÓN:** Siempre inserte completamente el cartucho de batería hasta que quede asegurado en su lugar. Si puede ver el indicador rojo del lado superior del botón, esto indica que no ha quedado completamente asegurado. Insértelo por completo hasta que el indicador rojo no pueda verse. De lo contrario, podría salirse accidentalmente de la herramienta y ocasionarle lesiones a usted o a alguien a su alrededor.

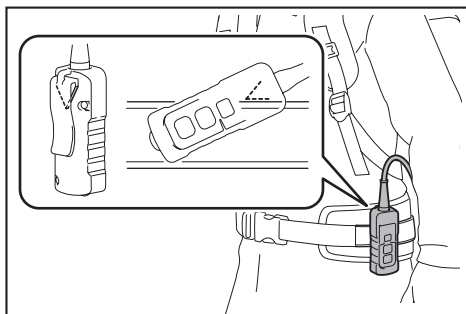
- 1. Cargue en su hombro el cuerpo de la aspiradora y fije las correas superior e inferior. Ajuste lo apretado según sea necesario.



- 2. Oprima el botón  $\left(\frac{2}{1}\right)$  para comenzar a limpiar. Si desea reducir la potencia de succión, oprima el botón  $\left(\frac{2}{1}\right)$  una vez más. Oprima el botón  $\left(\frac{0}{1}\right)$  para parar.

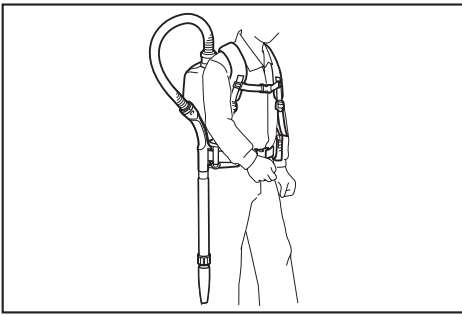


Durante la limpieza, enganche la caja del interruptor en la correa inferior. El gancho se puede inclinar para alumbrar hacia adelante.



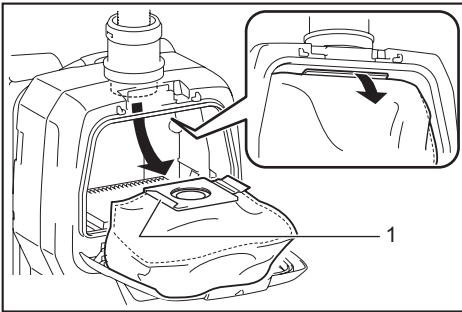
Cuando suspenda la operación, el gancho en la manguera puede utilizarse para colgar el tubo en la correa inferior.





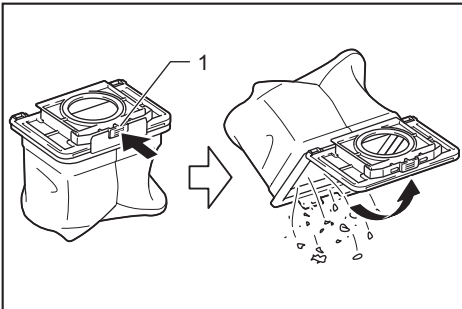
**NOTA:** La aspiradora se apagará automáticamente y la luz LED parpadeará si la aspiradora se sobrecalienta debido a una reducción del flujo de aire hacia la máquina por alguna obstrucción en la manguera, el tubo o el filtro, o alguna otra razón. En este caso, elimine la causa del problema y enfríe la aspiradora antes de comenzar de nuevo.

3. Reemplace la bolsa del filtro cuando esté llena. Abra la tapa y extraiga la bolsa del filtro. Jale la tira en el lado de la abertura para cerrar la bolsa del filtro y desechar la bolsa del filtro completa.



► 1. Tira

Cuando utilice una bolsa recolectora de polvo (accesorio opcional), retire la bolsa recolectora de polvo y deseche el polvo liberando la aldabilla.



► 1. Aldabilla

**AVISO:** Inspeccione periódicamente la bolsa del filtro para ver si está llena. El uso continuo de la bolsa del filtro ocasionará una reducción de la potencia de succión.

**AVISO:** No utilice una bolsa del filtro usada. La bolsa del filtro está diseñada para usarse una sola vez. Si desea utilizar la bolsa repetidamente, utilice una bolsa recolectora de polvo (accesorio opcional).

## MANTENIMIENTO

**PRECAUCIÓN:** Asegúrese siempre de que la herramienta esté apagada y el cartucho de batería extraído antes de intentar realizar una inspección o mantenimiento.

**AVISO:** Nunca use gasolina, bencina, diluyente (tiner), alcohol o sustancias similares. Puede que esto ocasione grietas o descoloramiento.

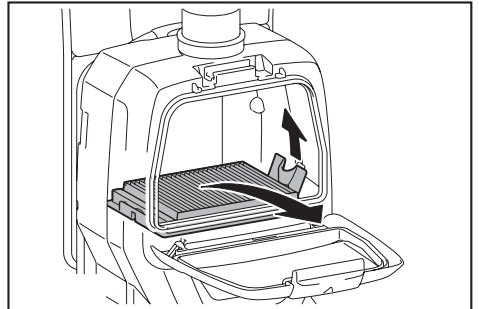
### Limpieza del filtro

**PRECAUCIÓN:** No utilice la aspiradora sin un filtro ni continúe usando el filtro sucio o dañado. El polvo o las partículas aspiradas podrían escapar de la aspiradora y causar una enfermedad respiratoria al operador.

**AVISO:** Para mantener una potencia de succión óptima y un escape limpio, limpie el filtro periódicamente. Si no logra obtenerse una potencia de succión suficiente incluso después de la limpieza, reemplace el filtro con uno nuevo.

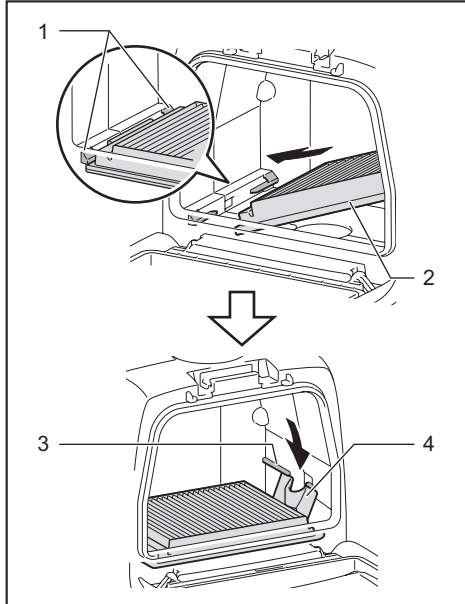
**AVISO:** Para evitar que el filtro se dañe, no utilice un sacudidor de aire y/o arandela de alta presión para la limpieza.

1. Abra la tapa y extraiga la bolsa del filtro. Libere el gancho en el filtro y retírelo del cuerpo de la aspiradora.



2. Golpee el polvo del filtro. El filtro puede ser lavado con agua. Limpie con agua el polvo y las partículas en el filtro cada 1 o 2 meses. Después de eso, seque por completo el filtro en un lugar a la sombra y bien ventilado para evitar un olor desagradable o un funcionamiento defectuoso.

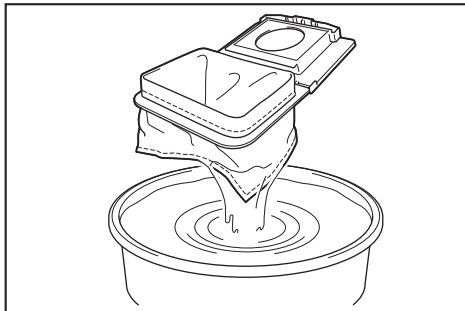
3. Para instalar el filtro, inserte el lado sin la lengüeta en el soporte y luego empuje el filtro hacia abajo hasta que la lengüeta quede asegurada por la varilla.



► 1. Soporte 2. Filtro 3. Varilla 4. Lengüeta

## Limpieza de la bolsa recolectora de polvo

Limpie regularmente la bolsa recolectora de polvo con agua y jabón. Voltee al revés la bolsa recolectora de polvo y retire el polvo adherido. Lávela ligeramente con la mano y enjuague bien con agua. Séquela por completo antes de instalarla en la aspiradora.



**AVISO:** Una bolsa recolectora de polvo húmeda reduce el desempeño del aspirado así como la vida del motor.

Para mantener la SEGURIDAD y FIABILIDAD del producto, las reparaciones, y cualquier otra tarea de mantenimiento o ajuste deberán ser realizadas en centros de servicio autorizados o de fábrica Makita, empleando siempre repuestos Makita.

## ACCESORIOS OPCIONALES

**PRECAUCIÓN:** Estos accesorios o aditamentos están recomendados para utilizarse con su herramienta Makita especificada en este manual. El empleo de cualquier otro accesorio o aditamento puede conllevar el riesgo de lesiones personales. Utilice los accesorios o aditamentos solamente para su fin establecido.

Si necesita cualquier ayuda para más detalles en relación con estos accesorios, pregunte a su centro de servicio local Makita.

- Manguera flexible
- Tubo de extensión
- Boquilla amplia
- Boquilla T
- Boquilla para alfombra
- Cepillo para estantes
- Cepillo redondo
- Bolsa del filtro
- Bolsa recolectora de polvo
- Filtro
- Batería y cargador originales de Makita

**NOTA:** Algunos de los artículos en la lista pueden incluirse en el paquete de la herramienta como accesorios estándar. Éstos pueden variar de país a país.

## GARANTÍA LIMITADA DE UN AÑO DE MAKITA

### Ésta Garantía no aplica para México Política de garantía

Cada herramienta Makita es inspeccionada y probada exhaustivamente antes de salir de la fábrica. Se garantiza que está libre de defectos de mano de obra y materiales por el período de UN AÑO a partir de la fecha original de compra. Si durante este período de un año se desarrollara algún problema, devuelva la herramienta COMPLETA, con el envío prepago, a un centro de servicio autorizado o de fábrica Makita. Si la inspección muestra que el problema ha sido a causa de un defecto de mano de obra o material, Makita hará la reparación (o a su discreción, el reemplazo) sin ningún cargo. Esta garantía no aplica cuando:

- las reparaciones se hayan hecho o intentado hacer por otros;
- se requieran reparaciones debido al desgaste normal;
- la herramienta haya sido maltratada, recibido un mal uso o haya recibido un mantenimiento inapropiado;
- se hayan hecho modificaciones a la herramienta.

EN NINGÚN CASO MAKITA SE HARÁ RESPONSABLE DE NINGÚN DAÑO INDIRECTO, INCIDENTAL, O DERIVADO DE LA VENTA O USO DEL PRODUCTO. ESTE DESCARGO DE RESPONSABILIDAD APLICA DURANTE Y DESPUÉS DEL PLAZO DE ESTA GARANTÍA.

MAKITA RENUNCIA A LA RESPONSABILIDAD POR CUALQUIER GARANTÍA IMPLÍCITA, INCLUYENDO GARANTÍAS DE "COMERCIABILIDAD" Y "ADECUACIÓN PARA UN PROPÓSITO ESPECÍFICO", DESPUÉS DEL PLAZO DE UN AÑO DE ESTA GARANTÍA.

Esta garantía le concede derechos legales específicos y usted podrá tener también otros derechos que varían de un estado a otro. Algunos estados no permiten la exclusión o limitación de daños incidentales o consecuentes, por lo que la limitación o exclusión arriba mencionada podría no aplicar para usted. Algunos estados no permiten la limitación sobre la duración de una garantía implícita, por lo que la limitación arriba mencionada podría no aplicar para usted.

< USA only >

# WARNING

Some dust created by power sanding, sawing, grinding, drilling, and other construction activities contains chemicals known to the State of California to cause cancer, birth defects or other reproductive harm. Some examples of these chemicals are:

- lead from lead-based paints,
- crystalline silica from bricks and cement and other masonry products, and
- arsenic and chromium from chemically-treated lumber.

Your risk from these exposures varies, depending on how often you do this type of work. To reduce your exposure to these chemicals: work in a well ventilated area, and work with approved safety equipment, such as those dust masks that are specially designed to filter out microscopic particles.

< Sólo en los Estados Unidos >

# ADVERTENCIA

Algunos polvos creados por el lijado, aserrado, esmerilado, taladrado y otras actividades de la construcción contienen sustancias químicas reconocidas por el Estado de California como causantes de cáncer, defectos de nacimiento y otros peligros de reproducción. Algunos ejemplos de estos productos químicos son:

- plomo de pinturas a base de plomo,
- sílice cristalino de ladrillos y cemento y otros productos de albañilería, y
- arsénico y cromo de maderas tratadas químicamente.

El riesgo al que se expone varía, dependiendo de la frecuencia con la que realice este tipo de trabajo. Para reducir la exposición a estos productos químicos: trabaje en un área bien ventilada y póngase el equipo de seguridad indicado, tal como las máscaras contra polvo que están especialmente diseñadas para filtrar partículas microscópicas.

**Makita Corporation**

3-11-8, Sumiyoshi-cho,  
Anjo, Aichi 446-8502 Japan

[www.makita.com](http://www.makita.com)

885492-949  
XCV05-1  
EN, FRCA,  
ESMX  
20151224