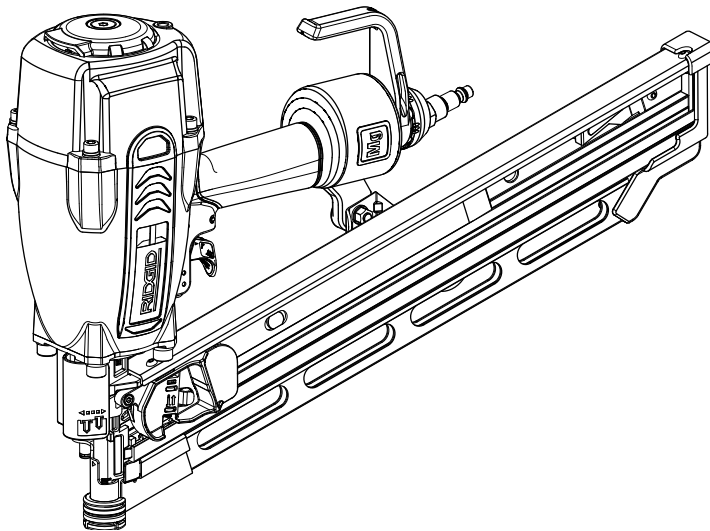


OPERATOR'S MANUAL MANUEL D'UTILISATION MANUAL DEL OPERADOR

FULL ROUND HEAD FRAMING NAILER CLOUEUSE DE CHARPENTIER À TÊTE RONDE CLAVADORA DE ENTRAMAR PARA CLAVOS DE CABEZA REDONDA NORMAL R350RHD



To register your RIDGID product, please visit:
<http://register.RIDGID.com>

Pour enregistrer votre produit de RIDGID, s'il vous plaît la visite:
<http://register.RIDGID.com>

Para registrar su producto de RIDGID, por favor visita:
<http://register.RIDGID.com>

Your framing nailer has been engineered and manufactured to our high standards for dependability, ease of operation, and operator safety. When properly cared for, it will give you years of rugged, trouble-free performance.

⚠ WARNING:

To reduce the risk of injury, the user must read and understand the operator's manual before using this product.

Thank you for buying a RIDGID® product.

SAVE THIS MANUAL FOR FUTURE REFERENCE

Cette cloueuse de charpentier a été conçue et fabriquée conformément à nos strictes normes de fiabilité, simplicité d'emploi et sécurité d'utilisation. Correctement entretenue, elle vous donnera des années de fonctionnement robuste et sans problème.

Su clavadora de entramar ha sido diseñado y fabricado de conformidad con nuestras estrictas normas para brindar fiabilidad, facilidad de uso y seguridad para el operador. Con el debido cuidado, le brindará muchos años de sólido y eficiente funcionamiento.

⚠ AVERTISSEMENT :

Pour réduire les risques de blessures, l'utilisateur doit lire et veiller à bien comprendre le manuel d'utilisation avant d'employer ce produit.

⚠ ADVERTENCIA:

Para reducir el riesgo de lesiones, el usuario debe leer y comprender el manual del operador antes de usar este producto.

Merci d'avoir acheté un produit RIDGID®.

Le agradecemos la compra de un producto RIDGID®.

**CONSERVER CE MANUEL POUR
FUTURE RÉFÉRENCE**

**GUARDE ESTE MANUAL PARA
FUTURAS CONSULTAS**

TABLE OF CONTENTS

TABLE DES MATIÈRES / ÍNDICE DE CONTENIDO

■ Introduction	2
Introduction / Introducción	
■ General Safety Rules	3
Règles de sécurité générales / Reglas de seguridad generales	
■ Specific Safety Rules.....	4-5
Règles de sécurité particulières / Reglas de seguridad específicas	
■ Symbols.....	6
Symboles / Símbolos	
■ Glossary.....	7
Symboles / Símbolos	
■ Features.....	8
Caractéristiques / Características	
■ Assembly	9
Assemblage / Armado	
■ Operation.....	9-13
Utilisation / Funcionamiento	
■ Maintenance	13-14
Entretien / Mantenimiento	
■ Accessories	15
Entretien / Mantenimiento	
■ Troubleshooting	15
Entretien / Mantenimiento	
■ Warranty	16
Garantie / Garantía	
■ Figure numbers (illustrations)	17-20
Figure numéros (illustrations) / Figura numeras (ilustraciones)	
■ Parts Ordering and Service	Back Page
Commande de pièces et réparation / Pedidos de piezas y servicio	Page arrière / Pág. posterior

INTRODUCTION

INTRODUCTION / INTRODUCCIÓN

This product has many features for making its use more pleasant and enjoyable. Safety, performance, and dependability have been given top priority in the design of this product making it easy to maintain and operate.

* * *

Ce produit offre de nombreuses fonctions destinées à rendre son utilisation plus plaisante et satisfaisante. Lors de la conception de ce produit, l'accent a été mis sur la sécurité, les performances et la fiabilité, afin d'en faire un outil facile à utiliser et à entretenir.

* * *

Este producto ofrece numerosas características para hacer más agradable y placentero su uso. En el diseño de este producto se ha conferido prioridad a la seguridad, el desempeño y la fiabilidad, por lo cual se facilita su manejo y mantenimiento.

GENERAL SAFETY RULES



DANGER:

READ AND UNDERSTAND TOOL LABELS AND MANUAL. Failure to follow warnings could result in DEATH or SERIOUS INJURY.

SAVE THESE INSTRUCTIONS

WORK AREA

- **Keep your work area clean and well lit.** Cluttered benches and dark areas invite accidents.
- **Do not operate power tools in explosive atmospheres, such as in the presence of flammable liquids, gases, or dust.** Power tools create sparks which may ignite the dust or fumes.
- **Keep bystanders, children, and visitors away while operating a power tool.** Distractions can cause you to lose control.

PERSONAL SAFETY

- **Eye protection which conforms to ANSI specifications and provides protection against flying particles both from the FRONT and SIDE should ALWAYS be worn by the operator and others in the work area when loading, operating or servicing this tool.** Eye protection is required to guard against flying fasteners and debris, which could cause severe eye injury.
- **The employer and/or user must ensure that proper eye protection is worn.** We recommend Wide Vision Safety Mask for use over eyeglasses or standard safety glasses that provide protection against flying particles both from the front and side. Always use eye protection which is marked to comply with ANSI Z87.1.
- **Additional safety protection will be required in some environments.** For example, the working area may include exposure to noise level which can lead to hearing damage. The employer and user must ensure that any necessary hearing protection is provided and used by the operator and others in the work area. Some environments will require the use of head protection equipment. When required, the employer and user must ensure that head protection conforming to ANSI Z89.1-1997 is used.
- **Stay alert, watch what you are doing and use common sense when operating a power tool. Do not use tool while tired or under the influence of drugs, alcohol, or medication.** A moment of inattention while operating power tools may result in serious personal injury.
- **Dress properly. Do not wear loose clothing or jewelry. Contain long hair. Keep your hair, clothing, and gloves away from moving parts.** Loose clothes, jewelry, or long hair can be caught in moving parts.

- **Keep fingers away from trigger when not driving fasteners to avoid accidental firing.**
- **Do not overreach. Keep proper footing and balance at all times.** Proper footing and balance enables better control of the tool in unexpected situations.
- **Use safety equipment. Always wear eye protection.** Dust mask, nonskid safety shoes, hard hat, or hearing protection must be used for appropriate conditions.
- **Do not use on a ladder or unstable support.** Stable footing on a solid surface enables better control of the tool in unexpected situations.

TOOL USE AND CARE

- **Do not force tool. Use the correct tool for your application.** The correct tool will do the job better and safer at the rate for which it is designed.
- **Do not use tool if trigger does not actuate properly.** Any tool that cannot be controlled with the trigger is dangerous and must be repaired.
- **Check operation of the workpiece contact mechanism frequently.** Do not use the tool if the workpiece contact mechanism is not working correctly as accidental driving of a fastener may result. Do not interfere with the proper operation of the workpiece contact mechanism.
- **Store idle tools out of the reach of children and other untrained persons.** Tools are dangerous in the hands of untrained users.
- **Maintain tools with care.** Follow maintenance instructions. Properly maintained tools are easier to control.
- **Check for misalignment or binding of moving parts, breakage of parts, and any other condition that may affect the tool's operation. If damaged, have the tool serviced before using.** Many accidents are caused by poorly maintained tools.
- **Use only fasteners that are recommended for your model.**
- **Keep the tool and its handle dry, clean and free from oil and grease.** Always use a clean cloth when cleaning. Never use brake fluids, gasoline, petroleum-based products, or any strong solvents to clean your tool. Following this rule will reduce the risk of loss of control and deterioration of the enclosure plastic.

SERVICE

- **Tool service must be performed only by qualified repair personnel.** Service or maintenance performed by unqualified personnel may result in a risk of injury.
- **When servicing a tool, use only identical replacement parts. Follow instructions in the Maintenance section of this manual.** Use of unauthorized parts or failure to follow Maintenance instructions may create a risk of injury.

SPECIFIC SAFETY RULES

- **Know your pneumatic tool.** Read operator's manual carefully. Learn its applications and limitations, as well as the specific potential hazards related to this tool. Following this rule will reduce the risk of electric shock, fire, or serious injury.
- **Always wear safety glasses with side shields.** Everyday glasses have only impact resistant lenses. They are NOT safety glasses. Following this rule will reduce the risk of eye injury.
- **Protect your lungs.** Wear a face or dust mask if the operation is dusty. Following this rule will reduce the risk of serious personal injury.
- **Protect your hearing.** Wear hearing protection during extended periods of operation. Following this rule will reduce the risk of serious personal injury.
- **Make sure the hose is free of obstructions or snags.** Entangled or snarled hoses can cause loss of balance or footing and may become damaged.
- **Use the tool only for its intended use.** Do not discharge fasteners into open air.
- **Use the pneumatic tool only for the purpose for which it was designed.**
- **Do not use hardened nails in this tool.**
- **Use only the fasteners recommended for this tool.** Use of the wrong fasteners could result in poor fastener feeding, jammed fasteners, and nails leaving the tool at erratic angles. If fasteners are not feeding smoothly and properly, discontinue their use immediately. Jammed and improperly feeding fasteners could result in serious personal injury.
- **Never use this tool in a manner that could cause a fastener to be directed toward anything other than the workpiece.**
- **Do not use the tool as a hammer.**
- **Always carry the tool by the handle.** Never carry the tool by the air hose.
- **Do not alter or modify this tool from the original design or function without approval from the manufacturer.**
- **Always be aware that misuse and improper handling of this tool can cause injury to yourself and others.**
- **Never clamp or tape the trigger or workpiece contact in an actuated position.**
- **Never leave a tool unattended with the air hose attached.**
- **Do not operate this tool if it does not contain a legible warning label.**
- **Do not continue to use a tool that leaks air or does not function properly.**

OPERATION

- **Always assume that the tool contains fasteners.**
- **Do not carry the tool from place to place holding the trigger.** Accidental discharge could result.
- **Always handle the tool with care:**
 - Respect the tool as a working implement.
 - Never engage in horseplay.
 - Never pull the trigger unless nose is directed toward the work.
 - Keep others a safe distance from the tool while tool is in operation as accidental actuation may occur, possibly causing injury.
- **Choice of triggering method is important. Check manual for triggering options.**
- **Pneumatic tools are designed for single-hand use.** Do not hold the tool by the front of the magazine. Do not put hands, head, or other parts of your body near the bottom of the magazine where the nail exits the tool, as serious personal injury could result.
- **Do not point the tool toward yourself or anyone whether it contains fasteners or not.**
- **Do not actuate the tool unless you intend to drive a fastener into the workpiece.**
- **Always ensure that the workpiece contact is fully positioned above the workpiece.** Positioning the workpiece contact only partially above the workpiece could cause the fastener to miss the workpiece completely and result in serious personal injury.
- **Do not drive fasteners near edge of material.** The workpiece may split causing the fastener to ricochet, injuring you or a co-worker. Be aware that the nail may follow the grain of the wood, causing it to protrude unexpectedly from the side of the work material.
- **Keep hands and body parts clear of immediate work area.** Hold workpiece with clamps when necessary to keep hands and body out of potential harm. Be sure the workpiece is properly secured before pressing the nailer against the material. The workpiece contact may cause the work material to shift unexpectedly.
- **Keep face and body parts away from back of the tool cap when working in restricted areas.** Sudden recoil can result in impact to the body, especially when nailing into hard or dense material.

SPECIFIC SAFETY RULES

- **During normal use the tool will recoil immediately after driving a fastener. This is a normal function of the tool.** Do not attempt to prevent the recoil by holding the nailer against the work. Restriction to the recoil can result in a second fastener being driven from the nailer. Grip the handle firmly, let the tool do the work and do not place second hand on top of tool or near exhaust at any time. Failure to heed this warning can result in serious personal injury.
- **Do not drive fasteners on top of other fasteners or with the tool at an overly steep angle as this may cause deflection of fasteners which could cause injury.**
- **Do not drive fasteners close to the edge of the workpiece as the wood may split, allowing the fastener to be deflected possibly causing injury.**

AIR SUPPLY AND CONNECTIONS

- **Do not use oxygen, combustible gases or bottled gases as a power source for this tool as tool will explode, possibly causing injury or death.**
- **Do not use with an air compressor which can potentially exceed 200 psi as tool may burst, possibly causing injury.**
- **The connector on the tool must not hold pressure when air supply is disconnected.** If an incorrect fitting is used, the tool can remain charged with air after disconnecting and thus will be able to drive a fastener even after the air line is disconnected, possibly causing injury.

Always disconnect air supply:

- Before making adjustments
- When servicing the tool
- When clearing a jam
- When tool is not in use
- When moving to a different work area, as accidental actuation may occur, possibly causing injury.

LOADING TOOL

- **Do not load the tool with fasteners when any one of the operating controls is activated.**

When loading tool:




- **Never place a hand or any part of body in fastener discharge area of tool.**
- **Never point tool at anyone.**
- **Do not pull the trigger or depress the workpiece contact as accidental actuation may occur, possibly causing injury.**

SAVE THESE INSTRUCTIONS







- Refer to them frequently and use them to instruct others who may use this tool. If you loan someone this tool, loan them these instructions also.

SYMBOLS

The following signal words and meanings are intended to explain the levels of risk associated with this product.

SYMBOL	SIGNAL	MEANING
	DANGER:	Indicates an imminently hazardous situation, which, if not avoided, will result in death or serious injury.
	WARNING:	Indicates a potentially hazardous situation, which, if not avoided, could result in death or serious injury.
	CAUTION:	Indicates a potentially hazardous situation, which, if not avoided, may result in minor or moderate injury.
	CAUTION:	(Without Safety Alert Symbol) Indicates a situation that may result in property damage.

Some of the following symbols may be used on this tool. Please study them and learn their meaning. Proper interpretation of these symbols will allow you to operate the tool better and safer.

SYMBOL	NAME	DESIGNATION/EXPLANATION
	Safety Alert	Indicates a potential personal injury hazard
	Read The Operator's Manual	To reduce the risk of injury, user must read and understand operator's manual before using this product.
	Eye Protection	Always wear safety goggles or safety glasses with side shields and, as necessary, a full face shield when operating this product.
	Eye, Ear and Head Protection	Always wear other personal protective equipment such as hearing protection and a hard hat when needed.
	Keep Hands Away	Keep hands and body away from the discharge area of the tool.
	Hot Surface	To reduce the risk of injury or damage, avoid contact with any hot surface.

SERVICE

Servicing requires extreme care and knowledge and should be performed only by a qualified service technician. For service we suggest you return the product to your nearest **AUTHORIZED SERVICE CENTER** for repair. When servicing, use only identical replacement parts.



WARNING:

To avoid serious personal injury, do not attempt to use this product until you read thoroughly and understand completely the operator's manual. If you do not understand the warnings and instructions in the operator's manual, do not use this product. Call RIDGID® customer service for assistance.

WARNING:



The operation of any power tool can result in foreign objects being thrown into your eyes, which can result in severe eye damage. Before beginning power tool operation, always wear safety goggles or safety glasses with side shields and, when needed, a full face shield. We recommend Wide Vision Safety Mask for use over eyeglasses or standard safety glasses with side shields. Always use eye protection which is marked to comply with ANSI Z87.1.

SAVE THESE INSTRUCTIONS

GLOSSARY OF TERMS

Activate (operating controls)

To move an operating control so that it is in a position that allows the tool to be actuated or that satisfies one requirement for the tool to be actuated.

Actuate (tool)

To cause movement of the tool component(s) intended to drive a fastener.

Actuation system

The use of a trigger, workpiece contact and/or other operating control, separately or in some combination or sequence, to actuate the tool.

- **Single sequential actuation**

An actuation system in which there is more than one operating control and the operating controls must be activated in a specific sequence to actuate the tool. Additional actuation can occur when a specific operating control, other than a workpiece contact, is released and re-activated.

- **Contact actuation**

An actuation system in which there is more than one operating control and the operating controls can be activated in any sequence to actuate the tool. Additional actuation can occur when any operating control is released and re-activated.

Air inlet port

In an air tool, the opening to which the compressed air supply is connected, usually by means of a threaded fitting.

Fastener

A staple, pin, brad, nail, or other fastening device which is designed and manufactured for use in the tools within the scope of this standard.

Jam

An obstruction in the feed or drive areas of the tool.

Maximum air pressure

The maximum allowable pressure of the compressed air, as specified by the manufacturer, for operating a tool.

Operating control

A control that separately, or as part of an actuation system, can cause the actuation of a tool.

Trigger

A tool operating control activated by a tool operator's fingers.

Workpiece

The intended object into which a fastener is to be driven by a tool.

Workpiece contact

An operating control element or assembly on the tool intended to be activated by the material to be fastened.

FEATURES

PRODUCT SPECIFICATIONS

Operating Pressure.....	70-120 psi	Weighted sound impulse power level.....	103 dBA
Magazine Capacity.....	60-70 nails	Emission sound pressure level.....	90 dBA
Minimum Nail Shank Diameter.....	0.113 in.	Vibration	4.49 m/s ²
Air Consumption.....	.14 ft ³ /cycle at 100 psi	Weight	8.2 lb.
Air Inlet	1/4 in. NPT		

KNOW YOUR FRAMING NAILER

See Figure 1.

The safe use of this product requires an understanding of the information on the tool and in this operator's manual as well as a knowledge of the project you are attempting. Before use of this product, familiarize yourself with all operating features and safety rules.

ADJUSTABLE EXHAUST

The exhaust can be adjusted to a variety of positions depending on operator preference.

DEPTH OF DRIVE ADJUSTMENT

The tool-free depth of drive adjustment lets the operator select precise driving depth of the fastener.

DRY-FIRE LOCKOUT

The dry-fire lockout feature keeps the tool from operating when fasteners are low in the magazine to prevent missing fasteners in the nail pattern and extend motor life.

IN-HANDLE AIR FILTER

The self-cleaning in-handle air filter helps keep debris out to extend the life of the tool.

INTERNAL PISTON CATCH

The internal piston catch delivers consistent driving power.

JAM-CLEARING SLIDE

The jam-clearing slide gives the operator quick access to the area of the magazine nearest the nose of the tool, to help clear infrequent jams.

MAGAZINE ADJUSTMENT

The magazine slide is designed to accommodate a wide range of fasteners. The magazine adjustment, located on the right side of the tool, allows the operator to quickly change nail sizes.

MUFFLER

The muffler reduces noise during operation.

NO-MAR PAD

The no-mar pad prevents marring and denting when using the tool on softer woods.

QUICK-CONNECT SWIVEL CONNECTOR

The quick-connect swivel connector helps prevent hose tangles.

RAFTER HOOK

The tool can be hung from a rafter when disconnected and not in use.

SELECTABLE TRIGGER

The selectable trigger lets the operator choose between Contact Actuation for higher productivity and Single Sequential Actuation for precise fastener placement.

TOE-NAILING CLAW

The toe-nailing claw reduces slipping during angled nailing operations.

ASSEMBLY

UNPACKING

This product has been shipped completely assembled.

- Carefully remove the tool and any accessories from the box. Make sure that all items listed in the packing list are included.
- Inspect the tool carefully to make sure no breakage or damage occurred during shipping.
- Do not discard the packing material until you have carefully inspected and satisfactorily operated the tool.
- If any parts are damaged or missing, please call 1-866-539-1710 for assistance.

PACKING LIST

Full Round Head Framing Nailer
Carrying Bag
Oil
Hex Key
Eye Protection
Fastener Guide
Operator's Manual

OPERATION

DANGER:

Do not use oxygen, combustible gases or bottled gases as a power source for this tool. The tool will explode and cause death or serious injury.

WARNING:

Do not allow familiarity with tools to make you careless. Remember that a careless fraction of a second is sufficient to inflict severe injury.

WARNING:

Always wear safety goggles or safety glasses with side shields when operating tools. Failure to do so could result in objects being thrown into your eyes resulting in possible serious injury.

WARNING:

Disconnect the tool from the air supply before leaving the work area, moving the tool to another location, or handing the tool to another person. Failure to do so could result in serious personal injury.

WARNING:

If any parts are damaged or missing do not operate this tool until the parts are replaced. Failure to do so could result in possible serious personal injury.

WARNING:

Do not attempt to modify this tool or create accessories not recommended for use with this tool. Any such alteration or modification is misuse and could result in a hazardous condition leading to possible serious personal injury.

APPLICATIONS

You may use this tool for the purposes listed below:

- Framing
 - Sheathing
 - Roof Sheathing
 - Floor Decking
 - Exterior Decks
 - Engineered Lumber
 - Blocking Sub-Assemblies
 - Bridging
 - Fencing
 - Crate and Box Assembly
 - Trusses
 - Siding
 - Pallets and Pallet Repair
 - Subflooring
-

WARNING:

Always wear eye protection. Eye protection does not fit all operators in the same way. Make sure the eye protection chosen has side shields or provides protection from flying debris both from the front and sides.

OPERATION

PREPARING THE TOOL FOR USE

See Figure 2.

Under normal use conditions, the tool should be lubricated before connecting the tool to an air supply. Add air tool lubricant into the air fitting on the tool once daily with minimal use, or twice a day with heavy use. Only a few drops of oil at a time is necessary. Too much oil will only collect inside the tool and will be noticeable in the exhaust cycle.

Before connecting the tool, check the air compressor gauge to be sure it is functioning within the proper range of 70-120 psi.

NO-MAR PAD

See Figure 3.

The no-mar pad attached to the nose of the tool helps prevent marring and denting when working with softer woods.

WARNING:

Disconnect the tool from the air supply before removing or replacing the no-mar pad. Failure to do so could result in serious personal injury.

The pad for the framing nailer can be removed by pulling it open and away from the side of the toe-nailing claw. To replace the pad, fit it into place over the points of the claw.

On-board storage for the pad is located on the body of the tool.

ADJUSTING THE EXHAUST

See Figure 4.

The adjustable exhaust on the end cap of the tool allows the operator to direct the exhaust according to operator preference.

To adjust, turn the exhaust cap in the desired direction.

WARNING:

Disconnect the tool from the air supply before leaving the work area, moving the tool to another location, or handing the tool to another person. Failure to do so could result in serious personal injury.

CONNECTING THE TOOL TO AN AIR SUPPLY

See Figure 5.

DANGER:

Do not use oxygen, combustible gases or bottled gases as a power source for this tool. The tool will explode and cause death or serious injury.

This tool is designed to operate on clean, dry compressed air at regulated pressures between 70 and 120 psi. The correct air pressure is the lowest pressure that will do the job.

NOTE: Air pressure that is higher than 120 psi may damage the tool.

The tool and air hose must have a hose coupling that allows all pressure to be removed from the tool when the coupling is disconnected.

WARNING:

Always use a coupling that discharges all the compressed air in the tool at the time the fitting or hose coupling is disconnected. Using a coupling that does not discharge the compressed air could cause unintended operation and serious personal injury.

WARNING:

Do not climb rigging or scaffolding while carrying a tool that is connected to an air hose. Doing so could result in serious personal injury.

Connect the tool to the air supply with a 1/4 in. female quick connector. A 3/8 in. female quick connector may be used in situations where a 1/4 in. supply line is not available. For maximum tool performance, a 3/8 in. supply line and fittings are required.

LOADING THE TOOL WITH NAILS

See Figures 6 - 7.

WARNING:

The tool's driving mechanism may cycle when the tool is first connected to the air supply. Always connect the tool to a pressurized air supply before loading nails to prevent injury from unintended cycling. Always make sure the tool's magazine is empty at the beginning of each work session, before connecting to an air supply.

-
- Connect the tool to the air supply.
 - With the nose of the tool pointed away from you, feed a strip of nails into the magazine. Be sure the nails are pointed downward and at the angle shown.

WARNING:

Keep the tool pointed away from yourself and others when loading nails. Failure to do so could result in possible serious personal injury.

OPERATION

- Slide the pusher all the way to the rear of the magazine. Release the pusher and allow it to push the nails up to the driving mechanism. The pusher will stop when it rests against the end of the nail strip.

NOTE: Do not allow the pusher to snap back into place.

WARNING:

Use only the nails recommended for use with this tool (refer to the Fastener Guide). The use of any other nails can result in tool malfunction, leading to serious injuries.

WARNING:

Never load nails with the workpiece contact or trigger activated. Doing so could result in possible serious personal injury.

WARNING:

Do not use nails smaller than .113 in. nail shank diameter. Doing so may cause nails to exit the tool prematurely through the guide track. Do not use hardened nails with pneumatic tools. This could lead to excessive wear of the guide body and allow nails to exit the back of the guide body, leading to serious personal injury.

USING THE SELECTABLE TRIGGER

See Figures 8 - 9.

WARNING:

Never wedge or hold back the workpiece contact mechanism during operation of the tool. Doing so could result in possible serious injury.

This tool is shipped from the factory with a selectable trigger set in the **Single Sequential Actuation** mode. The selectable trigger can also be set for **Contact Actuation** mode.

SINGLE SEQUENTIAL ACTUATION MODE

Single sequential actuation provides the most accurate fastener placement.

- Disconnect the tool from the air supply.
- Depress the trigger lever pivot pin.
- Rotate the selector to Position A.
- Release the trigger lever pivot pin.

WARNING:

The nailer will not function properly if the selector is not securely seated in either position A or B. Always assure the selector is seated properly to avoid an unexpected fastener discharge and possible serious personal injury.

- Reconnect the tool to the air supply.
- Grip the tool firmly to maintain control. Position the nose of the tool onto the work surface.
- Push the tool against the work surface to depress the workpiece contact.
- Squeeze the trigger to drive a fastener.
- Allow the tool to recoil away from the work surface as the fastener is driven.
- Always remove your finger from the trigger when the desired number of nails has been driven.

CONTACT ACTUATION MODE

Contact actuation allows very fast repetitive fastener placement.

- Disconnect the tool from the air supply.
- Depress the trigger lever pivot pin.
- Rotate the selector to Position B.
- Release the trigger lever pivot pin.

NOTE: The trigger lever pivot pin is spring loaded and held in position by locking tab to prevent movement during operation.

- Reconnect the tool to the air supply.
- Grip the tool firmly to maintain control.
- Squeeze and hold the trigger. Push the tool against the work surface to depress the workpiece contact and drive a fastener.
- Allow the tool to recoil away from the work surface as the fastener is driven.
- Always remove your finger from the trigger when the desired number of nails has been driven.

NOTE: In Contact Actuation Mode, the tool may also be operated by depressing the workpiece contact against the surface and squeezing the trigger.

WARNING:

During normal use the tool will recoil immediately after driving a fastener. This is a normal function of the tool. Do not attempt to prevent the recoil by holding the nailer against the work. Restriction to the recoil can result in a second fastener being driven from the nailer. Grip the handle firmly, let the tool do the work, and do not place second hand on top of tool or near exhaust at any time. Failure to heed this warning can result in serious personal injury.

OPERATION

DRY-FIRE LOCKOUT

When the magazine is almost empty of nails, the dry-fire lockout feature will not allow continued operation.

To resume operation, reload the tool with nails.

SETTING THE AIR PRESSURE

The amount of air pressure required will depend on the size of the nail and the workpiece material.

Begin testing the depth of drive by driving a test nail into the same type of workpiece material used for the actual job.

Drive a test nail with the air pressure set at 90-95 psi. Raise or lower the air pressure to find the lowest setting that will perform the job with consistent results.

It may be possible to achieve the desired depth with air pressure adjustments alone. If finer adjustments are needed, use the drive depth adjustment on the tool.

DRIVE DEPTH ADJUSTMENT

See Figure 10.

The driving depth of the nail may be adjusted. It is advisable to test the depth on a scrap workpiece to determine the required depth for the application.

To determine depth of drive, first adjust the air pressure and drive a test nail. To achieve the desired depth, use the drive depth adjustment on the tool.

- Disconnect the tool from the air supply.
- Turn the depth selector left or right to change the driving depth.
- Reconnect the tool to the air supply.
- Drive a test nail after each adjustment until the desired depth is set.

ADJUSTING THE MAGAZINE

See Figure 11.

CAUTION:

The magazine adjustment aids in the alignment of the nails in the magazine. Always ensure that the adjustment is set correctly for the size of nail you are using. Improper setting of this adjustment can lead to poor fastener feeding, jamming, and nails leaving the tools at erratic angles, which could result in serious personal injury.

The magazine slide adjustment on the right side of the tool allows the operator to easily change nail sizes.

To adjust the magazine for smaller nails (.113 in. - .120 in.):

- Disconnect the tool from the air supply.
- Depress the magazine adjustment and slide it to the forward position.
- Reconnect the tool to the air supply.

To adjust the magazine for larger nails (.131 in. - .162 in.), push the magazine adjustment to the rear position.

DRIVING NAILS AT AN ANGLE

See Figure 12.

When driving nails at an angle, make sure that the tool is pointed away from yourself and others.

When driving nails at an angle, make sure that the tool is positioned correctly. Driving at an angle that is too steep may:

- cause the nail to miss the workpiece
- cause the nail to ricochet
- cause the workpiece to splinter, causing the nail to come back toward the operator.

Never drive a nail at an angle by tilting the tool forward. This could lead to the fastener missing the work surface or bouncing off the work surface, leading to serious injury.

WARNING:

Disconnect the tool from the air supply before removing nails or clearing a jammed fastener. Failure to do so could result in serious personal injury.

REMOVING NAILS FROM THE TOOL

See Figure 13.

- Disconnect the tool from the air supply.
- To remove a strip of nails from the tool, press the release button on the pusher. When released, the pusher will slide forward.

NOTE: Always keep fingers clear of nail track of magazine to prevent injury from unintended release of the pusher.

- Press down on the nail stop tab near the end of the magazine and slide the nails over the tab.
- Remove the nail strip from the tool.

CLEARING A JAMMED FASTENER

See Figure 14.

If a nail or fastener becomes jammed in the tool, disconnect the air hose and keep the tool pointed away from you while clearing the jam.

- Disconnect the tool from the air supply.
- Remove fasteners from the tool.
- Insert a #2 Phillips screwdriver into the driving mechanism.
- Tap the screwdriver gently with a hammer. The inserted screwdriver should push the driver blade back, freeing the nail jam.
- Remove the bent nail, using needle-nose pliers if necessary.

OPERATION

If needed, the jam-clearing slide can be used to release the nail. To use the jam-clearing slide:

- Disconnect the tool from the air supply.
- Remove fasteners from the tool.
- Loosen the wing screw by turning it counterclockwise.
- Remove the wing screw, taking care not to lose the small concave washer.
- Pull back the jam-clearing slide to remove jammed or bent nails.

- Push the jam-clearing slide back into place, aligning the holes for the wing screw with the holes in the slide.
- Replace the concave washer as shown.
- Retighten the wing screw, making sure it is secure.

NOTE: The jam-clearing slide should always be in place when operating this tool. When using the tool, periodically confirm that the tensioning wing nut is securely fastened.

MAINTENANCE

WARNING:

When servicing use only identical RIDGID replacement parts. Use of any other parts may create a hazard or cause product damage.

WARNING:

Always wear safety goggles or safety glasses with side shields during power tool operation or when blowing dust. If operation is dusty, also wear a dust mask.

WARNING:

Disconnect the tool from the air supply before performing maintenance. Failure to do so could result in serious personal injury.

GENERAL MAINTENANCE

Avoid using solvents when cleaning plastic parts. Most plastics are susceptible to damage from various types of commercial solvents and may be damaged by their use. Use clean cloths to remove dirt, dust, oil, grease, etc.

WARNING:

Do not at any time let brake fluids, gasoline, petroleum-based products, penetrating oils, etc., come in contact with plastic parts. Chemicals can damage, weaken or destroy plastic which may result in serious personal injury.

LUBRICATION

Frequent, but not excessive, lubrication is required for best performance. Oil for pneumatic fastening tools added through the air line connection will lubricate the internal parts. Do not use detergent oil or additives as these lubricants will cause accelerated wear to the seals and bumpers in the tool, resulting in poor tool performance and frequent tool maintenance.

COLD WEATHER OPERATION

For cold weather operation, near and below freezing, the moisture in the air line may freeze and prevent tool operation. We recommend the use of air tool lubricant or permanent antifreeze (ethylene glycol) as a cold weather lubricant.

CAUTION:

Do not store tools in a cold weather environment to prevent frost or ice formation on the tools' operating valves and mechanisms that could cause tool failure.

NOTE: Some commercial air line drying liquids are harmful to "O" rings and seals. Do not use these low temperature air dryers without checking compatibility.

AIR SUPPLY PRESSURE AND VOLUME

Air volume is as important as air pressure. The air volume supplied to the tool may be inadequate because of undersize fittings and hoses, or from the effects of dirt and water in the system. Restricted air flow will prevent the tool from receiving an adequate volume of air, even though the pressure reading is high. The results will be a slow operation or reduced driving power. Before evaluating tool problems for these symptoms, trace the air supply from the tool to the supply source for restrictive connectors, low points containing water and anything else that would prevent full volume flow of air to the tool.

MAINTENANCE

REQUIRED DAILY CHECKLIST

See Figures 15 - 17.

- Disconnect the air supply from the tool and remove all fasteners.
- Check all screws, nuts, bolts, and pins on the tool. If any of these are loose, they must be tightened with the appropriate size wrench.
- Make sure that the jam-clearing slide is securely in place and the wing screw is tightened. Continue to check the wing screw at regular intervals during each work session.
- Press the workpiece contact against a workpiece to ensure that it moves smoothly.
- With the workpiece contact depressed, pull the trigger. The trigger should move smoothly, without binding.
- While the tool is not loaded, connect the appropriate air supply (at 70 psi) to the tool.
- Rotate the selectable trigger knob on the trigger to Single Sequential Actuation operation, Position A, as shown in Figure 16. No air should leak from the tool.
 - Without pulling the trigger, press the workpiece contact against a workpiece several times. The tool must not operate.
 - With the workpiece contact not engaged on the workpiece, point the tool down and away and pull the trigger several times. Hold the trigger in this position for a minimum of 5 seconds. The tool must not operate.
- Press the workpiece contact firmly against the workpiece. The tool must operate.
- With the workpiece contact still depressed, release the trigger. The driver must return to its up position.
- Rotate the selectable trigger knob on the trigger to Contact Actuation operation, Position B, as shown in Figure 17.
 - With the workpiece contact not engaged on the workpiece, point the tool down and away. Pull the trigger. The tool must not operate.
 - Keeping the trigger fully depressed, push the workpiece contact against a workpiece. The tool must operate.
- If the tool successfully meets all the requirements in this checklist, it is ready for use. Set the trigger on the tool to operate in the manner that best fits your application. Load the proper fasteners for the desired application.
- Set the depth of drive according to the “Drive Depth Adjustment” section in this manual. Repeat this checklist before using the tool each day, or if the tool is dropped or damaged in any way.

ACCESSORIES

To order parts and maintenance kits, call 1-866-539-1710.

Driver Maintenance Kit	079005001101
Overhaul Kit.....	079002001093
Oil and Wrench Kit.....	079002001098

WARNING:

Current attachments and accessories available for use with this tool are listed above. Do not use any attachments or accessories not recommended by the manufacturer of this tool. The use of attachments or accessories not recommended can result in serious personal injury.

TROUBLESHOOTING

PROBLEM	POSSIBLE CAUSE	SOLUTION
Air leak near the top of the tool or in the trigger area	Loose screws Worn or damaged O-rings or seals	Tighten screws Install Overhaul Kit
Air leak near the bottom of the tool	Loose screws Worn or damaged O-rings or bumper	Tighten screws Install Overhaul Kit
Tool does nothing or operates sluggishly	Inadequate air supply Inadequate lubrication Worn or damaged O-rings or bumper	Verify adequate air supply Lubricate tool Install Overhaul Kit
Tool jams frequently	Incorrect fasteners Damaged fasteners Loose magazine Dirty magazine Worn or damaged driver	Verify that fasteners are the correct size Replace fasteners Tighten screws Clean magazine Install Driver Maintenance Kit

NOTE: FIGURES (ILLUSTRATIONS) START ON PAGE 17 AFTER FRENCH AND SPANISH LANGUAGE SECTIONS.

WARRANTY

RIDGID® PNEUMATIC TOOL 3 YEAR LIMITED SERVICE WARRANTY

Proof of purchase must be presented when requesting warranty service.

This product is manufactured by One World Technologies, Inc. The trademark is licensed from RIDGID, Inc. All warranty communications should be directed to One World Technologies, Inc., attn: RIDGID Pneumatic Tool Technical Service at (toll free) 1-866-539-1710.

90-DAY SATISFACTION GUARANTEE POLICY

During the first 90 days after the date of purchase, if you are dissatisfied with the performance of this RIDGID® Pneumatic Tool for any reason you may return the tool to the dealer from which it was purchased for a full refund or exchange. To receive a replacement tool you must present proof of purchase and return all original equipment packaged with the original product. The replacement tool will be covered by the limited warranty for the balance of the 3-YEAR service warranty period.

WHAT IS COVERED UNDER THE 3 YEAR LIMITED SERVICE WARRANTY

This warranty on RIDGID® Pneumatic Tools covers all defects in workmanship or materials and normal wear items for three years following the purchase date of the tool. Warranties for other RIDGID® products may vary.

HOW TO OBTAIN SERVICE

To obtain service for this RIDGID® tool you must return it; freight prepaid, or take it in to an authorized service center for RIDGID® branded pneumatic tools. You may obtain the location of the authorized service center nearest you by calling (toll free) 1-866-539-1710 or by logging on to the RIDGID® website at www.ridgid.com. When requesting warranty service, you must present the original dated sales receipt. The authorized service center will repair any faulty workmanship, and either repair or replace any part covered under the warranty, at our option, at no charge to you.

WHAT IS NOT COVERED

This warranty applies only to the original purchaser at retail and may not be transferred. This warranty only covers defects arising under normal usage and does not cover any malfunction, failure or defect resulting from misuse, abuse, neglect, alteration, modification or repair by other than an authorized service center for RIDGID® branded pneumatic tools. Consumable accessories provided with the tool such as, but not limited to, fasteners, oil, and safety glasses are not covered.

RIDGID, INC. AND ONE WORLD TECHNOLOGIES, INC. MAKE NO WARRANTIES, REPRESENTATIONS OR PROMISES AS TO THE QUALITY OR PERFORMANCE OF ITS PNEUMATIC TOOLS OTHER THAN THOSE SPECIFICALLY STATED IN THIS WARRANTY.

ADDITIONAL LIMITATIONS

To the extent permitted by applicable law, all implied warranties, including warranties of MERCHANTABILITY or FITNESS FOR A PARTICULAR PURPOSE, are disclaimed. Any implied warranties, including warranties of merchantability or fitness for a particular purpose, that cannot be disclaimed under state law are limited to three years from the date of purchase. One World Technologies, Inc. and RIDGID, Inc. are not responsible for direct, indirect, incidental or consequential damages. Some states do not allow limitations on how long an implied warranty lasts and/or do not allow the exclusion or limitation of incidental or consequential damages, so the above limitations may not apply to you. This warranty gives you specific legal rights, and you may also have other rights which vary from state to state.

One World Technologies, Inc.

P.O. Box 35, Hwy. 8

Pickens, SC 29671

RÈGLES DE SÉCURITÉ GÉNÉRALES



DANGER :

LIRE ET VEILLER À BIEN COMPRENDRE LES AUTOCOLLANTS APPOSÉS SUR L'OUTIL ET LE MANUEL. Le non respect de cet avertissement pourrait entraîner des BLESSURES GRAVES ou MORTELLES.

CONSERVER CES INSTRUCTIONS

LIEU DE TRAVAIL

- **Garder le lieu de travail propre et bien éclairé.** Les établis encombrés et les endroits sombres sont propices aux accidents.
- **Ne pas utiliser d'outils électriques dans des atmosphères explosives, par exemple en présence de liquides, gaz ou poussières inflammables.** Les outils électriques produisent des étincelles risquant d'enflammer les poussières ou vapeurs.
- **Garder les badauds, enfants et visiteurs à l'écart pendant l'utilisation d'un outil électrique.** Les distractions peuvent causer une perte de contrôle.

SÉCURITÉ PERSONNELLE

- **Lors du chargement, de l'utilisation ou de l'entretien de cet outil, l'opérateur et les personnes se trouvant sur le lieu de travail doivent TOUJOURS porter un dispositif oculaire à protection FRONTALE et LATÉRALE, conforme aux normes ANSI.** Une telle protection est requise, car les clous et débris projetés peuvent causer des lésions oculaires graves.
- **Il incombe à l'employeur et / ou l'utilisateur de veiller à ce qu'une protection oculaire adéquate soit utilisée.** Nous recommandons d'utiliser un masque facial à champ de vision élargi ou des lunettes de sécurité munies d'écrans latéraux protégeant des débris projetés, plutôt que des lunettes de vue. Toujours porter une protection oculaire certifiée conforme à la norme ANSI Z87.1.
- **Des équipements de protection supplémentaires sont requis dans certains environnements.** Par exemple, le lieu de travail peut présenter un niveau de bruit susceptible d'entraîner des lésions auditives. Il incombe à l'opérateur et à l'utilisateur qu'une protection auditive soit fournie et utilisée par l'opérateur et les autres personnes se trouvant sur le lieu de travail. Certains environnements requièrent le port d'un casque. Il incombe à l'employeur et / ou l'utilisateur de veiller à ce qu'un casque conforme à la norme ANSI Z89.1-1997 soit utilisé.
- **Rester attentif, prêter attention au travail et faire preuve de bon sens lors de l'utilisation de tout outil électrique. Ne pas utiliser cet outil en état de fatigue ou sous l'influence d'alcool, de drogues ou de médicaments.** Un moment d'inattention pendant l'utilisation d'un outil électrique peut entraîner des blessures graves.

- **Porter une tenue appropriée. Ne porter ni vêtements amples, ni bijoux. Attacher ou couvrir les cheveux longs. Garder les cheveux, les vêtements et les gants à l'écart des pièces en mouvement.** Les vêtements amples, bijoux et cheveux longs peuvent se prendre dans les pièces en mouvement.
- **Excepté pour planter des clous, garder les doigts à l'écart de la gâchette, pour éviter un déclenchement accidentel.**
- **Ne pas travailler hors de portée. Toujours se tenir bien campé et en équilibre.** Une bonne tenue et un bon équilibre permettent de mieux contrôler l'outil en cas de situation imprévue.
- **Utiliser l'équipement de sécurité. Toujours porter une protection oculaire.** Suivant les conditions, le port d'un masque antipoussière, de chaussures de sécurité, d'un casque ou d'une protection auditive est recommandé.
- **Ne pas utiliser l'outil sur une échelle ou un support instable.** Une bonne tenue et un bon équilibre permettent de mieux contrôler l'outil en cas de situation imprévue.

UTILISATION ET ENTRETIEN DE L'OUTIL

- **Ne pas forcer l'outil. Utiliser un outil approprié pour le travail.** Un outil approprié exécutera le travail mieux et de façon moins dangereuse s'il fonctionne dans les limites prévues.
- **Ne pas utiliser l'outil si la gâchette ne fonctionne pas correctement.** Tout outil qui ne peut pas être contrôlé par la gâchette est dangereux et doit être réparé.
- **Vérifier le mécanisme de contact de la tête de l'outil fréquemment.** Ne pas utiliser l'outil si le mécanisme de déclenchement par contact ne fonctionne pas correctement, car l'éjection accidentelle d'un clou pourrait se produire. Ne pas empêcher le fonctionnement correct du mécanisme de contact de la tête de la cloueuse.
- **Ranger les outils non utilisés hors de portée des enfants et des personnes n'ayant pas reçu des instructions adéquates.** Dans les mains de personnes n'ayant pas reçu des instructions adéquates, les outils sont dangereux.
- **Entretenir soigneusement les outils.** Respecter toutes les instructions d'entretien. Les outils correctement entretenus sont plus faciles à contrôler.
- **Vérifier qu'aucune pièce mobile n'est mal alignée, grippée ou brisée et s'assurer qu'aucun autre problème risque d'affecter le bon fonctionnement de l'outil. En cas de dommages, faire réparer l'outil avant de l'utiliser de nouveau.** Beaucoup d'accidents sont causés par des outils mal entretenus.
- **Utiliser exclusivement les clous/agrafes recommandés pour le modèle d'outil.**
- **Garder l'outil et sa poignée secs, propres et exempts d'huile ou de graisse.** Toujours utiliser un chiffon propre pour le nettoyage. Ne jamais utiliser de liquide de freins, d'essence, de produits à base de pétrole ou de solvants forts pour nettoyer l'outil. Le respect de cette règle réduira les risques de perte du contrôle et d'endommagement du boîtier en plastique.

RÈGLES DE SÉCURITÉ GÉNÉRALES

DÉPANNAGE

- **Le dépannage des outils doit être confié exclusivement à un personnel qualifié.** Les réparations ou entretiens effectués par des personnes non qualifiées présentent des risques de blessures.

- **Utiliser exclusivement des pièces identiques à celles d'origine pour les réparations. Se conformer aux instructions de la section Entretien de ce manuel.** L'usage de pièces non autorisées ou le non respect des instructions d'entretien peut présenter des risques de blessures.

RÈGLES DE SÉCURITÉ PARTICULIÈRES

- **Apprendre à connaître l'outil.** Lire attentivement le manuel d'utilisation. Apprendre les applications et les limites de l'outil, ainsi que les risques spécifiques relatifs à son utilisation. Le respect de cette règle réduira les risques d'incendie, de choc électrique et de blessures.
- **Toujours porter des lunettes de sécurité avec écrans latéraux.** Les lunettes de vue ordinaires sont munies seulement de verres résistants aux impacts. Ce ne sont PAS des lunettes de sécurité. Le respect de cette règle réduira les risques de lésions oculaires.
- **Protection respiratoire.** Porter un masque facial ou respiratoire si le travail produit de la poussière. Le respect de cette règle réduira les risques de blessures graves.
- **Protection auditive.** Porter une protection auditive durant les périodes d'utilisation prolongée. Le respect de cette règle réduira les risques de blessures graves.
- **S'assurer que le flexible n'est ni bloqué, ni accroché.** Un flexible emmêlé ou entortillé peut causer une perte d'équilibre et être endommagé.
- **L'outil ne doit être utilisé que pour les applications pour lesquelles il est conçu.** Ne pas décharger des clous dans le vide.
- **Ne pas planter de clous près du bord du matériau.** La pièce à clouer peut se fendre, causant un ricochet du clou, qui risque alors de blesser l'opérateur ou une autre personne présente. Ne pas oublier que le clou peut suivre le grain du bois et que sa pointe peut ressortir inopinément par le bord de la planche.
- **Garder les mains et toutes les parties du corps à l'écart du point à clouer.** Au besoin, assujettir la pièce à clouer avec des serre-joint pour garder les mains à l'écart de la zone dangereuse. S'assurer que la pièce à clouer est correctement assujettie avant d'appuyer la cloueuse à sa surface. Le contact de la cloueuse peut causer un déplacement inopiné de la pièce.
- **Lors du travail dans des endroits confinés, garder le visage et le corps à l'écart de l'arrière de l'outil.** Un recul brusque peut projeter la cloueuse contre le corps, en particulier lors du clouage de matériaux denses.
- **Cet outil pneumatique ne doit être utilisé que pour les applications pour lesquelles il est conçu.**
- **Ne jamais utiliser cet outil de façon à ce qu'un clou puisse être dirigé vers quoi que ce soit d'autre que la pièce à clouer.**
- **Ne pas utiliser cet outil comme un marteau.**
- **Toujours transporter l'outil par la poignée.** Ne jamais transporter l'outil par le flexible d'air.

- **Ne pas altérer ou modifier cet outil, ni l'utiliser pour des fonctions autres que celles prévues, sans autorisation préalable de son fabricant.**
- **Ne jamais oublier qu'un usage incorrect ou abusif de cet outil peut mettre l'opérateur et les autres personnes présentes en danger.**
- **Ne jamais bloquer la gâchette ou le contact de la cloueuse en position de déclenchement avec du ruban adhésif ou un quelconque autre système.**
- **Ne jamais laisser l'outil sans surveillance avec le flexible d'air branché.**
- **Ne pas utiliser cet outil s'il ne comporte pas d'autocollant d'avertissement.**
- **Ne pas utiliser un outil qui présente des fuites d'air ou ne fonctionne pas correctement.**

UTILISATION

- **Toujours présumer que l'outil contient des clous.**
- **Ne pas transporter l'outil avec le doigt sur la gâchette.** Un clou pourrait être éjecté accidentellement.
- **Toujours manipuler l'outil avec précaution :**
 - Respecter cet outil comme tout équipement de travail.
 - Ne pas l'utiliser comme un jouet.
 - Ne jamais appuyer sur la gâchette si la tête de l'outil n'est pas dirigée vers la pièce à clouer.
 - Garder toutes les personnes présentes à distance sûre de l'outil, car un éventuel déclenchement accidentel pourrait entraîner des blessures.
- **Le choix de la méthode de déclenchement est important. Voir les options de déclenchement dans le manuel.**
- **Ne pointer l'outil ni vers soi, ni vers quiconque, qu'il contienne des clous ou non.**
- **N'actionner l'outil que pour planter un clou dans la pièce à assujettir.**
- **Durant l'utilisation normale de l'outil, un recul se produit lorsqu'un clou est planté. Ce recul est normal.** Ne pas essayer de l'empêcher en maintenant l'outil contre la pièce à clouer. Cela pourrait causer l'éjection d'un second clou. Tenir la poignée fermement, laisser l'outil exécuter le travail et ne jamais placer l'autre main sur le dessus de l'outil ou près de l'échappement. Le non respect de cette mise en garde peut entraîner des blessures graves.
- **Ne pas planter un clou sur un autre ou avec l'outil à un angle trop prononcé, car le clou pourrait dévier et blesser quelqu'un.**

RÈGLES DE SÉCURITÉ PARTICULIÈRES

- Ne pas planter de clous près du bord de la pièce, car le bois pourrait se fendre et le clou risquerait alors d'être projeté et de blesser quelqu'un.

ALIMENTATION ET CONNEXIONS PNEUMATIQUES

- Ne pas utiliser de l'oxygène ou des gaz combustibles ou en bouteille pour alimenter l'outil, car celui-ci pourrait exploser et infliger des blessures graves ou mortelles.
- Ne pas utiliser un compresseur d'air pouvant produire une pression de plus de 200 P.S.I. car l'outil pourrait exploser et infliger des blessures.
- Le connecteur utilisé sur l'outil ne doit pas maintenir la pression une fois que l'alimentation pneumatique a été débranchée. Si un fusible de type incorrect est utilisé, l'outil peut resté chargé d'air une fois débranché et éjecter un clou, risquant de blesser quelqu'un.
- **Toujours débrancher l'alimentation pneumatique :**
 - Avant d'effectuer des réglages
 - Lors de l'entretien de l'outil
 - Lors du déblocage de l'outil
 - Lorsque l'outil n'est pas en usage
 - Avant de se déplacer avec l'outil, car un déclenchement accidentel pourrait entraîner des blessures.

CHARGEMENT DE L'OUTIL

- Ne pas charger l'outil lorsque l'une des commandes de déclenchement est activée.

Lors du chargement de l'outil :




- Ne jamais placer une main ou une partie quelconque du corps devant la tête de l'outil.
- Ne jamais pointer l'outil sur qui que ce soit.
- Ne pas appuyer sur la gâchette ou sur le mécanisme de contact, car l'outil pourrait éjecter un clou, risquant de blesser quelqu'un.

CONSERVER CES INSTRUCTIONS.







- Les consulter fréquemment et les utiliser pour instruire les autres utilisateurs éventuels. Si cet outil est prêté, il doit être accompagné de ces instructions.

SYMBOLES

Les termes de mise en garde suivants et leur signification ont pour but d'expliquer le degré de risques associé à l'utilisation de ce produit.

SYMBOLE	SIGNAL	SIGNIFICATION
	DANGER:	Indique une situation extrêmement dangereuse qui, si elle n'est pas évitée, aura pour conséquences des blessures graves ou mortelles.
	AVERTISSEMENT :	Indique une situation potentiellement dangereuse qui, si elle n'est pas évitée, pourrait entraîner des blessures graves ou mortelles.
	ATTENTION :	Indique une situation potentiellement dangereuse qui, si elle n'est pas évitée, pourrait entraîner des blessures légères ou de gravité modérée.
	ATTENTION :	(Sans symbole d'alerte de sécurité) Indique une situation pouvant entraîner des dommages matériels.

Certains des symboles ci-dessous peuvent être utilisés sur l'outil. Veiller à les étudier et à apprendre leur signification. Une interprétation correcte de ces symboles permettra d'utiliser l'outil plus efficacement et de réduire les risques.

SYMBOL	NAME	DESIGNATION/EXPLANATION
	Symbole d'alerte de sécurité	Indique un risque de blessure potentiel.
	Lire le manuel d'utilisation	Pour réduire les risques de blessures, l'utilisateur doit lire et veiller à bien comprendre le manuel d'utilisation avant d'utiliser ce produit.
	Protection oculaire	Toujours porter des lunettes de sécurité étanches ou munies d'écrans latéraux et un masque facial intégral lors de l'utilisation de ce produit.
	Protection oculaire, protection de l'ouïe et casque	Toujours porter des lunettes de sécurité étanches ou munies d'écrans latéraux ou un masque facial intégral lors de l'utilisation de ce produit.
	Garder les mains à l'écart	Garder les mains et le corps à l'écart de la décharge de l'outil.
	Surface brûlante	Pour éviter les risques de blessures ou de dommages, éviter tout contact avec les surfaces brûlantes.

DÉPANNAGE

Le dépannage exigeant des précautions extrêmes et la connaissance du système, il ne doit être confié qu'à un technicien de service qualifié. En ce qui concerne les réparations, nous recommandons de confier l'outil au **CENTRE DE RÉPARATIONS AGRÉÉ** le plus proche. Utiliser exclusivement des pièces identiques à celles d'origine pour les réparations.



AVERTISSEMENT :

Pour éviter des blessures graves, ne pas essayer d'utiliser ce produit avant d'avoir lu entièrement et bien compris toutes les instructions contenues dans le manuel d'utilisation. Si tous les avertissements et toutes les consignes de sécurité et instructions du manuel d'utilisation ne sont pas bien compris, ne pas utiliser ce produit. Appeler le service après-vente RIDGID®.



AVERTISSEMENT :



L'utilisation de tout outil motorisé peut causer la projection d'objets en direction du visage et entraîner des lésions oculaires graves. Avant de commencer l'opération de cet outil électrique, toujours porter des lunettes de sécurité étanches ou à écrans latéraux, et si nécessaire, un masque facial intégral. Nous recommandons d'utiliser un masque facial à champ de vision élargi, plutôt que des lunettes de vue ou des lunettes de sécurité munies d'écrans latéraux. Toujours porter une protection oculaire certifiée conforme à la norme ANSI Z87.1.

CONSERVER CES INSTRUCTIONS

GLOSSAIRE

Activer (commandes de l'outil)

Mettre une commande sur une position déclenchant ou permettant de déclencher l'outil

Actionner (outil)

Causer le mouvement des pièces conçues pour chasser le clou.

Système de déclenchement

Gâchette, déclencheur par contact et / ou autre commande qui, utilisées séparément ou conjointement déclenchent l'outil.

- **Déclenchement par séquence unique**

Système de déclenchement comprenant plus d'une commande et dont les commandes doivent être actionnées dans un ordre donné pour déclencher l'outil. Le déclenchement peut être répété lorsqu'une commande, autre que le déclencheur par contact, est relâchée, puis actionnée de nouveau.

- **Déclenchement par contact**

Système de déclenchement comprenant plus d'une commande et dont les commandes doivent être actionnées dans n'importe quel ordre pour déclencher l'outil. Le déclenchement peut être répété lorsqu'une commande est relâchée, puis actionnée de nouveau.

Orifice d'entrée d'air

Sur un outil pneumatique, l'ouverture sur laquelle la source d'air est connectée, généralement au moyen d'un raccord fileté.

Pièce de fixation

Agrafe, cheville, clou ou autre pièce de fixation conçue et fabriquée pour être utilisée pour les outils répondant à cette norme.

Blocage

Obstruction dans le système d'alimentation ou de décharge de l'outil.

Pression d'air maximum

Pression maximale admissible de l'air comprimé, telle que spécifiée par le fabricant, pour alimenter un outil.

Commande

Dispositif qui, séparément ou en conjonction avec un système, peut causer le déclenchement de l'outil.

Gâchette

Commande de l'outil actionnée par le doigt de l'opérateur.

Pièce

Objet dans lequel un clou, une agrafe ou autre pièce de fixation est enfoncé par l'outil.

Contact de déclenchement

Pièce ou partie de l'outil conçue pour le déclencher par contact avec la pièce à assujettir.

CARACTÉRISTIQUES

FICHE TECHNIQUE

Pression de service 70 à 120 psi
Capacité du magasin 60 à 70 clous
Diamètre de la tige minimum..... 0,113 po
Consommation d'air.....
0,04 m³/cycle (0,14 pi³/cycle) à 100 psi

Entrée d'air 1/4 po NPT
Niveau acoustique pondéré d'impulsion..... 103 dBA
Niveau acoustique pondéré d'émission 90 dBA
Vibrations..... 4,49 m/s²
Poids 3,72 kg (8,2 lb)

APPRENDRE À CONNAÎTRE LA CLOUEUSE

Voir la figure 1.

La sécurité d'utilisation de ce produit exige la compréhension des informations apposées sur l'outil et contenues dans ce manuel d'utilisation, ainsi que la connaissance du travail à exécuter. Avant d'utiliser ce produit, se familiariser avec toutes ses fonctions et règles de sécurité..

ÉCHAPPEMENT RÉGLABLE

L'échappement peut être orienté selon la préférence de l'opérateur.

RÉGLAGE DE PROFONDEUR D'ENFONCEMENT

Ce dispositif permet à l'opérateur d'ajuster précisément la profondeur d'enfoncement des clous.

SÛRETÉ DE DÉCLENCHEMENT À VIDE

Ce dispositif de sûreté empêche le déclenchement de l'outil lorsque le magasin est presque vide, pour empêcher les manques et prolonger la vie utile du moteur.

FILTRE À AIR DANS LA POIGNÉE

Ce filtre autonettoyant empêche la pénétration de débris et prolonge la vie utile de l'outil.

BUTÉE DE PISTON INTERNE

Cette butée assure la régularité d'enfoncement des clous.

COULISSE DE DÉBOURRAGE

La coulisse de débouillage permet à l'utilisateur d'accéder rapidement à la partie du magasin située près du nez de l'outil pour dégager les pièces qui peuvent se coincer à l'occasion.

RÉGLAGE DU MAGASIN

Ce magasin spécial permet d'utiliser une grande variété de clous. Le réglage de magasin, situé sur le côté droit de l'outil, permet à l'opérateur de changer rapidement de taille de clous.

SILENCIEUX

Réduit le bruit de fonctionnement.

COUSSINET DE PROTECTION

Le coussinet de protection empêche de marquer ou d'érafler les bois tendres.

CONNECTEUR RAPIDE PIVOTANT

Ce connecteur aide à empêcher les entortillements du flexible.

CROCHET À CHEVRON

L'outil peut être suspendu à un chevron lorsqu'il est débranché et pas utilisé.

GÂCHETTE À SÉLECTEUR

Cette gâchette permet à l'opérateur de choisir entre le déclenchement par contact, pour un rendement accru ou le déclenchement à séquence unique pour un placement précis des clous.

GRIFFE DE CLOUAGE EN BIAIS

Cette griffe réduit le glissement lors du clouage en biais.

ASSEMBLAGE

DÉBALLAGE

Ce produit a été expédié complètement assemblé.

- Avec précaution, sortir l'outil et les accessoires de la boîte. S'assurer que toutes les pièces figurant sur la liste de contrôle sont incluses.
- Examiner soigneusement l'outil pour s'assurer que rien n'a été brisé ou endommagé en cours de transport.
- Ne pas jeter les matériaux d'emballage avant d'avoir soigneusement examiné l'outil et avoir vérifié qu'il fonctionne correctement.
- Si des pièces sont manquantes ou endommagées, appeler le 1-866-539-1710.

LISTE DE CONTRÔLE D'EXPÉDITION

Cloueuse de charpentier à tête ronde

Sacoche de transport

Huile

Clé hexagonale

Protection oculaire

Guide des clous

Manuel d'utilisation

UTILISATION

DANGER :

Ne pas utiliser de l'oxygène ou des gaz combustibles ou en bouteille pour alimenter l'outil. L'outil exploserait, causant des blessures graves ou mortelles.

AVERTISSEMENT :

Ne pas laisser la familiarité avec les outils faire oublier la prudence. Ne pas oublier qu'une fraction de seconde d'inattention peut entraîner des blessures graves.

AVERTISSEMENT :

Toujours porter des lunettes de sécurité avec ou sans coques latérales lors de l'utilisation d'outils. Si cette précaution n'est pas prise, des objets peuvent être projetés dans les yeux et causer des lésions graves.

AVERTISSEMENT :

Débrancher l'outil de la source d'air avant de quitter le lieu de travail, de transporter l'outil à un autre endroit ou de le passer à une autre personne. Ne pas prendre cette précaution peut entraîner des blessures graves.

AVERTISSEMENT :

Si des pièces manquent ou sont endommagées, ne pas utiliser cet outil avant qu'elles aient été remplacées. Ne pas prendre cette précaution pourrait entraîner des blessures graves.

AVERTISSEMENT :

Ne pas essayer de modifier cet outil ou de créer des accessoires non recommandés pour l'outil. De telles altérations ou modifications sont considérées comme un usage abusif et peuvent créer des conditions dangereuses, risquant d'entraîner des blessures graves.

APPLICATIONS

Cet outil peut être utilisé pour les applications ci-dessous :

- Charpenterie
 - Revêtement
 - Couverture de toit
 - Platelage
 - Terrasses en bois
 - Bois de haute technologie
 - Calage de sous-ensembles
 - Pontage
 - Palissades
 - Assemblage de caisses
 - Treillis
 - Bardage
 - Fabrication et réparation de palettes
 - Faux planchers
-

AVERTISSEMENT :

Toujours porter une protection oculaire. Les protections oculaires ne s'ajustent pas de la même façon sur toutes les personnes. Veiller à ce que le dispositif oculaire soit doté d'écrans latéraux protégeant des débris projetés sur le devant et les côtés.

UTILISATION

PRÉPARATION DE L'OUTIL POUR LE TRAVAIL

Voir la figure 2.

Dans des conditions d'utilisation normales, l'outil doit être lubrifié avant d'être raccordé à l'alimentation pneumatique. Lubrifier le raccord d'air de l'outil une fois par jour si l'utilisation est minimale ou deux fois, si l'utilisation est intensive. Quelques gouttes suffisent à chaque lubrification. Une quantité excessive d'huile s'accumulerait à l'intérieur de l'outil et serait visible lors du cycle d'échappement.

Avant de brancher l'outil, s'assurer que le manomètre du compresseur d'air indique une pression correcte de 70 à 120 psi.

COUSSINET DE PROTECTION

Voir la figure 3.

Le coussinet de protection empêche de marquer ou d'érafler les bois tendres.

AVERTISSEMENT :

Débrancher l'outil de la source d'air avant de retirer le coussinet de protection ou de le remettre en place. Ne pas prendre cette précaution peut entraîner des blessures graves.

Le coussinet de protection de la cloueuse peut être retiré en l'ouvrant et en l'écartant du côté de la griffe de clouage en biais. Pour remettre le coussinet en place, l'engager sur les pointes de la griffe.

Un compartiment de rangement du coussinet est prévu sur le magasin de l'outil.

RÉGLAGE DE L'ÉCHAPPEMENT

Voir la figure 4.

L'échappement réglable du capuchon de l'outil permet à l'opérateur d'orienter l'échappement selon sa préférence. Pour orienter l'échappement, tourner le capuchon dans la direction désirée.

AVERTISSEMENT :

Débrancher l'outil de la source d'air avant de quitter le lieu de travail, de transporter l'outil à un autre endroit ou de le passer à une autre personne. Ne pas prendre cette précaution peut entraîner des blessures graves.

RACCORDEMENT DE L'OUTIL À UNE SOURCE D'AIR

Voir la figure 5.

DANGER :

Ne pas utiliser de l'oxygène ou des gaz combustibles ou en bouteille pour alimenter l'outil. L'outil exploserait, causant des blessures graves ou mortelles.

Cet outil est conçu pour fonctionner avec de l'air comprimé propre, sous pression régulée de 70 à 120 psi. La pression d'air correcte est la plus basse permettant d'exécuter le travail.

NOTE : Une pression d'air de plus de 120 psi peut endommager l'outil.

L'outil et le raccord doivent être connectés par un raccord permettant de relâcher toute la pression de l'outil lors du débranchement.

AVERTISSEMENT :

Toujours utiliser un raccord déchargeant toute la pression de l'outil lorsque le flexible est déconnecté. L'usage d'un raccord ne relâchant pas l'air comprimé pourrait causer un déclenchement accidentel susceptible d'entraîner des blessures graves.

AVERTISSEMENT :

Ne pas monter sur une échelle ou un échaffaudage et transportant un outil connecté au flexible d'air. Cela pourrait entraîner des blessures graves.

Raccorder l'outil à la source d'air au moyen d'un raccord rapide femelle de 1/4 po. Un raccord rapide femelle de 3/8 po peut au besoin être utilisé si un flexible de 1/4 po n'est pas disponible. Toutefois, pour un fonctionnement optimal de l'outil, un flexible et un raccord de 3/8 po doivent être utilisés.

CHARGEMENT DES CLOUS

Voir les figures 6 et 7.

AVERTISSEMENT :

Le mécanisme d'entraînement de l'outil peut être actionné lors du raccordement à la source d'air. Toujours brancher l'outil à une entrée d'air sous pression avant de charger les clous afin d'éviter des blessures causées par un déclenchement involontaire. Toujours s'assurer que le magasin est vide, au début de chaque séance de travail, avant de raccorder l'outil à la source d'air.

- Raccorder l'outil à la source d'air.
- La tête de l'outil étant dirigée à l'écart de soi, insérer une bande de clous dans le magasin. S'assurer que les clous sont à l'angle indiqué, leur pointe dirigée vers le bas.

AVERTISSEMENT :

Veiller à ne pointer l'outil ni vers soi, ni vers d'autres personnes lors du chargement de clous. L'inobservation de cette consigne peut entraîner des blessures graves.

UTILISATION

- Glisser le poussoir à fond vers l'arrière du magasin. Relâcher le poussoir et le laisser pousser les clous jusqu'au mécanisme d'entraînement. Le poussoir s'arrête lorsqu'il est appuyé contre l'extrémité de la bande de clous.

NOTE : Ne pas laisser le poussoir se rabattre brusquement.

AVERTISSEMENT :

Utiliser exclusivement les clous recommandés pour cet outil (voir le guide des clous). L'usage d'autres clous peut causer un mauvais fonctionnement de l'outil, susceptible d'entraîner des blessures graves.

AVERTISSEMENT :

Ne jamais charger les clous avec la gâchette ou le mécanisme de déclenchement par contact activé. Cela pourrait entraîner des blessures graves.

AVERTISSEMENT :

Utiliser des clous mesurant au moins 2,87 mm (0,113 po) diamètre de la tige. Ne pas respecter cette directive peut faire en sorte que les clous soient expulsés prématurément de l'outil par la rampe. Ne pas utiliser de clous en acier trempé avec des outils pneumatiques. Cela peut user excessivement le corps de la rampe et amener les clous à sortir par l'arrière, ce qui peut causer des blessures graves.

UTILISATION DE LA GÂCHETTE À SÉLECTEUR

Voir les figures 8 et 9.

AVERTISSEMENT :

Ne jamais caler ou bloquer le mécanisme de sûreté de déclenchement par contact pendant que l'outil est en fonctionnement. Cela pourrait entraîner des blessures graves.

Cet outil est expédié de l'usine avec la gâchette en position de **déclenchement par séquence unique**. La gâchette peut également être réglée pour le **déclenchement par contact**.

DÉCLENCHEMENT PAR SÉQUENCE UNIQUE

Le mode de déclenchement par séquence unique permet le placement le plus précis des agrafes.

- Débrancher l'outil de la source d'air.
- Appuyer sur l'axe de pivot de la gâchette.
- Mettre le sélecteur en position A.
- Relâcher l'axe de pivot de la gâchette.

AVERTISSEMENT :

La cloueuse ne fonctionne pas correctement si le sélecteur n'est pas solidement positionné en position A ou B. Toujours s'assurer que le sélecteur est correctement positionné afin d'éviter une éjection inattendue du clou ce qui risquerait d'entraîner des blessures graves.

- Brancher l'outil sur la source d'air.
- Saisir l'outil fermement pour maintenir le contrôle. Placer la tête de l'outil contre la pièce à clouer.
- Appuyer l'outil contre la pièce à clouer pour actionner le dispositif de déclenchement par contact.
- Appuyer à fond sur la gâchette pour planter une agrafe.
- Ne pas empêcher le recul de l'outil lorsque l'agrafe est plantée.
- Toujours retirer son doigt de la gâchette une fois la quantité de clous désirée clouée.

DÉCLENCHEMENT PAR CONTACT

Le déclenchement par contact permet de planter un grand nombre de clous très rapidement.

- Débrancher l'outil de la source d'air.
 - Appuyer sur l'axe de pivot de la gâchette.
 - Mettre le sélecteur en position B.
 - Relâcher l'axe de pivot de la gâchette.
- NOTE :** L'axe de pivot de la gâchette est chargé par ressort et maintenu en position par une languette de verrouillage pour empêcher tout mouvement pendant le fonctionnement.
- Rebrancher l'outil à la source d'air.
 - Saisir l'outil fermement pour maintenir le contrôle.
 - Appuyer sur la gâchette et la maintenir enfoncée. Appuyer l'outil contre la pièce à clouer pour actionner le dispositif de déclenchement par contact et planter un clou.
 - Ne pas empêcher le recul de l'outil lorsque le clou est planté.
 - Toujours retirer son doigt de la gâchette une fois la quantité de clous désirée clouée.

NOTE : En mode de déclenchement par contact, les clous peuvent également être plantés en appuyant la tête de l'outil sur la pièce et en pressant la gâchette.

AVERTISSEMENT :

Durant l'utilisation normale de l'outil, un recul se produit lorsqu'un clou est planté. Ce recul est normal. Ne pas essayer de l'empêcher en maintenant l'outil contre la pièce à clouer. Cela pourrait causer l'éjection d'un second clou. Tenir la poignée fermement, laisser l'outil exécuter le travail et ne jamais placer l'autre main sur le dessus de l'outil ou près de l'échappement. Le non respect de cette mise en garde peut entraîner des blessures graves.

SÛRETÉ DE DÉCLENCHEMENT À VIDE

Lorsque le magasin est presque complètement vide, la sûreté de déclenchement à vide empêche le fonctionnement de l'outil.

Pour continuer le travail, recharger la cloueuse.

UTILISATION

RÉGLAGE DE LA PRESSION D'AIR

Le réglage de pression d'air dépend de la taille des clous et de la dureté du matériau à clouer.

Commencer par tester la profondeur d'enfoncement en plantant l'un des clous à utiliser dans un morceau du même bois que la pièce à clouer.

Pour le test, utiliser une pression de 90 à 95 psi. Augmenter ou réduire la pression d'air de manière à obtenir le réglage minimum permettant d'exécuter le travail uniformément.

Il est possible d'obtenir la profondeur désirée simplement en réglant la pression d'air. Si un réglage plus fin est nécessaire, utiliser le réglage de profondeur d'enfoncement de l'outil.

RÉGLAGE DE PROFONDEUR D'ENFONCEMENT

Voir la figure 10.

La profondeur d'enfoncement des clous peut être ajustée. Il est recommandé de faire un essai sur une chute afin de déterminer la profondeur requise pour l'application.

Pour déterminer la profondeur, régler d'abord la pression d'air, puis planter un clou. Pour obtenir la profondeur nécessaire, utiliser le réglage de profondeur d'enfoncement de l'outil.

- Débrancher l'outil de la source d'air.
- Tourner le sélecteur de profondeur vers la droite ou la gauche pour accroître ou réduire la profondeur.
- Rebrancher l'outil à la source d'air.
- Planter un clou d'essai après chaque réglage, jusqu'à ce que la profondeur voulue soit obtenue.

RÉGLAGE DU MAGASIN

Voir la figure 11.

ATTENTION :

Le dispositif de réglage facilite l'alignement des clous à l'intérieur du magasin. Toujours s'assurer que le dispositif est réglé pour la taille des clous utilisés. Un mauvais réglage peut entraîner des coincements ou des problèmes dans l'alimentation en pièces de fixation, ou faire en sorte que des clous sortent de l'outil à des angles irréguliers, ce qui peut causer des blessures graves.

Le réglage de magasin coulissant, situé sur le côté droit de l'outil, permet à l'opérateur de changer rapidement de taille de clous.

Pour régler le magasin pour des clous de petite taille (0,113 à 0,120 po) :

- Débrancher l'outil de la source d'air.
- Appuyer sur le dispositif de réglage et le pousser vers l'avant.
- Rebrancher l'outil à la source d'air.

Pour régler le magasin pour des clous de grande taille (0,131 à 0,162 po), pousser le dispositif de réglage vers l'arrière.

ENFONCER LES CLOUS À ANGLE

Voir les figures 12.

Avant d'enfoncer des clous à angle, s'assurer que l'outil n'est pas dirigé vers vous ou vers d'autres personnes.

Avant d'enfoncer des clous à angle, s'assurer que l'outil se trouve dans la bonne position. Enfoncer le clou à un angle trop abrupt peut :

- faire en sorte que le clou ne pénètre pas dans la pièce à travailler ;
- faire ricocher le clou ;
- fissurer ou faire éclater la pièce à travailler ; le clou peut alors ricocher sur l'utilisateur.

Ne jamais enfoncer un clou en inclinant l'outil vers l'avant. Le pièce de fixation pourrait manquer la surface à travailler ou ricocher sur la surface et provoquer des blessures graves.

AVERTISSEMENT :

Débrancher l'outil de la source d'air avant de retirer ou débloquer un clou. Ne pas prendre cette précaution peut entraîner des blessures graves.

RETRAIT DE CLOUS DE L'OUTIL

Voir la figure 13.

- Débrancher l'outil de la source d'air.
- Pour retirer une bande de clous de l'outil, appuyer sur le bouton de libération du poussoir. Une fois dégagé, le piston remonte.

NOTE : Toujours garder les doigts à l'écart du guide de clous du magasin, pour éviter des blessures en cas de désengagement imprévu du poussoir.

- Appuyer sur la languette de butée se trouvant près de l'extrémité du magasin et glisser la bande de clous par-dessus cette languette.
- Retrait de la bande de clous de l'outil.

AVERTISSEMENT :

Débrancher l'outil de la source d'air avant de retirer ou débloquer un clou. Ne pas prendre cette précaution peut entraîner des blessures graves.

RETRAIT DE CLOUS DE L'OUTIL

Voir la figure 14.

- Débrancher l'outil de la source d'air.
- Pour retirer une bande de clous de l'outil, appuyer sur le bouton de libération du poussoir. Une fois dégagé, le piston remonte.

UTILISATION

NOTE : Toujours garder les doigts à l'écart du guide de clous du magasin, pour éviter des blessures en cas de désengagement imprévu du poussoir.

- Appuyer sur la languette de butée se trouvant près de l'extrémité du magasin et glisser la bande de clous par-dessus cette languette.
- Retrait de la bande de clous de l'outil.

DÉBLOCAGE D'UN CLOU

Voir la figure 14.

Si un clou ou une agrafe se bloque dans l'outil, débrancher le flexible d'air et garder l'outil pointé à l'écart de soi pour le débloquer.

- Débrancher l'outil de la source d'air.
- Retirer les clous de l'outil.
- Insérer un tournevis Phillips no. 2 dans le mécanisme d'entraînement.
- Tapoter doucement le tournevis avec un marteau. Le tournevis pousser la lame de percussion vers l'arrière, pour libérer le clou bloqué.

■ Au besoin, utiliser une pince à bec fin pour retirer le clou. Au besoin, il est possible d'utiliser la coulisse de débouillage pour dégager le clou. Pour utiliser la coulisse de débouillage :

- Débrancher l'outil de la source d'air.
- Retirer les clous de l'outil.
- Desserrer la vis à oreilles en la tournant dans le sens antihoraire.
- Retirer la vis à oreilles en s'assurant de ne pas perdre la petite rondelle concave.
- Tirer la coulisse de débouillage vers l'arrière pour retirer les clous coincés ou courbés.
- Remettre la coulisse de débouillage en place, en alignant les trous de la vis à oreilles avec les trous de la coulisse.
- Remplacer la rondelle concave tel qu'indiqué.
- Resserrer la vis à oreilles en s'assurant de la fixer solidement.

NOTE : La coulisse de débouillage doit toujours être en place au moment d'utiliser l'outil. Au moment d'utiliser celui-ci, s'assurer périodiquement que l'écrou à oreilles de tension est fixé solidement.

ENTRETIEN

AVERTISSEMENT :

Utiliser exclusivement des pièces RIDGID d'origine pour les réparations. L'usage de toute autre pièce pourrait créer une situation dangereuse ou endommager l'outil.

AVERTISSEMENT :

Toujours porter des lunettes de sécurité munies d'écrans latéraux lors de l'utilisation d'outils motorisés ou des opérations de nettoyage à l'air comprimé. Si une opération dégage de la poussière, porter également un masque anti-poussière.

AVERTISSEMENT :

Débrancher l'outil de la source d'air avant tout entretien. Ne pas prendre cette précaution peut entraîner des blessures graves.

ENTRETIEN GÉNÉRAL

Éviter d'utiliser des solvants pour le nettoyage des pièces en plastique. La plupart des matières plastiques peuvent être endommagées par divers types de solvants du commerce. Utiliser un chiffon propre pour éliminer la saleté, la poussière, l'huile, la graisse, etc.

AVERTISSEMENT :

Ne jamais laisser de liquides tels que le fluide de freins, l'essence, les produits à base de pétrole, les huiles pénétrantes, etc., entrer en contact avec les pièces en plastique. Les produits chimiques peuvent endommager, affaiblir ou détruire le plastique, ce qui peut entraîner des blessures graves.

UTILISATION PAR TEMPS FROID

Lorsque l'outil est utilisé par temps froid, l'humidité contenue dans le flexible d'air peut geler, empêchant le fonctionnement de l'outil. Par temps froid, nous recommandons d'utiliser un lubrifiant pour outils pneumatiques ou un antigel permanent (glycoléthylène).

ATTENTION :

Ne pas entreposer les outils dans des endroits froids pour éviter la formation de givre ou de glace sur les soupapes et mécanismes, afin de ne pas risquer une défaillance de l'outil.

NOTE : Certains produits d'assèchement de flexibles d'air sont nuisibles aux joints et joints toriques. Ne pas utiliser de tels produits sans s'être assuré de leur compatibilité.

ENTRETIEN

PRESSION ET VOLUME D'AIR

Le volume d'air est aussi important que la pression. Le volume d'air parvenant à l'outil peut être insuffisant, du fait de flexibles et raccords de trop petit diamètre ou de la présence de saleté et d'eau dans le système. L'obstruction du circuit d'air empêche l'outil de recevoir un volume suffisant, même si l'indication de pression du manomètre est élevée. Il en résulte un ralentissement du fonctionnement ou une insuffisance de puissance. Avant d'examiner un outil présentant ces symptômes, examiner l'alimentation d'air, jusqu'à la source en vue de connecteurs obstrués, d'eau dans les points bas et de tout ce qui pourrait empêcher qu'un volume d'air suffisant parvienne à l'outil.

LISTE DE CONTRÔLE QUOTIDIEN

Voir les figures 15 - 17.

- Débrancher l'alimentation d'air de l'outil et retirer toutes les agrafes.
 - Vérifier toutes les vis et tiges, et tous les écrous et boulons de l'outil. Resserrer au besoin toute pièce à l'aide d'une clé de dimension appropriée.
 - La coulisse de débouillage doit toujours être en place au moment d'utiliser l'outil. Pendant l'utilisation de l'outil, s'assurer périodiquement que l'écrou à oreilles de tension est fixé solidement. Continuer de vérifier la vis à oreilles à intervalles réguliers pendant chaque période de travail.
 - Appuyer la surface de contact sur la pièce à clouer afin d'en vérifier le mouvement.
 - Lorsque la surface de contact est enfoncée, appuyer sur la gâchette. La gâchette devrait avoir un mouvement fluide.
 - Brancher l'outil non chargé à une alimentation d'air appropriée (70 psi).
- Positionner le bouton de sélection à la position A (Déclenchement par séquence unique), tel qu'indiqué à la figure 16. L'outil ne devrait pas perdre d'air.
 - Désengager le dispositif de verrouillage de tir à vide (s'il y a lieu) et appuyer répétitivement la surface de contact sur une pièce sans appuyer sur la gâchette. L'outil ne doit pas fonctionner.
 - Pointer l'outil vers le sol et loin de soi, sans que la surface de contact ne touche la pièce, et appuyer répétitivement sur la gâchette. Tenir la gâchette dans cette position pendant au moins 5 secondes. L'outil ne doit pas fonctionner.
 - Appuyer la surface de contact fermement sur la pièce. Appuyer sur la gâchette. L'outil doit fonctionner.
 - En tenant la surface de contact enfoncée, relâcher la gâchette. Le poinçon devrait retourner à sa position initiale.
 - Positionner le bouton de sélection à la position B (Déclenchement par contact), tel qu'indiqué à la figure 17.
 - Pointer l'outil vers le sol et loin de soi, sans que la surface de contact ne touche la pièce, et appuyer répétitivement sur la gâchette. Tenir la gâchette dans cette position pendant au moins 5 secondes. L'outil ne doit pas fonctionner.
 - Appuyer la surface de contact sur une pièce en tenant la gâchette enfoncée. L'outil doit fonctionner.
 - Si l'outil satisfait à toutes les exigences de cette liste de vérification, il peut être utilisé. Régler la gâchette de l'outil de la manière qui convient le mieux aux besoins du moment. Charger les agrafes qui conviennent le mieux au travail à effectuer.
 - Régler la profondeur de clouage selon les instructions de la section "Régler la profondeur de clouage" du manuel. Suivre cette liste de contrôle avant chaque utilisation quotidienne ou si l'outil est échappé ou endommagé de quelque manière que ce soit.

ACCESSOIRES

Pour la commande de pièces et kits d'entretien, appeler le 1-866-539-1710.

Kit d'entretien du mécanisme d'entraînement	079005001101
Kit de remise à neuf.....	079002001093
Ensemble huile et clé	079002001098

AVERTISSEMENT :

Les outils et accessoires disponibles actuellement pour cet outil sont listés ci-dessus. Ne pas utiliser d'outils ou accessoires non recommandés pour cet outil. L'utilisation de pièces et accessoires non recommandés peut entraîner des blessures graves.

DÉPANNAGE

PROBLÈME	CAUSE POSSIBLE	SOLUTION
Fuite d'air dans le haut de l'outil ou près de la gâchette	Vis desserrées Joints ou joints toriques usés	Serrer les vis Installer le kit de remise à neuf
Fuite d'air au bas de l'outil	Vis desserrées Joints toriques ou butoir usés	Serrer les vis Installer le kit de remise à neuf
L'outil est inopérant ou faible	Alimentation pneumatique insuffisante Lubrification insuffisante Joints toriques ou butoir usés	Vérifier que l'alimentation en air est suffisante Lubrifier l'outil Installer le kit de remise à neuf
L'outil se bloque fréquemment	Clous de type incorrects Clous endommagés Vis du magasin ou de la tête desserrées Magasin encrassé Mécanisme d'entraînement usé ou endommagé	S'assurer que les clous sont de taille correcte Remplacer les clous Serrer les vis Nettoyer le magasin Installer le kit d'entretien du mécanisme d'entraînement

**FIGURES (ILLUSTRATIONS) COMMENÇANT SUR
17 DE PAGE APRÈS LA SECTION ESPAGNOL.**

GARANTIE

GARANTIE LIMITÉE DE SERVICE DE 3 ANS SUR LES OUTILS PNEUMATIQUES RIDGID®

Une preuve d'achat doit être présentée pour toute demande de réparation sous garantie.

Ce produit est fabriqué par One World Technologies, Inc., sous licence de marque de RIDGID, Inc. Toutes les correspondances relatives à la garantie doivent être adressées à One World Technologies, Inc. à l'intention de : Service technique des outils pneumatiques RIDGID, au 1-866-539-1710 (appel gratuit).

POLITIQUE DE SATISFACTION ASSURÉE DE 90 JOURS

En cas de dissatisfaction pour quelque raison que ce soit au cours des 90 jours suivant la date d'achat, cet outil pneumatique RIDGID® pourra être retourné au point de vente pour échange ou remboursement intégral. Pour obtenir un outil en échange, l'équipement original devra être retourné, dans son emballage d'origine, accompagné d'une preuve d'achat. L'outil fourni en échange sera couvert par la garantie limitée pour le restant de la période de validité de 3 ANS.

CE QUI EST COUVERT PAR LA GARANTIE LIMITÉE DE 3 ANS

Cette garantie couvre tous les vices de matériaux et de fabrication des outils pneumatiques RIDGID®, pour une période de trois ans, à compter de la date d'achat. Les garanties d'autres produits RIDGID® peuvent être différentes.

RÉPARATIONS SOUS GARANTIE

Pour toute réparation sous garantie, cet outil RIDGID® devra être retourné, en port payé, à un centre de réparations RIDGID® pour outils pneumatiques. L'adresse du centre de réparations agréé le plus proche peut être obtenue en appelant le 1-866-539-1710 (appel gratuit), ou en accédant au site Internet RIDGID® : www.ridgid.com. Le reçu de vente daté doit être présenté lors de toute demande de réparation sous garantie. Le centre de réparations agréé corrigera tout défaut de fabrication et réparera ou remplacera (à notre choix) gratuitement, toute pièce défectueuse.

CE QUI N'EST PAS COUVERT

La garantie ne couvre que l'acheteur au détail original et n'est pas transférable. Cette garantie ne couvre pas les problèmes de fonctionnement, défaillances ou autres défauts résultant d'un usage incorrect ou abusif, de la négligence, de la modification, de l'altération ou de réparations effectuées par quiconque autre qu'un centre de réparations RIDGID® agréé. Les articles de consommation fournis avec cet outil, tels que, mais sans y être limité, les clous, l'huile et les lunettes de sécurité ne sont pas couverts.

RIDGID, INC. ET ONE WORLD TECHNOLOGIES, INC. NE FONT AUCUNE AUTRE GARANTIE, REPRÉSENTATION OU PROMESSE CONCERNANT LA QUALITÉ ET LES PERFORMANCES DE CET OUTIL PNEUMATIQUE, AUTRES QUE CELLES EXPRESSÉMENT INDIQUÉES DANS LE PRÉSENT DOCUMENT.

AUTRES LIMITATIONS

Sous réserve que les lois en vigueur le permettent, toutes les garanties implicites sont exclues, y compris les GARANTIES DE VALEUR MARCHANDE ou D'ADÉQUATION À UN USAGE PARTICULIER. Toutes les garanties implicites, y compris les garanties de valeur marchande ou d'adéquation à un usage particulier ne pouvant pas être exclues en raison des lois en vigueur, sont limitées à une durée de trois ans, à compter de la date d'achat. One World Technologies, Inc. et RIDGID, Inc. déclinent toute responsabilité pour les dommages directs ou indirects. Certains états et provinces ne permettant pas de limitation sur la durée des garanties implicites, et / ou l'exclusion ou la limitation des dommages directs ou indirects, les restrictions ci-dessus peuvent ne pas être applicables. Cette garantie donne au consommateur des droits spécifiques, et celui-ci peut bénéficier d'autres droits, qui varient selon les états ou provinces.

One World Technologies, Inc.

P.O. Box 35, Hwy. 8

Pickens, SC 29671, États-Unis

REGLAS DE SEGURIDAD GENERALES



PELIGRO :

LEA Y COMPRENDA LAS ETIQUETAS DE LAS HERRAMIENTAS Y EL MANUAL. La inobservancia de los avisos de advertencia podría causar la MUERTE o LESIONES SERIAS.

GUARDE ESTAS INSTRUCCIONES

ÁREA DE TRABAJO

- **Mantenga limpia y bien iluminada el área de trabajo.** Una mesa de trabajo mal despejada y una mala iluminación son causas comunes de accidentes.
- **No utilice herramientas motorizadas en atmósferas explosivas, como las existentes alrededor de líquidos, gases y polvos inflamables.** Las herramientas eléctricas generan chispas que pueden encender el polvo y los vapores inflamables.
- **Mantenga alejados a los circunstantes, niños y demás presentes al utilizar una herramienta eléctrica.** Toda distracción puede causar la pérdida del control de la herramienta.

SEGURIDAD PERSONAL

- **Al cargar, utilizar y dar servicio a esta herramienta, el operador y demás personas SIEMPRE deben llevar puesta protección ocular que cumpla con las especificaciones ANSI y ofrezca protección contra partículas que salgan disparadas del FRENTE y de los LADOS.** Se requiere protección ocular como protección contra sujetadores y desechos que salgan disparados, los cuales pueden causar lesiones oculares serias.
- **Tanto el patrón como el operador deben asegurarse de que se use protección ocular adecuada.** Recomendamos la careta protectora de visión amplia encima de los anteojos normales o de los anteojos de seguridad que ofrecen protección frontal y lateral contra partículas que salen disparadas. Siempre póngase protección ocular con la marca de cumplimiento de la norma ANSI Z87.1.
- **En algunos entornos se requiere protección adicional.** Por ejemplo, en el área de trabajo puede haber exposición a un nivel de ruido que puede dañar el oído. El patrón y el operador deben asegurarse de contar con toda la protección auditiva necesaria y de que sea usada por el operador mismo y demás personas presentes en el área de trabajo. En algunos entornos se requiere el uso de equipo de protección para la cabeza. Cuando se requiera, el patrón y el operador deben asegurarse de que la protección usada para la cabeza cumpla con la norma ANSI Z89.1-1997.
- **Permanezca alerta, preste atención a lo que esté haciendo y aplique el sentido común al utilizar herramientas eléctricas. No utilice la herramienta si está cansado o se encuentra bajo los efectos de alguna droga, alcohol o medicamento.** Un momento de inatención al utilizar una herramienta eléctrica puede causar lesiones corporales serias.

- **Vístase adecuadamente. No vista ropas holgadas ni joyas. Recójase el cabello si está largo. Mantenga el cabello, la ropa y los guantes alejados de las piezas móviles.** Las ropas holgadas, las joyas y el cabello largo pueden engancharse en las piezas móviles.
- **Para evitar disparar accidentalmente la herramienta, mantenga los dedos lejos del gatillo cuando no esté clavando.**
- **No estire el cuerpo para alcanzar mayor distancia. Mantenga una postura firme y buen equilibrio en todo momento.** La postura firme y el buen equilibrio permiten un mejor control de la herramienta en situaciones inesperadas.
- **Use equipo de seguridad. Siempre póngase protección ocular.** Cuando lo exijan las circunstancias debe ponerse careta contra el polvo, zapatos de seguridad antiderrapantes, casco o protección auditiva.
- **No utilice la unidad al estar en una escalera o en un soporte inestable.** Una postura estable sobre una superficie sólida permite un mejor control de la herramienta en situaciones inesperadas.

EMPLEO Y CUIDADO DE LA HERRAMIENTA

- **No fuerce la herramienta. Utilice la herramienta adecuada al trabajo.** La herramienta adecuada efectúa el trabajo mejor y de manera más segura, si además se maneja a la velocidad para la que está diseñada.
- **No utilice la herramienta si no funciona correctamente el gatillo.** Una herramienta que no pueda controlarse con el gatillo es peligrosa y debe repararse.
- **Verifique con frecuencia el funcionamiento del mecanismo del disparador de contacto.** No use la herramienta si no está funcionando correctamente el mecanismo del disparador de contacto, ya que puede causarse por accidente el disparo de un sujetador. No interfiera en el funcionamiento normal del mecanismo del disparador de contacto.
- **Guarde las herramientas que no estén en uso fuera del alcance de los niños y de toda persona no capacitada en el uso de las mismas.** Las herramientas son peligrosas en manos de personas no capacitadas en el uso de las mismas.
- **Dé mantenimiento con cuidado a las herramientas.** Siga todas las instrucciones de mantenimiento. Las herramientas que han recibido el debido mantenimiento se controlan con mayor facilidad.
- **Revise para ver si hay desalineación o atoramiento de piezas móviles, ruptura de piezas o toda otra condición que pueda afectar el funcionamiento de la herramienta. Si se daña la herramienta, llévela a servicio antes de volver a utilizarla.** Numerosos accidentes son causados por herramientas mal cuidadas.
- **Sólo utilice los sujetadores (clavos o grapas, según sea el caso) recomendados para cada modelo en particular.**
- **Mantenga la herramienta y el mango secos, limpios y sin aceite ni grasa.** Siempre utilice un paño limpio para la limpieza de la unidad. Nunca utilice fluidos para frenos, gasolina, productos a base de petróleo ni solventes fuertes para limpiar la herramienta. Con el cumplimiento de esta regla se reduce el riesgo de una pérdida de control y el deterioro del alojamiento de plástico de la unidad.

REGLAS DE SEGURIDAD GENERALES

SERVICIO

- **El servicio de la herramienta sólo debe ser efectuado por personal de reparación calificado.** Todo servicio o mantenimiento efectuado por personal no calificado puede significar un riesgo de lesiones.

- **Al dar servicio a una herramienta, sólo utilice piezas de repuesto idénticas. Siga las instrucciones señaladas en la sección “Mantenimiento” de este manual.** El empleo de piezas no autorizadas o el incumplimiento de las instrucciones de mantenimiento puede significar un riesgo de lesiones.

REGLAS DE SEGURIDAD ESPECÍFICAS

- **Familiarícese con su herramienta eléctrica.** Lea cuidadosamente el manual del operador. Aprenda sus usos y limitaciones, así como los posibles peligros específicos de esta herramienta. Con el cumplimiento de esta regla se reduce el riesgo de una descarga eléctrica, incendio o lesión seria.
- **Siempre use gafas de seguridad con protección lateral.** Los anteojos comunes sólo tienen lentes resistentes a los impactos. NO son anteojos de seguridad. Con el cumplimiento de esta regla se reduce el riesgo de posibles lesiones oculares.
- **Protéjase los pulmones.** Use una careta o mascarilla contra el polvo si la operación genera mucho polvo. Con el cumplimiento de esta regla se reduce el riesgo de lesiones corporales serias.
- **Protéjase los oídos.** Durante períodos prolongados de utilización de la unidad póngase protección para los oídos. Con el cumplimiento de esta regla se reduce el riesgo de lesiones corporales serias.
- **Asegúrese de que la manguera no esté obstruida ni enganchada.** Si la manguera se enreda o engancha puede causar una pérdida del equilibrio o postura y puede dañarse.
- **Solamente utilice esta herramienta para el propósito especificado.** No dispare clavos al aire.
- **No introduzca clavos cerca del borde del material.** La pieza de trabajo puede partirse y causar que el clavo rebote y lesione a un compañero de trabajo. Tenga presente que el clavo puede seguir la fibra de la madera y salir inesperadamente por un lado de la pieza de trabajo.
- **Mantenga las manos y todas las partes del cuerpo lejos del área de trabajo inmediata.** Sujete firmemente la pieza de trabajo con prensas de mano cuando sea necesario para proteger las manos y el cuerpo de todo posible peligro. Asegúrese de que la pieza de trabajo esté debidamente asegurada antes de presionar la clavadora contra el material. El disparador de contacto puede causar un movimiento inesperado de la pieza de trabajo.
- **Mantenga la cara y las demás partes del cuerpo lejos de la tapa de la herramienta al trabajar en espacios limitados.** En una retracción súbita la herramienta puede golpear el cuerpo, especialmente al clavar en material duro o denso.
- **Use la herramienta neumática solamente para el propósito para el que fue diseñada.**

- **Nunca utilice esta herramienta de ninguna forma que pueda dirigir un sujetador (clavo o grapa, según sea el caso) hacia ninguna otra cosa que no sea la pieza de trabajo.**
- **No use la herramienta como martillo.**
- **Siempre porte la herramienta por el mango.** Nunca porte la herramienta por la manguera de aire.
- **No altere ni modifique esta herramienta con respecto al diseño o funcionamiento original sin la aprobación del fabricante.**
- **Siempre tenga presente que el uso y manejo indebidos de esta herramienta puede causarles lesiones a usted y a otras personas.**
- **Nunca sujete con prensa o cinta adhesiva el gatillo ni el disparador de contacto en la posición de accionamiento.**
- **Nunca deje desatendida ninguna herramienta con la manguera de aire conectada.**
- **No utilice esta herramienta si no tiene una etiqueta de advertencia.**
- **No continúe usando ninguna herramienta que tenga fugas de aire o que no funcione correctamente.**

FUNCIONAMIENTO

- **Siempre suponga que la herramienta contiene sujetadores (clavos o grapas, según sea el caso).**
- **No traslade la herramienta de un lugar a otro con el dedo en el gatillo.** Podría producirse un disparo accidental.
- **Siempre maneje con cuidado la herramienta:**
 - Respete la herramienta como un elemento de trabajo.
 - Nunca participe en jugueteos.
 - Nunca tire del gatillo a menos que la punta de la herramienta esté dirigida hacia la superficie de trabajo.
 - Mantenga a las demás personas a una distancia segura de la herramienta mientras esté utilizándose ésta ya que puede ocurrir un accionamiento accidental de la misma, y posibles lesiones.
- **Es importante el método de disparo elegido. Estudie el manual, en el cual se describen las diferentes formas de disparar.**
- **No apunte la herramienta hacia usted mismo ni a ninguna otra persona, ya sea que contenga sujetadores (clavos o grapas, según sea el caso) o no.**

REGLAS DE SEGURIDAD ESPECÍFICAS

- No accione la herramienta a menos que tenga la intención de introducir un sujetador (clavo o grapa, según sea el caso) en la pieza de trabajo.
- Mantenga las manos y el resto del cuerpo lejos del área de la herramienta por donde se dispara el sujetador. El disparador de contacto puede rebotar después de la retracción normal al introducirse un sujetador (clavo o grapa, según sea el caso), debido a lo cual puede dispararse por accidente un segundo sujetador y causar posibles lesiones.
- No introduzca sujetadores encima de otros, ni con la herramienta a un ángulo excesivamente pronunciado, ya que esto puede causar la desviación de los sujetadores y con ello posibles lesiones.
- No introduzca sujetadores cerca del borde de la pieza de trabajo, ya que puede partirse la madera con lo cual podría desviarse el sujetador y causar lesiones.

SUMINISTRO DE AIRE Y CONEXIONES

- No utilice oxígeno, gases combustibles ni gases embotellados como fuente de energía para esta herramienta, ya que puede explotar y causar lesiones o la muerte.
- No use compresores de aire que puedan excederse de 200 P.S.I. de presión ya que la herramienta puede estallar y causar lesiones.
- El conector de la herramienta debe no conservar presión una vez desconectado el suministro de aire. Si se utiliza una conexión inadecuada, la herramienta puede permanecer cargada de aire después de desconectarla del suministro de aire y por lo tanto con capacidad de impulsar un sujetador (clavo o grapa, según sea el caso) y de causar lesiones.

- No oprima el gatillo ni el disparador de contacto mientras la herramienta esté conectada al suministro de aire, ya que puede dispararse y causar lesiones.
- Siempre desconecte el suministro de aire:
 - Antes de efectuar ajustes
 - Al dar servicio a la herramienta
 - Al despejar un atoramiento
 - Cuando no está usándose la unidad
 - Al trasladarse a un área de trabajo diferente, ya que puede accionarse accidentalmente la herramienta y causar lesiones.

CÓMO CARGAR LA HERRAMIENTA

- No cargue los sujetadores en la herramienta cuando esté activado cualquiera de los controles de operación de la misma.

Al cargar la herramienta:




- Nunca coloque las manos ni ninguna parte del cuerpo en el área de la herramienta donde sale disparado el sujetador (clavo o grapa, según sea el caso).
- Nunca apunte la herramienta a nadie.
- No tire del gatillo ni oprima el disparador de contacto, ya que puede accionarse accidentalmente la herramienta y causar lesiones.

GUARDE ESTAS INSTRUCCIONES.







- Consúltelas con frecuencia y empléelas para instruir a otras personas que puedan utilizar esta herramienta. Si presta a alguien esta herramienta, facilítele también las instrucciones.

SÍMBOLOS

Las siguientes palabras de señalización y sus significados tienen el objeto de explicar los niveles de riesgo relacionados con este producto.

SÍMBOLO	SEÑAL	SIGNIFICADO
	PELIGRO:	Indica una situación peligrosa inminente, la cual, si no se evita, causará la muerte o lesiones serias.
	ADVERTENCIA:	Indica una situación peligrosa posible, la cual, si no se evita, podría causar la muerte o lesiones serias.
	PRECAUCIÓN:	Indica una situación peligrosa posible, la cual, si no se evita, podría causar lesiones menores o leves.
	PRECAUCIÓN:	(Sin el símbolo de alerta de seguridad) Indica una situación que puede producir daños materiales.

Es posible que se empleen en esta herramienta algunos de los siguientes símbolos. Le suplicamos estudiarlos y aprender su significado. Una correcta interpretación de estos símbolos le permitirá utilizar mejor y de manera más segura la herramienta.

SYMBOL	NAME	DESIGNATION/EXPLANATION
	Alerta de seguridad	Indica un peligro posible de lesiones personales.
	Lea el manual del operador	Para reducir el riesgo de lesiones, el usuario debe leer y comprender el manual del operador antes de usar este producto.
	Protección ocular	Al utilizar este producto, póngase siempre gafas de seguridad con protección lateral, y en la medida en que sea necesario, utilice un protector para toda la cara.
	Protección para los ojos, los oídos y la cabeza	Siempre póngase otro equipo de protección personal cuando sea necesario, como protección auditiva y casco.
	Mantenga lejos las manos	Mantenga las manos y el resto del cuerpo lejos del área de la herramienta por donde sale disparado el sujetador.
	Superficie caliente	Para reducir el riesgo de lesiones corporales o daños materiales evite tocar toda superficie caliente.

SERVICIO

El servicio de la herramienta requiere extremo cuidado y conocimientos técnicos, por lo cual sólo debe ser efectuado por un técnico de servicio calificado. Para dar servicio a la herramienta, le sugerimos llevarla al **CENTRO DE SERVICIO AUTORIZADO** de su preferencia para que la reparen. Al dar servicio a la unidad, sólo utilice piezas de repuesto idénticas.



ADVERTENCIA:

Para evitar lesiones corporales serias, no intente utilizar este producto sin haber leído y comprendido totalmente el manual del operador. Si no comprende los avisos de advertencia y las instrucciones del manual del operador, no utilice este producto. Llame al departamento de atención al consumidor de RIDGID®, y le brindaremos asistencia.

ADVERTENCIA:



Cualquier herramienta eléctrica en funcionamiento puede lanzar objetos hacia los ojos, lo cual puede causar serios daños a los mismos. Antes de iniciar la operación de herramientas de corriente siempre utilice gafas de seguridad, gafas de seguridad con protección lateral, y en la medida en que sea necesario, un protector para toda la cara. Recomendamos la careta protectora de visión amplia encima de los anteojos normales, o los anteojos protectores estándar con protección lateral. Siempre póngase protección ocular con la marca de cumplimiento de la norma ANSI Z87.1

GUARDE ESTAS INSTRUCCIONES

GLOSARIO DE TÉRMINOS

Activar (los controles de accionamiento)

Es mover un control de accionamiento de manera que quede en una posición en la cual se accione la herramienta o cumpla con un requisito necesario para accionar la misma.

Accionar (la herramienta)

Es producir el movimiento de los componentes de la herramienta específicos para introducir un sujetador (clavo o grapa, según sea el caso).

Sistema de accionamiento

Es el gatillo, el disparador de contacto o cualquier otro control de accionamiento, empleado(s) por separado o en alguna combinación o secuencia, para accionar la herramienta.

- **Accionamiento secuencial sencillo**

Es un sistema de accionamiento en el cual hay más de un control de accionamiento y éstos deben ser activados en una secuencia específica para accionar la herramienta. Puede ocurrir un accionamiento adicional cuando un control de accionamiento específico, que no sea el disparador de contacto, se suelta y se vuelve a activar.

- **Accionamiento por contacto**

Es un sistema de accionamiento en el cual hay más de un control de accionamiento y éstos pueden ser activados en cualquier secuencia para accionar la herramienta. Puede ocurrir un accionamiento adicional cuando cualquier control de accionamiento se suelta y se vuelve a activar.

Conexión de entrada de aire

Refiriéndose a herramientas neumáticas, es la abertura a la cual se conecta el suministro de aire comprimido, normalmente por medio de un conector roscado.

Sujetador

Es una grapa, clavo, puntilla o cualquier otra pieza de unión diseñada y fabricada para utilizarse en las herramientas de este tipo.

Atoramiento

Es una obstrucción en las zonas de alimentación o introducción de sujetadores (clavos o grapas) de la herramienta.

Presión de aire máxima

Es la presión máxima permitida del aire comprimido, según las especificaciones del fabricante para la utilización de una herramienta.

Control de accionamiento

Es un control que, por separado o como parte de un sistema de accionamiento de una herramienta, sirve para accionarla.

Gatillo

Es un control de accionamiento de una herramienta el cual maneja con los dedos el operador.

Pieza de trabajo

Es el objeto específico en el cual se introduce un sujetador (clavo o grapa, según sea el caso) con una herramienta.

Disparador de contacto

Es un elemento de control de accionamiento o un conjunto de tales elementos, el cual es activado al tocar el material en el que va a introducirse el sujetador.

CARACTERÍSTICAS

ESPECIFICACIONES DEL PRODUCTO

Presión de funcionamiento..... De 70 a 120 psi
Capacidad del alimentador De 60 a 70 clavos
Diámetro del tallo mínima..... 0,113 pulg.
Consumo de aire 4,0 litros (0,14 pies³)/ciclo a 100 psi
Entrada de aire 1/4 pulg. NPT

Nivel de potencia ponderado del impulso
de sonido..... 103 dBA
Nivel de presión de sonido de la emisión 90 dBA
Vibración..... 4,49 m/s²
Peso 3,72 kg (8,2 lb.)

FAMILIARÍCESE CON LA CLAVADORA DE ENTRAMAR

Vea la figura 1.

Para usar este producto con la debida seguridad se debe comprender la información indicada en la herramienta misma y en este manual, y se debe comprender también el trabajo que intenta realizar. Antes de usar este producto, familiarícese con todas las características de funcionamiento y normas de seguridad del mismo.

ESCAPE AJUSTABLE

El escape puede ajustarse a una variedad de posiciones, según las preferencias del operador.

AJUSTE DE LA PROFUNDIDAD DE INTRODUCCIÓN

El ajuste de la profundidad de introducción no requiere herramientas y permite al operador ajustar con precisión la profundidad de introducción del sujetador.

SEGURO DE DISPARO EN SECO

El seguro de disparo en seco impide el accionamiento de la herramienta cuando hay pocos sujetadores en la herramienta, con el fin de evitar faltar clavos en el patrón de clavado y de prolongar la vida de servicio del motor.

FILTRO DE AIRE EN EL MANGO

El filtro de aire en el mango se limpia automáticamente e impide la entrada de desechos para prolongar la vida de servicio de la herramienta.

RETÉN DE PISTÓN INTERNO

El retén interno del pistón permite generar una fuerza de introducción constante.

DESLIZADOR PARA DESPEJAR ATASCOS

El deslizador para despejar atascos ofrece al operador un rápido acceso al área del cargador más cercana a la punta de la herramienta para despejar atascos poco frecuentes.

AJUSTE DEL ALIMENTADOR

La corredera especial del alimentador está diseñada para dar acomodo a una gran variedad de sujetadores. El ajuste del alimentador, situado en el lado derecho de la herramienta, permite al operador cambiar rápidamente a otro tamaño de clavos.

SILENCIADOR

El silenciador sirve para reducir el ruido durante la utilización de la herramienta.

ALMOHADILLA PROTECTORA

La almohadilla protectora evita dañar y marcar las maderas suaves con la herramienta.

CONECTOR GIRATORIO RÁPIDO

El conector giratorio rápido impide enredar la manguera.

GANCHO PARA VIGAS

La herramienta puede colgarse de una viga cuando se tiene desconectada y desocupada.

GATILLO DE MODO SELECCIONABLE

El gatillo de modo seleccionable permite al operador escoger accionamiento por contacto, para alta productividad, y accionamiento secuencial sencillo, para la colocación precisa de sujetadores.

UÑA DE CLAVADO OBLICUO

La uña de clavado oblicuo reduce el deslizamiento en las operaciones de clavado en ángulo.

ARMADO

DESEMPAQUETADO

Embarcamos este producto completamente armado.

- Extraiga cuidadosamente de la caja la herramienta y los accesorios. Asegúrese de que estén presentes todos los artículos enumerados en la lista de empaquetado.
- Inspeccione cuidadosamente la herramienta para asegurarse de que no haya sufrido ninguna rotura o daño durante el transporte.
- No deseche el material de empaquetado sin haber inspeccionado cuidadosamente la herramienta y haberla utilizado satisfactoriamente.
- Si hay piezas dañadas o faltantes, le suplicamos llamar al 1-866-539-1710, donde le brindaremos asistencia.

LISTA DE EMPAQUETADO

Clavadora de Entramar para Clavos de Cabeza Redonda Normal
Bolsa de acarreo
Aceite
Llave hexagonal
Protección ocular
Guía de sujetadores
Manual del operador

FUNCIONAMIENTO

PELIGRO:

No utilice oxígeno, gases combustibles ni gases embotellados como fuente de energía para esta herramienta. La herramienta explotará y causará la muerte o lesiones serias.

ADVERTENCIA:

No permita que su familiarización con las herramientas lo vuelva descuidado. Tenga presente que un descuido de un instante es suficiente para causar una lesión seria.

ADVERTENCIA:

Cuando utilice herramientas, póngase siempre gafas de seguridad o anteojos protectores con protección lateral. La inobservancia de esta advertencia puede causar el lanzamiento de objetos a los ojos, y por consecuencia posibles lesiones serias.

ADVERTENCIA:

Desconecte la herramienta del suministro de aire antes de abandonar el área de trabajo, de trasladar la herramienta a otro lugar y de alargar la herramienta a otra persona. La inobservancia de esta advertencia puede causar lesiones serias.

ADVERTENCIA:

Si hay piezas dañadas o faltantes, no utilice esta herramienta sin haber reemplazado las piezas dañadas o faltantes. La inobservancia de esta advertencia puede causar lesiones graves.

ADVERTENCIA:

No intente modificar esta herramienta ni hacer accesorios no recomendados para la misma. Cualquier alteración o modificación constituye maltrato el cual puede causar una condición peligrosa, y como consecuencia posibles lesiones corporales serias.

USOS

Esta herramienta puede emplearse para los fines enumerados abajo:

- Entramado
- Entablado de paredes
- Entablado de techos
- Entarimado de pisos
- Terrazas exteriores de madera
- Madera producida tecnológicamente
- Subensambles de bloqueo
- Armado de puentes
- Cercas
- Armado de cajas y embalajes de madera
- Armaduras
- Revestimiento de muros exteriores
- Armado y reparación de paletas de carga
- Contrapisos

ADVERTENCIA:

Siempre póngase protección ocular. La protección ocular no les queda a todos los operadores de la misma forma. Asegúrese de que la protección ocular escogida disponga de protectores laterales u ofrezca protección contra desechos disparados provenientes tanto del frente como de los lados.

FUNCIONAMIENTO

PREPARACIÓN DE LA HERRAMIENTA PARA UTILIZARLA

Vea la figura 2.

En condiciones normales, la herramienta debe lubricarse antes de conectarla a un suministro de aire. Vierta lubricante para herramientas neumáticas en la conexión del aire de la herramienta una vez al día, o dos veces si se usa intensivamente. Solamente son necesarias unas pocas gotas de aceite cada vez. Si se pone demasiado aceite se acumula dentro de la herramienta y estará presente en la fase de escape.

Antes de conectar la herramienta, revise el indicador del compresor de aire para asegurarse de que esté funcionando dentro del intervalo normal de 70 a 120 psi.

ALMOHADILLA PROTECTORA

Vea la figura 3.

La almohadilla protectora montada en la punta de la herramienta evita dañar y marcar las maderas suaves con la herramienta.

ADVERTENCIA:

Desconecte la herramienta del suministro de aire antes de desmontar o volver a montar la almohadilla protectora. La inobservancia de esta advertencia puede causar lesiones serias.

La almohadilla de la clavadora de entramar puede desmontarse; para ello, tire de ella para abrirla y retirarla por los costados de la uña de clavado oblicuo. Para volver a montar la almohadilla, acomódelas en su lugar en los puntos de la uña.

Hay un lugar para guardar la almohadilla en el cargador de la herramienta.

AJUSTE DEL ESCAPE

Vea la figura 4.

El escape ajustable, situado en la tapa extrema de la herramienta, permite al operador dirigirlo en la dirección deseada.

Para ajustarlo, gire la tapa del escape en la dirección deseada.

ADVERTENCIA:

Desconecte la herramienta del suministro de aire antes de abandonar el área de trabajo, de trasladar la herramienta a otro lugar y de alargar la herramienta a otra persona. La inobservancia de esta advertencia puede causar lesiones serias.

CÓMO CONECTAR LA HERRAMIENTA A UN SUMINISTRO DE AIRE

Vea la figura 5.

PELIGRO:

No utilice oxígeno, gases combustibles ni gases embotellados como fuente de energía para esta herramienta. La herramienta explotará y causará la muerte o lesiones serias.

Esta herramienta está diseñada para funcionar con aire comprimido, seco y limpio, a presiones reguladas entre 70 y 120 psi. La presión correcta de aire es la presión menor que sirva para efectuar el trabajo.

NOTA: Una presión de aire mayor de 120 psi puede dañar la herramienta.

La manguera de aire debe tener un acoplamiento que permita eliminar toda la presión de la herramienta al desconectarlo de la misma.

ADVERTENCIA:

Siempre utilice un acoplamiento que descargue todo el aire comprimido contenido en la herramienta al momento de desconectar de la misma el adaptador o acoplamiento de la manguera. Si utiliza un acoplamiento que no descargue el aire comprimido podría hacer funcionar accidentalmente la herramienta y producirse lesiones serias.

ADVERTENCIA:

No se suba a ningún equipo o andamio mientras acarree una herramienta conectada a una manguera de aire. La inobservancia de esta advertencia puede causar lesiones serias.

Conecte la herramienta al suministro de aire con un conector hembra rápido de 1/4 pulg. Puede utilizarse un conector hembra rápido de 3/8 pulg. si no hay un conducto de suministro de 1/4 pulg. No obstante, para lograr un desempeño óptimo de la herramienta se requieren un conducto de suministro y conexiones de 3/8 pulg.

OPERACIÓN DE CARGA DE LOS CLAVOS EN LA HERRAMIENTA

Vea las figuras 6 y 7.

ADVERTENCIA:

El mecanismo de impulsión de la herramienta puede funcionar un ciclo al conectarse ésta al suministro de aire. Conecte siempre la herramienta a un suministro de aire presurizado antes de cargarla de clavos para evitar lesiones causadas por el ciclo de funcionamiento indeseado. Siempre asegúrese de que el alimentador de la herramienta esté vacío al inicio de cada serie de operaciones, antes de conectar la herramienta al suministro de aire.

- Conecte la herramienta al suministro de aire.
- Teniendo la punta de la herramienta apuntando en la dirección opuesta a donde se encuentra usted, introduzca una tira de clavos en el alimentador. Asegúrese de que los clavos estén apuntando hacia abajo, y en el ángulo mostrado.

FUNCIONAMIENTO

ADVERTENCIA:

Mantenga la herramienta apuntando en la dirección opuesta a donde se encuentra usted y otras personas mientras carga los clavos. La inobservancia de esta advertencia puede causar lesiones corporales serias.

- Desplace el empujador completamente hasta la parte posterior del alimentador. Suelte el empujador y permita que empuje los clavos hasta el mecanismo de impulsión. El empujador se detiene al llegar al extremo de la tira de clavos.

NOTA: No permita que el empujador se regrese a su lugar.

ADVERTENCIA:

Solamente utilice los clavos recomendados para esta herramienta (consulte la guía de sujetadores). Si se utilizan otros clavos puede producirse un malfuncionamiento de la herramienta y posibles lesiones serias.

ADVERTENCIA:

Nunca cargue los clavos teniendo activado el disparador de contacto o el gatillo. La inobservancia de esta advertencia puede causar lesiones serias.

ADVERTENCIA:

No utilice clavos que midan menos de 2,87 mm (0,113 pulg.) diámetro del tallo. Si lo hace, es posible que los clavos salgan de la herramienta antes de tiempo por el riel de la guía. No utilice clavos endurecidos con herramientas neumáticas. Esto puede llevar a un desgaste excesivo de la guía y provocar que los clavos sean despedidos por la parte posterior de ésta, lo que puede causar lesiones graves.

UTILIZACIÓN DEL GATILLO DE MODO SELECCIONABLE

Vea las figuras 8 y 9.

ADVERTENCIA:

Nunca detenga con una cuña ni de ninguna otra forma el mecanismo del disparador de contacto al utilizar la herramienta. La inobservancia de esta advertencia puede causar lesiones serias.

Esta herramienta se embarca de la fábrica con el gatillo de modo seleccionable puesto en modo de **accionamiento secuencial sencillo**. El gatillo de modo seleccionable puede ponerse también en modo de **accionamiento por contacto**.

MODO DE ACCIONAMIENTO SECUENCIAL SENCILLO

El accionamiento secuencial sencillo permite lograr la colocación más exacta del sujetador.

- Desconecte la herramienta del suministro de aire.
- Oprima el pasador de pivoteo de la palanca del gatillo.

- Gire el selector a la posición A.
- Suelte el pasador de pivoteo de la palanca del gatillo.

ADVERTENCIA:

La clavadora no funciona correctamente si el selector no está asentado firmemente en la posición A o B. Siempre asegúrese de que el selector esté asentado debidamente para evitar el disparo inesperado de un sujetador (clavo, puntilla o grapa, según sea el caso) y posibles lesiones graves.

- Vuelva a conectar la herramienta al suministro de aire.
- Sujete firmemente la herramienta para mantener el control. Coloque la punta de la herramienta en la superficie de trabajo.
- Oprima la herramienta contra la superficie de trabajo para oprimir el disparador de contacto.
- Para introducir un sujetador, oprima el gatillo.
- Permita que la herramienta se retraiga de la superficie de trabajo al impulsar el sujetador.
- Siempre retire el dedo del gatillo una vez que se haya introducido la cantidad de clavos deseada.

MODO DE ACCIONAMIENTO POR CONTACTO

El accionamiento por contacto permite la colocación repetitiva de sujetadores a velocidad muy rápida.

- Desconecte la herramienta del suministro de aire.
- Oprima el pasador de pivoteo de la palanca del gatillo.
- Gire el selector a la posición B.
- Suelte el pasador de pivoteo de la palanca del gatillo.

NOTA: El pasador de pivoteo de la palanca del gatillo es de resorte y lo mantiene en su posición una orejeta de aseguramiento para evitar todo movimiento del mismo durante el funcionamiento.

- Vuelva a conectar la herramienta al suministro de aire.
- Sujete firmemente la herramienta para mantener el control.
- Oprima el gatillo y no lo suelte. Oprima la herramienta contra la superficie de trabajo para oprimir el disparador de contacto e introducir un sujetador.
- Permita que la herramienta se retraiga de la superficie de trabajo al impulsar el sujetador.
- Siempre retire el dedo del gatillo una vez que se haya introducido la cantidad de clavos deseada.

NOTA: En el modo de accionamiento por contacto, la herramienta puede accionarse también presionando el disparador de contacto contra la superficie y oprimiendo el gatillo.

ADVERTENCIA:

Durante el uso normal de la herramienta, ésta se retrae de inmediato después de introducir un sujetador. Así es el funcionamiento normal de la herramienta. No intente impedir la retracción presionando la clavadora contra la pieza de trabajo. Toda restricción impuesta a la retracción puede producir la impulsión de un segundo sujetador en la clavadora. Sujete firmemente el mango, permita a la herramienta que haga el trabajo y no coloque la otra mano encima de la herramienta ni cerca del escape de aire en ningún momento. La inobservancia de esta advertencia puede causar lesiones corporales serias.

FUNCIONAMIENTO

SEGURO DE DISPARO EN SECO

Cuando el alimentador está casi vacío de clavos, el seguro de disparo en seco no permite continuar utilizando la herramienta.

Para volver a utilizar la herramienta, cárguela de clavos.

AJUSTE DE LA PRESIÓN DE AIRE

La cantidad presión de aire requerida depende del tamaño de los clavos y del material de la pieza de trabajo.

Comience por probar la profundidad de introducción introduciendo un clavo de prueba en el mismo tipo de material de la pieza de trabajo que va a usarse en el trabajo en la realidad.

Introduzca un clavo de prueba con la presión de aire puesta de 90 a 95 psi. Suba o baje la presión de aire hasta encontrar el nivel más bajo con el que pueda efectuarse el trabajo con resultados uniformes.

Puede ser posible lograr la profundidad deseada solamente con ajustes en la presión de aire. Si se necesitan ajustes más finos, use el ajuste de profundidad de introducción de la herramienta.

AJUSTE DE LA PROFUNDIDAD DE INTRODUCCIÓN

Vea la figura 10.

Puede ajustarse la profundidad de introducción del clavo. Se recomienda probar la profundidad de introducción en un pedazo de desecho para determinar la profundidad requerida en cada caso en particular.

Para determinar la profundidad, primero ajuste la presión de aire y luego introduzca un clavo de prueba. Para lograr la profundidad deseada, use el ajuste de profundidad de introducción de la herramienta.

- Desconecte la herramienta del suministro de aire.
- Para cambiar la profundidad de introducción, gire a la izquierda o derecha el selector de profundidad.
- Vuelva a conectar la herramienta al suministro de aire.
- Después de cada ajuste introduzca un clavo de prueba hasta lograr la profundidad deseada.

AJUSTE DEL ALIMENTADOR

Vea la figura 11.

PRECAUCIÓN:

El ajuste del cargador facilita la alineación de los clavos en éste. Asegúrese siempre de que el ajuste sea correcto para el tamaño de clavos que utilice. Un ajuste incorrecto puede provocar que los sujetadores no avancen bien, que se atoren y que los clavos no salgan de la herramienta siempre al mismo tiempo, lo que puede causar lesiones graves.

El ajuste de corredera del alimentador, situado en el lado derecho de la herramienta, permite al operador cambiar fácilmente a otro diámetro de clavos.

Para ajustar el alimentador con el fin de usar clavos de menor diámetro (de 0,113 pulg. a 0,120 pulg.):

- Desconecte la herramienta del suministro de aire.
- Oprima el ajuste del alimentador y desplácelo a la posición delantera.

- Vuelva a conectar la herramienta al suministro de aire.

Para ajustar el alimentador con el fin de usar clavos de mayor diámetro (de 0,131 pulg. a 0,162 pulg.), empuje el ajuste del alimentador a la posición trasera.

CÓMO CLAVAR CLAVOS EN ÁNGULO

Vea la figura 12.

Cuando clava clavos en ángulo, asegúrese de que la herramienta esté apuntando en dirección opuesta a donde se encuentran usted y otras personas.

Cuando clava clavos en ángulo, asegúrese de que la herramienta esté colocada correctamente. Clavar clavos a un ángulo excesivamente pronunciado puede:

- hacer que el clavo no se introduzca en la pieza de trabajo;
- hacer que el clavo rebote;
- hacer que la pieza de trabajo se agriete o astille, provocando que el clavo rebote hacia el operador.

Nunca clave un clavo en ángulo inclinando la herramienta hacia adelante. Esto podría hacer que el clavo no se introduzca en la superficie de trabajo o rebote de la superficie de trabajo, causando lesiones serias.

ADVERTENCIA:

Desconecte la herramienta del suministro de aire antes de retirar los clavos o de desatorar uno atorado. La inobservancia de esta advertencia puede causar lesiones serias.

CÓMO RETIRAR LOS CLAVOS DE LA HERRAMIENTA

Vea la figura 13.

- Desconecte la herramienta del suministro de aire.
- Para retirar una tira de clavos de la herramienta, oprima el botón de aflojamiento del empujador. Al soltarse el empujador éste se desliza hacia arriba.

NOTA: Siempre mantenga los dedos fuera del carril de clavos del alimentador para evitar lesiones en caso de soltar accidentalmente el empujador.

- Oprima la orejeta del tope de clavos situado cerca del extremo del alimentador y deslice los clavos por la misma.
- Retire de la herramienta la tira de clavos.

CÓMO RETIRAR UN SUJETADOR ATORADO

Vea la figura 14.

Si se atora un clavo (u otro sujetador, según sea el caso) en la herramienta, desconecte la manguera de aire y mantenga la herramienta apuntando en la dirección opuesta a donde se encuentra usted mientras desatora el clavo.

- Desconecte la herramienta del suministro de aire.
- Retire de la herramienta todos los sujetadores.
- Introduzca un destornillador Phillips #2 en el mecanismo de impulsión.
- Golpee levemente destornillador contra una superficie dura. El destornillador introducido empuja hacia atrás la hoja de impulsión, y se libera el clavo atorado.
- Retire el clavo doblado, utilizando pinzas de puntas de aguja si es necesario.

FUNCIONAMIENTO

De ser necesario, se puede utilizar el deslizador para despejar atascos para liberar el clavo. Para utilizar el deslizador para despejar atascos:

- Desconecte la herramienta del suministro de aire.
- Retire de la herramienta todos los sujetadores.
- Afloje el tornillo de mariposa girándolo hacia la izquierda.
- Retire el tornillo de mariposa con cuidado para que la pequeña arandela cóncava no se suelte.
- Tire del deslizador para despejar atascos a fin de retirar clavos atorados o doblados.
- Empuje el deslizador para despejar atascos a fin de colocarlo en su lugar nuevamente y controle que los orificios del tornillo de mariposa estén alineados con los orificios del deslizador.

- Cambie la arandela cóncava como se muestra.
- Vuelva a apretar el tornillo de mariposa asegurándose de que esté firme.

NOTA: El deslizador para despejar atascos siempre debe estar en su lugar al utilizar esta herramienta. Al utilizar esta herramienta, verifique periódicamente que la tuerca de mariposa tensora esté correctamente ajustada.

MANTENIMIENTO

ADVERTENCIA:

Para el servicio de la unidad sólo utilice piezas de repuesto RIDGID idénticas. El empleo de piezas diferentes puede causar un peligro o dañar el producto.

ADVERTENCIA:

Siempre use gafas de seguridad o anteojos protectores con protección lateral al usar herramientas eléctricas o al soplar el polvo con aire comprimido. Si la operación genera mucho polvo, también póngase una mascarilla contra el polvo.

ADVERTENCIA:

Desconecte la herramienta del suministro de aire antes de efectuar tareas de mantenimiento. La inobservancia de esta advertencia puede causar lesiones serias.

MANTENIMIENTO GENERAL

Evite el empleo de solventes al limpiar piezas de plástico. La mayoría de los plásticos son susceptibles a diferentes tipos de solventes comerciales y pueden resultar dañados. Utilice paños limpios para eliminar la suciedad, el polvo, el aceite, la grasa, etc.

ADVERTENCIA:

No permita en ningún momento que fluidos para frenos, gasolina, productos a base de petróleo, aceites penetrantes, etc., lleguen a tocar las piezas de plástico. Las sustancias químicas pueden dañar, debilitar o destruir el plástico, lo cual a su vez puede producir lesiones corporales serias.

LUBRICACIÓN

Para obtener un desempeño óptimo de la herramienta se requiere una lubricación frecuente, pero no excesiva. El aceite para herramientas neumáticas de clavar vertido por la conexión del conducto de aire lubrica las partes internas. No utilice aceite con detergente ni aditivos, ya que estos lubricantes propician un desgaste rápido de los sellos y parachoques de la herramienta, lo cual causa un desempeño inadecuado de la herramienta y la necesidad de mantenimiento frecuente.

UTILIZACIÓN DE LA HERRAMIENTA EN TIEMPO FRÍO

Para utilizar la herramienta en tiempo frío, cerca de la temperatura de congelación y abajo de la misma, puede congelarse la humedad presente en el conducto de aire y puede impedir el funcionamiento de la herramienta. Recomendamos utilizar lubricante para herramientas neumáticas o anticongelante permanente (etilenglicol) como lubricante para clima frío.

PRECAUCIÓN:

Con el fin de evitar la formación de escarcha o hielo en las válvulas y mecanismos de operación de las herramientas que pudiera causar una falla de las mismas, no las guarde en lugares fríos.

NOTA: Algunos líquidos comerciales para secar conductos de aire dañan los sellos y las juntas tóricas. No use estos secadores de aire para baja temperatura sin verificar la compatibilidad de los mismos.

MANTENIMIENTO

PRESIÓN Y VOLUMEN DEL SUMINISTRO DE AIRE

El volumen de aire es tan importante como la presión del mismo. El volumen de aire suministrado a la herramienta puede ser insuficiente a causa de conexiones y mangueras de tamaño insuficiente, o por los efectos de la suciedad y el agua presentes en el sistema. Toda limitación en el flujo de aire impide a la herramienta recibir un volumen adecuado de aire, incluso si está elevada la lectura de la presión. El resultado de tales circunstancias puede ser funcionamiento lento o potencia de introducción reducida. Antes de evaluar los problemas de la herramienta a causa de estos síntomas, revise el suministro de aire desde la herramienta hasta la fuente de suministro para ver si hay conectores limitantes o puntos bajos con contenido de agua y cualquier otra cosa que pueda impedir el flujo pleno de aire a la herramienta.

LISTA DE CONTROL DIARIA OBLIGATORIA

Vea las figuras 15 - 17.

- Desconecte el suministro de aire de la herramienta y retire todos los sujetadores.
- Verifique todos los tornillos, tuercas, pernos y vástagos de la herramienta. Si hay alguno suelto, debe ser ajustado con una llave del tamaño adecuado.
- **NOTA:** El deslizador para despejar atascos siempre debe estar en su lugar cuando utilice esta herramienta. Al utilizar esta herramienta, verifique periódicamente que la tuerca de mariposa tensora esté correctamente ajustada.
- Presione el elemento de contacto con la pieza de trabajo contra ella para asegurarse de que se mueva suavemente.
- Con el elemento de contacto con la pieza de trabajo presionado, oprima el gatillo. El gatillo debe moverse suavemente, sin atascarse.
- Mientras la herramienta no esté cargada, conecte el suministro de aire adecuado (70 psi) a la herramienta.
- Gire la perilla del gatillo de modo seleccionable a la posición A, de funcionamiento por Activación Secuencial Única, como se muestra en la figura 16. No debe haber una fuga de aire de la herramienta.
 - Sin oprimir el gatillo, desenganche el seguro de disparo en seco (si corresponde) y presione varias veces el elemento de contacto con la pieza de trabajo contra ella. La herramienta no debe funcionar.
 - Con el elemento de contacto con la pieza de trabajo sin contacto con ella, apunte la herramienta hacia abajo y hacia afuera y oprima el gatillo varias veces. Sostenga el gatillo en esta posición durante, al menos, 5 segundos. La herramienta no debe funcionar.
 - Presione el elemento de contacto con la pieza de trabajo firmemente contra ella. Oprima el gatillo. La herramienta debe funcionar.
 - Con el elemento de contacto con la pieza de trabajo todavía presionado, suelte el gatillo. El impulsor debe volver a la posición superior.
- Gire la perilla del gatillo de modo seleccionable a la posición B, de funcionamiento de Activación por Contacto, como se muestra en la figura 17.
 - Con el elemento de contacto con la pieza de trabajo sin contacto con ella, apunte la herramienta hacia abajo y hacia afuera. Desenganche el seguro de disparo en seco (si corresponde) y oprima el gatillo. La herramienta no debe funcionar.
 - Manteniendo el gatillo totalmente oprimido, presione el elemento de contacto con la pieza de trabajo contra una pieza de trabajo. La herramienta debe funcionar.
- Si la herramienta cumple con todos los requisitos de esta lista, está preparada para usar. Configure el gatillo de la herramienta para funcionar de la manera que mejor convenga a su aplicación. Cargue los sujetadores adecuados para la aplicación deseada.
- Ajuste la profundidad de introducción según la sección “Ajuste de la profundidad de Introducción” de este manual. Recorra esta lista de verificación antes de usar la herramienta cada día, o si se cayó o se dañó de alguna manera.

ACCESORIOS

Para pedir piezas y juegos de mantenimiento, llame al 1-866-539-1710.

Juego de mantenimiento del sistema impulsor	079005001101
Juego de mantenimiento general.....	079002001093
Juego de aceite y llave.....	079002001098

ADVERTENCIA:

Arriba se señalan los aditamentos y accesorios disponibles para usarse con esta herramienta. No utilice ningún aditamento o accesorio no recomendado por el fabricante de esta herramienta. El empleo de aditamentos o accesorios no recomendados podría causar lesiones serias.

SOLUCIÓN DE PROBLEMAS

PROBLEM	POSSIBLE CAUSE	SOLUTION
Fuga de aire cerca de la parte superior de la herramienta o junto al gatillo	Tornillos sueltos Juntas tóricas o sellos gastados o dañados	Apriete los tornillos Instale el juego de mantenimiento general
Fuga de aire cerca de la parte inferior de la herramienta	Tornillos sueltos Juntas tóricas o tope gastados o dañados	Apriete los tornillos Instale el juego de mantenimiento general
La herramienta no hace nada o funciona con lentitud	Suministro de aire inadecuado Lubricación inadecuada Juntas tóricas o tope gastados o dañados	Verifique que haya un suministro de aire adecuado Lubrique la herramienta Instale el juego de mantenimiento general
La herramienta sufre atoramientos con frecuencia	Sujetadores inadecuados Sujetadores dañados Está flojo el alimentador o los tornillos de la punta Alimentador sucio Sistema impulsor gastado o dañado	Verifique que sean del tamaño correcto los sujetadores Cambie los sujetadores Apriete los tornillos Limpie el alimentador Instale el juego de mantenimiento del sistema impulsor

GARANTÍA

GARANTÍA DE SERVICIO LIMITADA DE 3 AÑOS DE LAS HERRAMIENTAS NEUMÁTICAS RIDGID®

Debe presentarse prueba de la compra al solicitar servicio al amparo de la garantía.

Este producto está manufacturado por One World Technologies, Inc. La licencia de uso de la marca comercial es otorgada por RIDGID, Inc. Toda comunicación en relación con la garantía debe dirigirse a One World Technologies, Inc., a la atención de: Servicio técnico de herramientas neumáticas RIDGID, (línea gratuita) 1-866-539-1710.

POLÍTICA DE GARANTÍA DE SATISFACCIÓN DE 90 DÍAS

Durante los primeros 90 días a partir de la fecha de compra, si no está satisfecho con el desempeño de esta herramienta neumática RIDGID® por cualquier razón, puede devolverla al establecimiento donde la adquirió, donde se le proporcionará un reembolso total o un intercambio. Para recibir una herramienta de reemplazo, debe presentar documentación de prueba de la compra, y devolver el equipo original empaquetado con el producto original. La herramienta de reemplazo queda cubierta por la garantía limitada por el resto del período de garantía de servicio de 3 AÑOS.

LO QUE ESTÁ CUBIERTO POR LA GARANTÍA DE SERVICIO LIMITADA DE 3 AÑOS

Esta garantía de las herramientas neumáticas RIDGID® cubre todos los defectos en material y en mano de obra por un período de tres años a partir de la fecha de compra de la herramienta. Las garantías de otros productos RIDGID pueden ser diferentes.

FORMA DE OBTENER SERVICIO

Para obtener servicio para esta herramienta RIDGID®, debe devolverla, ya sea con el flete pagado por anticipado, o llevarla a un centro de servicio autorizado para herramientas neumáticas de la marca RIDGID®. Puede obtener información sobre la ubicación del centro de servicio autorizado más cercano llamando al 1-866-539-1710 (línea gratuita) o dirigiéndose al sitio electrónico de RIDGID® en Internet, en www.ridgid.com. Al solicitar servicio al amparo de la garantía, debe presentar el recibo de venta fechado original. El centro de servicio autorizado reparará toda mano de obra deficiente del producto, y reparará o reemplazará cualquier pieza cubierta en la garantía, a nuestra sola discreción, sin ningún cargo al consumidor.

LO QUE NO ESTÁ CUBIERTO

Esta garantía se ofrece exclusivamente al comprador original al menudeo y no puede transferirse. Esta garantía sólo cubre defectos que surjan en el uso normal de la herramienta y no cubre ningún malfuncionamiento, falla o defecto producido por el uso indebido, maltrato, negligencia, alteración, modificación o reparación efectuada por terceros diferentes de los centros de servicio autorizados de herramientas neumáticas RIDGID®. No están cubiertos los accesorios suministrados con la herramienta, como los sujetadores, aceite y anteojos de seguridad.

RIDGID, INC. Y ONE WORLD TECHNOLOGIES, INC. NO OFRECEN NINGUNA GARANTÍA, DECLARACIÓN O PROMESA EN RELACIÓN CON LA CALIDAD O EL DESEMPEÑO DE SUS HERRAMIENTAS NEUMÁTICAS, MÁS QUE LAS SEÑALADAS ESPECÍFICAMENTE EN ESTA GARANTÍA.

LIMITACIONES ADICIONALES

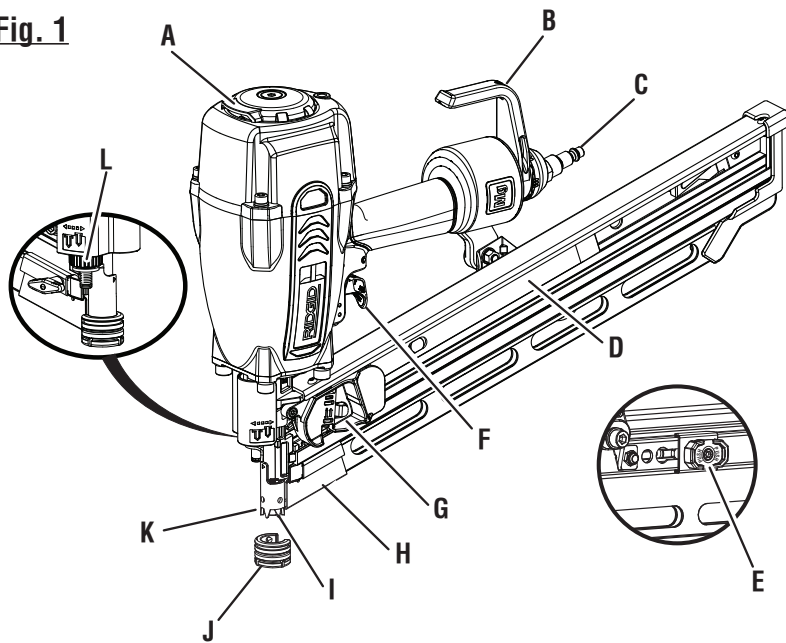
Hasta donde lo permiten las leyes relevantes, se desconoce toda garantía implícita, incluidas las garantías de comerciabilidad o idoneidad para un uso en particular. Toda garantía implícita, incluidas las garantías de comerciabilidad o idoneidad para un uso en particular, que no pueda desconocerse según las leyes estatales, está limitada a tres años a partir de la fecha de compra. One World Technologies, Inc. y RIDGID, Inc. no son responsables de daños directos, indirectos, incidentales o consecuentes. Algunos estados no permiten limitaciones en cuanto al período de vigencia de una garantía implícita y/o no permiten exclusiones o limitaciones de daños incidentales o consecuentes, por lo tanto es posible que esta limitación no se aplique en el caso de usted. Esta garantía le confiere derechos legales específicos, y es posible que usted goce de otros derechos, los cuales pueden variar de estado a estado.

One World Technologies, Inc.

P.O. Box 35, Hwy. 8

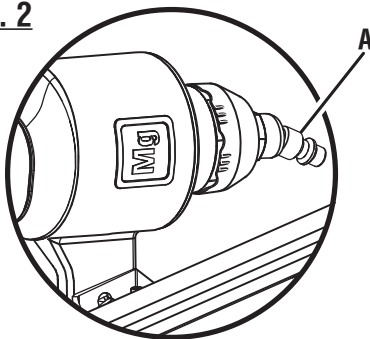
Pickens, SC 29671, USA

Fig. 1



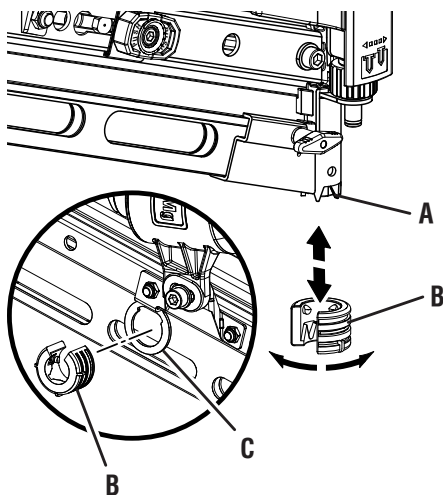
- A - Adjustable exhaust (échappement réglable, escape ajustable)
- B - Rafter hook (crochet à chevron, gancho para vigas)
- C - Quick-connect swivel connector (connecteur rapide pivotant, conector giratorio rápido)
- D - Magazine slide (coulisse du magasin, corredera del alimentador)
- E - Magazine adjustment (réglage du magasin, ajuste del alimentador)
- F - Selectable trigger (gâchette à sélecteur, gatillo de modo seleccionable)
- G - Pusher (poussoir, empujador)
- H - Jam-clearing slide (coulisse de débouillage, deslizador para despejar atascos)
- I - Toe-nailing claw (griffe de clouage en biais, uña de clavado oblicuo)
- J - No-mar pad (coussinet de protection, almohadilla protectora)
- K - Workpiece contact (contact de déclenchement, disparador de contacto)
- L - Depth of drive adjustment (réglage de profondeur d'enfoncement, ajuste de la profundidad de introducción)

Fig. 2



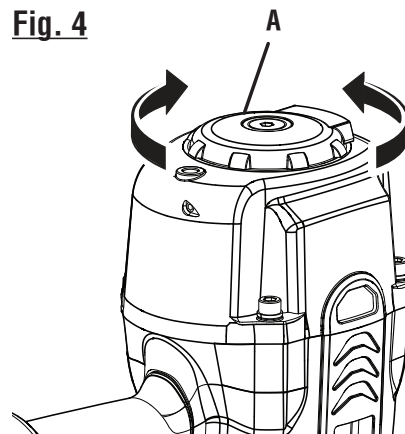
- A - Swivel connector (connecteur pivotant, conector giratorio)

Fig. 3



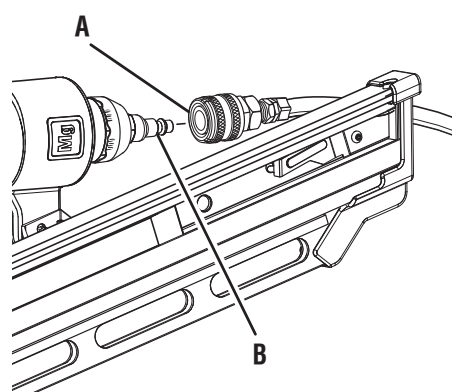
- A - Toe-nail claw (griffe de clouage en biais, uña de clavado oblicuo)
- B - No-mar pad (rangement du coussinet de protection, lugar para guardar la almohadilla protectora)
- C - No-mar pad storage (rangement du coussinet de protection, lugar para guardar la almohadilla protectora)

Fig. 4



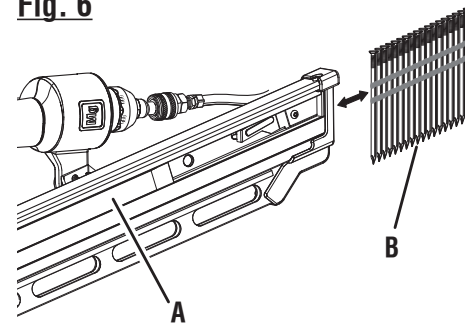
- A - Adjustable exhaust (échappement réglable, escape ajustable)

Fig. 5



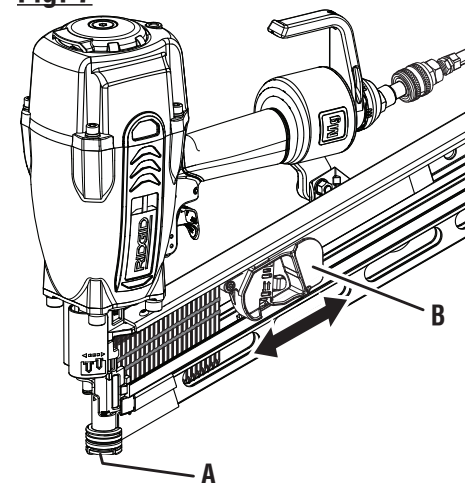
- A - Air hose connector (connecteur de flexible d'air, conector de la manguera de aire)
- B - Swivel connector (connecteur pivotant, conector giratorio)

Fig. 6



- A - Magazine slide (coulisse du magasin, corredera del alimentador)
- B - Nail strip (bande de clous, tira declavos)

Fig. 7

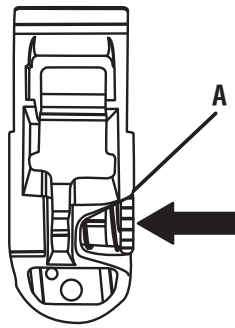


- A - Workpiece contact (contact de déclenchement, disparador de contacto)
- B - Pusher (poussoir, empujador)

Fig. 8

**DEPRESS TO ALLOW SELECTOR TO ROTATE
ENFONCER POUR PERMETTRE LA ROTATION DU SÉLECTEUR
OPRÍMALO PARA PODER GIRAR EL SÉLECTOR**

A - Trigger lever pivot pin
(axe de pivot de la
gâchette, pasador de
pivoteo de la palanca
del gatillo)



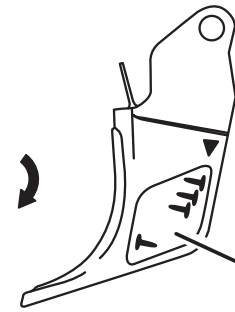
SELECTOR
IN POSITION A



SÉLECTEUR EN POSITION A
SELECTOR IN POSITION A

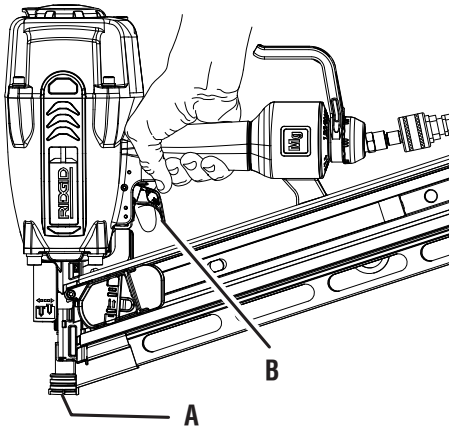


SELECTOR IN
POSITION B



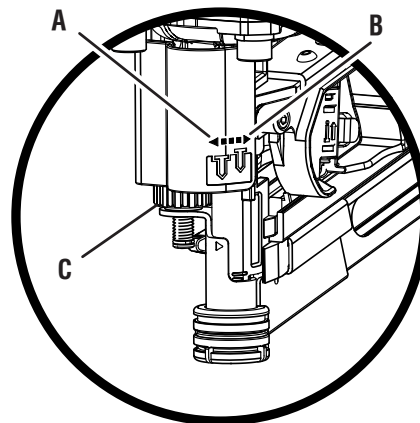
SÉLECTEUR EN POSITION B
SELECTOR IN POSITION B

Fig. 9



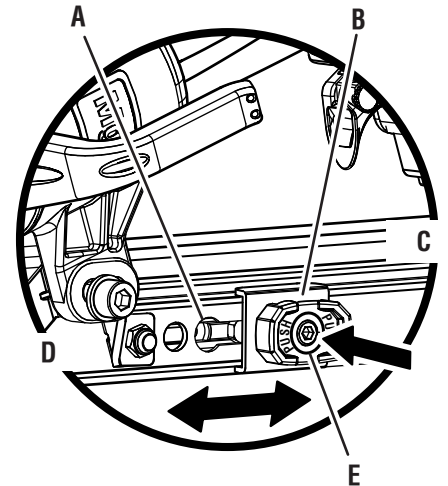
A - Workpiece contact (contact de
déclenchement, disparador de contacto)
B - Trigger (gâchette, gatillo)

Fig. 10



A - To increase depth (pour augmenter la
profondeur, para aumentar la profundidad)
B - To decrease depth (pour réduire la
profondeur, para disminuir la profundidad)
C - Drive depth adjustment (réglage de
profondeur d'enfoncement, ajuste de la
profundidad de introducción)

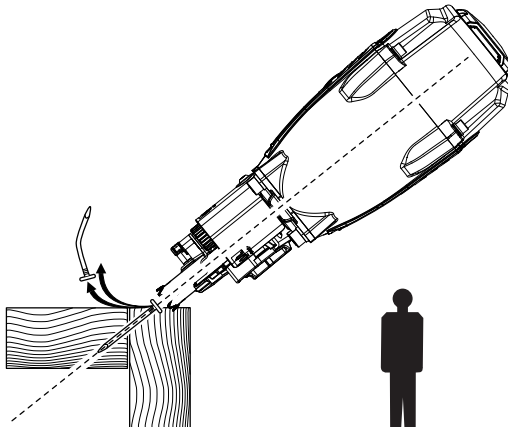
Fig. 11



A - Rear position (position arrière [grands
clous], posición trasera [para clavos más
gruesos])
B - Forward position (position avant [petits
clous], posición delantera [para clavos
menos gruesos])
C - Front of tool (avant de l'outil, parte
delantera de la herramienta)
D - Rear of tool (arrière de l'outil, parte
trasera de la herramienta)
E - Magazine adjustment (réglage du magasin,
ajuste del alimentador)

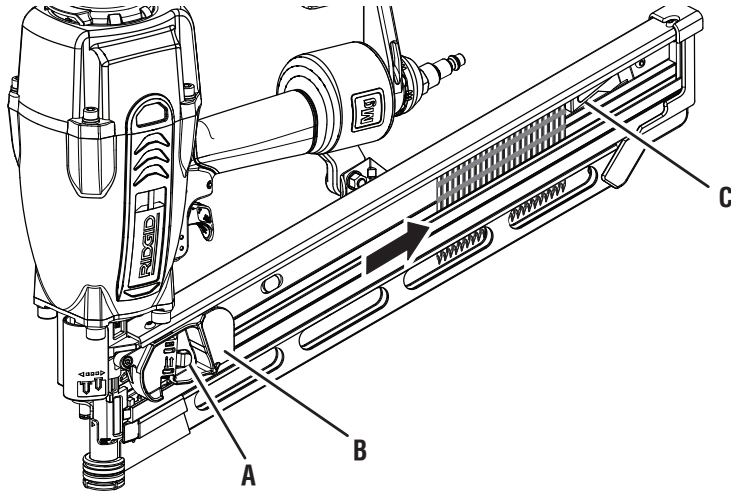
Fig. 12

**DO NOT DRIVE NAILS IN
THIS DIRECTION**



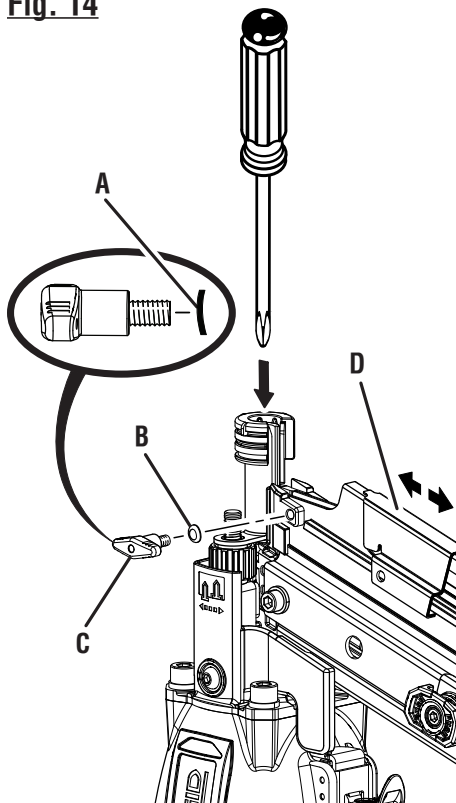
**NE PAS ENFONCER DES CLOUS DANS CETTE DIRECTION
NO CLAVE CLAVOS EN ESTA DIRECCIÓN**

Fig. 13



- A - Release button (bouton de déverrouillage, botón de afloje)
- B - Pusher (poussoir, empujador)
- C - Nail stop tab (languette de buté de clous, orejeta del tope de clavos)

Fig. 14



- A - Install concave washer on wing screw (installer la rondelle concave sur la vis à oreilles, instale la arandela cóncava en el tornillo de mariposa)
- B - Concave washer (rondelle concave, arandela cóncava)
- C - Wing screw (vis à oreilles, tornillo de mariposa)
- D - Jam-clearing slide (coulisse de débouillage, deslizador para despejar atascos)

Fig. 15

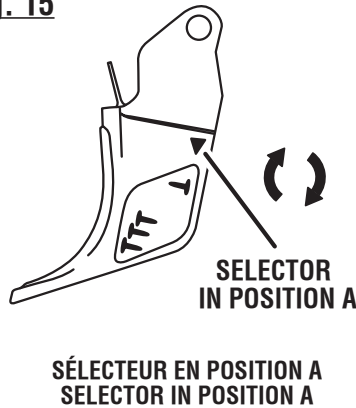


Fig. 16

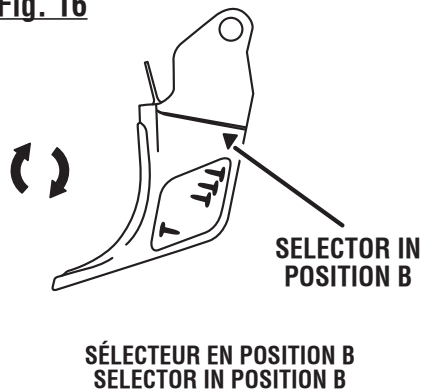
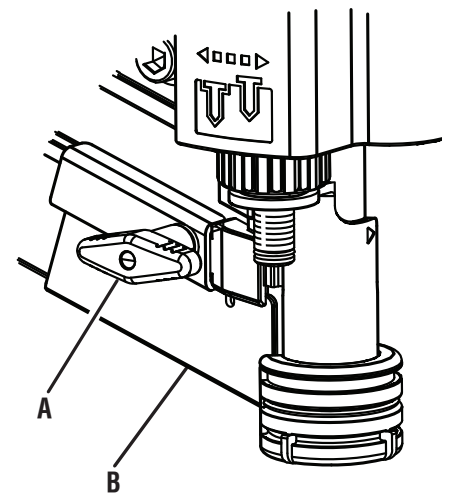


Fig. 17



- A - Wing screw (vis à oreilles, tornillo de mariposa)
- B - Jam-clearing slide (coulisse de débouillage, deslizador para despejar atascos)

OPERATOR'S MANUAL

MANUEL D'UTILISATION

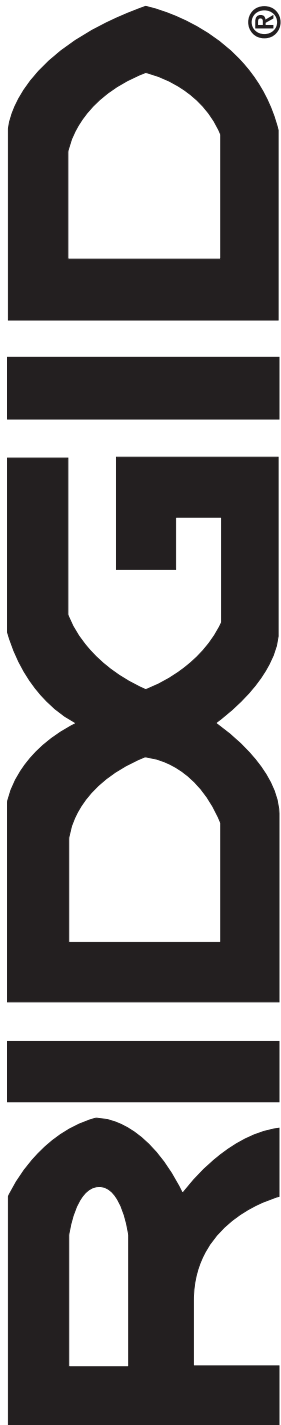
MANUAL DEL OPERADOR

FULL ROUND HEAD FRAMING NAILER

CLOUEUSE DE CHARPENTIER À TÊTE RONDE

CLAVADORA DE ENTRAMAR PARA CLAVOS DE CABEZA REDONDA NORMAL

R350RHD



Customer Service Information:

For parts or service, contact your nearest RIDGID authorized service center. Be sure to provide all relevant information when you call or visit. For the location of the authorized service center nearest you, please call 1-866-539-1710 or visit us online at www.ridgid.com.

The model number of this tool is found on a plate attached to the motor housing. Please record the serial number in the space provided below. When ordering repair parts, always give the following information:

Model No. _____ R350RHD _____

Serial No. _____

Service après-vente :

Pour acheter des pièces ou pour un dépannage, contacter le centre de réparations RIDGID agréé le plus proche. Veiller à fournir toutes les informations pertinentes lors de tout appel téléphonique ou visite. Pour obtenir l'adresse du centre de réparations agréé le plus proche, téléphoner au 1-866-539-1710, ou visiter notre site www.ridgid.com.

Le numéro de modèle se trouve sur une plaquette fixée au boîtier du moteur. Noter le numéro de série dans l'espace ci-dessous. Lors de toute commande de pièces détachées, fournir les informations suivantes :

No. de modèle _____ R350RHD _____

No. de série _____

Información sobre servicio al consumidor:

Para piezas de repuesto o servicio, comuníquese con el centro de servicio autorizado de productos RIDGID de su preferencia. Asegúrese de proporcionar todos los datos pertinentes al llamar o al presentarse personalmente. Para obtener información sobre el centro de servicio autorizado más cercano a usted, le suplicamos llamar al 1-866-539-1710 o visitar nuestro sitio en la red mundial, en la dirección www.ridgid.com.

El número de modelo de este producto se encuentra en una placa adherida al alojamiento del motor. Le recomendamos anotar el número de serie en el espacio suministrado abajo. Al ordenar piezas de repuesto siempre proporcione la siguiente información:

Núm. de modelo _____ R350RHD _____

Núm. de serie _____