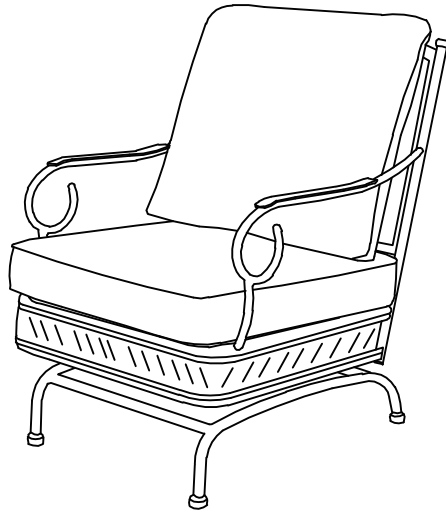
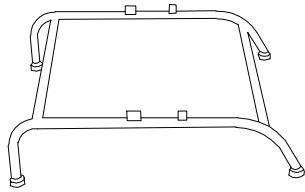


Amelia Springs Motion Metal Outdoor Lounge Chair with Spa Cushion



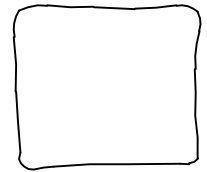
Seat and back frame



Base frame



Seat Cushion



Back cushion

A

2

B

2

C

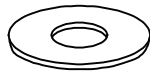
2

D

2



M8 nut



M8 washer



Hex Wrench

AA

4

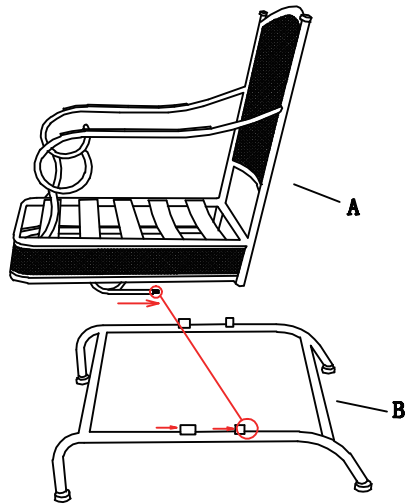
BB

4

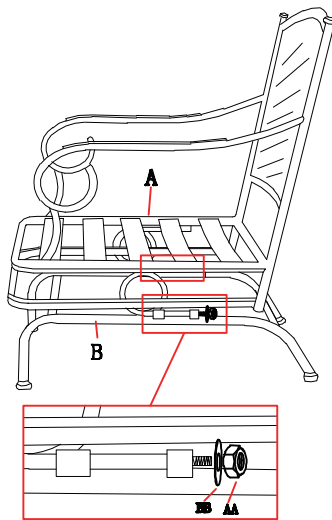
CC

1

ASSEMBLING THE CHAIR SEAT AND BACK FRAME TO THE BASE FRAME

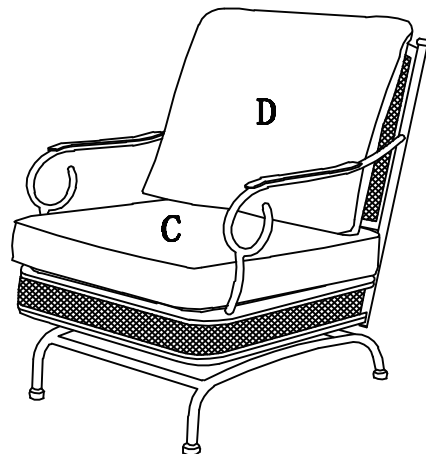


- Insert the Seat and Back Frame (A) to the Base Frame (B). See Figure.



- Secure the Seat and Back Frame (A) to the Base Frame (B) with the M8 Washers (BB) and the M8 Nuts (AA). Securely tighten the Nuts (AA) with the Hex Wrench (CC). See Figure.

FINISHING ASSEMBLY



- Place the Seat Cushion (C) and the Back Cushion (D) on the chair. See Figure. The chair is ready for your enjoyment. Please repeat steps 1-3 to assemble the other chair.