



**Dearborn®
Brass**

4675 W. 160th St.
Cleveland, Ohio 44135
Ph: (800) 321-9532
Fax: (800) 321-9535
www.dearbornbrass.com

SUBMITTAL SPECIFICATION

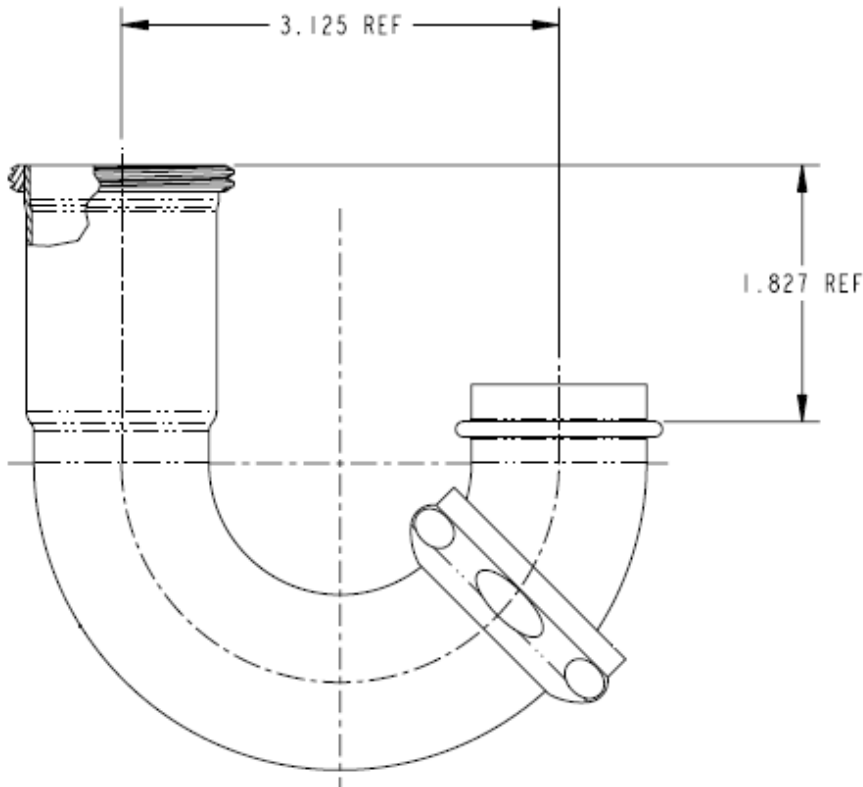
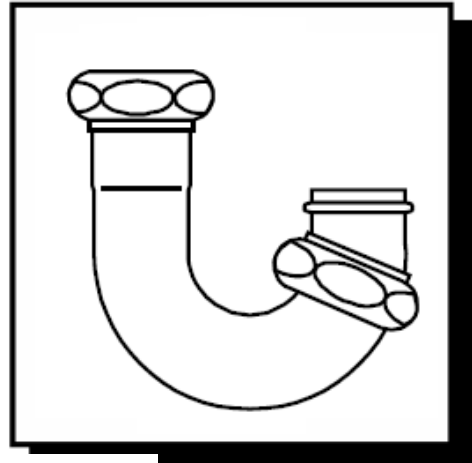
**BRASS TUBULAR
1-¼" SINK J-BEND WITH WASHER JOINT**

Engineering Specification: Dearborn Brass 1-¼" Brass Tubular Sink J-Bends are designed for use in tubular drain applications.

Job Reference

DESCRIPTION

- Chrome Plated
- 20 Gauge Brass
- Sink J-Bend
 - Sink J-Bend with Washer Joint
 - (1) Zinc Nut
 - (2) Rubber Washers



✓	Product No.	Description	Carton Quantity	Carton Weight (lbs)
	656W-1	1-¼" Sink J-Bend with Washer Joint – 20 Gauge	10	6

Data is subject to manufacturing tolerances.