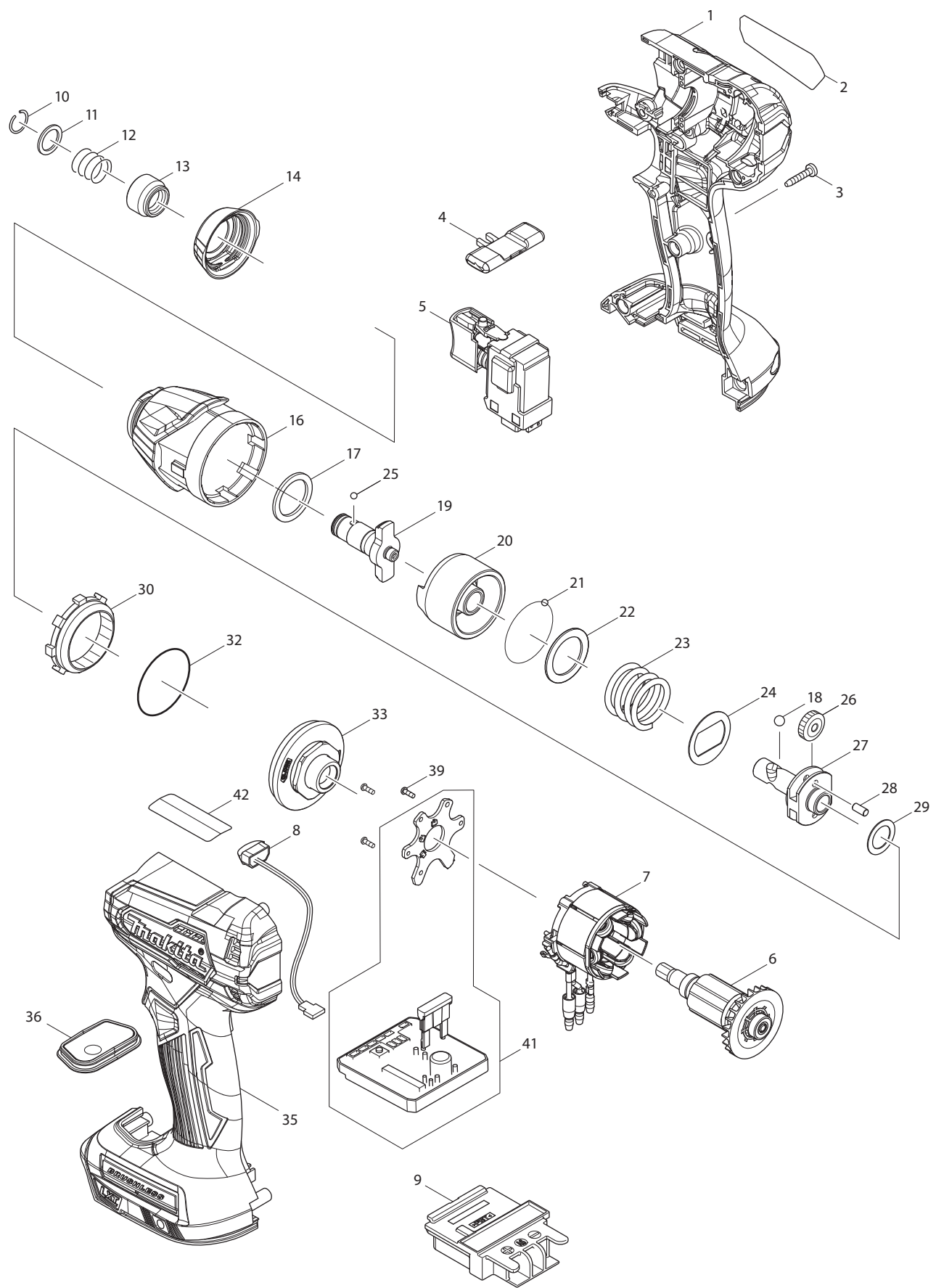


Model XFD11ZB Parts Price List

A = Standard Equipment

O = Circuit Diagram

Item#	Part#	Description	Q'ty Unit
001	183E64-0	HOUSING SET	1
	C10 263005-3	RUBBER PIN 6	2 PC.
	C20 252126-6	HEX. LOCKING NUT M4-7	2 PC.
	D10	INC. 17	
002	852L70-5	XFD11 NAME PLATE	1
003	266429-2	TAPPING SCREW 3X16	8 PC.
004	457020-9	SPEED CHANGE LEVER	1
005	233025-1	COMPRESSION SPRING 2	2 PC.
006	419041-9	F/R CHANGE LEVER	1 PC.
007	650689-0	SWITCH C3JW-2B	1 PC.
008	251468-5	- FLAT HEAD SCREW M6X22	1 PC.
009	763241-6	KEYLESS DRILL CHUCK 13	1
010	123587-6	CHANGE LEVER ASS'Y	1
	D10	INC. 5	
011	123868-8	GEAR ASSEMBLY	1
012	266490-9	TAPPING SCREW PT 2X6	3 PC.
013	620555-5	CONTROLLER	1
014	629228-7	STATOR	1 PC.
015	619410-6	ROTOR	1
016	643874-2	TERMINAL	1 PC.
017	183E64-0	HOUSING SET	1
	C10 263005-3	RUBBER PIN 6	2 PC.
	C20 252126-6	HEX. LOCKING NUT M4-7	2 PC.
	D10	INC. 1	
019	809U04-3	CAUTION LABEL	1
023	620549-0	LED CIRCUIT	1
A01	251314-2	+ SCREW M4X12	1 PC.
A02	346449-3	HOOK	1 PC.

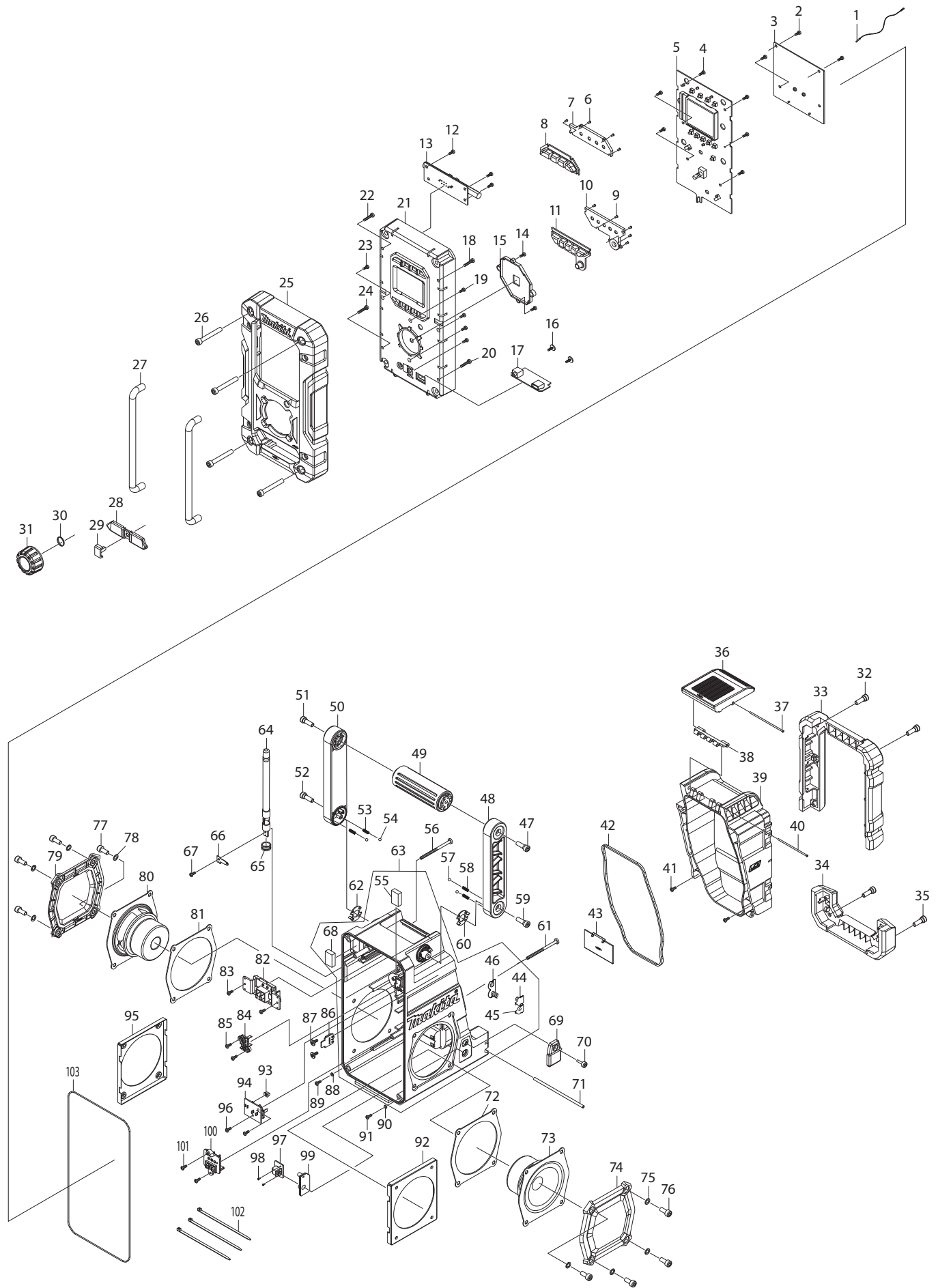


Model XDT15ZB Parts List

A = Standard Equipment

O = Circuit Diagram

Item#	Part#	Description	Q'ty	Unit
001	183E57-7	HOUSING SET	1	
	C10 252126-6	HEX. LOCKING NUT M4-7	2	PC.
	D10	INC. 35		
002	852P14-9	XDT15 NAME PLATE	1	
003	266429-2	TAPPING SCREW 3X16	9	PC.
004	455053-8	F/R CHANGE LEVER	1	PC.
005	143975-1	SWITCH COMPLETE	1	
006	619415-6	ROTOR	1	
007	629233-4	STATOR	1	
008	620521-2	LED CIRCUIT	1	PC.
009	643860-3	TERMINAL	1	PC.
010	231965-7	RING SPRING 10	1	PC.
011	267143-3	FLAT WASHER 11	1	PC.
012	233005-7	COMPRESSION SPRING 13	1	PC.
013	326803-7	BIT SLEEVE	1	
014	424914-3	BUMPER	1	
016	144132-4	HAMMER CASE COMPLETE	1	
017	261159-0	NYLON WASHER 19	1	
018	216002-8	STEEL BALL 4.8	2	PC.
019	326630-2	ANVIL M	1	
020	324894-2	HAMMER	1	PC.
021	216019-1	STEEL BALL 3	24	PC.
022	267380-9	FLAT WASHER 20	1	PC.
023	232326-4	COMPRESSION SPRING 21	1	
024	267813-4	WASHER 21	1	PC.
025	216019-1	STEEL BALL 3	2	PC.
026	221437-0	SPUR GEAR 17	2	
027	324897-6	SPINDLE	1	PC.
028	268217-3	PIN 3.5	2	PC.
029	253052-2	FLAT WASHER 12	1	PC.
030	227316-0	INTERNAL GEAR 43	1	PC.
032	213479-8	O RING 33	1	PC.
033	141893-7	BEARING BOX COMPLETE	1	PC.
035	183E57-7	HOUSING SET	1	
	C10 252126-6	HEX. LOCKING NUT M4-7	2	PC.
	D10	INC. 1		
036	144137-4	SWITCH PLATE COMPLETE	1	
039	266490-9	TAPPING SCREW PT 2X6	3	PC.
041	620586-4	CONTROLLER	1	
042	810H96-9	CAUTION LABEL	1	
A01	266622-8	+ TRUSS HEAD SCREW M4X12	1	PC.
A02	346449-3	HOOK	1	PC.



Model XRM06B Parts List

A = Standard Equipment

O = Circuit Diagram

Item#	Part#	Description	Q'ty	Unit
001	SE00000437	WIRE	1	PC.
002	SE00000325	SCREW PTB 3X8(NI)	3	PC.
003	SE00000477	PCB A ASS'Y (DMR108) 05AaXA2	1	PC.
004	SE00000325	SCREW PTB 3X8(NI)	6	PC.
005	SE00000479	PCB C ASS'Y USA 07CAXA2	1	PC.
006	SE09090011	SCREW 1.7	4	PC.
007	SE00000333	POWER BUTTON HOLDER	1	PC.
008	SE00000334	POWER BUTTON	1	PC.
009	SE09090011	SCREW 1.7	5	PC.
010	SE00000336	PRESET BUTTON HOLDER	1	PC.
011	SE00000337	PRESET BUTTON	1	PC.
012	SE00000325	SCREW PTB 3X8(NI)	3	PC.
013	SE00000339	PCB P ANT BAR ASS'Y	1	PC.
014	SE00000325	SCREW PTB 3X8(NI)	2	PC.
015	SE00000239	KNOB LENS HOLDER	1	PC.
016	SE00000193	SCREW 3X10	2	PC.
017	SE00000343	PCB P USB ASS'Y	1	PC.
018	SE09064161	SCREW M4X16	1	PC.
019	SE00000325	SCREW PTB 3X8(NI)	4	PC.
020	SE09064161	SCREW M4X16	1	PC.
021	SE00000347	FRONT CABINET ASS'Y	1	PC.
022	SE09064161	SCREW M4X16	1	PC.
023	SE00000325	SCREW PTB 3X8(NI)	1	PC.
024	SE09064161	SCREW M4X16	1	PC.
025	SE00000352	FRONT BUMPER	1	PC.
026	SE00000160	SCREW PTHE6X47(CR)	4	PC.
027	SE0338PC5Z	FRONT BAR	2	PC.
028	SE00000355	JACK RUBBER COVER	1	PC.
029	SE00000356	JACK COVER	1	PC.
030	SE21B1110A	ROTARY KNOB RING	1	PC.
031	SE00000482	ROTARY KNOB (BLK)	1	PC.
032	SE09176166	HEX SCREW M6X16	2	PC.
033	SE00000358	BATTERY BUMPER	1	PC.
034	SE00000360	REAR BUMPER(BLK)	1	PC.
035	SE09176166	HEX SCREW M6X16	2	PC.
036	SE00000363	LOCKER COVER(BLK)	1	PC.
037	SE00000364	LOCKER FIXER PIN 73.5MM	1	PC.
038	SE00000366	LOCK HINGER(BLK)	1	PC.
039	SE00000484	BATTERY COVER(BLK)	1	PC.
040	SE00000369	LOCKER FIXER PIN 64.5MM	1	PC.
041	SE00000325	SCREW PTB 3X8(NI)	2	PC.
042	SE00000371	BATTERY COVER PACKING	1	PC.
043	SE00000248	BACK UP BATTERY COVER	1	PC.
044	SE00000466	BATTERY CONTACT(+) 2100RA00700	1	PC.
045	SE00000467	BATTERY CONTACT (-)2100PL00200	1	PC.
046	SE021E9030	+/- BATTERY CONTACT ASS'Y	1	PC.
047	SE00000176	SCREW PTHE6X20(CR)	1	PC.
048	SE00000249	HANDLE HOLDER(R)	1	PC.
049	SE00000179	HANDLE	1	PC.

050	SE00000250	HANDLE HOLDER(L)	1 PC.
051	SE00000176	SCREW PTHE6X20(CR)	1 PC.
052	SE09176166	HEX SCREW M6X16	1 PC.
053	SE00000184	SPRING	2 PC.
054	SE09994007	STEEL BALL	2 PC.
055	SE023PC020	EVA 25X18X5.5	1 PC.
056	SE00000445	SCREW PTB 3X45(NI)	1 PC.
057	SE09994007	STEEL BALL	2 PC.
058	SE00000184	SPRING	2 PC.
059	SE09176166	HEX SCREW M6X16	1 PC.
060	SE00000187	HANDLE SUS-PLATE (R)	1 PC.
061	SE00000445	SCREW PTB 3X45(NI)	1 PC.
062	SE00000192	HANDLE SUS-PLATE(L)	1 PC.
063	SE00000486	REAR CABINET(BLK) ASS'Y	1 PC.
064	SE00000395	RUBBER ANT 88-108(BLK)	1 PC.
065	SE00000398	ROD ANT PACKING	1 PC.
066	SE00000396	ROD ANT TERMINAL	1 PC.
067	SE00000325	SCREW PTB 3X8(NI)	1 PC.
068	SE023PC020	EVA 25X18X5.5	1 PC.
069	SE00000403	DC RUBBER COVER	1 PC.
070	SE00000404	SCREW PTHE 3X14(CR)	1 PC.
071	SE021PC030	BATTERY COVER LOCKER	1 PC.
072	SE00000406	SPEAKER PACKING	1 PC.
073	SE00000407	SPEAKER(R)	1 PC.
074	SE00000408	SPEAKER PANEL ASS'Y	1 PC.
075	SE024J9040	PACKING	4 PC.
076	SE9076146A	HEX SCREW M6X14	4 PC.
077	SE9076146A	HEX SCREW M6X14	4 PC.
078	SE024J9040	PACKING	4 PC.
079	SE00000408	SPEAKER PANEL ASS'Y	1 PC.
080	SE00000438	SPEAKER (L)	1 PC.
081	SE00000406	SPEAKER PACKING	1 PC.
082	SE00000416	TERMINAL E (B)	1 PC.
083	SE00000325	SCREW PTB 3X8(NI)	2 PC.
084	SE00000200	TERMINAL C	1 PC.
085	SE00000325	SCREW PTB 3X8(NI)	2 PC.
086	SE00000423	PCB B AUX IN 2 ASS'Y	1 PC.
087	SE00000193	SCREW 3X10	2 PC.
088	SE00000199	SILICON RUBBER WASHER	1 PC.
089	SE00000325	SCREW PTB 3X8(NI)	1 PC.
090	SE00000199	SILICON RUBBER WASHER	1 PC.
091	SE00000325	SCREW PTB 3X8(NI)	1 PC.
092	SE00000422	SPEAKER HOLDER	1 PC.
093	SE00000487	SWITCH KNOB (BLK)	1 PC.
094	SE00000488	PCB D BATTERY SWITCH ASS'Y	1 PC.
095	SE00000422	SPEAKER HOLDER	1 PC.
096	SE00000325	SCREW PTB 3X8(NI)	2 PC.
097	SE00000433	PCB B DC JACK ASS'Y	1 PC.
098	SE09090011	SCREW 1.7	2 PC.
099	SE00000489	DC JACK HOLDER (BLK)	1 PC.
100	SE00000473	TERMINAL 10.8V ASSY 011 WA1	1 PC.
101	SE00000325	SCREW PTB 3X8(NI)	1 PC.
102	SE00000195	W/TIES 100MM	3 PC.
103	SE024PC040	PACKING	1 PC.
A01	SE00000458	AC ADAPTER	1 PC.