

INSTALLATION INSTRUCTIONS

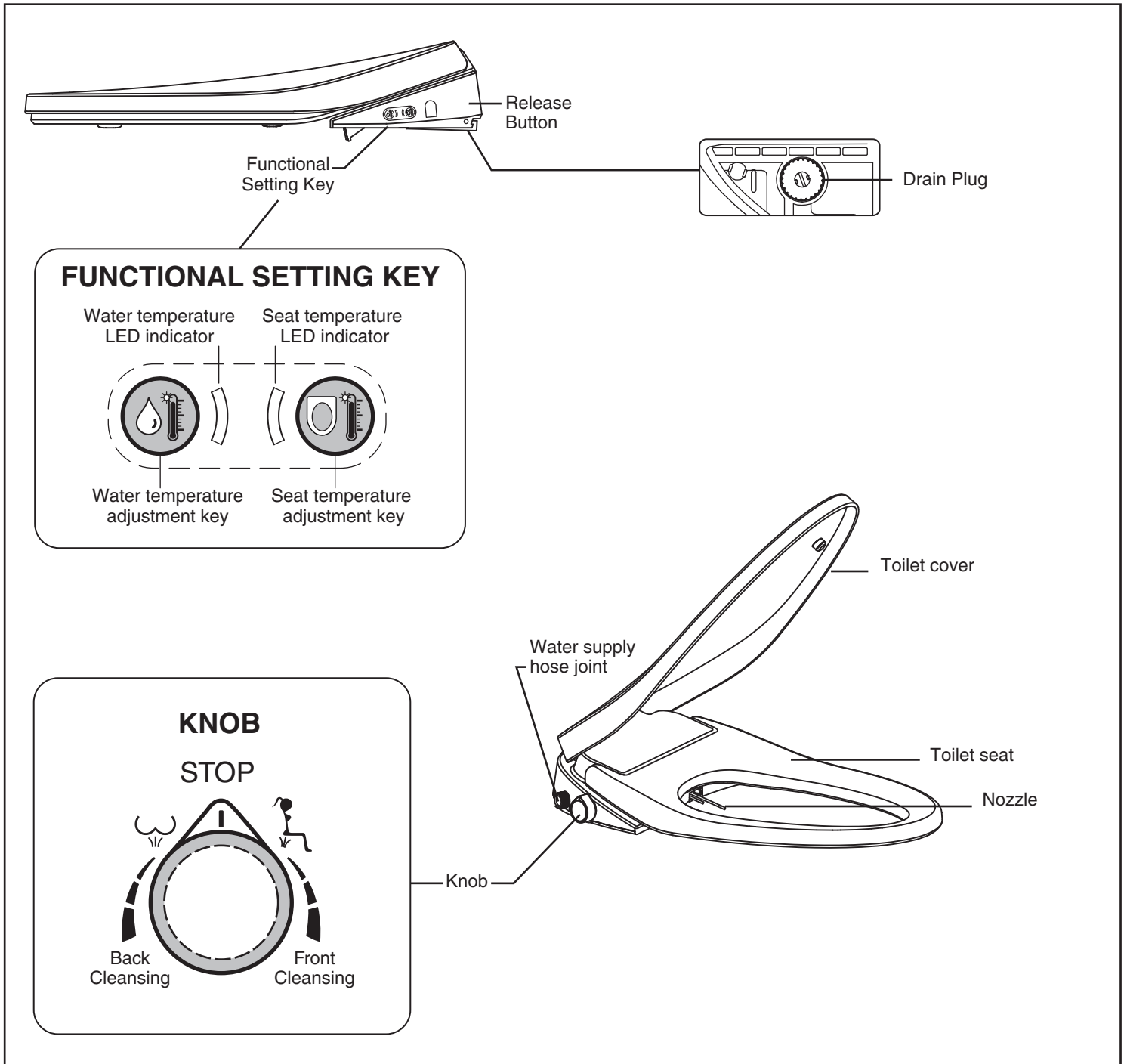
American Standard

AquaWash® 2.0 SpaLet® Seat

Model 8019A60GPC

Thank you for selecting American Standard – the benchmark of fine quality for over 100 years. To ensure this product is installed properly, please read these instructions carefully before you begin. (Certain installations may require professional help.) Also be sure your installation conforms to local codes.

NOTE: Pictures may not exactly depict toilet seat and components.



SAVE FOR FUTURE USE

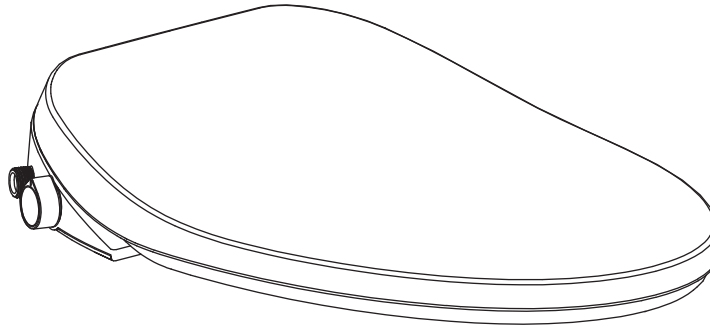


760294-100

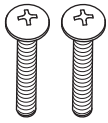
All product names listed herein are trademarks of AS America, Inc. unless otherwise noted.
© AS America, Inc. 2018

760294-100

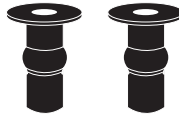
1 SpaLet® Seat



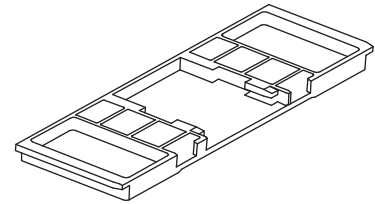
2 Fixing Components



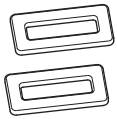
Bolt (2)



Insert (2)
(Apply to Top Mount)



Base Plate (1)



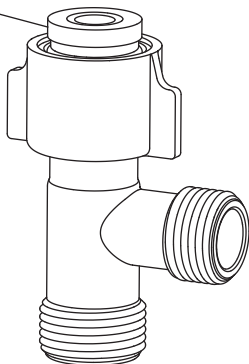
Sliding Plate (2)



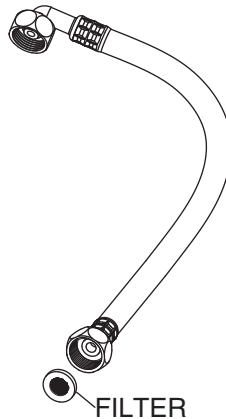
Nut (2)
(Apply to Bottom Mount)

3 T-SHAPED ADAPTER

GASKET

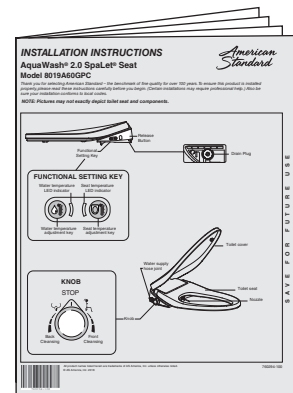


4 CONNECTION HOSE WITH FILTER



FILTER

5 USER'S MANUAL



INSTALLATION

Please read the instructions carefully before installing and using.



WARNING

The product requires a flexible supply hose.

The water shutoff valve should be near the installed product for ease of installation.

Do not use in hot water line. Temperature above 104°F / 40°C will damage the product and void your warranty.

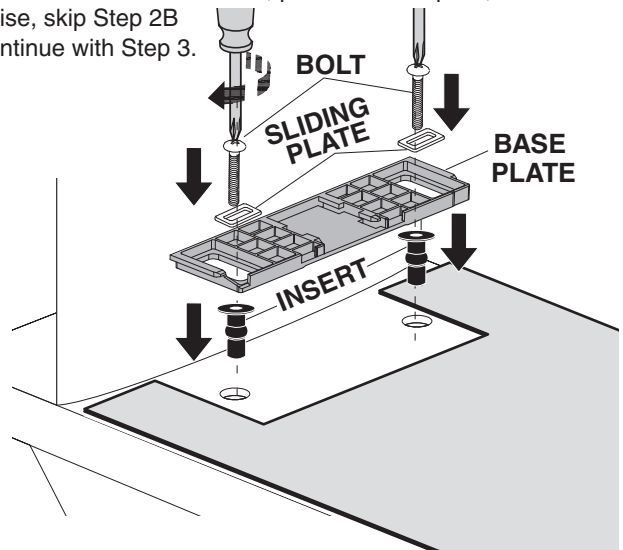
1 Remove existing toilet seat.



2A

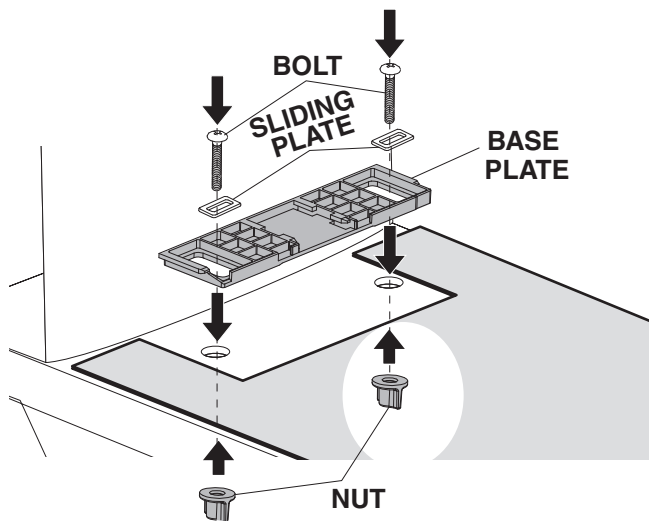
Press the inserts into the toilet bowl holes. Align the base plate to the slotted area of the template and then place the hardware onto the base plate as shown. Using a medium size Phillips screwdriver, start screwing down the bolts into the inserts until the base plate is fixed.

If the insert does not fit the bowl, proceed to Step 2B, otherwise, skip Step 2B and continue with Step 3.



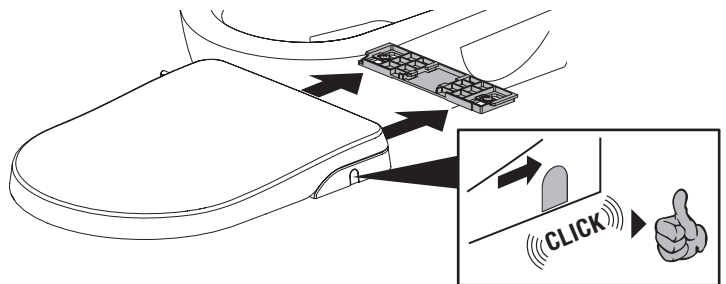
2B

Place the base plate in the slotted area of the template and then place the hardware onto the base plate as shown. Screw in the nuts from the underside of the ceramic until the base plate is fixed.



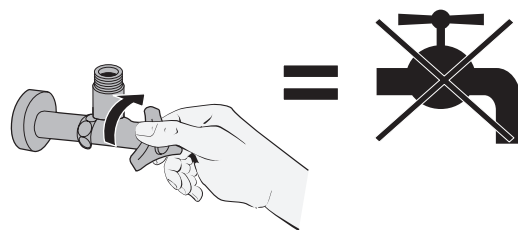
3

Slide the SpaLet® seat across the base plate until you hear a click. The SpaLet seat is now assembled to the bowl.



4

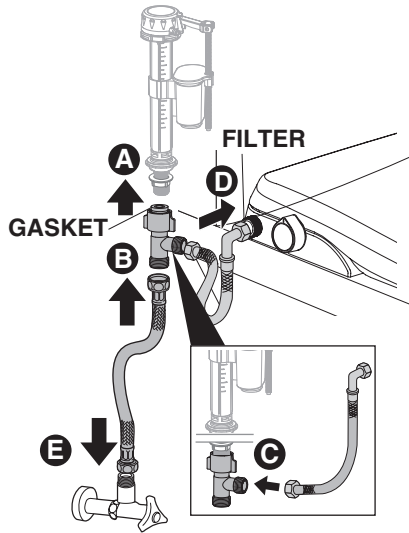
Turn off the water supply by turning off the water shutoff valve, then disconnect the supply hose. If you are using a rigid supply line you will need to purchase a flexible supply hose to install the SpaLet seat.



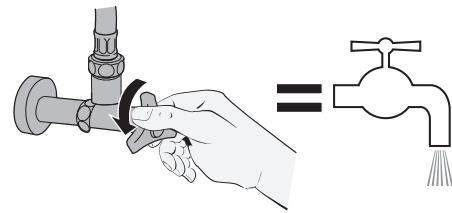
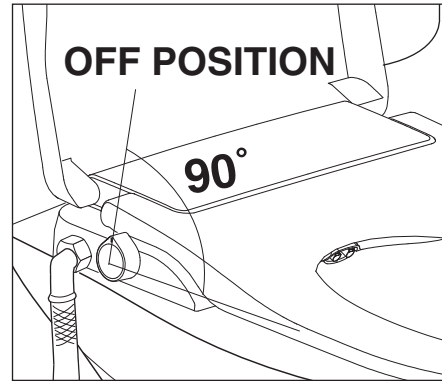
5 Install T-shaped adapter to the fill valve and supply hose as shown. Connect the included connection hose with filter on to the T-shaped adapter and the SpaLet® seat inlet.

⚠ WARNING
Make sure the filter and seal on the connection hose are installed along with the hose.

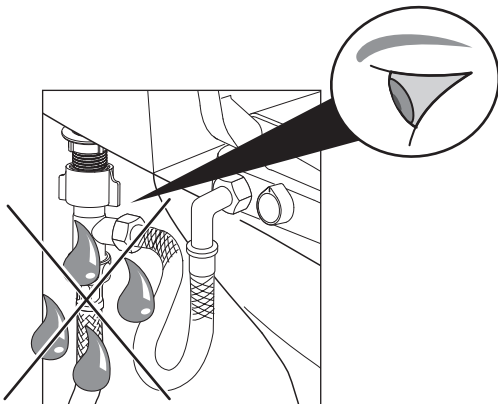
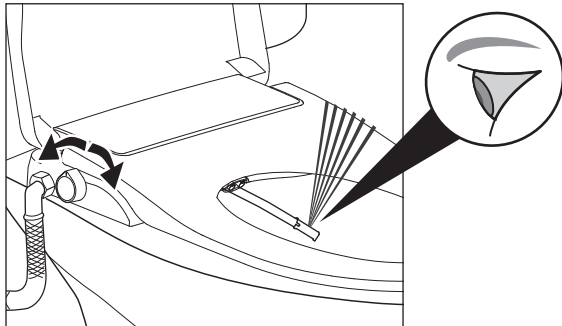
⚠ DO NOT OVERTIGHTEN THE THREADED CONNECTIONS.
The connections may be broken or the threads may be damaged if over torqued.



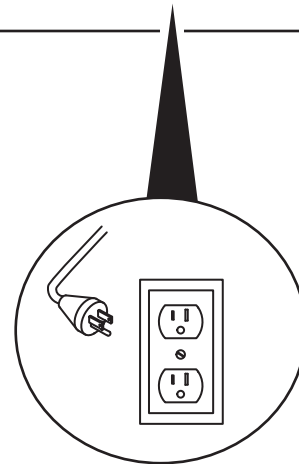
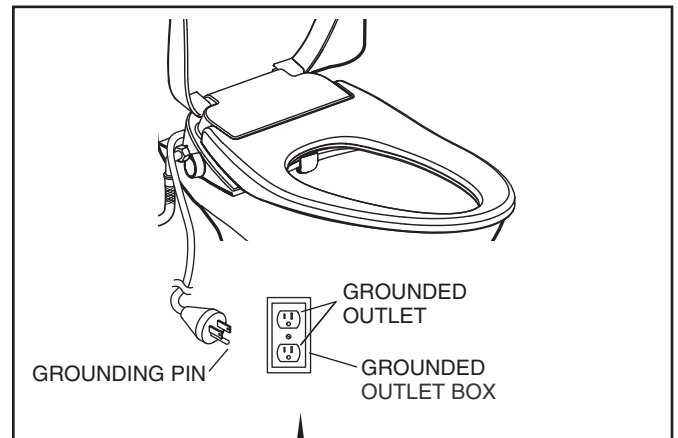
6 Make sure the control knob on the SpaLet seat is at the 90° off position. Turn the water shutoff valve back on.



7 While sitting on the seat, rotate the control knob forward or backward for functional testing. Also, check the connections to make sure there are no leaks. If you find leaks retighten the connections.



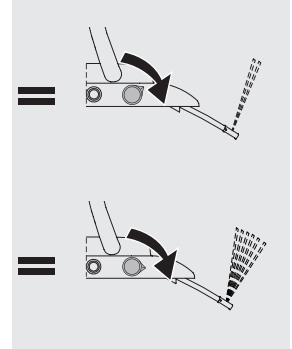
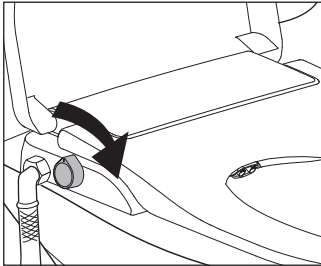
8 Plug power cord into designated AC power outlet.



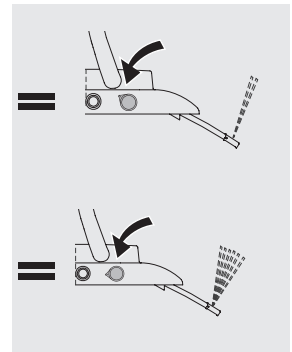
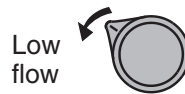
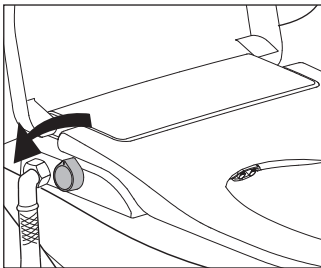
KNOB OPERATION

1. When the power cord is plugged into the AC wall socket, the SpaLet® is automatically powered ON and the KNOB light and Night light are constantly ON.
2. When the KNOB is turned to the Front or Back washing function, the KNOB's light will start to glow ON & OFF indicating one of the wands are extending.
3. When the KNOB is in the OFF or 90 degree position, the KNOB's light is ON.

FRONT CLEANSING FUNCTION

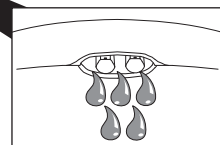
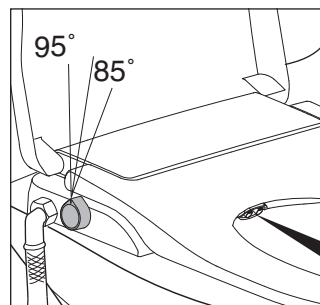
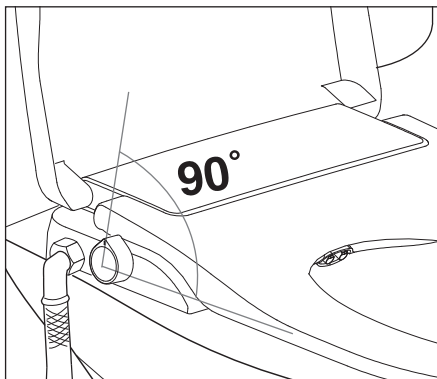


BACK CLEANSING FUNCTION




OFF AND SELF-CLEANING

Keep the knob at the 90° position when not in use. The wand cleans itself after each use. For additional cleaning of the wand, position the knob at 85° or 95° for a few seconds and then reposition back to 90°.




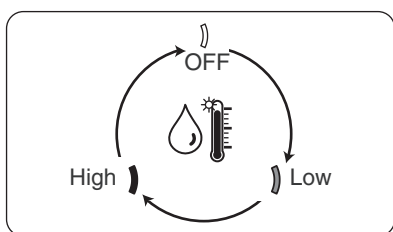
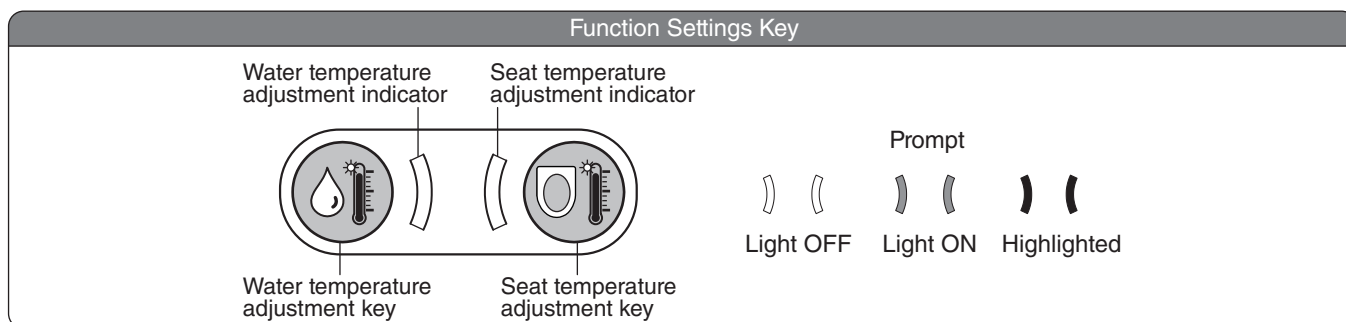
WATER AND SEAT TEMPERATURE SETTINGS


For Water Temperature description, follow below

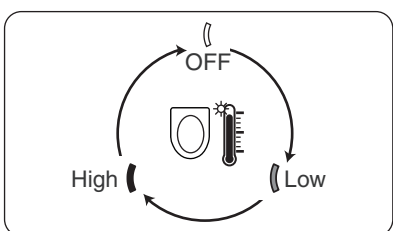
Press the icon illustrating the “Water ” temperature button and the LED light for it will turn ON indicating Low Temp or about 95°F / 35°C. Press the button again and the LED light will appear brighter indicating a higher temperature, about 100°F / 38°C. Press a 3rd time and the LED will go OFF indicating heater is off.


For Seat Temperature description, follow below

Press the icon illustrating the “Seat ” temperature button and the LED light for it will turn ON indicating Low Temp or about 91°F / 33°C. Press the button again and the LED light will appear brighter indicating a higher temperature, about 98.6°F / 37°C. Press a 3rd time and the LED will go OFF indicating the heater is off.



- Repeatedly press “” will switch over water temperature in the sequence indicated in the left figure.
- When you turn off the water temperature you will hear beeping for two seconds; when you switchover you will hear beeping for one second.
- Water temperature low setting: about 95°F / 35°C.
Water temperature high setting: about 100°F / 38°C.



- Repeatedly press “” will switch over water temperature in the sequence indicated in the left figure.
- When you turn off the water temperature you will hear beeping for two seconds; When you switchover you will hear beeping for one second.
- Seat temperature low setting: about 91.4°F / 33°C.
Seat temperature high setting: about 98.6°F / 37°C.

PROTECTION FEATURES:

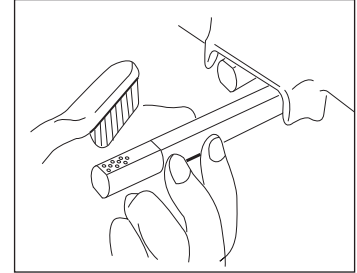
1. When seated for 5 minutes or longer, the SpaLet® will go into a Low temperature mode.
2. If the KNOB is not set to OFF (90 degrees up position) when a person moves off the seat, an alarm function will turn ON indicating one of the wands are still extended.

CLEANING AND MAINTENANCE

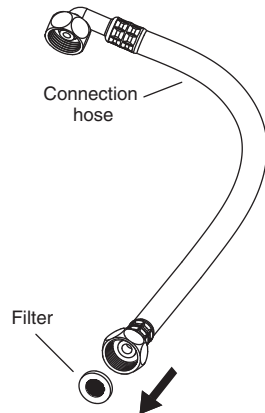
1 DO NOT USE AGGRESSIVE CHEMICALS: for example: hydrogen chloride, paint thinner, benzene, abrasive cloth or paper, polishing agent, fragrance, insecticide, etc.



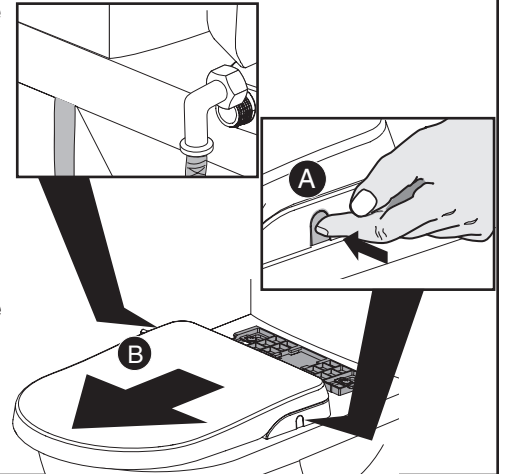
2 You will need to clean the wands when they get build up of residue and calcium. You can pull the wands out with your finger and then with a soft bristle toothbrush, brush the nozzle head.



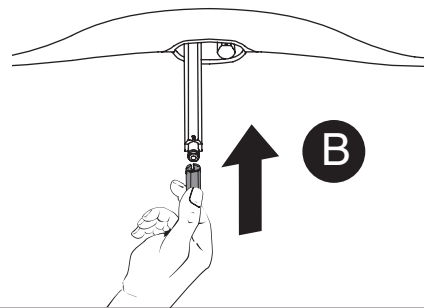
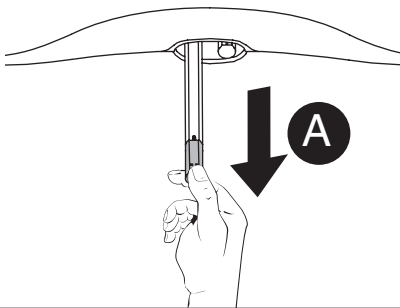
3 If you start to notice that the flow of water is low when using the SpaLet® seat it may be time for the filter to be cleaned out. Especially with new home construction or newly renovated plumbing there are a lot of sediments in the water. You will need to remove the connection hose and clean out the filter as needed.



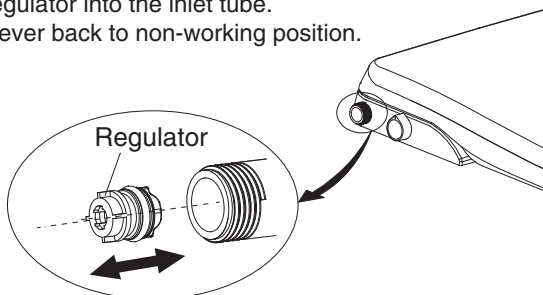
4 You can remove the SpaLet seat by pressing the release button on the right side of the SpaLet seat and sliding the seat forward as shown. This enables you to be able to clean more thoroughly around the toilet. Make sure to disconnect the connection hose before you do this.



5 The nozzles can be removed if needed for cleaning. First turn off the water supply to the SpaLet seat. As per figure A, pull out the tube and remove the old nozzle by pulling out straight, as shown. As per figure B, insert the new nozzle into the tube along the corresponding slot.

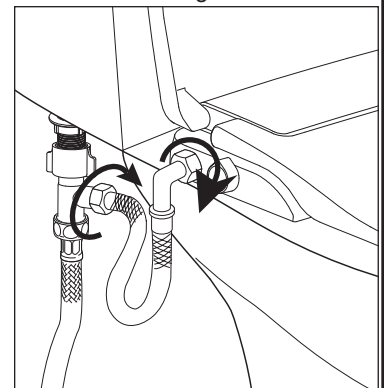


6 The incoming water pressure is regulated by a regulator insert. This can be removed and replaced. First turn off the water supply and disconnect the connection hose. Rotate the lever to the on position, pull out the regulator from the inlet tube with needle-nose pliers. Press the new regulator into the inlet tube. Then rotate the lever back to non-working position.



7 If anything shall leak, retighten the connection and use teflon tape if needed. If water leaks from the two ends of the water hose, retighten the nuts to avoid water leaking

! WARNING
DO NOT OVERTIGHTEN
AS IT WILL DAMAGE
THE CONNECTION.
HAND TIGHTENING IS
RECOMMENDED.



TROUBLESHOOTING GUIDE

PROBLEM	POSSIBLE CAUSE	CORRECTIVE ACTION
Water is too low during WASH/BIDET	1. Low water pressure of the unit	During WASH/BIDET, turn the knob to a higher setting
	2. Low water pressure of water supply	When water supply pressure is lower than 0.07 MPa (10 psi)
No water comes out during WASH/BIDET	1. Water shut-off valve is turned off	Turn on the water shut-off valve
	2. Filter of T-shaped connector is stuck	Clean the filter of T-shaped connector
	3. Filter of water inlet hose is stuck	Clean the filter of water inlet hose
	4. Nozzle head is stuck	Take off and clean the nozzle head
	5. External water pressure is low	Increase external water pressure
Water dropping from bowl when using the unit	External water pressure is too high	The maximum water pressure of the unit is 0.8 MPa (115 psi). If water supply pressure is higher than that, please contact local department for water pressure question.
No LED lights ON	No power	Check AC power cord and/or AC fuse breaker/fuse box
Seat Temperature too high/low	Not adjusted correctly	Adjust to desirable temperature
Water flows out when seated	Self-cleaning function is enabled	This is normal and will automatically stop in 5 seconds
Main AC breaker/fuse continuously trips	Power usage by seat may be beyond circuit provided	Pull power cord from socket, call electrician
Buzzer continuously beeps when leaving seat	KNOB switch not set to OFF at 90 degree position	Set KNOB to OFF at 90 degree position

AS AMERICA, INC. THREE YEAR LIMITED WARRANTY

If inspection of this AS America, Inc. ("American Standard") plumbing product, within one year after its initial purchase, confirms that it is defective in materials or workmanship, American Standard will repair or, at its option, exchange the product for a similar model.

This limited warranty applies only to the original purchaser and installation of these products. In the event of a limited warranty claim, proof of purchase will be required—save sales receipt.

This limited warranty does not apply to commercial installations. The warranty for commercial installations is two years on the SpaLe[®].

This limited warranty does not apply to local building code compliance. Since local building codes vary considerably, the purchaser of this product should check with a local building or plumbing contractor to insure local code compliance before installation.

This limited warranty is void if the product has been moved from its initial place of installation; if it has been subjected to faulty maintenance, abuse, misuse, accident or other damages; if it was not installed in accordance with American Standard's instructions; or if it has been modified in a manner inconsistent with the product as shipped by American Standard.

American Standard's option to repair or exchange the product under this limited warranty does not cover any labor or other costs of removal or installation. IN NO EVENT WILL AMERICAN STANDARD BE LIABLE FOR THE COST OF REPAIR OR REPLACEMENT OF ANY INSTALLATION MATERIALS, INCLUDING BUT NOT LIMITED TO, TILES, MARBLE, ETC. American Standard will not be responsible for any other incidental or consequential damages attributable to a product defect or to the repair or exchange of a defective product, all of which are expressly excluded from this limited warranty. This limited warranty does not cover any liability for consequential or incidental damages, all of which are hereby expressly disclaimed, or the extension beyond the duration of this limited warranty of any implied limited warranties, including those of merchantability or fitness for an intended purpose. (Some states or provinces do not allow the exclusion or limitation of implied limited warranties, so this exclusion may not apply to you.)

This limited warranty gives you specific legal rights. You may have other statutory rights that vary from state to state or from province to province, in which case this limited warranty does not affect such statutory rights.

In the United States:
 American Standard Brands
 1 Centennial Ave.
 Piscataway, New Jersey 08854
 Attention: Director of Customer Care

For residents of the United States, warranty information may also be obtained by calling the following toll free number: (800) 442-1902
www.americanstandard.com

In Canada:
 LIXIL Canada, Inc
 5900 Avebury Rd.
 Mississauga, Ontario
 Canada L5R 3M3

Toll Free: (800) 387-0369
www.americanstandard.ca

In Mexico:
 American Standard B&K Mexico
 S. de R.L. de C.V.
 Via Morelos #330
 Col. Santa Clara
 Ecatepec 55540 Edo. Mexico

Toll Free: 01-800-839-1200
www.americanstandard.com.mx

THIS WARRANTY IS NOT TRANSFERABLE FROM ORIGINAL CONSUMER PURCHASER.

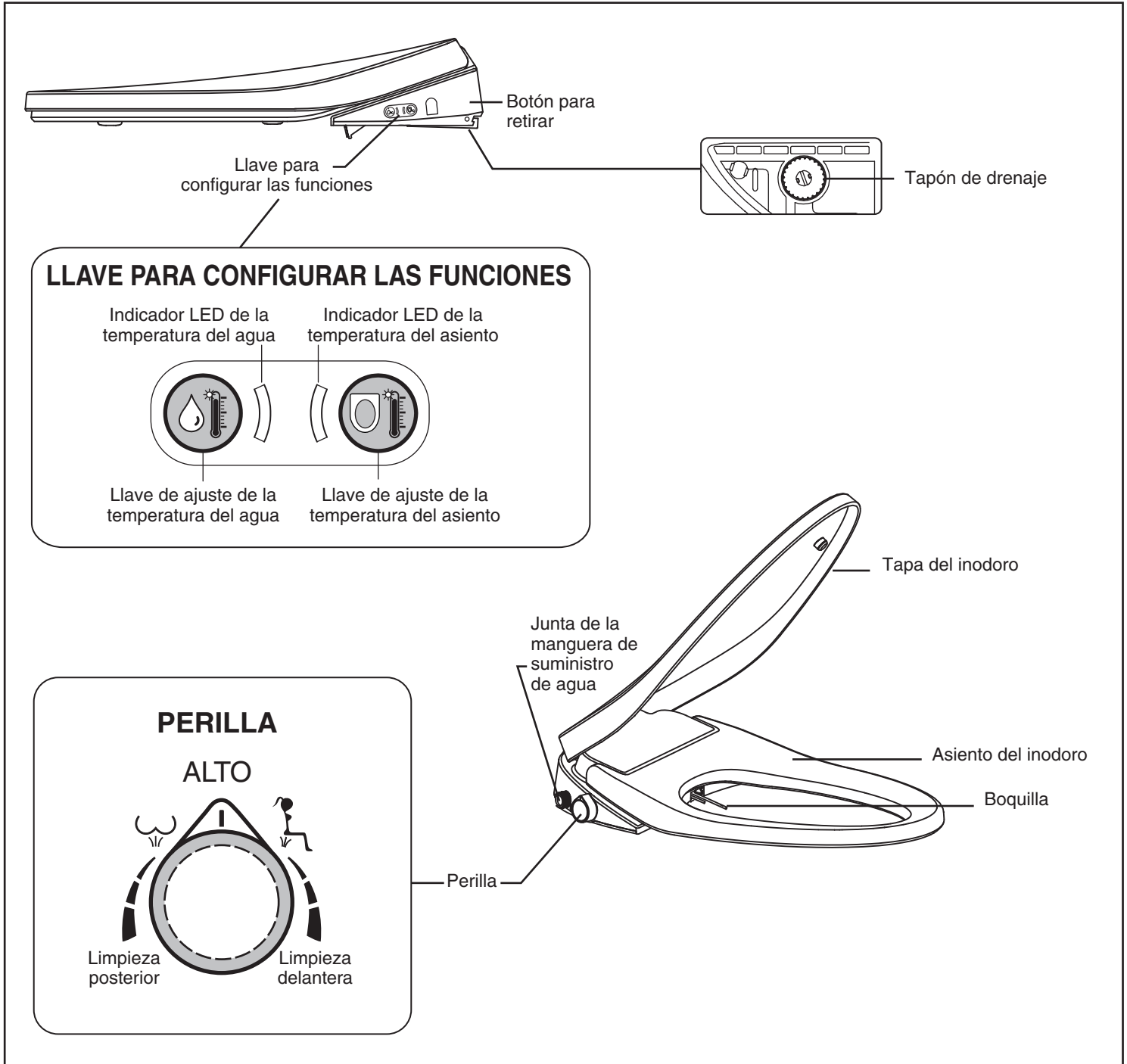
INSTRUCCIONES DE INSTALACIÓN

American Standard

Asiento SpaLet® AquaWash® 2.0 Modelo 8019A60GPC

Gracias por elegir American Standard, el parámetro de excelente calidad por más de 100 años. Para asegurar que este producto se instale de manera adecuada, lea las instrucciones con atención antes de comenzar. (Para algunas instalaciones puede necesitarse ayuda profesional). Realice la instalación de conformidad con los códigos locales.

NOTA: Las imágenes pueden no representar exactamente el asiento del inodoro y sus componentes.



G U A R D A R P A R A U S O F U T U R O

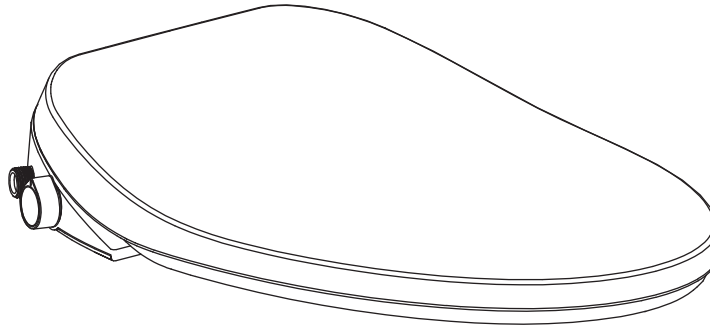


760294-100

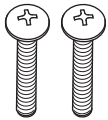
Todos los nombres de producto mencionados en este documento son marcas de comercio de AS America, Inc. salvo que se indique lo contrario.
© AS America, Inc. 2018

760294-100SP

1 Asiento SpaLet®



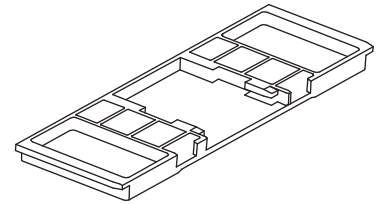
2 Elementos de fijación



Perno (2)



Inserción (2)
(Aplicar al montaje superior)



Placa de base (1)



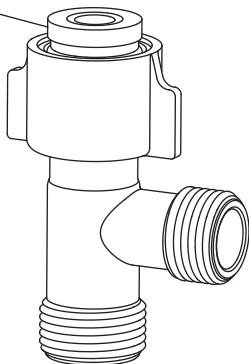
Placa corrediza (2)



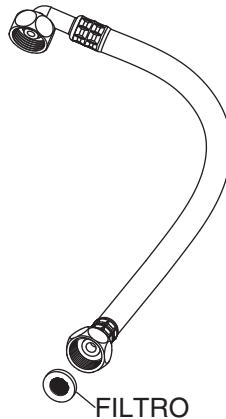
Tuerca (2)
(Aplicar al montaje inferior)

3 ADAPTADOR EN FORMA DE T

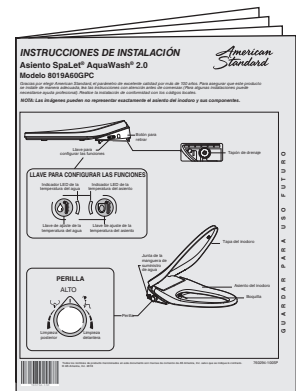
JUNTA



4 MANGUERA DE CONEXIÓN CON FILTRO



5 MANUAL DEL USUARIO



INSTALACIÓN

Lea con atención las instrucciones antes de instalar y usar el producto.

! ADVERTENCIA

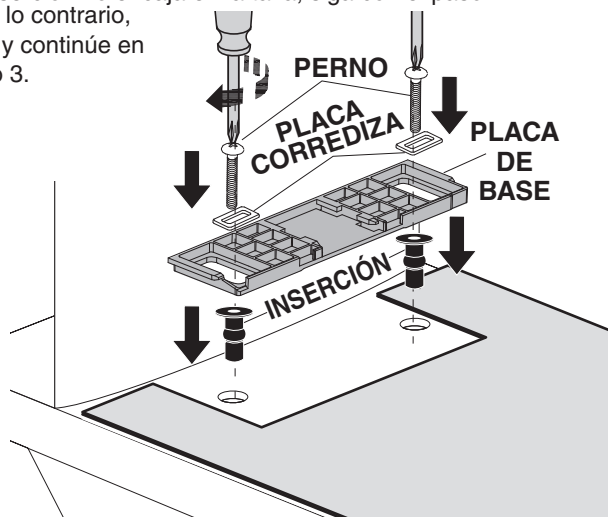
Este producto requiere una manguera de suministro flexible. La válvula de cierre del agua debe estar cerca del producto instalado para facilitar su instalación. No la use en la línea de agua caliente. Una temperatura superior a 104°F / 40°C dañará el producto y anulará su garantía.

- 1** Retire el asiento del inodoro viejo.

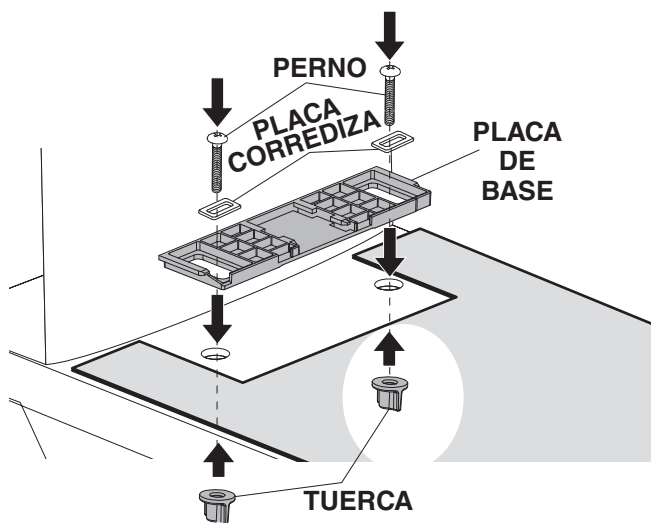


- 2A** Presione las inserciones en los orificios de la taza del inodoro. Alinee la placa de base con la zona ranurada de la plantilla. Luego coloque la ferretería en la placa de base tal como se muestra. Use un destornillador Phillips mediano para atornillar los pernos en las inserciones hasta que la placa de base esté fija.

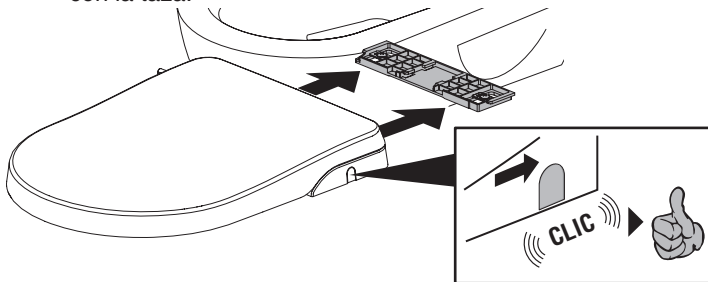
Si la inserción no encaja en la taza, siga con el paso 2B. De lo contrario, sáltelo y continúe en el paso 3.



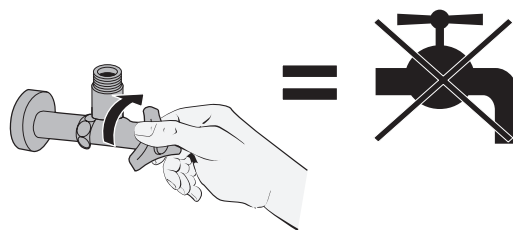
- 2B** Coloque la placa de base en la zona ranurada de la plantilla. Luego coloque la ferretería en la placa de base tal como se muestra. Atornille las tuercas desde la parte inferior de la cerámica hasta que la placa de base esté fija.



- 3** Deslice el asiento SpaLet® a lo largo de la placa de base hasta oír un clic. El asiento SpaLet ya está ensamblado con la taza.



- 4** Cierre el suministro de agua apagando la válvula de cierre del agua. Luego, desconecte la manguera de suministro. Si está usando una línea de suministro rígida, deberá comprar una manguera de suministro flexible para instalar el asiento SpaLet.



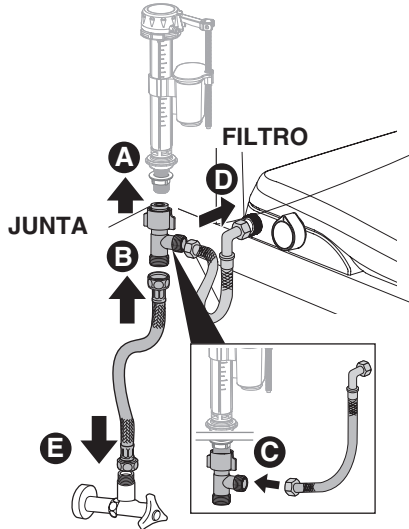
5 Instale el adaptador en forma de T en la válvula de llenado y la manguera de suministro, tal como se indica. Conecte la manguera de conexión incluida con el filtro al adaptador en forma de T y la entrada del asiento SpaLet®.

⚠ ADVERTENCIA

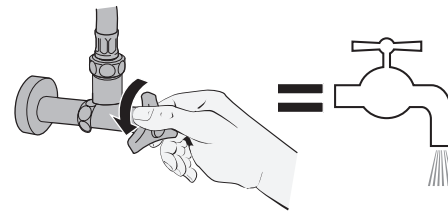
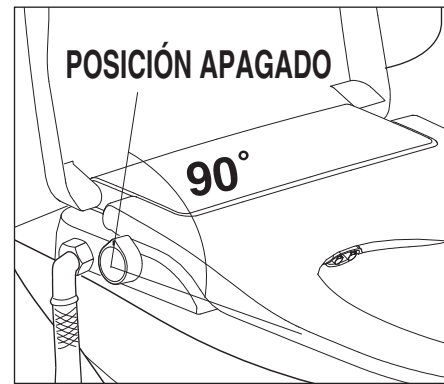
El filtro y el empaque en la manguera de conexión deben estar instalados junto con la manguera.

⚠ NO AJUSTE EN EXCESO LAS CONEXIONES ROSCADAS.

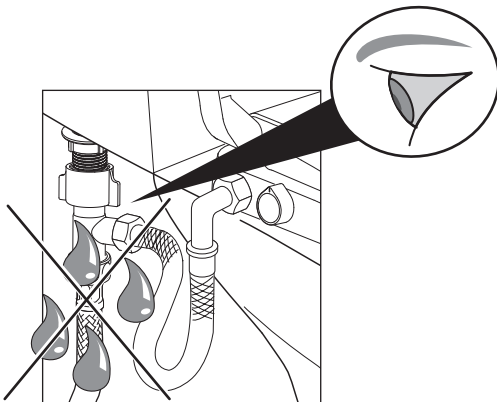
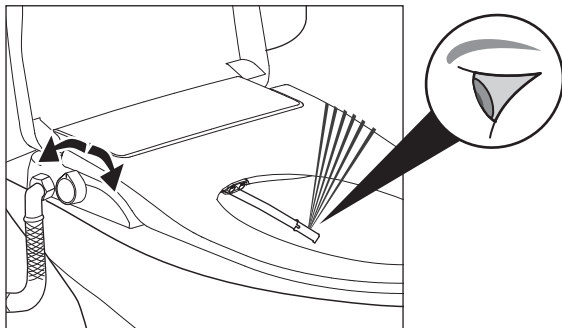
Las conexiones pueden romperse o las roscas pueden dañarse si se tuercen.



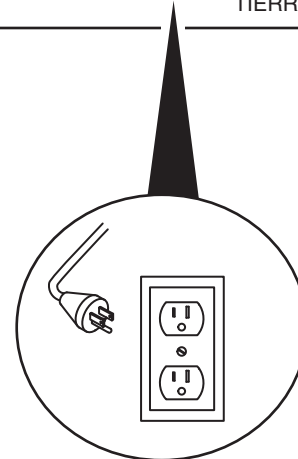
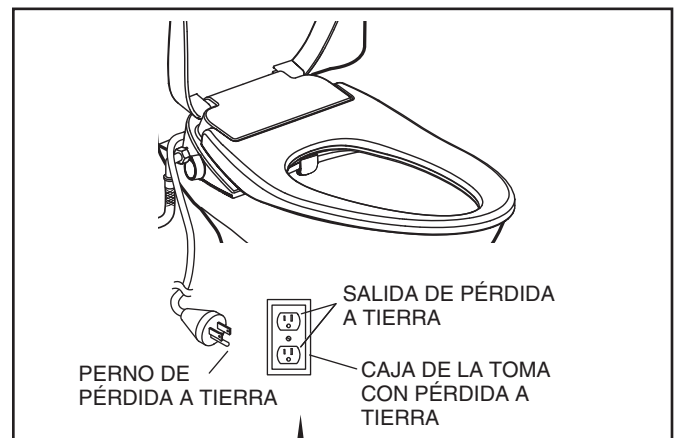
6 La perilla de control en el asiento SpaLet debe estar en la posición de apagado a 90°. Vuelva a encender la válvula de cierre del agua.



7 Mientras está sentado en el asiento, rote la perilla de control hacia adelante o atrás para probar el funcionamiento. También verifique que las conexiones no tengan fugas. Si halla fugas, vuelva a ajustar las conexiones.



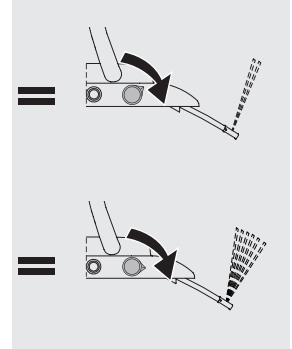
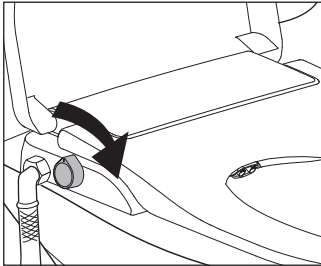
8 Enchufe el cable de electricidad en la toma AC designada.



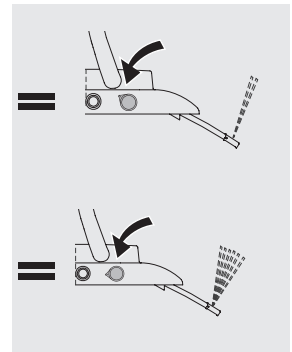
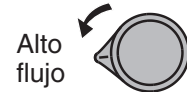
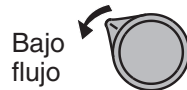
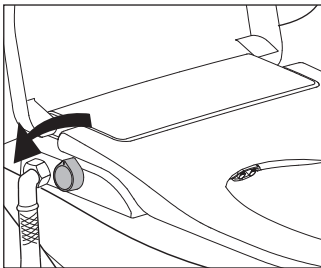
FUNCIONAMIENTO DE LA PERILLA

1. Cuando el cable de electricidad se enchufa en la toma de pared AC, el SpaLet® SE ENCIENDE automáticamente y la luz de la PERILLA y la luz de noche quedan ENCENDIDAS constantemente.
2. Cuando se gira la PERILLA hacia la función de limpieza delantera o posterior, la luz de la PERILLA empieza a brillar y apagarse para indicar que una de las varillas está encendida.
3. Cuando la PERILLA está en la posición APAGADO o a 90 grados, SE ENCIENDE la luz de la PERILLA.

FUNCIÓN DE LIMPIEZA DELANTERA

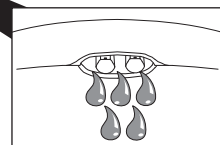
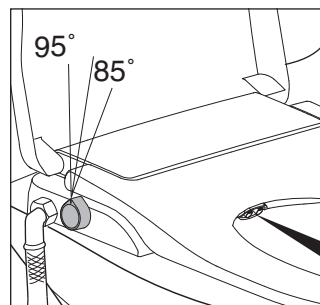
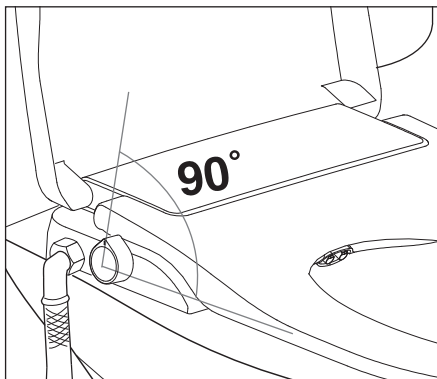


FUNCIÓN DE LIMPIEZA POSTERIOR



APAGADO Y AUTOLIMPIEZA

Mantenga la perilla en la posición de 90° mientras no se usa. La varilla se limpia sola después de cada uso. Para limpiar mejor la varilla, coloque la perilla a 85° o 95° durante algunos segundos y luego regrésela a 90°.



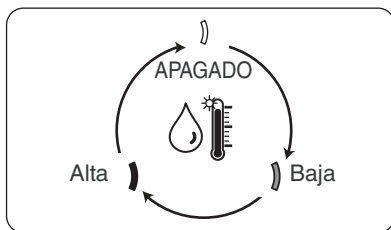
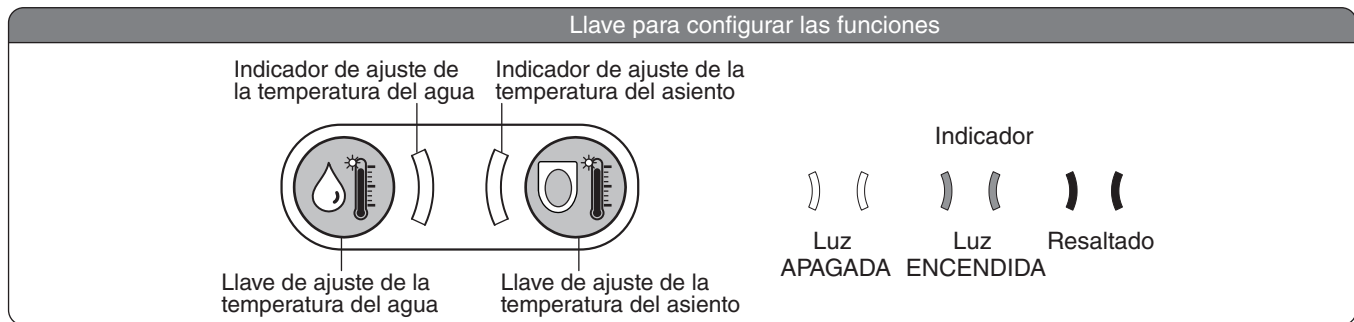
CONFIGURACIÓN DE LA TEMPERATURA DEL AGUA Y DEL ASIENTO

Para la descripción de la temperatura del agua:

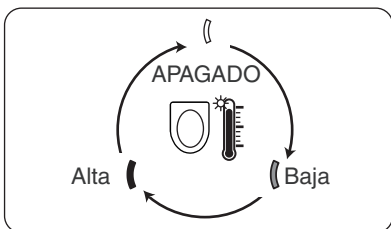
Presione el ícono del botón de la temperatura del “agua” y la luz LED se encenderá. Esto indica una baja temperatura, alrededor de 95°F / 35°C. Vuelva a presionar el botón. La luz LED brillará más, lo cual indica una temperatura más elevada, alrededor de 100°F / 38°C. Presione por tercera vez y el LED se apagará. Esto indica que el calentador está apagado.

Para la descripción de la temperatura del asiento:

Presione el ícono del botón de la temperatura del “asiento” y la luz LED se encenderá. Esto indica una baja temperatura, alrededor de 91°F / 33°C. Vuelva a presionar el botón. La luz LED brillará más, lo cual indica una temperatura más elevada, alrededor de 98.6°F / 37°C. Presione por tercera vez y el LED se apagará. Esto indica que el calentador está apagado.



- Presione varias veces “” para cambiar la temperatura del agua en la secuencia indicada en la figura izquierda.
- Cuando apague la temperatura del agua, oír un pip durante dos segundos. Cuando cambie de una temperatura a otra, oír un pip durante un segundo.
- Configuración baja de la temperatura del agua: alrededor de 95°F / 35°C.
Configuración alta de la temperatura del agua: alrededor de 100°F / 38°C.



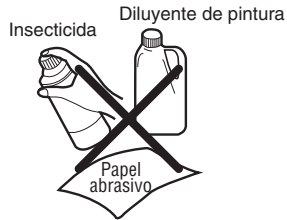
- Presione varias veces “” para cambiar la temperatura del agua en la secuencia indicada en la figura izquierda.
- Cuando apague la temperatura del agua, oír un pip durante dos segundos. Cuando cambie de una temperatura a otra, oír un pip durante un segundo.
- Configuración baja de la temperatura del asiento: alrededor de 91.4°F / 33°C.
Configuración alta de la temperatura del asiento: alrededor de 98.6°F / 37°C.

CARACTERÍSTICAS DE PROTECCIÓN:

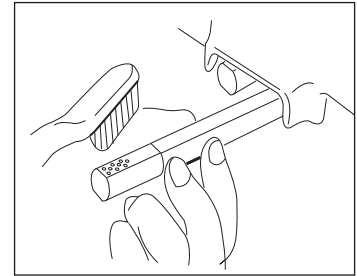
1. Cuando alguien está sentado durante 5 minutos o más, el SpaLet® pasa al modo de baja temperatura.
2. Si no se APAGA la PERILLA (posición a 90 grados) cuando una persona se levanta del asiento, se ENCIENDE una alarma que indica que una de las varillas sigue extendida.

LIMPIEZA Y MANTENIMIENTO

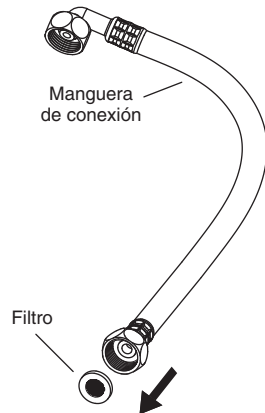
1 NO USE SUSTANCIAS QUÍMICAS AGRESIVAS: por ejemplo: cloruro de hidrógeno, diluyente de pintura, benceno, paño o papel abrasivo, agente pulidor, fragancia, insecticida, etc.



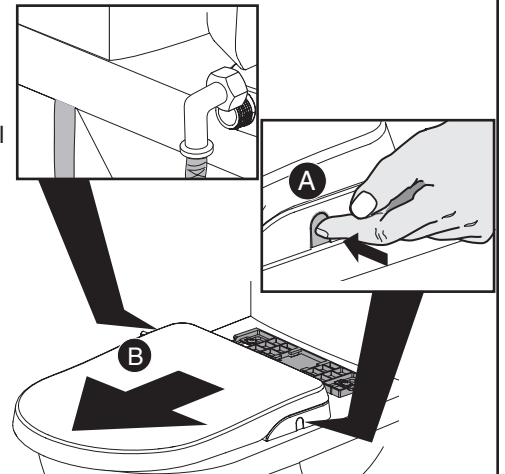
2 Debe limpiar las varillas cuando tengan acumulación de residuos y calcio. Jale las varillas con el dedo y luego cepille la cabeza de la boquilla usando un cepillo de dientes de cerdas suaves.



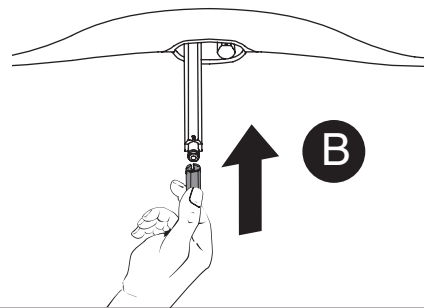
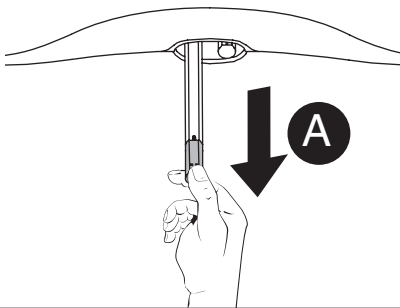
3 Si empieza a ver que el flujo de agua es bajo cuando usa el asiento SpaLet®, quizá sea el momento de limpiar el filtro. Cuando es una construcción nueva o una renovación de plomería, hay muchos sedimentos en el agua. Necesita retirar la manguera de conexión y limpiar el filtro como sea necesario.



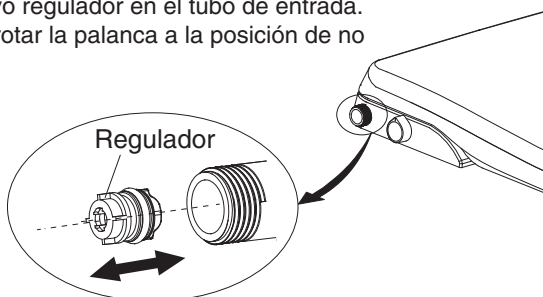
4 Retire el asiento SpaLet presionando el botón para retirar ubicado en el lado derecho del asiento SpaLet y deslizando el asiento hacia adelante, como se muestra. Así puede limpiar más a fondo alrededor del inodoro. Debe desconectar la manguera de conexión antes de realizar esto.



5 Puede retirar las boquillas para limpiarlas. Primero apague el suministro de agua al asiento SpaLet. Como se indica en la figura A, jale el tubo y retire la boquilla vieja jalándola hacia adelante. Como se indica en la figura B, inserte la nueva boquilla en el tubo en la ranura correspondiente.

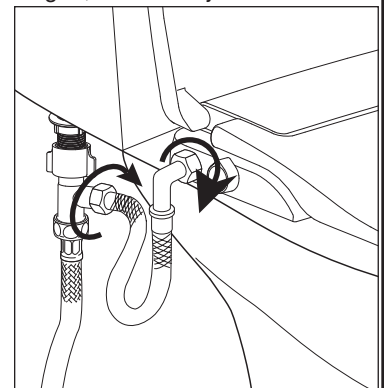


6 La presión de agua entrante es regulada por una inserción de regulador. Puede retirarse y reemplazarse. Primero apague el suministro de agua y desconecte la manguera de conexión. Rote la palanca a la posición encendido, jale el regulador del tubo de entrada usando una pinza con punta de aguja. Presione el nuevo regulador en el tubo de entrada. Luego vuelva a rotar la palanca a la posición de no funcionamiento.



7 Si hay alguna fuga, vuelva a ajustar la conexión. Use cinta de teflón si es necesario. Si hay fugas de agua en los dos extremos de la manguera de agua, vuelva a ajustar las tuercas para evitar las fugas de agua

⚠ ADVERTENCIA
NO AJUSTE EN EXCESO; DAÑARÁ LA CONEXIÓN. SE RECOMIENDA AJUSTAR A MANO.



GUÍA DE RESOLUCIÓN DE PROBLEMAS

PROBLEMA	CAUSA POSIBLE	ACCIÓN CORRECTIVA
El agua está demasiado baja durante el LAVADO/BIDÉ	1. Baja presión de agua de la unidad	Durante el LAVADO/BIDÉ, gire la perilla a una configuración más alta
	2. Baja presión de agua del suministro de agua	Cuando la presión del suministro de agua es inferior a 0.07 MPa (10 psi)
No sale agua durante el LAVADO/BIDÉ	1. La válvula de cierre del agua está apagada	Encienda la válvula de cierre del agua
	2. El filtro del conector en forma de T está atorado	Limpie el filtro del conector en forma de T
	3. El filtro de la manguera de entrada de agua está atorado	Limpie el filtro de la manguera de entrada de agua
	4. La cabeza de la boquilla está atorada	Retire y limpie la cabeza de la boquilla
	5. La presión del agua externa es baja	Aumente la temperatura de agua externa
Gotea agua de la taza cuando se usa la unidad	La presión del agua externa es demasiado alta	La presión máxima de agua de la unidad es 0.8 MPa (115 psi). Si la presión del suministro de agua es superior, comuníquese con el departamento local correspondiente.
Ninguna luz LED ENCENDIDA	No hay electricidad	Verifique el cable de electricidad AC y/ el interruptor/caja del fusible AC
La temperatura del asiento es demasiado alta/baja	No está ajustado correctamente	Ajuste a la temperatura deseada
Sale agua mientras hay alguien sentado	La función de autolimpieza está habilitada	Es normal y se detendrá automáticamente en 5 segundos
El interruptor/fusible AC principal salta continuamente	Es probable que el uso de electricidad por parte del asiento supere el circuito suministrado	Jale y retire el cable de electricidad de la toma; llame a un electricista
La alarma suena constantemente cuando alguien se levanta del asiento	El interruptor de la PERILLA no está en APAGADO, en la posición a 90 grados	Coloque la PERILLA en APAGADO a 90 grados

GARANTÍA LIMITADA DE TRES AÑOS DE AS AMERICA, INC.

Si, dentro del año de haber adquirido este producto sanitario AS America, Inc. ("American Standard") por primera vez, se confirma mediante inspección que tiene defectos en los materiales o la mano de obra, American Standard reparará o, a su opción, cambiará el producto por un modelo similar.

Esta garantía limitada se aplica solamente al comprador y a la instalación originales de los productos. En el caso de un reclamo, se exigirá la presentación del comprobante de compra; guarde su recibo.

Esta garantía limitada no se aplica a las instalaciones comerciales. La garantía para las instalaciones comerciales es de dos años para el SpaLet®.

Esta garantía no se aplica al cumplimiento de los códigos locales de construcción. Dado que los códigos locales de construcción varían considerablemente, el comprador del producto debe consultar a un contratista local de servicios de construcción o plomería para asegurar el cumplimiento de las normas locales antes de efectuar la instalación.

Esta garantía limitada quedará sin efecto si el producto se movió de su lugar inicial de instalación; en casos de mantenimiento inadecuado, abuso, uso incorrecto, accidente u otros daños; si no se instaló de acuerdo con las instrucciones de American Standard o si se lo modificó de una manera incongruente con el producto tal como fue enviado por American Standard.

La opción de American Standard de reparar o cambiar el producto conforme a esta garantía limitada no cubre los costos de mano de obra ni de otro tipo incurridos para retirar o instalar el producto. AMERICAN STANDARD NO SERÁ RESPONSABLE EN NINGÚN CASO DEL COSTO DE LA REPARACIÓN O DEL REEMPLAZO DE NINGÚN MATERIAL DE INSTALACIÓN INCLUYENDO, SIN LIMITACIÓN, LOS AZULEJOS, EL MÁRMOL, ETC. American Standard no será responsable de ningunos otros daños y perjuicios incidentales o emergentes atribuibles a un defecto del producto o a la reparación o cambio de un producto defectuoso, los cuales quedan todos excluidos expresamente de esta garantía limitada. Esta garantía limitada no cubre ninguna responsabilidad por daños y perjuicios emergentes o incidentales; quedando expresamente deslindada por el presente, o la prórroga más allá del plazo de esta garantía limitada de cualquier garantía limitada implícita, incluyendo las garantías de comerciabilidad o aptitud para un fin determinado. (Algunos estados o provincias no permiten la exclusión o limitación de garantías implícitas limitadas, por lo cual esta exclusión podría no aplicarse a su caso.)

Esta garantía limitada le otorga derechos legales específicos. Es posible que tenga otros derechos establecidos por ley que varían de un estado a otro o de una provincia a otra, en cuyo caso esta garantía limitada no afecta tales derechos establecidos por ley.

En Estados Unidos:

American Standard Brands
1 Centennial Ave.
Piscataway, New Jersey 08854
Attention: Director of Customer Care

En Canadá:

LIXIL Canada, Inc
5900 Avebury Rd.
Mississauga, Ontario
Canadá L5R 3M3

En México:

American Standard B&K Mexico
S. de R.L. de C.V.
Vía Morelos #330
Col. Santa Clara
Ecatepec 55540 Estado de México

Los residentes de Estados Unidos también pueden obtener información sobre la garantía llamando al siguiente número gratuito: (800) 442-1902
www.americanstandard.com

Número gratuito: (800) 387-0369
www.americanstandard.ca

Número gratuito: 01-800-839-1200
www.americanstandard.com.mx

ESTA GARANTÍA NO ES TRANSFERIBLE DEL COMPRADOR CONSUMIDOR ORIGINAL.

CONSIGNES D'INSTALLATION

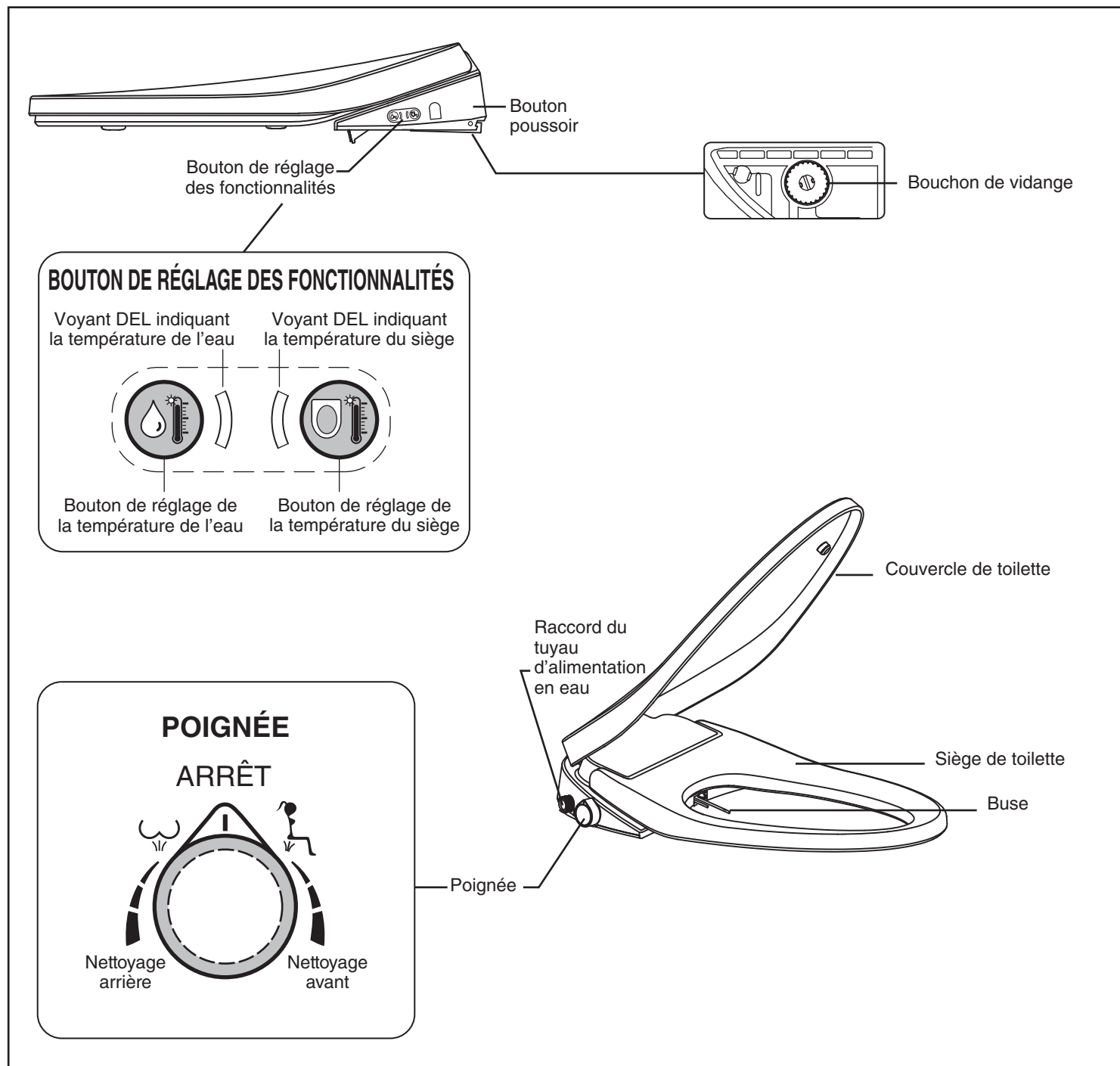
Siège AquaWash^{MD} 2.0 SpaLet^{MD}

Modèle 8019A60GPC

American
Standard

Merci d'avoir choisi American Standard, la référence de la haute qualité depuis plus d'un siècle. Veuillez lire attentivement ces consignes avant de commencer, pour vous assurer que ce produit sera installé correctement. (Certaines installations peuvent nécessiter l'aide d'un professionnel.) Vérifiez que votre installation est en conformité avec les codes locaux.

REMARQUE : Les images peuvent ne pas représenter exactement le siège de toilette et ses composants.



À CONSERVER POUR UNE UTILISATION ULTÉRIEURE

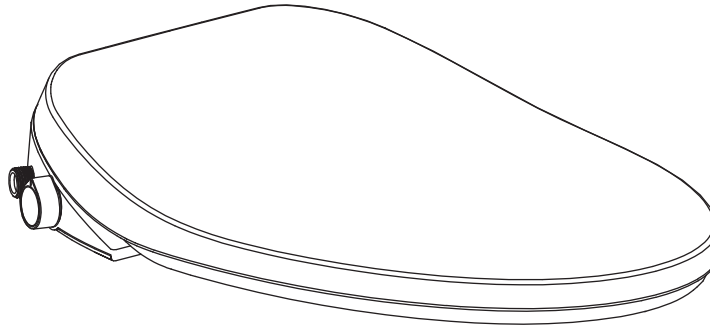


760294-100

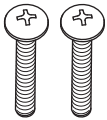
Tous les noms de produits cités dans le présent document sont des marques déposées d'AS America, Inc., sauf indication contraire.
© AS America, Inc. 2018

760294-100FR

1 Siège SpaLet^{MD}



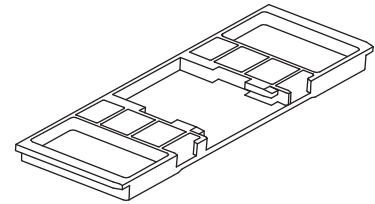
2 Composants de fixation



Boulons (2)



Pièces de fixation (2)
(se fixent sur la surface)



Plaque de base (1)



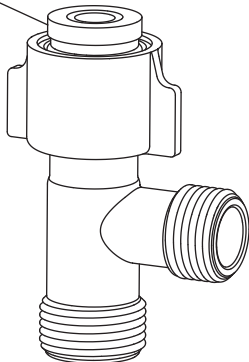
Plaques coulissantes (2)



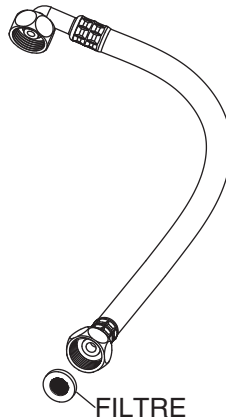
Écrous (2)
(se fixent sous la surface)

3 ADAPTATEUR EN FORME DE T

JOINT D'ÉTANCHÉITÉ

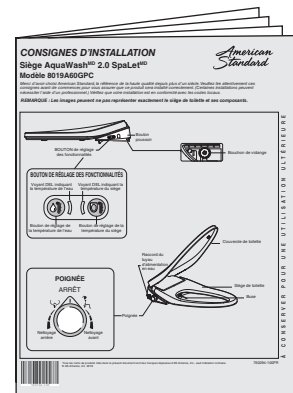


4 TUYAU DE RACCORDEMENT AVEC FILTRE



FILTRE

5 MANUEL DE L'UTILISATEUR



INSTALLATION

Veillez lire attentivement les consignes avant l'installation et l'utilisation du produit.

AVERTISSEMENT

Un tuyau d'alimentation souple doit être utilisé avec ce produit.

Le robinet d'arrêt de l'eau doit être près du produit installé pour faciliter l'installation.

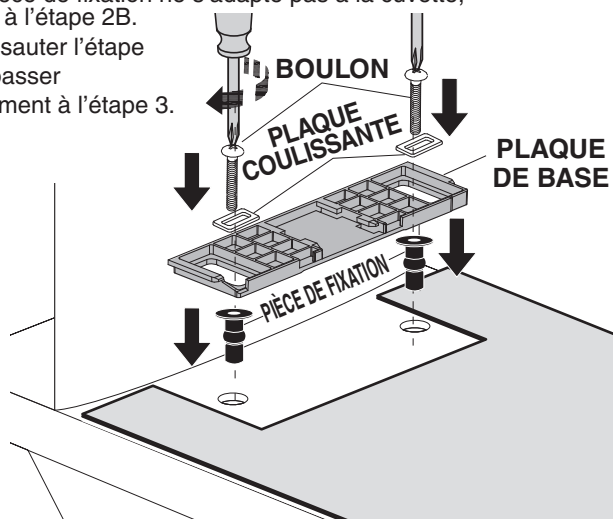
Ne pas utiliser sur une conduite d'eau chaude. Une température supérieure à 104°F ou 40°C endommagera le produit et annulera votre garantie.

- 1** Retirer le siège de toilette existant.

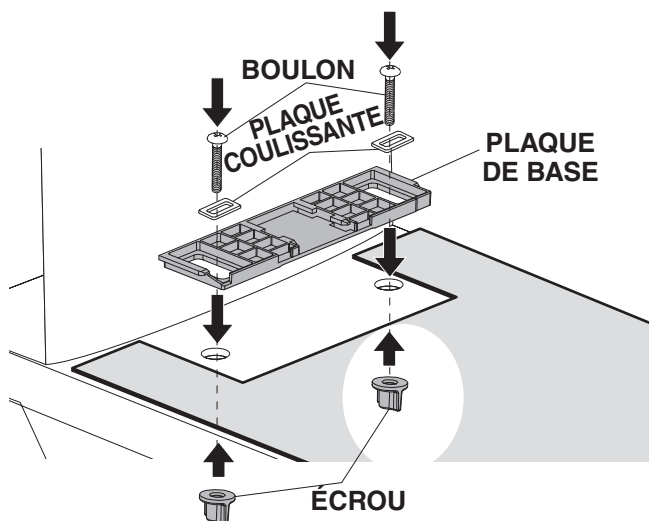


- 2A** Enfoncer les pièces de fixation dans les trous de la cuvette de la toilette. Aligner la plaque de base avec la zone à fentes du gabarit puis placer le matériel sur la plaque de base comme indiqué. À l'aide d'un tournevis de taille moyenne Phillips, commencer à visser les boulons dans les pièces de fixation jusqu'à ce que la plaque de base soit fixée.

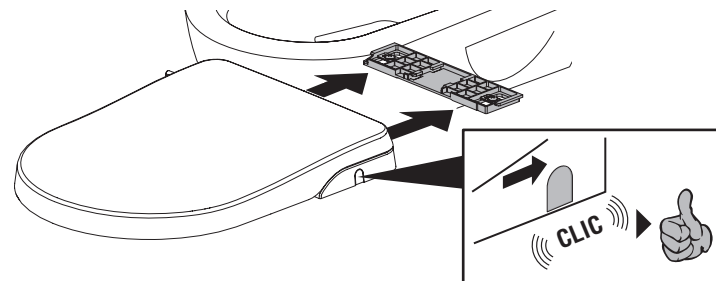
Si la pièce de fixation ne s'adapte pas à la cuvette, passer à l'étape 2B.
Sinon, sauter l'étape 2B et passer directement à l'étape 3.



- 2B** Placer la plaque de base sur la zone à fentes du gabarit puis placer le matériel sur la plaque de base, comme indiqué. Serrer les écrous par en-dessous, jusqu'à ce que la plaque de base soit fixée.

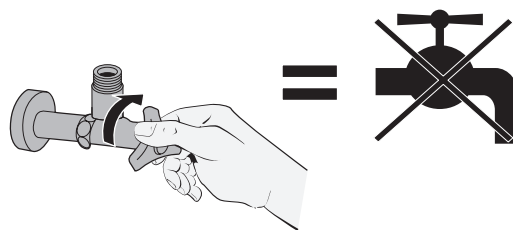


- 3** Faire glisser le siège SpaLet^{MD} sur la plaque de base jusqu'à entendre un « clic ». Le siège SpaLet est maintenant fixé à la cuvette.



- 4** Couper l'alimentation en eau en fermant le robinet d'arrêt de l'eau, puis débrancher le tuyau d'alimentation en eau.

Si vous utilisez une conduite d'alimentation rigide, vous devrez acheter un tuyau d'alimentation souple pour installer le siège SpaLet.



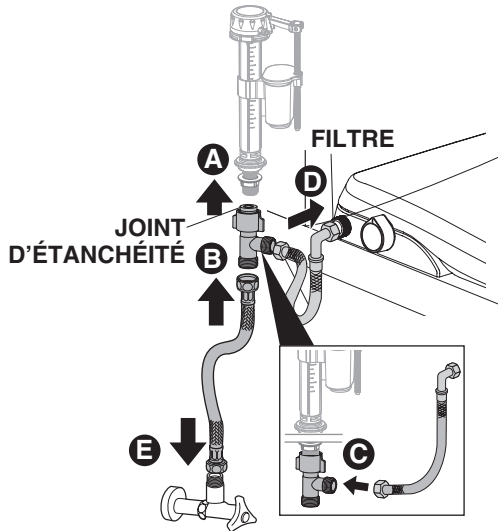
5 Installer l'adaptateur en forme de T sur le robinet de remplissage et le tuyau d'alimentation, comme indiqué. Raccorder le tuyau de raccordement avec filtre fourni à l'adaptateur en forme de T et à la conduite d'alimentation du siège SpaLet^{MD}.

⚠ AVERTISSEMENT

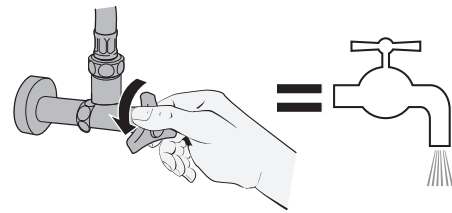
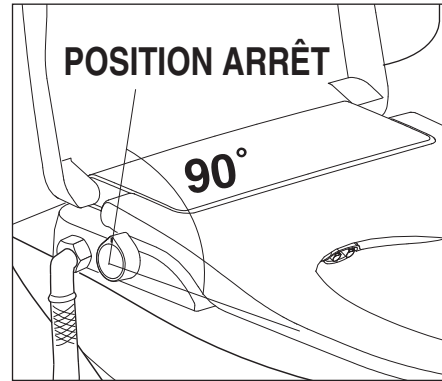
Vérifier que le filtre et le joint du tuyau de raccordement sont installés avec le tuyau.

⚠ ÉVITER DE TROP SERRER LES RACCORDS FILETÉS.

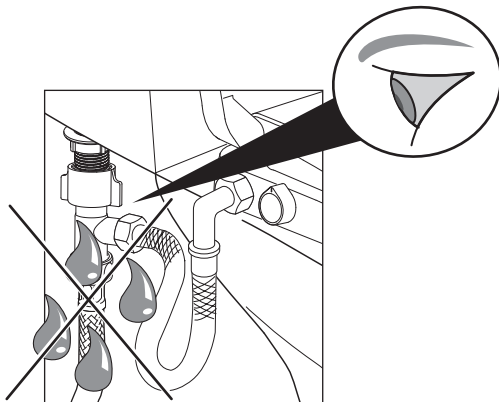
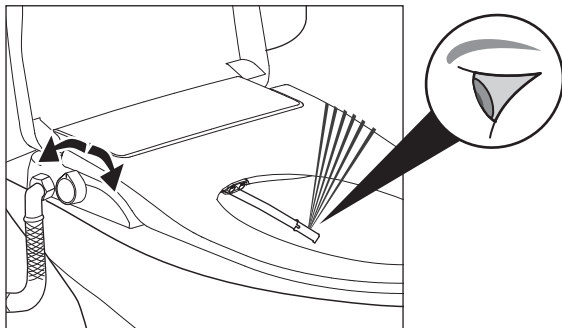
Le serrage excessif peut casser les raccords ou endommager les filetages.



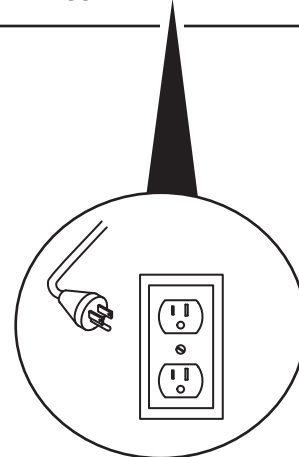
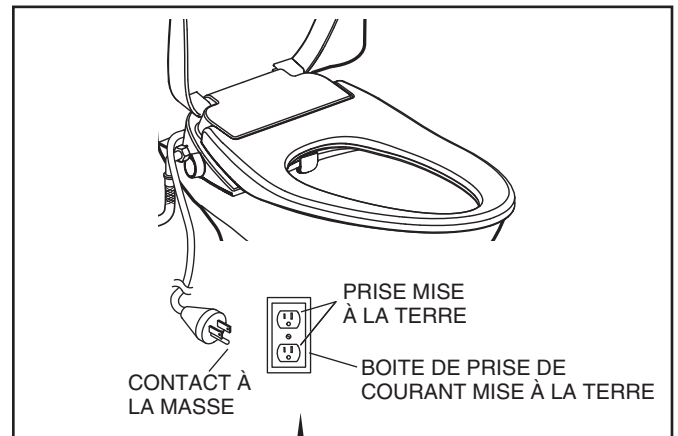
6 Vérifier que la poignée de commande du siège SpaLet est sur la position arrêt 90°. Rouvrir le robinet d'arrêt de l'eau.



7 Assis sur le siège, faire tourner la poignée de commande vers l'avant ou vers l'arrière pour vérifier le bon fonctionnement. Vérifier également les raccords pour détecter la présence de fuites. Si aucune fuite n'est présente, resserrer les raccords.



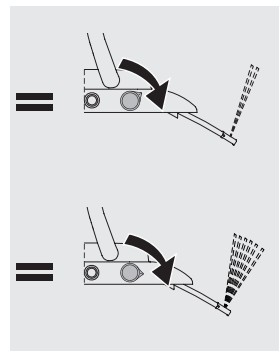
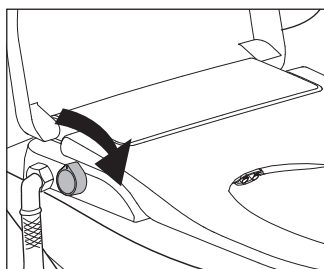
8 Brancher le cordon d'alimentation dans une prise de courant CA désignée.



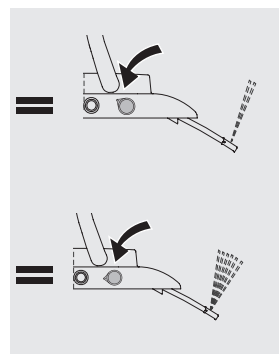
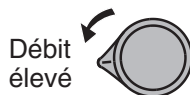
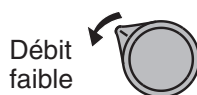
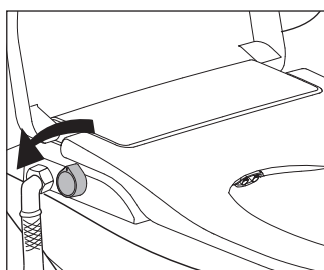
FONCTIONNEMENT DE LA POIGNÉE

1. Lorsque le câble d'alimentation est branché à une prise murale CA, la toilette SpaLet^{MD} se met automatiquement sur MARCHE et la lumière de la POIGNÉE et la veilleuse sont sur MARCHE en permanence.
2. Lorsque la POIGNÉE est tournée sur la fonctionnalité de nettoyage avant ou arrière, la lumière de la POIGNÉE commencera à s'allumer sur MARCHE et ARRÊT, indiquant que l'un des bras se déploie.
3. Lorsque la POIGNÉE est sur la position ARRÊT ou 90 degrés, la lumière de la POIGNÉE est éclairée.

FONCTIONNALITÉS DE NETTOYAGE AVANT

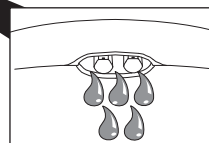
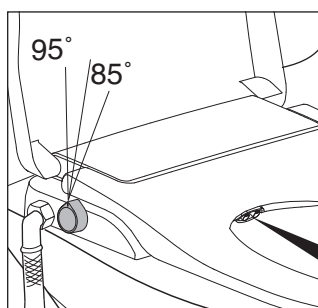
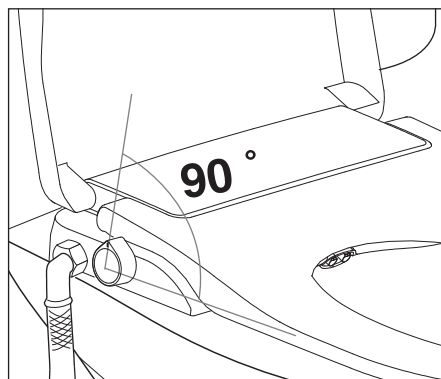


FONCTIONNALITÉ DE NETTOYAGE ARRIÈRE




ARRÊT ET AUTO-NETTOYAGE

Laisser la poignée à la position 90 ° lorsque le siège n'est pas utilisé. Le bras a une fonction autonettoyante qui se déclenche après chaque utilisation. Pour nettoyer davantage le bras, placer la poignée sur 85 ° ou 95 ° pendant quelques secondes, puis repasser à la position 90 °.




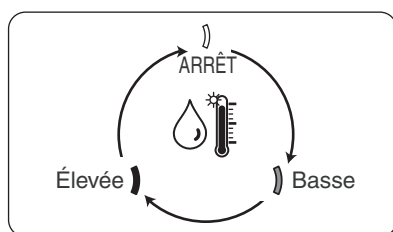
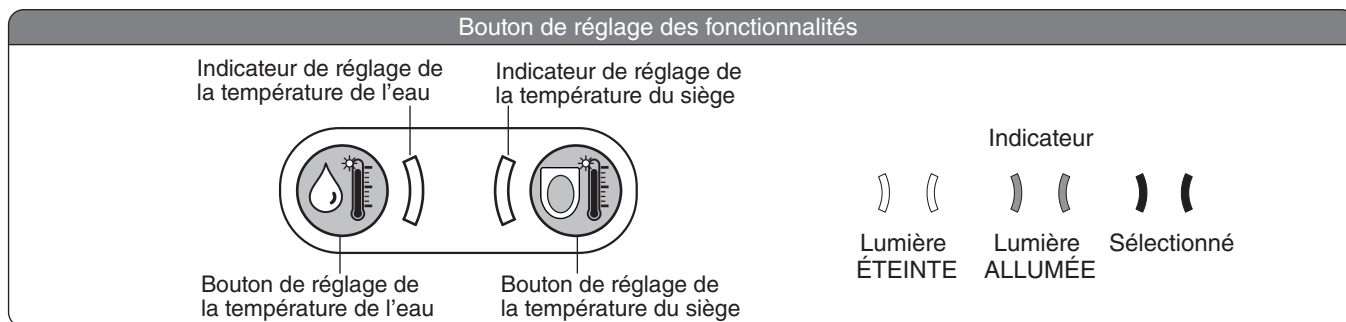
RÉGLAGES DE LA TEMPÉRATURE DE L'EAU ET DU SIÈGE


Pour savoir comment régler la température de l'eau, suivre les consignes ci-dessous.

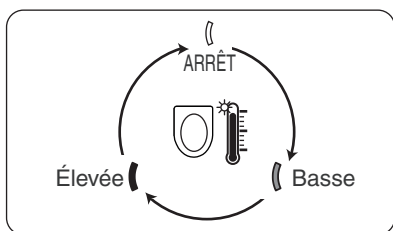
Appuyer sur l'icône représentant le bouton de température de l'eau . La lumière DEL correspondante s'allumera alors, indiquant une température basse ou environ 95°F/35°C. Appuyer de nouveau sur le bouton et la lumière DEL s'allumera davantage pour indiquer une température supérieure, environ 100°F/38°C. Appuyer une troisième fois sur le bouton et la lumière DEL s'éteindra, indiquant que l'élément chauffant est éteint.


Pour savoir comment régler la température du siège, suivre les consignes ci-dessous.

Appuyer sur l'icône représentant le bouton de température du siège . La lumière DEL correspondante s'allumera alors, indiquant une température basse ou environ 91°F/33°C. Appuyer de nouveau sur le bouton et la lumière DEL s'allumera davantage pour indiquer une température supérieure, environ 98,6°F/37°C. Appuyer une troisième fois sur le bouton et la lumière DEL s'éteindra, indiquant que l'élément chauffant est éteint.



- Appuyer plusieurs fois sur “” changera la température de l'eau selon l'ordre indiqué à la figure de gauche.
- Lorsque vous éteignez la température de l'eau, vous entendez un bip pendant deux secondes. Lorsque vous changez la température, vous entendez un bip pendant une seconde.
- Réglage de la température basse de l'eau : environ 95°F/35°C.
Réglage de la température élevée de l'eau : environ 100°F/38°C.



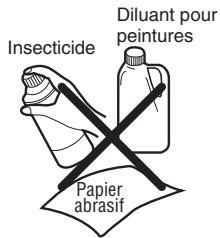
- Appuyer plusieurs fois sur “” changera la température de l'eau selon l'ordre indiqué à la figure de gauche.
- Lorsque vous éteignez la température de l'eau, vous entendez un bip pendant deux secondes. Lorsque vous changez la température, vous entendez un bip pendant une seconde.
- Réglage de la température basse de l'eau : environ 91,4°F/33°C.
Réglage de la température élevée du siège : environ 98,6°F/37°C.

DISPOSITIFS DE PROTECTION :

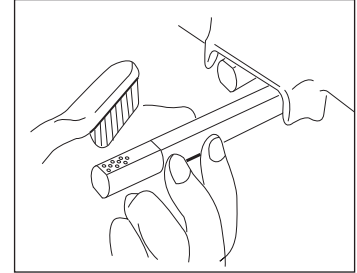
1. Lorsqu'une personne est assise pendant 5 minutes ou plus, le modèle SpaLet^{MD} passe automatiquement en mode Basse température.
2. Si la POIGNÉE n'est pas placée sur la position ARRÊT (position haute 90°) lorsqu'une personne quitte le siège, une alarme retentit pour indiquer que l'un des bras est toujours déployé.

NETTOYAGE ET ENTRETIEN

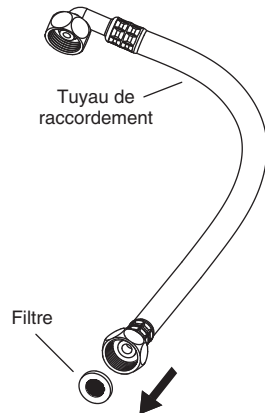
- 1** NE PAS UTILISER DE PRODUITS CHIMIQUES AGRESSIFS : chlorure d'hydrogène, diluant pour peintures, benzène, tissu ou papier abrasif, agent de polissage, parfum, insecticide, etc.



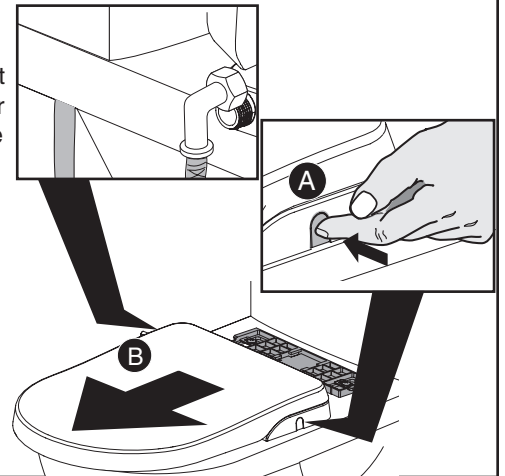
- 2** Les bras doivent être nettoyés lorsque des résidus ou du calcium se sont accumulés. Vous pouvez tirer les bras pour les faire sortir avec vos doigts puis, à l'aide d'une brosse à dents souple, brosser la tête de la buse.



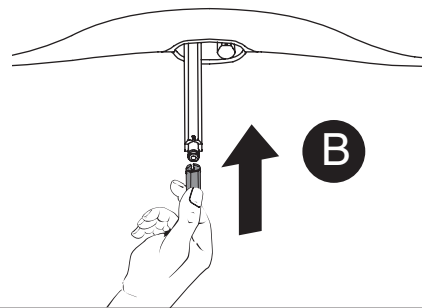
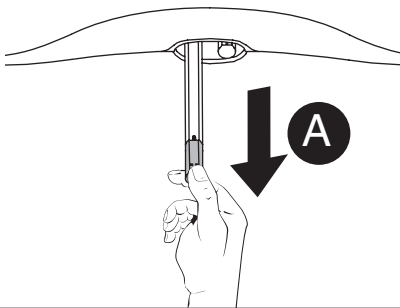
- 3** Si vous remarquez que le débit d'eau est faible lorsque vous utilisez le siège SpaLet^{MD}, il se peut que le filtre ait besoin d'être nettoyé. Les nouvelles maisons ou la plomberie récemment rénovée, en particulier, contiennent de nombreux sédiments présents dans l'eau. Vous devrez retirer le tuyau de raccordement et nettoyer le filtre, au besoin.



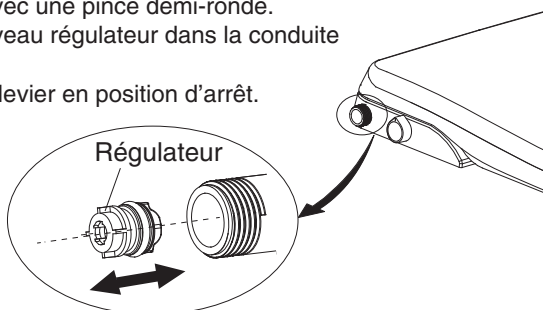
- 4** Vous pouvez retirer le siège SpaLet^{MD} en appuyant sur le bouton poussoir situé à droite du siège SpaLet et en faisant glisser le siège vers l'avant, comme indiqué. Cela vous permet de bien nettoyer autour de la toilette. Penser à débrancher le tuyau de raccordement avant de commencer.



- 5** Les buses peuvent être retirées, au besoin, pour le nettoyage. Commencer par couper l'alimentation en eau du siège SpaLet. Comme indiqué à la figure A, faire sortir le tube et retirer l'ancienne buse en tirant dessus. Comme indiqué à la figure B, insérer la nouvelle buse dans le tube le long de la fente correspondante.

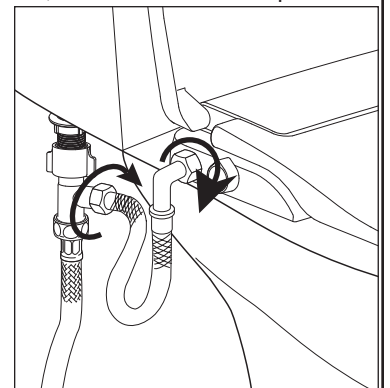


- 6** La pression de l'arrivée d'eau est contrôlée par un régulateur. Ce dernier peut être retiré et remplacé. Commencer par fermer l'alimentation en eau et débrancher le tuyau de raccordement. Faire tourner le levier en position MARCHE, tirer sur le régulateur pour le faire sortir de la conduite d'alimentation avec une pince demi-ronde. Enfoncer le nouveau régulateur dans la conduite d'alimentation. Puis remettre le levier en position d'arrêt.



- 7** En cas de fuite, resserrer le raccord et utiliser du ruban à joints au besoin. En cas de fuite d'eau aux deux extrémités du tuyau d'alimentation en eau, resserrer les écrous pour empêcher la fuite.

⚠ AVERTISSEMENT
ÉVITER DE TROP SERRER, CAR CELA ENDOMMAGERAIT LE RACCORD. IL EST RECOMMANDÉ DE SERRER À LA MAIN.



GUIDE DE DÉPANNAGE

PROBLÈME	CAUSE POSSIBLE	MESURE CORRECTIVE
Le débit d'eau est trop faible pendant l'utilisation de la fonctionnalité NETTOYAGE/BIDET.	1. Pression d'eau faible de l'appareil	Pendant l'utilisation de la fonctionnalité NETTOYAGE/BIDET, tourner la poignée pour un réglage supérieur.
	2. Pression d'eau faible de l'alimentation en eau	Lorsque la pression d'alimentation en eau est inférieure à 0,07 MPa (10 psi).
L'eau ne s'écoule pas pendant l'utilisation de la fonctionnalité NETTOYAGE/BIDET.	1. Le robinet d'arrêt de l'eau est fermé.	Ouvrir le robinet d'arrêt de l'eau.
	2. Le filtre du connecteur en forme de T est bouché.	Nettoyer le filtre du connecteur en forme de T.
	3. Le filtre du tuyau d'alimentation en eau est bouché.	Nettoyer le filtre du tuyau d'alimentation en eau.
	4. La tête de buse est bouchée.	Retirer la tête de buse et la nettoyer.
	5. La pression d'eau externe est trop basse.	Augmenter la pression d'eau externe.
De l'eau jaillit de la cuvette lors de l'utilisation de l'appareil.	La pression d'eau externe est trop élevée.	La pression d'eau maximale supportée par l'appareil est de 0,8 MPa (115 psi). Si la pression d'alimentation en eau est supérieure à ce chiffre, veuillez communiquer avec le service local responsable des questions relatives à la pression de l'eau.
Aucune lumière DEL ne s'allume.	Pas d'alimentation électrique.	Vérifier le cordon d'alimentation CA ou le boîtier du disjoncteur/fusible CA.
La température du siège est trop basse/élevée.	Mauvais réglage.	Régler à la température souhaitée.
De l'eau s'écoule du siège lorsque l'on s'assoit.	La fonction autonettoyante est activée.	Cet écoulement est normal et s'arrêtera automatiquement au bout de 5 secondes.
Le disjoncteur/fusible général CA se déclenche en permanence.	Il se pourrait que la consommation d'électricité du siège soit supérieure à la consommation permise par le circuit.	Débrancher le cordon d'alimentation de la prise murale et téléphoner à un électricien.
Le signal retentit en permanence lorsque l'on quitte le siège.	La POIGNÉE n'est pas réglée sur la position ARRÊT à 90°.	Placer la POIGNÉE sur la position ARRÊT à 90°.

GARANTIE LIMITÉE DE TROIS ANS AS AMERICA, INC.

Si l'inspection de ce produit de plomberie AS America, Inc. (« American Standard »), dans l'année suivant son achat d'origine, confirme qu'il présente des défauts de matériel ou de main d'œuvre, American Standard s'engage à le réparer ou, à sa discrétion, à échanger le produit pour un modèle similaire.

Cette garantie limitée s'applique seulement à l'acheteur et à l'installation d'origine de ces produits. En cas de réclamation en vertu de cette garantie limitée, une preuve d'achat sera demandée. Vous devez donc conserver les reçus d'achat.

La présente garantie limitée ne s'applique pas aux installations commerciales. La garantie pour les installations commerciales du modèle SpaLet^{MD} est portée à deux ans.

Cette garantie limitée ne s'applique pas à la conformité au code local du bâtiment. Les codes locaux du bâtiment variant fortement d'une région à l'autre, l'acheteur de ce produit devrait consulter un entrepreneur local en bâtiment ou en plomberie pour s'assurer de la conformité au code local avant l'installation.

Cette garantie limitée est nulle si le produit a été déplacé de son lieu d'installation d'origine; s'il a fait l'objet d'un entretien inadéquat, d'un usage anormal, d'un mauvais usage, ou s'il a subi un accident ou tout autre dommage; s'il n'a pas été installé conformément aux consignes d'American Standard; ou s'il a été modifié de façon incompatible avec le produit tel qu'il a été expédié par American Standard.

Le droit d'American Standard de faire réparer le produit ou de l'échanger en vertu de la présente garantie limitée ne couvre pas les frais de main d'œuvre ni tout autre coût associé au retrait ou à l'installation. EN AUCUN CAS AMERICAN STANDARD NE SERA TENUE RESPONSABLE DES COÛTS DE RÉPARATION OU DE REMPLACEMENT DU MATÉRIEL D'INSTALLATION, Y COMPRIS LES CARREAUX, LE MARBRE, ETC. American Standard ne sera tenue responsable d'aucun dommage accessoire ou consécutif imputable à un défaut du produit ou à la réparation ou l'échange d'un produit défectueux. Tous ces éléments sont expressément exclus de la présente garantie limitée. La présente garantie limitée ne couvre pas la responsabilité pour tout dommage accessoire ou consécutif, qui est expressément exclu par la présente, ni la prolongation au-delà de la durée de la présente garantie limitée de toute garantie tacite, notamment celle de la qualité marchande ou de l'adéquation à l'usage prévu. (Certains États ou certaines provinces n'autorisent pas l'exclusion ou la limitation des garanties limitées tacites; cette exclusion ne s'applique peut-être pas à votre cas.)

Cette garantie limitée vous donne des droits juridiques précis. Vous pourriez bénéficier d'autres droits prévus par la loi, qui diffèrent d'une province ou d'un territoire à l'autre. Dans ce cas, la présente garantie limitée n'affecte pas ces droits.

Aux États-Unis :

American Standard Brands
1 Centennial Ave.
Piscataway, New Jersey 08854
Attention : Director of Customer Care

Au Canada :

LIXIL Canada, Inc.
5900, route Avebury
Mississauga (Ontario)
Canada L5R 3M3

Au Mexique :

American Standard B&K Mexico
S. de R.L. de C.V.
Via Morelos #330
Col. Santa Clara
Ecatepec 55540 Edo. Mexico

Les résidents des États-Unis peuvent également obtenir des renseignements sur la garantie en téléphonant au numéro sans frais suivant : (800) 442-1902
www.americanstandard.com

Numéro sans frais : 800-387-0369
<https://fr.americanstandard.ca/>

Numéro sans frais : 01-800-839-1200
www.americanstandard.com.mx

LA PRÉSENTE GARANTIE N'EST PAS TRANSFÉRABLE ET SEUL L'ACHETEUR INITIAL PEUT S'EN PRÉVALOIR.