


shown in Gloss White
with Gloss White blades



shown in Brushed Nickel
with Brushed Nickel blades




Eliza-LK *Geometry in Motion*

Designed in 2016

Designed by Chicago architect Stephen Katz in 2016, the Eliza-LK blends a beautiful technically derived form with superior function and movement. The unique blade shape is designed to maximize air movement at the outer edge of the blade; the result is more efficient air velocity rings, less blade drag and greater motor optimization. Equally important is Eliza-LK's stationary visual statement which combines modern utility with minimalist geometry. Constructed of cast aluminum and heavy stamped steel, the Eliza-LK has a limited lifetime warranty.

Blade Options



shown in Brushed Nickel
with Gray Ash blades





shown in Gloss White
with Barn Wood blades



shown in Gloss White
with Walnut blades

SKU NAMING CONVENTION	
SKU#	EKLK-XX-XXX (Model+Finish+Blade Finish)
Finishes	Brushed Nickel - BN
	Gloss White - WH
Blade Finishes	Brushed Nickel - BN
	Gloss White - WH
	Barn Wood - BW
	Gray Ash - GA
	Walnut - WN

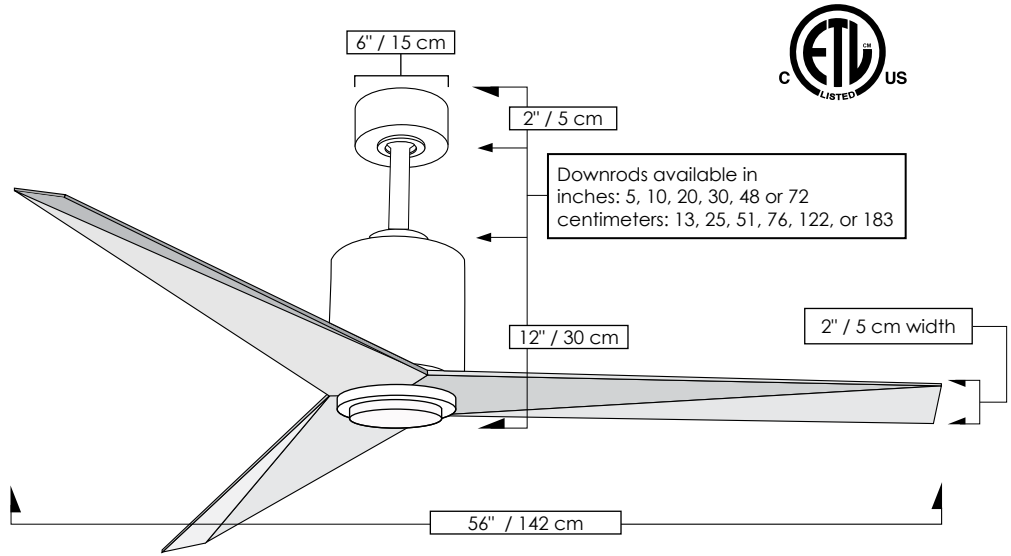
STANDARD EQUIPMENT	
One downrod of 10 inches / 13 cm	
Vaulted ceiling canopy for up to 30°	
6-speed RF remote control with reverse function in black	Wireless Decora-style, 6-speed, wall control in white
	

CEILING HEIGHT / DOWNROD TABLE	
Ceiling Height	Downrod Lengths <i>Field cuttable. Non-threaded</i>
10 ft or less	5 inches / 13 cm
10 -12 feet	10 inches / 25 cm
13 feet	20 inches / 51 cm
14 feet	30 inches / 76 cm
15 feet	48 inches / 122 cm
16 feet +	72 inches / 183 cm

CEILING PITCH TABLE	
0/12	0 degrees
1/12	4.76 degrees
2/12	9.46 degrees
3/12	14.04 degrees
4/12	18.43 degrees
5/12	22.62 degrees
6/12	26.57 degrees
7/12	30.26 degrees
8/12	33.69 degrees
9/12	36.87 degrees
10/12	39.81 degrees
11/12	42.51 degrees

Eliza-LK

TECHNICAL SPECIFICATIONS



FAN SPECIFICATIONS						
Fan Diameter	56 inches / 142 cm					
Overall Drop	14 inches / 36 cm + downrod length					
Fan Weight	18 lbs					
Voltage	110 or 220					
Motor Type	DC					
Downrods Lengths <i>Field cuttable. Non-threaded</i>	inches: 5, 10, 20, 30, 48, 72 centimeters: 13, 25, 51, 76, 122, 183					
Downrod Diameter	1 inch					
Remote Control	Hand-held, wall-mountable, 6-speed with reverse					
Wall Control	Decora-style wall control: DC-WC					
Environment	Damp locations for all finishes Neither coastal, saltwater nor chlorine compatible					
Ambience	Silent					
Safety Certification	ETL / CETL					
Warranty	Limited Lifetime					
MOTOR EFFICIENCY DATA AT HIGH SPEEDS						
RPM	167					
CFM	5962.47					
Watts	31.30					
CFM/Watt	190.49					
Blade Pitch	27°					
LIGHT KIT PHOTOMETRICS						
Lamping (Replaceable)	Remote Dimmable	Temperature	Delivered Lumens	CRI	Watts	Hours
Integrated LED	Yes	2908	428	95	17	50,000

Matthews Fan Company

1881 Industrial Drive
Libertyville, IL 60048

Tele: 847.680.9043

Fax: 847.680.8140

www.matthewsfanco.com

© 2017 Matthews Fan Company. All rights reserved.

