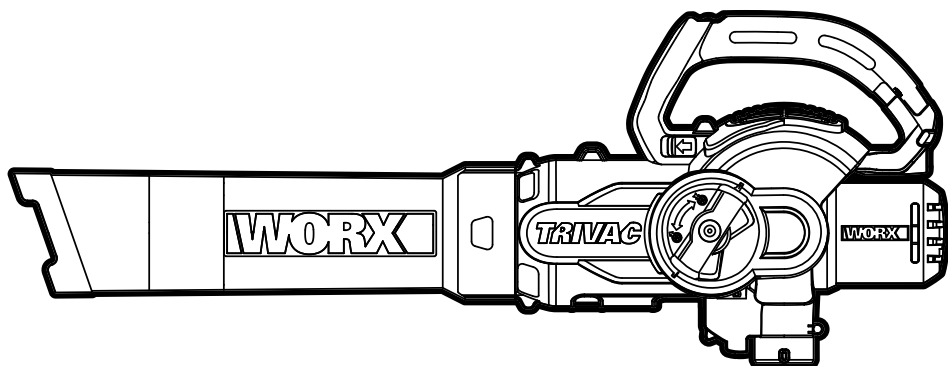


# WORX®



<b>12 AMP All-in-One Blow/Vac/Mulch</b>	<b>EN</b>	<b>P02</b>
<b>12AMP Souffleur/Aspirateur/Broyeur Tout en 1</b>	<b>F</b>	<b>P13</b>
<b>12AMP Aspiradora/Soplador/Mulcher todo en uno</b>	<b>ES</b>	<b>P21</b>



HELPLINE NUMBER  
NUMERO DU SERVICE D'ASSISTANCE  
NUMERO DE LINEA DE AYUDA  
1-866-354-WORX (9679)

## WG512 WG513 WG514

## PRODUCT SAFETY



**WARNING: Some dust created by power sanding, sawing, grinding, drilling and other construction activities contains chemicals known to the state of California to cause cancer, birth defects or other reproductive harm. Some examples of these chemicals are:**

- **Lead from lead-based paints;**
- **Crystalline silica from bricks and cement and other masonry products;**
- **Arsenic and chromium from chemically-treated lumber.**

**Your risk from these exposures varies, depending on how often you do this type of work. To reduce your exposure to these chemical: work in a well ventilated area, and work with approved safety equipment, such as those dust masks that are specially designed to filter out microscopic particles.**



**WARNING:** This product can expose you to chemicals including lead, phthalate or bisphenol A which are known to the State of California to cause cancer, birth defects or other reproductive harm. Wash your hands after use. For more information go to [www.P65Warnings.ca.gov](http://www.P65Warnings.ca.gov).



### Important Safety Instructions



**WARNING:** When using electric gardening appliances, basic safety precautions should always be followed to reduce the risk of fire, electric shock, and personal injury, including the following:



**WARNING: Read all instructions**

### FOR ALL APPLIANCES

- 1) Avoid Dangerous Environment - Don't use appliances in damp or wet locations.
- 2) Don't Use In Rain.
- 3) Keep Children Away - All visitors should be kept at a distance from work area.
- 4) Dress Properly - Do not wear loose clothing or jewelry. They can be caught in moving parts. Use of rubber gloves and substantial footwear is recommended when working outdoors. Wear protective hair covering to contain long hair.
- 5) Use Safety Glasses - Always use face or dust mask if operation is dusty.
- 6) Use Right Appliance - Do not use appliance for any job except that for which it is intended.
- 7) Ground Fault Circuit Interrupter (GFCI) protection should be provided on the circuit(s) or outlet(s) to be used for the gardening appliance. Receptacles are available having built-in GFCI protection and may be used for this measure of safety.
- 8) Warning -To reduce the risk of electric shock, use only with an extension cord intended for outdoor use, such as an extension cord of cord

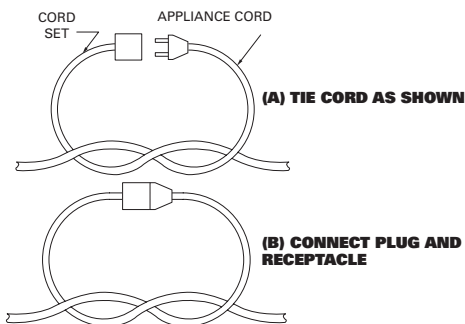
type SW-A, SOW-A, STW-A, STOW-A, SJW-A, SJOW-A, SJTW-A or SJTOW-A.

- 9) Extension Cord - Make sure your extension cord is in good condition. When using an extension cord, be sure to use one heavy enough to carry the current your product will draw. An undersized extension cord will cause a drop in line voltage resulting in loss of power and overheating. Table 1 shows the correct size to use depending on cord length and nameplate ampere rating. If in doubt, use the next heavier gage. The smaller the gage number, the heavier the cord. To reduce the risk of disconnection of appliance cord from the extension cord during operating:
  - i) Make a knot as shown in Figure 1; or
  - ii) Use one of the plug-receptacle retaining straps or connectors described in this manual.
- 10) Avoid Unintentional Starting - Don't carry plugged-in appliance with finger on switch. Be sure switch is off when plugging in.
- 11) Don't Abuse Cord - Never carry appliance by cord or yank it to disconnect from receptacle. Keep cord from heat, oil, and sharp edges.
- 12) Don't Force Appliance - It will do the job better and with less likelihood of a risk of injury at the rate for which it was designed.
- 13) Don't Overreach - Keep proper footing and balance at all times.
- 14) Stay Alert - Watch what you are doing. Use common sense. Do not operate appliance when you are tired.
- 15) Disconnect Appliance - Disconnect the appliance from the power supply when not in use, before servicing, when changing accessories such as blades, and the like.
- 16) Store Idle Appliances Indoors - When not in use, appliances should be stored indoors in dry, and high or locked-up place - out of reach of children.
- 17) Maintain Appliance With Care - Keep cutting edge sharp and clean for best performance and to reduce the risk of injury. Follow instructions for lubricating and changing accessories. Inspect appliance cord periodically, and if damaged, have it repaired by an authorized service facility. Inspect extension cords periodically and replace if damaged. Keep handles dry, clean, and free from oil and grease.
- 18) Check Damaged Parts - Before further use of the appliance, a guard or other part that is damaged should be carefully checked to determine that it will operate properly and perform its intended function. Check for alignment of moving parts, binding of moving parts, breakage of parts, mounting, and any other condition that may affect its operation. A guard or other part that is damaged should be properly repaired or replaced by an authorized service center unless indicated elsewhere in this manual.

**Table 1**  
**Minimum gauge for extension cords**

Ampere rating		Volts	Total length of cord			
			25ft (7.62m)	50ft (15.24m)	100ft (30.48m)	150ft (45.72m)
More than, Amps	Not more than, Amps	120V	AWG(mm <sup>2</sup> )			
10	12	-	18(0.82)	16(1.3)	14(2.1)	12(3.3)

**Figure 1**  
**Method of securing extension cord**



## FOR ALL DOUBLE-INSULATED APPLIANCES

### 1) Replacement Parts

When servicing use only identical replacement parts.

### 2) Polarized Appliance Connections

To reduce the risk of electric shock, this appliance has a polarized plug (one blade is wider than the other) and will require the use of a polarized extension cord. The appliance plug will fit into a polarized extension cord only one way. If the plug does not fit fully into the extension cord, reverse the plug. If the plug still does not fit, obtain a correct polarized extension cord. A polarized extension cord will require the use of a polarized wall outlet. This plug will fit into the polarized wall outlet only one way. If the plug does not fit fully into the wall outlet, reverse the plug. If the plug still does not fit, contact a qualified electrician to install the proper wall outlet. Do not change the equipment plug, extension cord receptacle, or extension cord plug in any way.

## SAVE THESE INSTRUCTIONS

## ADDITIONAL SAFETY WARNINGS IMPORTANT SAFETY INSTRUCTIONS

When using an electrical appliance, basic precautions should always be followed, including the following:


## READ ALL INSTRUCTIONS BEFORE USING THIS APPLIANCE



**WARNING - To reduce the risk of fire, electric shock, or injury:**

- Do not leave appliance when plugged in. Unplug from outlet when not in use and before servicing.
- To reduce the risk of electric shock - Do not use on wet surfaces. Do not expose to rain. Store indoors.
- Do not allow to be used as a toy. Close attention is necessary when used by or near children.
- Use only as described in this manual. Use only manufacturer's recommended attachments.
- Do not use with damaged cord or plug. If appliance is not working as it should, has been dropped, damaged, left outdoors, or dropped into water, return it to a service center.
- Do not pull or carry by cord, use cord as a handle, close a door on cord, or pull cord around sharp edges or corners. Do not run appliance over cord. Keep cord away from heated surfaces.
- Do not handle plug or appliance with wet hands.
- Do not put any object into openings. Do not use with any opening blocked; keep free of dust, lint, hair, and anything that may reduce air flow.
- Keep hair, loose clothing, fingers, and all parts of body away from openings and moving parts.
- Turn off all controls before unplugging.
- Use extra care when cleaning on stairs.
- Do not use to pick up flammable or combustible liquids, such as gasoline, or use in areas where they may be present.
- Do not pick up anything that is burning or smoking, such as cigarettes, matches, or hot ashes.
- Do not use without dust bag and/or filters in place.
- Do not unplug by pulling on cord. To unplug, grasp the plug, not the cord.
- This appliance is provided with double insulation. Use only identical replacement parts. See instructions for Servicing of Double-Insulated Appliances.

# ADDITIONAL SAFETY RULES FOR EXTENSION CORD


- 1)  Warning –To reduce the risk of personal injury due to loose electrical connection between the appliance's plug and extension cord, firmly and fully attach the appliance plug to the extension cord. Periodically check the connection while operating to ensure it is fully attached, Do not use an extension cord that provides a loose connection. A loose connection may result in overheating, fire, and increases the risk of a burning.
- 2) To reduce the risk of disconnection of the appliance cord from the extension cord during operating, secure the extension cord to the appliance plug as shown or described in the Operating Instructions.

# SAVE THESE INSTRUCTIONS

## SERVICING OF DOUBLE-INSULATED APPLIANCES










A double-insulated appliance is marked with one or more of the following: The words "DOUBLE INSULATION" or "DOUBLE INSULATED" or the double insulation symbol (square within a square).

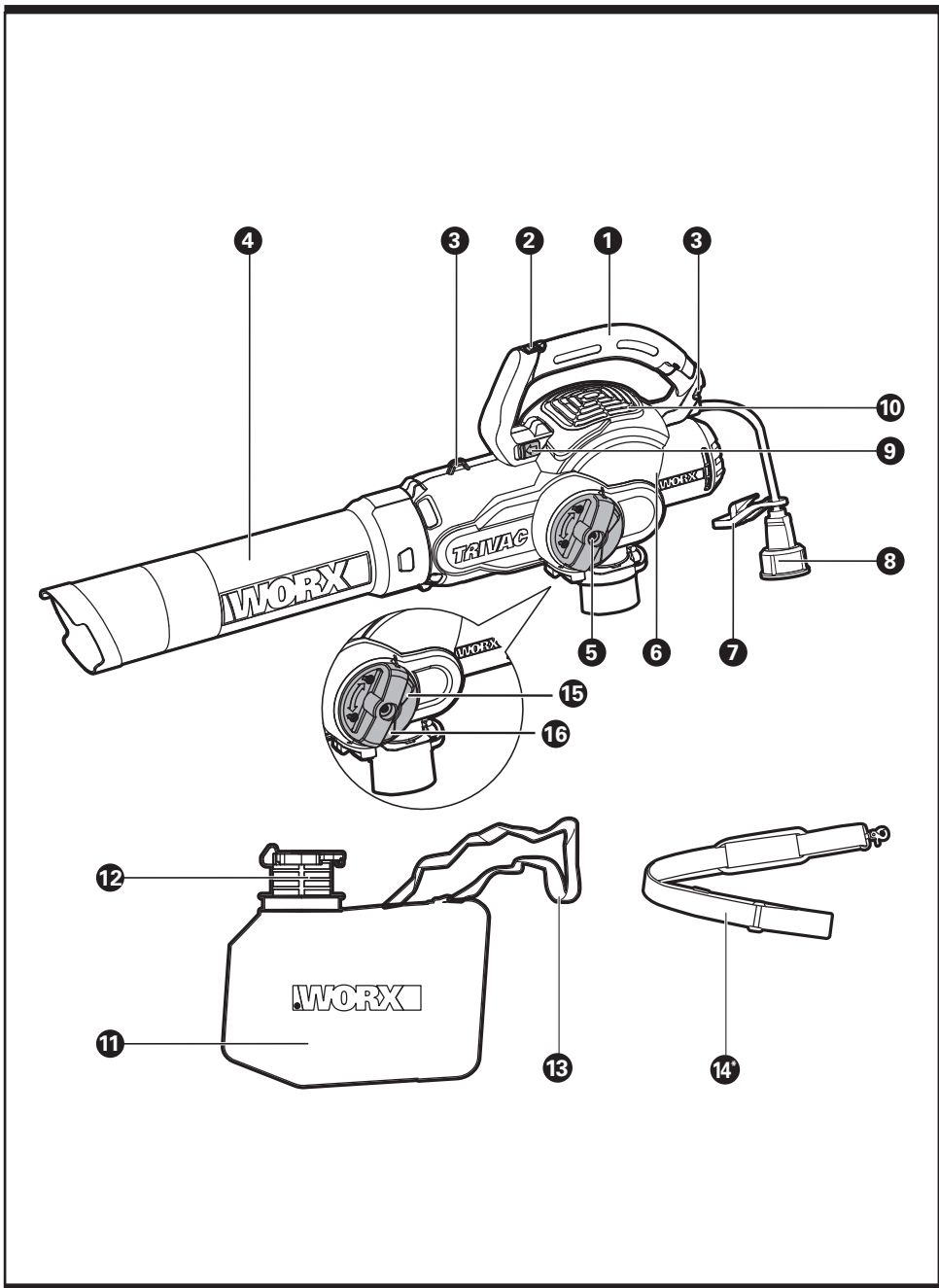
4

 In a double-insulated appliance, two systems of insulation are provided instead of grounding.

No grounding means is provided on a double-insulated appliance, nor should a means for grounding be added to the appliance. Servicing a double-insulated appliance requires extreme care and knowledge of the system, and should be done only by qualified service personnel. Replacement parts for a double-insulated appliance must be identical to the parts they replace.

# SYMBOLS

	To reduce the risk of injury, user must read instruction manual
	Wear eye protection
	Wear ear protection
	Double insulation
	Warning
	Blow mode
	Vacuum mode
	Impeller continues to rotate after the machine is switched off. Wait until all machine components have completely stopped before touching them.
	Before any work on the machine itself, pull the power plug from the outlet.



1. HANDLE
2. ON/OFF SWITCH
3. ACCESSORY SHOULDER STRAP HOOK
4. BLOWER/VACUUM TUBE
5. BLOWER/VACUUM SELECTOR KNOB
6. MOTOR HOUSING
7. EXTENSION CORD HOOK
8. POWER PLUG
9. DEBRIS COVER RELEASE BUTTON
10. DEBRIS COVER
11. LEAF COLLECTION BAG
12. QUICK RELEASE BAG COLLAR
13. COLLECTION BAG SHOULDER STRAP
14. SHOULDER STRAP (INCLUDED WITH WG514 ONLY) \*
15. RELEASE BUTTON (A)
16. RELEASE BUTTON (B)

\*Not all the accessories illustrated or described are included in standard delivery.

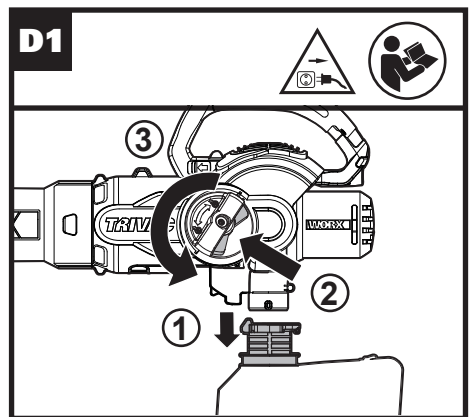
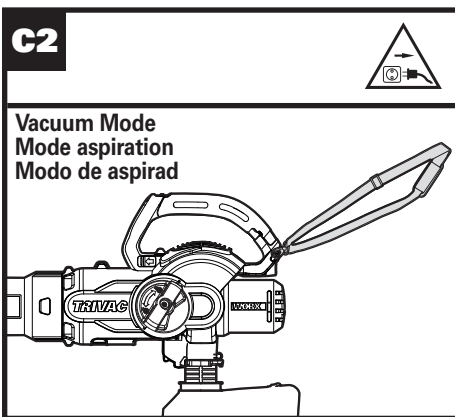
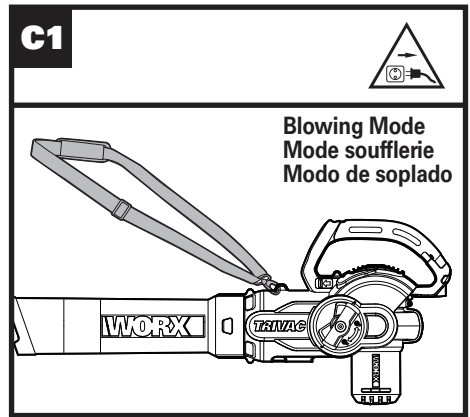
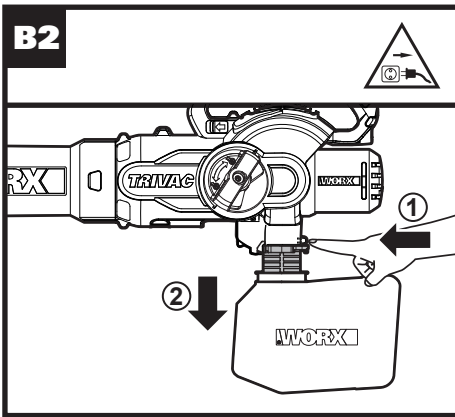
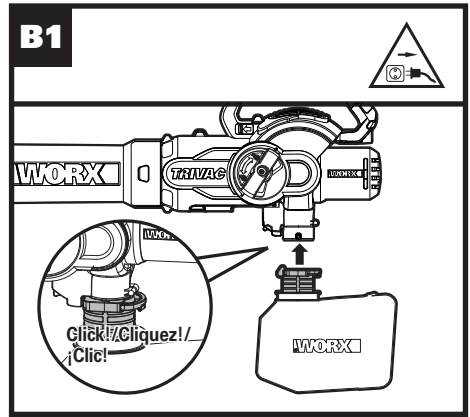
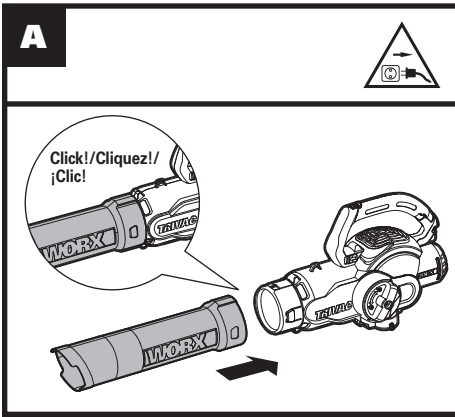
## TECHNICAL DATA

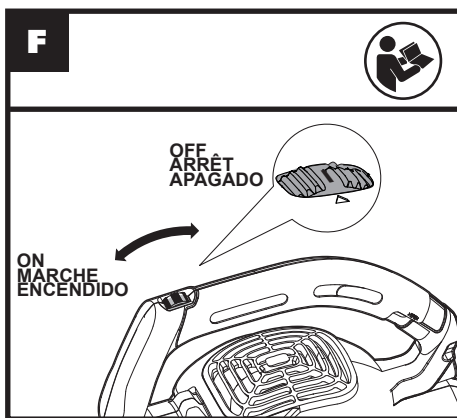
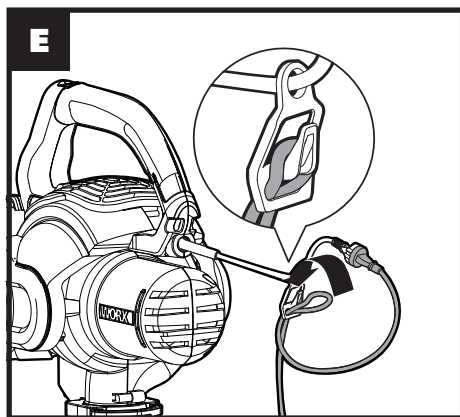
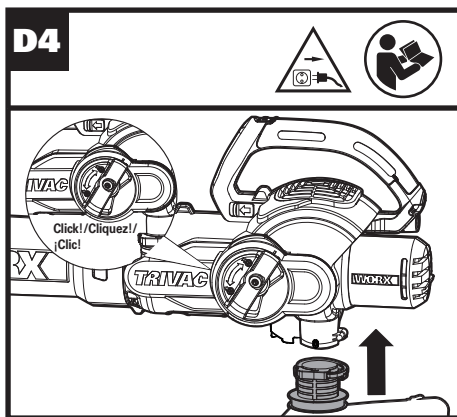
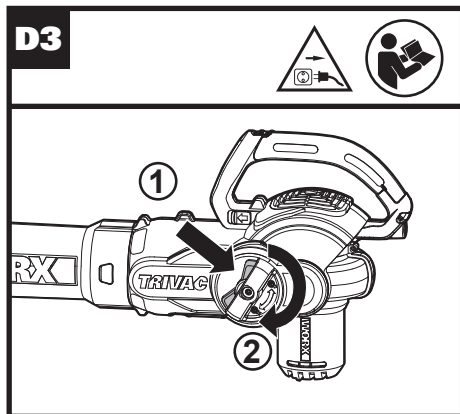
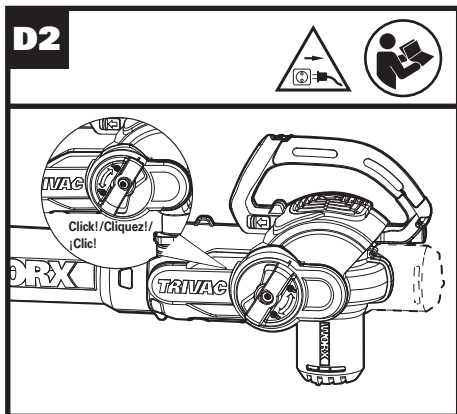
	WG512	WG513	WG514
Voltage	120V~60Hz		
Power input	12A		
No load speed	16500/min		
Air capacity	600 cfm	660 cfm	620 cfm
Air speed	75 mph	80 mph	75 mph
Mulching rate	16:1	18:1	
Collection bag capacity	1.2 Bushels		
Machine weight (Blowing Mode)	8.6 lbs		
Protection class	□/II		

## ACCESSORIES

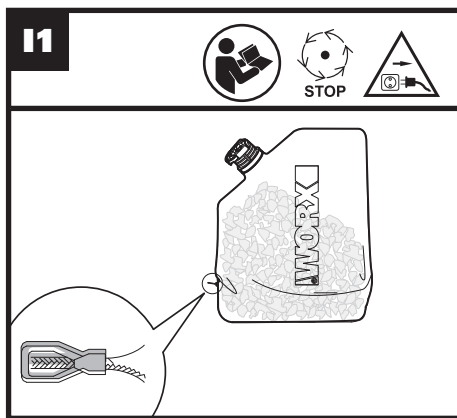
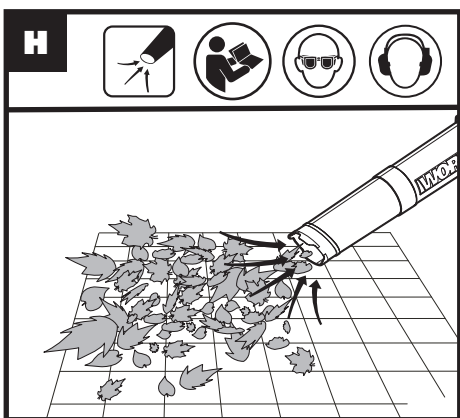
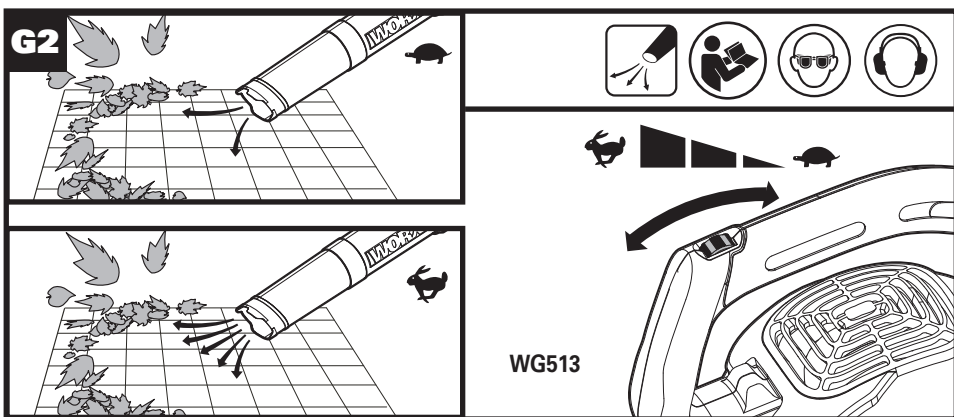
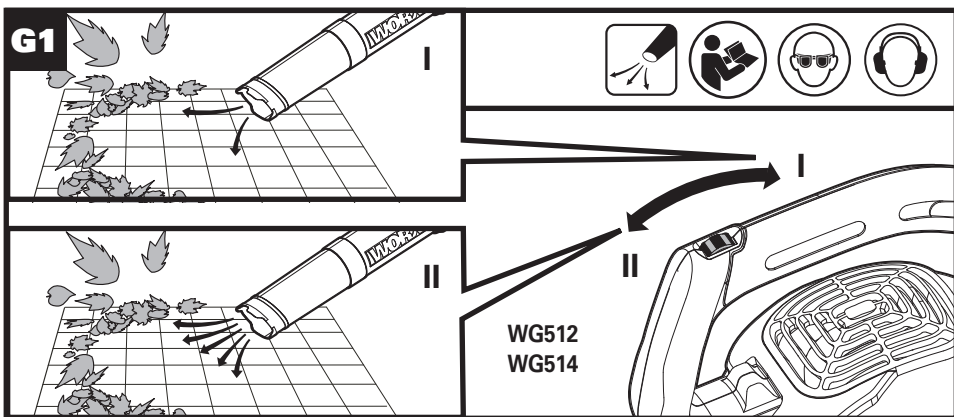
	WG512	WG513	WG514
Leaf collection bag	1	1	1
Shoulder strap	/	/	1

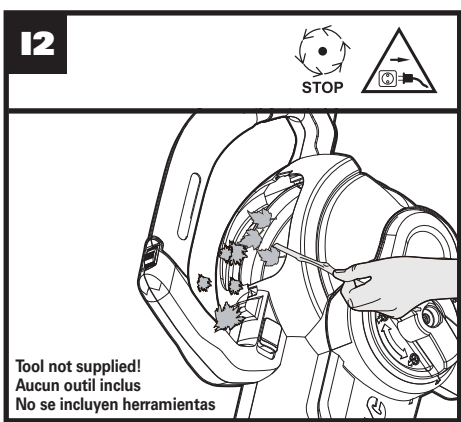
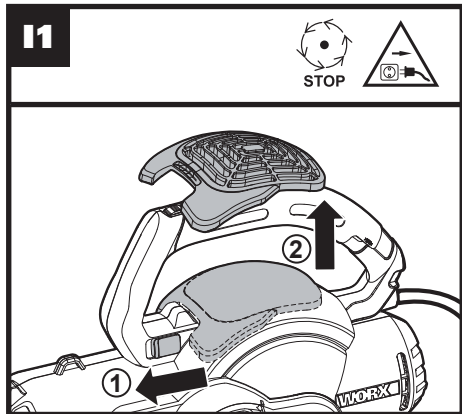
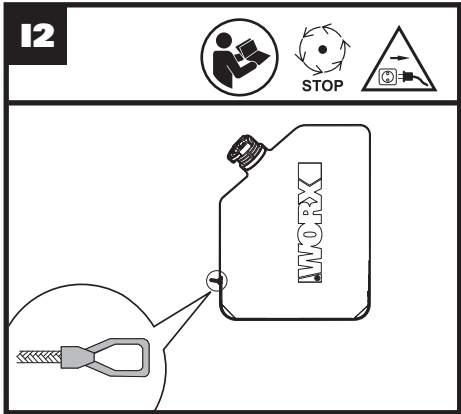
We recommend that you purchase your accessories listed in the above list from the same store that sold you the tool. Refer to the accessory packaging for further details. Store personnel can assist you and offer advice.













# OPERATION

## INTENDED USE

The blower & vacuum is intended for residential use only. Use the blower outdoors to move or vacuum yard debris as needed.

## ASSEMBLY AND OPERATION

ACTION	FIGURE
<b>ASSEMBLY</b>	
Assembling the Blower/Vacuum Tube	See Fig. A
Attaching/Removing the Leaf Collection Bag (vacuum mode only)	See Fig. B1, B2
Attaching the Shoulder Strap (supplied with WG514 only) <b>NOTE:</b> There are two positions for attaching the strap.	See Fig. C1, C2
<b>OPERATION</b>	
Converting from Vacuum to Blower <b>NOTE:</b> Press either (a) or (b) release button to turn the blower/vacuum selector knob until the knob clicks in place and is aligned with the corresponding arrow marking on the machine.	See Fig. D1, D2
Converting from Blower to Vacuum <b>NOTE:</b> Press either (a) or (b) release button to turn the blower/vacuum selector knob until the knob clicks in place and is aligned with the corresponding arrow marking on the machine.	See Fig. D3, D4
Attaching the Extension Cord	See Fig. E
Starting & Stopping  <b>WARNING:</b> -The tool runs for a few seconds after it has been switched off. Let the motor come to a complete standstill before setting the tool down.	See Fig. F

Multiple Speed Adjustments <b>• Two-speed Adjustment (only for WG512, WG514)</b> <b>Note:</b> -To maximum vacuum performance, it is better to use the II mode. -The I mode is only recommended when vacuuming in sensitive areas (i.e. flower beds) <b>• Variable Speed Adjustment (only for WG513)</b> <b>Note:</b> The speed of the blower can be altered by rotating the On/Off switch.	See Fig. G1, G2
Using the Blower <b>CAUTION!</b> -For maximum vacuum performance, it is better to use the II high speed mode. -Do not operate the blower near bystanders or pets. -Use extra care when cleaning debris from stairs or other tight areas. -Wear safety goggles or other suitable eye protection, long pants and shoes.	See Fig. G1, G2
Using the Vacuum <b>WARNING:</b> -For vacuuming, make sure the tube and bag are installed in position, or else the machine can not start. <b>CAUTION!</b> -Do not vacuum solid objects such as carpentry wood blocks, large branches, broken glass, or pieces of metal and stones.	See Fig. H
Emptying the Leaf Collection Bag <b>NOTE:</b> It is recommended to empty the collection bag contents when the bag is 75% full.   <b>WARNING:</b> -Normal usage of the Debris Collection bag causes it to wear and deteriorate over time. A worn or deteriorated bag allows small objects to be thrown through the bag, possibly injuring the operator or bystanders. Check the bag frequently. If it is worn or deteriorated, replace it with a new WORX debris collection bag.	See Fig. I1, I2

Removing Clogged Debris from the Impeller and Blade (Tool Not Supplied) <b>Note:</b> 1. Cover the tool from vacuum mode to blower mode before cleaning. 2. Remove the plug before opening the debris cover.	See Fig. J1, J2
---	-----------------

## TROUBLE SHOOTING

Problems	Possible Causes	Corrective Action
The Blower/Vacuum does not operate.	The Blower/Vacuum Tube is not attached to the Motor Housing.	Attach the Blower/Vacuum Tube to the Motor Housing.
	Power cord is not connected to the power source.	Connect the power cord to a power source.
	The leaf collection bag is not completely installed.	Install the leaf collection bag in place completely.
	The blower/vacuum switch is not in line with the corresponding arrow on the tool.	Push the switch to the proper position.
The Blower/Vacuum jammed or clogged.	Debris blocking in the Impeller	Remove clogged debris from the Impeller.
	Debris blocking in the Blower/Vacuum Tube or the connection of the Leaf Collection Bag	Remove clogged debris from the Blower/Vacuum Tube or the connection of the Leaf Collection Bag.

## MAINTENANCE

Remove the plug before carrying out any adjustment, servicing or maintenance.

Never use water or chemical cleaners to clean your power tool. Wipe clean with a dry cloth. Keep the motor ventilation slots clean. Keep all working controls free of dust. If the replacement of the supply cord is necessary, this has to be done by the manufacturer or his agent in order to avoid a safety hazard.

## STORAGE

Store the Blower/Vacuum and extension cord indoors, in a cool dry location, out of reach of children and animals.

# SÉCURITÉ DU PRODUIT



**AVERTISSEMENT:** Certaines des poussières produites en utilisant des outils électriques sont considérées par l'État de Californie comme susceptibles de provoquer le cancer, des anomalies congénitales et d'autres problèmes de reproduction. Voici des exemples de ces produits chimiques:

- plomb issu de peinture à base de plomb;
- silice cristalline issue de briques et du ciment et autres produits de maçonnerie;
- arsenic et chrome issus de bois traité chimiquement.

**Votre risque de ces expositions varie en fonction de la fréquence à laquelle vous effectuez ce travail. Pour réduire votre exposition à ces produits chimiques: travaillez dans une zone bien ventilée; portez un équipement de sécurité approuvé, tel que des masques antipoussières spécialement conçus pour éliminer les particules microscopiques par filtrage.**



**AVERTISSEMENT:** Ce produit peut vous exposer à des produits chimiques, incluant au plomb, au phtalate ou au bisphénol A, qui sont reconnus dans l'État de Californie comme pouvant causer un cancer, des anomalies congénitales ou d'autres dommages à l'appareil reproducteur. Assurez-vous de bien vous laver les mains après usage. Pour en savoir plus, veuillez consulter le site [www.P65Warnings.ca.gov](http://www.P65Warnings.ca.gov).



## Instructions importantes de sécurité



**AVERTISSEMENT:** Lors de l'utilisation d'appareils électriques de jardinage, des précautions de base doivent être observées afin de réduire les risques de feu, choc électrique, et blessure grave, incluant ce qui suit:



**AVERTISSEMENT: LISEZ TOUTES LES INSTRUCTIONS**

## POUR TOUS LES APPAREILS

- 1) Évitez les environnements dangereux. N'utilisez pas les appareils dans des environnements très humides ou mouillés.
- 2) N'utilisez pas sous la pluie.
- 3) Tenez les enfants éloignés. Tous les visiteurs devraient se tenir éloignés de l'aire de travail.
- 4) Habillez-vous convenablement. Ne portez pas des vêtements lâches ou des bijoux. Ils peuvent se prendre dans les pièces en mouvement. L'utilisation de gants de caoutchouc et chaussures épaisses est recommandée lors de travaux extérieurs. Portez une protection pour cheveux afin de contenir les cheveux longs.
- 5) Utilisez des lunettes de sécurité. Toujours porter un masque pour le visage ou pour la poussière

si l'opération est poussiéreuse.

- 6) Utilisez le bon appareil. N'utilisez pas l'appareil pour tout autre travail que pour celui auquel il est destiné.
- 7) Un disjoncteur différentiel devrait être utilisé sur le(s) circuit(s) et prise(s) murale(s) destinée(s) à l'appareil de jardinage. Des prises de défaut à la terre sont disponibles et peuvent être utilisées également.
- 8) **AVERTISSEMENT !** Afin de réduire le risque de choc électrique, utilisez seulement avec une rallonge électrique destinée à un usage extérieur, tel que les rallonges de types SW-A, SOW-A, STW-A, STOW-A, SJW-A, SJOW-A, SJTW-A, ou SJTOW-A.
- 9) Rallonge électrique ! Assurez-vous que votre rallonge électrique est en bon état. Lorsque vous utilisez une rallonge électrique, assurez-vous qu'elle puisse soutenir l'intensité du courant demandé par votre produit. Une rallonge électrique trop petite cause une baisse de la tension d'alimentation, entraînant une perte de puissance et une surchauffe. Le tableau 1 montre le calibre approprié en fonction de la longueur de la rallonge électrique et de l'ampérage indiqué sur la plaque signalétique. Dans le doute, utilisez le calibre supérieur. Plus le calibre est petit, plus la rallonge électrique est grosse. Afin de réduire le risque de déconnexion de l'appareil et de la rallonge électrique alors qu'il est en fonction:
  - i) Faites un nœud tel qu'illustré en Figure 1;
  - ii) Utilisez une courroie de retenue ou les connecteurs décrits dans ce manuel.
- 10) Évitez les démarrages non intentionnels. Ne transportez pas les appareils alors qu'ils sont connectés et que vous avez le doigt sur le commutateur. Soyez certain que le commutateur est en position « OFF » lorsque connecté.
- 11) Ne soumettez pas le cordon d'alimentation électrique à des abus. Ne transportez jamais l'appareil par le cordon d'alimentation électrique ou le tirer d'un coup sec afin de le déconnecter du réceptacle. Tenez le cordon d'alimentation électrique éloigné de la chaleur, l'huile, et les arêtes tranchantes.
- 12) Ne forcez pas l'appareil. Il va faire un meilleur travail et avec moins de risques de blessure en travaillant au taux de charge pour lequel il a été conçu.
- 13) N'essayez pas d'utiliser l'appareil hors de votre portée normale. Gardez votre équilibre et les pieds bien ancrés en tout temps.
- 14) Restez alerte. Faites attention à ce que vous faites. Utilisez le bon sens. N'utilisez pas l'appareil lorsque vous êtes fatigué.
- 15) Déconnectez l'appareil. Déconnectez l'appareil de la source d'alimentation lorsqu'il n'est pas en utilisation, avant d'en faire l'entretien, lors du changement d'accessoires tels que lames, et autres accessoires du même genre.
- 16) Entrez les appareils qui ne sont pas utilisés fréquemment. Lorsqu'ils ne sont pas utilisés, les appareils devraient être entreposés à l'intérieur dans un endroit sec, élevé et gardé sous clef,

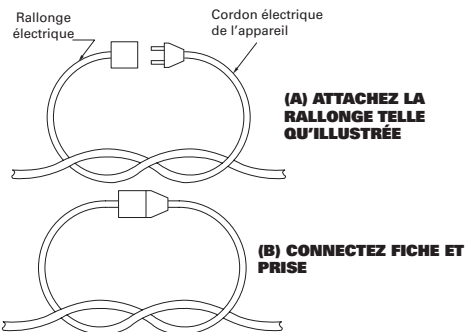
hors de la portée des enfants.

- 17) Entretenez les appareils avec soins. Gardez les arêtes de coupe aiguisées et propres pour une meilleure performance et risque réduit de blessure. Suivez les instructions pour lubrifier et changer les accessoires. Inspectez le cordon d'alimentation électrique de l'appareil périodiquement, et si endommagé, faites le réparer par un dépôt de service autorisé. Inspectez les cordons prolongateurs périodiquement et remplacez si endommagés. Gardez les poignées sèches, propres, et libres d'huile et de graisse.
- 18) Vérifier les pièces endommagées. Avant d'employer l'appareil, une garde ou autre pièce endommagée devrait être soigneusement vérifiée afin de déterminer qu'elle fonctionnera correctement et exécutera la fonction pour laquelle elle a été conçue. Vérifier l'alignement des parties mobiles, leur pincement, la brisure de pièces, montage, et toute autre condition qui peut affecter son opération. Une garde ou autre pièce endommagée devrait être correctement réparée ou remplacée par un centre de service autorisé à moins d'avis contraire ailleurs dans ce manuel.

**Tableau 1**  
**Grosueur minimum de fil pour rallonges**

Ampérage supporté	Tension électrique	Longueur totale de la rallonge électrique, en pieds				
		7.62 m (25ft)	15.24 m (50ft)	30.48 m (100ft)	45.72 m (150ft)	
PLUS QUE, AMPÈRES	Pas plus que, Ampères	120V	mm <sup>2</sup> (AWG)			
10	12	---	0.82 (18)	1.3 (16)	2.1 (14)	3.3 (12)

**Figure 1**  
**Method of securing extension cord**



## POUR TOUS LES APPAREILS ÉLECTRIQUES À DOUBLE ISOLATION

- 1) Pièces de remplacement  
Lors de l'entretien de l'appareil, n'utilisez que des pièces identiques de remplacement.
- 2) Connexions polarisées des appareils électriques  
Afin de réduire le risque de choc électrique, cet outil a une fiche de connexion polarisée (une des lames est plus large que l'autre) et requiert l'utilisation d'une rallonge électrique polarisée. La fiche de l'appareil s'accouple seulement dans un sens avec une rallonge électrique polarisée. Si la fiche ne s'accouple pas complètement avec la rallonge électrique, tournez la fiche. Si la fiche ne s'accouple toujours pas, utilisez une rallonge électrique polarisée. Une rallonge électrique polarisée nécessite une prise murale polarisée. Cette fiche entre seulement d'une seule façon à la prise murale polarisée. Si la fiche ne rentre pas complètement dans la prise murale, tournez la fiche. Si la fiche ne rentre toujours pas, contactez un électricien qualifié afin d'installer une prise murale appropriée. Ne changez pas la fiche de l'équipement, ou l'une des fiches de la rallonge électrique, de quelque façon que ce soit.

## CONSERVEZ CES INSTRUCTIONS

## INSTRUCTIONS SUPPLÉMENTAIRES CONCERNANT LA SÉCURITÉ DE VOTRE OUTIL AVERTISSEMENT CONSIGNES DE SÉCURITÉ

Vous devez lorsque vous utilisez des appareils électriques toujours prendre des précautions élémentaires, y compris les suivantes:

# LISEZ TOUTES LES INSTRUCTIONS AVANT D'UTILISER CET APPAREIL



**AVERTISSEMENT – Pour réduire le risque d'incendie, d'électrocution ou de blessure:**

- 1) Ne quittez pas l'appareil lorsqu'il est branché. Débranchez-le de la prise murale lorsque vous ne l'utilisez pas ou avant de le réparer.
- 2) Pour réduire le risque d'électrocution. Ne pas utiliser sur surfaces mouillées. Garder le à l'abri de la pluie. Rangez à l'intérieur.
- 3) Ne pas le laisser utiliser comme un jouet. Une surveillance toute particulière est exigée quand il est utilisé par ou à proximité d'enfants.
- 4) N'utiliser que selon les instructions décrites dans le manuel. N'utiliser que selon les pièces jointes recommandées du fabricant.
- 5) A ne pas utiliser avec un câble ou une prise endommagé. Retournez l'appareil à un centre de service, s'il ne fonctionne pas comme il devrait, ou qu'il a été échappé, endommagé, laissé à l'extérieur ou échappé dans l'eau.
- 6) Évitez de tirer sur le cordon ou de transporter l'appareil par le cordon, de se servir du cordon comme poignée, de fermer une porte sur le cordon ou de tirer le cordon autour de bords ou de coins pointus. Ne pas passer l'appareil au dessus du cordon. Éloignez le cordon des surfaces chauffées.
- 7) Ne touchez pas la prise ou l'appareil avec les mains mouillées.
- 8) Ne pas jeter d'objets dans les orifices. Ne pas utiliser avec un orifice bloqué; gardez libre de poussière, peluche, cheveux, et n'importe quoi qui peut réduire les flux d'air.
- 9) Gardez les cheveux, les vêtements larges, les doigts, et toutes les parties du corps éloignés des ouvertures et des pièces en mouvement.
- 10) Éteignez toutes les commandes avant de débrancher l'appareil.
- 11) Soyez particulièrement précautionneux lorsque vous utilisez l'appareil dans des escaliers.
- 12) Ne pas utiliser cet appareil pour aspirer des liquides inflammables ou combustibles, tels que l'essence, ni dans des endroits où ces liquides pourraient être présents.
- 13) Ne pas aspirer des choses qui sont en train de brûler ou de se consumer, comme des cigarettes, des allumettes ou des cendres encore chaudes.
- 14) Ne pas utiliser sans un sac de récupération de la poussière ou sans les filtres.
- 15) Ne débranchez pas l'appareil en tirant sur le cordon. Pour débrancher l'appareil, saisissez la fiche et non le cordon.
- 16) Cet appareil est muni d'une double isolation. Utilisez uniquement les pièces de rechange identiques. Référez-vous aux instructions relatives à l'entretien des appareils à double isolation.

# RÈGLES DE SÉCURITÉ SUPPLÉMENTAIRES CONCERNANT LA RALLONGE ÉLECTRIQUE

- 1)  Avertissement – Pour réduire le risque de blessures dues à un branchement électrique desserré entre la fiche de l'appareil et la rallonge électrique, branchez fermement et bien à fond la fiche de l'appareil à la rallonge électrique. Vérifiez le régulièrement le branchement tout en faisant fonctionner l'appareil pour vous assurer qu'il est bien branché. Ne pas utiliser une rallonge électrique qui résulte en un branchement desserré. Un branchement desserré peut entraîner une surchauffe, un incendie, et augmente le risque de brûlure.
- 2) Pour réduire le risque que le cordon de l'appareil puisse se débrancher de la rallonge électrique pendant le fonctionnement de l'appareil, fixez la fiche de l'appareil à la rallonge électrique comme indiqué ou décrit dans le manuel d'utilisation.

## CONSERVEZ CES INSTRUCTIONS

### ENTRETIEN DES APPAREILS À DOUBLE ISOLATION

Un appareil à double isolation est marqué d'un ou de plusieurs symboles suivants : Les mots « DOUBLE ISOLATION » ou « À DOUBLE ISOLATION » ou le symbole de la double isolation (un carré dans un carré).



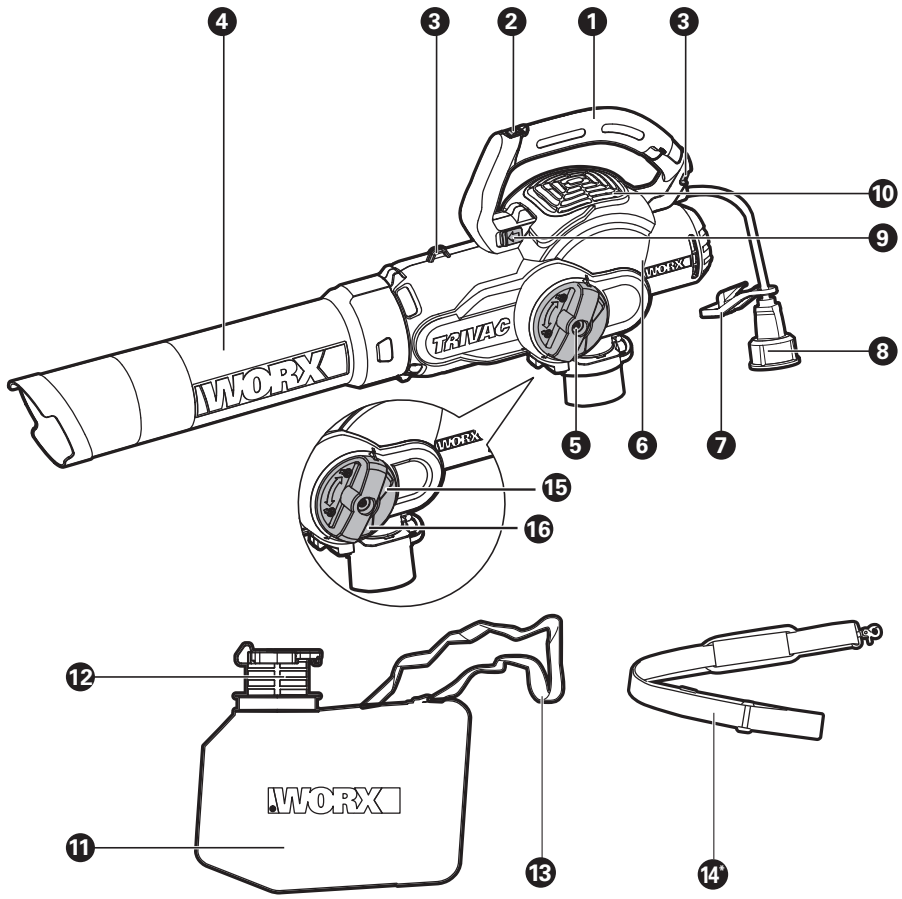
Sur un appareil à double isolation, deux systèmes d'isolation sont fournis au lieu d'une mise à la terre.

Aucun système de mise à la terre n'est fourni avec un appareil à double isolation et aucun système de mise à la terre n'est ajouté à cet appareil. L'entretien d'un appareil à double isolation nécessite une attention et une connaissance particulières du système et doit être mené par un personnel d'entretien qualifié. Les pièces de rechange pour un appareil à double isolation doivent être identiques aux pièces qu'elles remplacent.

## SYMBOLES

	Afin de réduire les risques de blessure, l'utilisateur doit lire ce mode d'emploi.
	Portez une protection auditive
	Portez un protecteur oculaire
	Double isolation
	Avertissement
	Mode soufflerie
	Mode aspiration
	La turbine poursuit sa rotation après l'arrêt de l'appareil. Attendez que tous les composants de l'appareil soient entièrement arrêtés avant d'y toucher.
	Avant de commencer de travailler avec l'appareil, débranchez l'appareil.





- 1. POIGNÉE**
- 2. INTERRUPTEUR MARCHÉ/ARRÊT**
- 3. CROCHET POUR BANDOULIÈRE À ACCESSOIRES**
- 4. TUBE DE SOUFFLAGE/D'ASPIRATION**
- 5. LEVIER DU SÉLECTEUR DU SOUFFLEUR/ASPIRATEUR**
- 6. LOGEMENT DU MOTEUR**
- 7. SUPPORT DE RALLONGE**
- 8. PRISE D'ALIMENTATION ÉLECTRIQUE**
- 9. BOUTON DE LIBÉRATION DU COUVERCLE À DÉBRIS**
- 10. COUVERCLE À DÉBRIS**
- 11. SAC DE RAMASSAGE DES FEUILLES**
- 12. COLLIER DU SAC À VIDANGE RAPIDE**
- 13. BANDOULIÈRE DU SAC DE RÉCUPÉRATION**
- 14. SANGLE D'ÉPAULE (INCLUS AVEC LE MODÈLE WG514 UNIQUEMENT) \***
- 15. BOUTON DE LIBÉRATION (A)**
- 16. BOUTON DE LIBÉRATION (B)**

\*Les accessoires illustrés ou décrits ne sont pas tous compris dans le cadre de la livraison standard.

## DONNÉES TECHNIQUES

	WG512	WG513	WG514
Tension	120V~60Hz		
Courant assigné	12A		
Vitesse à vide	16500/min		
Débit d'air	600 cfm	660 cfm	620 cfm
Vitesse de l'air	75 mph	80 mph	75 mph
Rapport de hachage	16:1	18:1	
Capacité du sac de récupération	42L (1.2 Bushels)		
Poids de la machine (Mode souffleur)	4.1kg (8.6 lbs)		
Double isolation	☐ //II		

## ACCESSOIRES

	WG512	WG513	WG514
Sac de ramassage des feuilles	1	1	1
Sangle d'épaule	/	/	1


Nous vous recommandons d'acheter tous vos accessoires du même magasin qui vous a vendu l'outil. Pour de plus amples renseignements, consultez l'emballage de l'accessoire. Le personnel du magasin peut également vous conseiller.

# OPÉRATION

## UTILISATION PRÉVUE

l'aspirateur souffleur est destiné uniquement à un usage résidentiel. Utilisez la souffleuse en extérieur pour déplacer des débris selon les besoins.

## ASSEMBLAGE & FONCTIONNEMENT

ACTION	SCHEMA
<b>ASSEMBLAGE</b>	
Montage de la souffleuse/du tube d'aspiration	Voir Fig. A
Fixation/retrait du sac de collecte de feuilles (mode aspiration uniquement)	Voir Fig. B1, B2
Fixation de la sangle d'épaule (fourni avec le modèle WG514 uniquement) <b>Remarque:</b> La sangle peut se fixer de deux manières.	Voir Fig. C1, C2
<b>OPÉRATION</b>	
Conversion de souffleur à aspirateur <b>Remarque:</b> Appuyez sur le bouton de déverrouillage (a) ou (b) pour tourner le bouton de sélection de soufflerie/aspirateur jusqu'à ce que le bouton s'enclenche et soit aligné avec la flèche correspondante sur la machine.	Voir Fig. D1, D2
Converting from Blower to Vacuum <b>NOTE:</b> Press either (a) or (b) release button to turn the blower/vacuum selector knob until the knob clicks in place and is aligned with the corresponding arrow marking on the machine.	Voir Fig. D3, D4
Branchement de la rallonge électrique	Voir Fig. E
DÉMARRAGE & ARRÊT  <b>Avvertissement:</b> - L'outil fonctionne encore pendant quelques secondes une fois qu'il est éteint. Laissez le moteur atteindre un arrêt complet avant de poser l'outil à terre.	Voir Fig. F

Réglage vitesses multiples • <b>Réglage à deux vitesses (pour WG512, WG514 seulement)</b> <b>Remarque:</b> - Pour une performance d'aspiration maximale, il est préférable d'utiliser la vitesse II. - La vitesse I n'est recommandée que pour les zones sensibles (exemple : le jardin de fleurs) • <b>Réglage de vitesse variable (pour WG513 seulement)</b> <b>Remarque:</b> La vitesse du souffleur peut être modifiée en tournant l'interrupteur Marche/Arrêt.	Voir Fig. G1, G2
Utilisation de la souffleuse <b>Mise en garde!</b> - Ne soufflez pas des objets durs comme des clous, des boulons ou des pierres. - N'opérez pas la souffleuse à proximité de spectateurs ou d'animaux. - Prenez des précautions particulières lorsque vous nettoyez des débris sur des escaliers ou autres zones étroites. - Portez des lunettes de sécurité ou autre protection adaptée pour les yeux, un pantalon et des chaussures.	Voir Fig. G1, G2
Utilisation de l'aspirateur <b>Avvertissement:</b> — Pour passer l'aspirateur, assurez-vous que le tube et le sac sont bien fixés, dans le cas contraire, l'outil ne démarre pas. <b>Mise en garde!</b> — Ne pas aspirer des objets solides comme des blocs et chutes de bois, de grandes branches, du verre brisé, des morceaux de métal ou des pierres.	Voir Fig. H

<p>Vider le sac de collecte de feuilles</p> <p><b>Remarque:</b> Il est recommandé de vider le sac de ramassage lorsqu'il est rempli à 75 %.</p> <p> <b>Avvertissement:</b> -Une utilisation normale du sac entraîne une usure et une détérioration au fil du temps. Un sac usé ou détérioré permet que de petits objets soient projetés à travers le sac, avec des risques de blessure pour l'opérateur ou les spectateurs. Vérifiez fréquemment le sac. S'il est usé ou détérioré, remplacez-le par un nouveau WORX sac d'aspirateur.</p>	<p>Voir Fig. I1, I2</p>
<p>Comment enlever les bouchons de débris de l'hélice (aucun outil inclus)</p> <p><b>Remarque:</b> 1. Passez l'outil du mode aspirateur au mode souffleur avant de procéder à son nettoyage. 2. Retirez la prise avant d'ouvrir le couvercle à débris.</p>	<p>Voir Fig. J1, J2</p>

## DÉPANNAGE

Problème	Causes possibles	Mesures correctives
Le souffleur/aspirateur ne fonctionne pas.	Le tube d'aspiration ou le couvercle du ventilateur n'est pas attaché au boîtier du moteur.	Attachez le tube d'aspiration ou le couvercle du ventilateur au boîtier du moteur.
	Le câble d'alimentation n'est pas connecté à une prise électrique.	Branchez le cordon d'alimentation à une source d'alimentation.
	Le sac de collecte de feuilles n'est pas correctement installé.	Installez correctement le sac de collecte de feuilles.
	L'interrupteur souffleur/aspirateur ne correspond pas à la flèche correspondante sur l'outil.	Placez l'interrupteur sur la bonne position.
Le souffleur/aspirateur est obstrué ou bloqué.	Des débris bloquent le rotor.	Comment enlever les bouchons de débris de l'hélice.
	Des débris bloquent le tube de soufflage /d'aspiration ou la connexion du sac de récupération des feuilles.	Enlevez l'obstruction du tube de soufflage /d'aspiration ou de la connexion du sac de récupération des feuilles.

## 20 ENTRETIEN

### Retirez la prise de l'alimentation avant une procédure d'ajustements, d'entretien ou de maintenance.

N'utilisez jamais de l'eau ou des nettoyeurs chimiques pour nettoyer l'outil. Rangez toujours votre outil dans un endroit sec. Gardez propres les ouvertures de ventilation du moteur. Si le cordon d'alimentation est endommagé, il doit être remplacé par le fabricant, son agent de réparation ou d'autres personnes professionnelles afin d'éviter tout danger.

## ENTREPOSAGE

Entreposez le souffleur/aspirateur et la rallonge électrique en intérieur, dans un endroit sec et frais, hors de portée des enfants et des animaux.

## SEGURIDAD DEL PRODUCTO



**ADVERTENCIA:** El polvo originado por la utilización de herramientas motorizadas contiene químicos que, según el Estado de California, causan cáncer, defectos congénitos y otros daños reproductivos. Algunos ejemplos de esos productos químicos son:

- El plomo de las pinturas a base de plomo;
- La sílice cristalina de los ladrillos, del cemento y de otros productos de albañilería;
- El arsénico y el cromo de la madera tratada químicamente.

El riesgo que se corre a causa del contacto con esos productos varía según la frecuencia con que usted realice este tipo de trabajos. Con el fin de reducir su exposición a esas sustancias químicas: trabaje en un área bien ventilada; utilice un equipo de seguridad adecuado, tal como una máscara contra el polvo especialmente diseñada para filtrar partículas microscópicas.



**ADVERTENCIA:** Este producto puede exponerlo a químicos que incluyen plomo, ftalato, o bisfenol A que se sabe en el Estado de California que causan cáncer, defectos de nacimiento u otros daños reproductivos. Lave sus manos después de usarlo. Para más información visite [www.P65Warnings.ca.gov](http://www.P65Warnings.ca.gov).



### Instrucciones de seguridad importantes



**ADVERTENCIA:** Cuando se emplean herramientas eléctricas para jardinería, siempre deben seguirse ciertas pautas básicas de seguridad a fin de reducir el riesgo de incendio, descarga eléctrica o lesión seria, incluyendo las siguientes:



**ADVERTENCIA:** Lea y comprenda todas las instrucciones.

### PARA TODAS LAS HERRAMIENTAS

- 1) Evite ambientes peligrosos. No utilice las herramientas en lugares húmedos o mojados.
- 2) No trabaje bajo la lluvia.
- 3) Mantenga alejados a los niños. Todos los visitantes deben mantenerse a distancia del área de trabajo.
- 4) Vístase apropiadamente. No use ropas sueltas o alhajas, ya que pueden quedar atrapadas en las piezas móviles. Cuando se trabaja al aire libre se recomienda el uso de guantes de goma y calzado resistente. Emplee protección adecuada para contener el cabello largo.
- 5) Utilice gafas de seguridad. Emplee siempre máscara para la cara o máscara anti-polvo en operaciones donde se emite mucho polvo.
- 6) Utilice la herramienta correcta. Emplee la

herramienta únicamente para la finalidad para la cual fue diseñada.

- 7) La protección de interruptores de circuito con polo a tierra (GFCI) debe ser proporcionada en todos los circuitos o tomacorrientes a ser empleados para herramientas de jardinería. Se encuentran disponibles receptáculos con protección incorporada GFCI que pueden utilizarse para esta medida de seguridad.
- 8) **ADVERTENCIA!** Para reducir el riesgo de descarga eléctrica, utilice únicamente cables prolongadores diseñados para uso al aire libre, del tipo SW-A, SOW-A, STW-A, STOW-A, SJW-A, SJOW-A, SJTW-A o SJTOW-A.
- 9) Cable prolongador! Cerciérese de que su cable prolongador esté en buenas condiciones. Asegúrese de utilizar un prolongador lo suficientemente resistente como para soportar la corriente que requiere su producto. Un cable pequeño causará una caída de corriente en la línea de voltaje, dando por resultado recalentamiento y pérdida de potencia. La Tabla 1 muestra el calibre correcto a utilizar, dependiendo de la longitud del cable y del amperaje indicado en la placa de identificación. En caso de duda, utilice el tamaño mayor siguiente. Cuanto menor es el calibre, mayor es la capacidad del cable. A fin de evitar la desconexión del cable de la herramienta del prolongador durante el funcionamiento:
  - i) Haga un nudo como se muestra en la Figura 1;
  - ii) Utilice una de las bandas de sujeción del enchufe-receptáculo o conectores descritos en este manual.
- 10) Evite el arranque accidental. No transporte la herramienta enchufada con el dedo en el interruptor. Cerciérese de que el interruptor esté apagado cuando enchufe la máquina
- 11) No abuse del cable. Nunca transporte la herramienta por el cable ni tire de éste para desconectarla del tomacorriente. Proteja el cable del calor, el aceite y los bordes agudos.
- 12) No fuerce la herramienta. Hará un trabajo mejor y más seguro a la velocidad para la cual fue diseñada.
- 13) No se extralimite. Manténgase firme y con buen equilibrio en todo momento.
- 14) Permanezca alerta. Ponga siempre atención en lo que está haciendo. Utilice el sentido común. No opere la herramienta cuando esté cansado.
- 15) Desconecte la herramienta. Cuando no se encuentre en uso, antes de hacer mantenimiento o al cambiar accesorios tales como hojas de corte o similares, desenchufe la herramienta del tomacorriente.
- 16) Guarde las herramientas que no usa en lugares cerrados. Cuando no se encuentran en uso, las herramientas deben guardarse en un lugar seco, elevado o cerrado con llave, lejos del alcance de los niños.
- 17) Mantenga la herramienta con cuidado. Conserve los bordes cortantes limpios y bien afilados, a fin de obtener el mejor rendimiento y reducir los

riegos de lesiones. Siga las instrucciones para la lubricación y el cambio de accesorios. Examine periódicamente el cable de la herramienta y si está dañado hágalo reparar por un agente autorizado. Examine periódicamente los prolongadores y sustitúyalos si están dañados. Mantenga los mangos secos, limpios y libres de aceite y grasa.

- 18) Verifique las piezas dañadas. Las guardas protectoras u otras partes dañadas deben verificarse cuidadosamente antes de cualquier uso futuro de la herramienta, a fin de determinar si funcionarán correctamente y realizarán la función prevista. Compruebe que las piezas móviles se encuentren alineadas y correctamente ajustadas, que no haya rotura de piezas, de montaje o cualquier otra condición que pueda afectar su funcionamiento. Una guarda protectora u otra pieza que se encuentre dañada debe ser reparada o sustituida correctamente en un centro de servicio autorizado, a menos que en este manual de instrucciones se indique lo contrario.

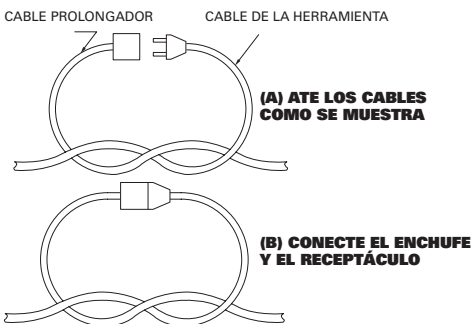
## PARA TODAS LAS HERRAMIENTAS CON AISLACIÓN DOBLE

- 1) Piezas de reemplazo  
Al realizar el mantenimiento, utilice sólo piezas de reemplazo idénticas.
- 2) Conexiones de la herramienta polarizada  
A fin de reducir el riesgo de una descarga eléctrica, esta herramienta posee un enchufe polarizado (una clavija es más ancha que la otra) y requerirá el uso de un cable de extensión polarizado. El enchufe de la herramienta podrá insertarse en un cable de extensión polarizado de una sola manera. Si no es posible insertar por completo el enchufe en el cable de extensión, gire el enchufe. Si continúa sin poder insertar el enchufe, obtenga un cable de extensión polarizado correcto. Un cable de extensión polarizado requerirá la utilización de un tomacorriente polarizado. Este enchufe podrá insertarse en el tomacorriente polarizado de una sola manera. Si no es posible insertar por completo el enchufe en el tomacorriente, gire el enchufe. Si continúa sin poder insertar el enchufe, pongase en contacto con un electricista calificado para solicitarle la instalación de un tomacorriente adecuado. No modifique de ninguna manera el enchufe de la herramienta, el tomacorriente del cable de extensión o el enchufe del cable de extensión.

**Tabla 1**  
**Calibre mínimo para los cables prolongadores**

Amperaje	Volta-je	Longitud total del cable en metros				
		7.62 m (25ft)	15.24 m (50ft)	30.48 m (100ft)	45.72 m (150ft)	
Mayor de, Amps	No Mayor de, Amps	120V	mm <sup>2</sup> (AWG)			
10	12	-	0.82 (18)	1.3 (16)	2.1 (14)	3.3 (12)

**Figura 1**  
**Método para asegurar el cable prolongador**



## CONSERVE ESTAS INSTRUCCIONES

## INFORMACIÓN DE SEGURIDAD ADICIONAL DE LA HERRAMIENTA ADVERTENCIA INSTRUCCIONES DE SEGURIDAD

Al utilizar una herramienta eléctrica, se deben tener en cuenta precauciones básicas, incluidas las siguientes:


## LEA TODAS LAS INSTRUCCIONES ANTES DE UTILIZAR ESTA HERRAMIENTA/APPLIANCE

**ADVERTENCIA** -Para reducir el riesgo de incendio, descarga eléctrica o lesión:

- 1) No abandone el aparato cuando se encuentre conectado. Desconéctelo de la toma si no se encuentra en uso y antes de repararlo.
- 2) Para reducir el riesgo de descarga eléctrica, no exponga el aparato a la lluvia. Consérvelo en un entorno interior. No lo utilice sobre superficies mojadas.
- 3) No permita que se utilice el aparato como un juguete. Preste atención si se utiliza por o en las cercanías de niños.
- 4) Utilice el aparato únicamente como se describe en el manual. Utilice sólo los componentes recomendados por el fabricante.

- 5) No utilice con un cable o conector dañados. Si el producto no funciona como debería, se ha caído, dañado, se ha expuesto a exteriores o se ha caído al agua, devuélvalo al centro de servicio técnico.
- 6) No tire o transporte con el cable, utilice el cable como mango, cierre la puerta con el cable o tire del cable alrededor de bordes o esquinas filosos. No coloque el producto sobre el cable. Mantenga el cable alejado de superficies calientes.
- 7) No manipule el enchufe ni el aparato con las manos mojadas.
- 8) No coloque ningún objeto sobre las aberturas. No utilice el aparato bloqueando ninguna abertura. Mantenga el aparato limpio de polvo, hebras, pelo o cualquier otra cosa que pudiera reducir el flujo de aire.
- 9) Mantenga el pelo, las prendas holgadas, los dedos y todas las demás partes del cuerpo alejadas de las aberturas y partes móviles.
- 10) Desactive todos los controles antes de desconectar.
- 11) Tenga especial cuidado si realiza la limpieza montado sobre una escalera.
- 12) No utilice el producto para recoger líquidos inflamables o combustibles, como gasolina, ni lo utilice en áreas donde podrían estar presentes.
- 13) No recoja ningún objeto que se esté quemando o despidiendo humo, como cigarrillos, fósforos o cenizas calientes.
- 14) No utilice el producto sin la bolsa de polvo y/o filtros colocados.
- 15) No desconecte jalando del cable. Para desconectar, sujete el enchufe, no el cable.
- 16) Este aparato está provisto con doble aislamiento. Sólo use partes de reemplazo idénticas. Vea las instrucciones para Dar servicio a aparatos de doble aislamiento.

## REGLAS DE SEGURIDAD ADICIONALES PARA CABLE DE EXTENSIÓN

- 1)  Advertencia – Para reducir el riesgo de lesiones personales debido a una conexión eléctrica suelta entre el enchufe del electrodoméstico y el cable de extensión, sujete firme y completamente el enchufe del aparato al cable de extensión. Periódicamente, verifique la conexión mientras opera para asegurarse que esté completamente conectada. No use un cable de extensión que proporcione una conexión suelta. Una conexión floja puede provocar sobrecalentamiento, incendio y aumenta el riesgo de quemaduras.
- 2) Para reducir el riesgo de desconexión del cable del electrodoméstico del cable de extensión durante la operación, asegure el cable de extensión al enchufe del aparato como se muestra o describe en las Instrucciones de operación.

## CONSERVE ESTAS INSTRUCCIONES

### SERVICIO A APARATOS DE DOBLE AISLAMIENTO

Un aparato con doble aislamiento está marcado con una o más de los siguientes: Las palabras “DOBLE AISLAMIENTO” o “DOBLE AISLADO” o el símbolo de doble aislamiento (cuadrado dentro de otro cuadrado).



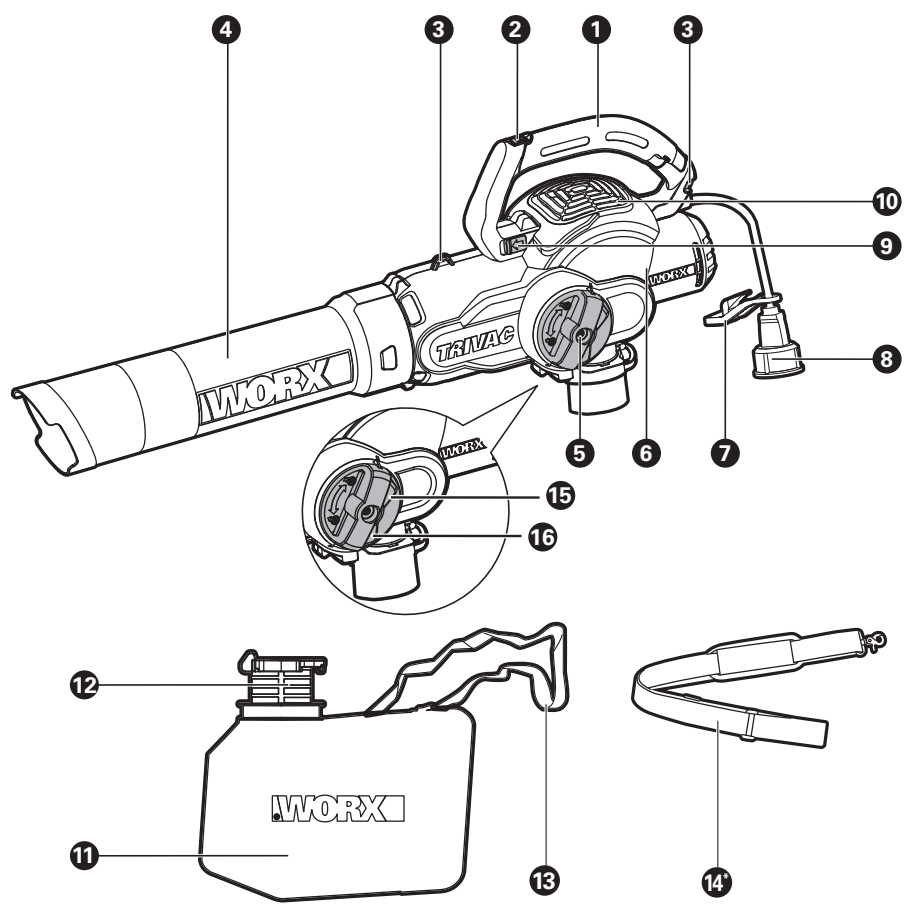
En un aparato con doble aislamiento, se proporcionan dos sistemas de aislamiento en lugar de conexión a tierra.

No se proporcionan medios de conexión a tierra en un aparato con doble aislamiento, ni se deben agregar medios para conexión a tierra al aparato. Dar servicio a un aparato con doble aislamiento requiere cuidado extremo y conocimiento del sistema, y sólo debe ser realizado por personal de servicio calificado.

Las partes de reemplazo para un aparato con doble aislamiento deben ser idénticas a las partes que se reemplazan.

## SÍMBOLOS

	Para reducir el riesgo de lesiones, el usuario deberá leer el manual de instrucciones
	Use lentes de seguridad
	Use protección auditiva
	Doble aislamiento
	Advertencia
	Modo de soplado
	Modo de aspirado
	El impulsor continúa girando después de apagada la máquina. Espere a que todos los componentes se hayan parado completamente antes de tocarlos.
	Antes de realizar cualquier trabajo en la máquina, extraiga el enchufe de alimentación del tomacorriente



# 12AMP Aspiradora/Soplador/Mulcher todo en uno ES



- 1. MANGO**
- 2. INTERRUPTOR DE ENCENDIDO/APAGADO**
- 3. GANCHO DE CORREA DE HOMBRO DE ACCESORIO**
- 4. TUBO DEL SOPLADOR/ASPIRADORA**
- 5. PALANCA DE SELECCIÓN DEL SOPLADOR/ASPIRADORA**
- 6. CUBIERTA DEL MOTOR**
- 7. SOPORTE DEL CABLE DE EXTENSIÓN**
- 8. ENCHUFE ELÉCTRICO**
- 9. BOTÓN DE LIBERACIÓN DE CUBIERTA DE DESECHOS**
- 10. CUBIERTA DE DESECHOS**
- 11. BOLSA DE RECOLECCIÓN DE HOJAS**
- 12. CUELLO DE LA BOLSA PARA LIBERACIÓN RÁPIDA**
- 13. CORREA DE HOMBRO DE BOLSA DE RECOLECCIÓN**
- 14. CORREA DE HOMBRO (INCLUIDA CON WG514 ÚNICAMENTE) \***
- 15. BOTÓN DE LIBERACIÓN (A)**
- 16. BOTÓN DE LIBERACIÓN (B)**

\*No todos los accesorios ilustrados o descritos se incluyen junto con el producto estándar.

## DATOS TÉCNICOS

	WG512	WG513	WG514
Voltaje	120V~60Hz		
Corriente nominal	12A		
Velocidad nominal sin carga	16500/min		
Flujo de aire	600 cfm	660 cfm	620 cfm
Velocidad del aire	75 mph	80 mph	75 mph
Relación de triturado	16:1	18:1	
Capacidad de la bolsa de recolección	1.2 Bushels (42L)		
Peso de la máquina (Modo de soplado)	8.6 lbs (4.1kg)		
Doble aislamiento	<input type="checkbox"/> /II		

## ACCESORIOS

	WG512	WG513	WG514
Bolsa de recolección de hojas	1	1	1
Correa de hombro	/	/	1

Le recomendamos que compre todos los accesorios en la tienda donde adquirió la herramienta. Consulte el empaque de los accesorios para obtener más detalles. El personal de la tienda también puede ayudarle y aconsejarle.


# 12AMP Aspiradora/Soplador/Mulcher todo en uno ES


# FUNCIONAMIENTO

## USO DESTINADO

El soplador y la aspiradora están diseñados sólo para uso residencial. Utilice el soplador en exteriores para mover los desechos cuando sea necesario.

## ENSAMBLE & FUNCIONAMIENTO

ACCIÓN	FIGURA
<b>ENSAMBLE</b>	
Ensamble el tubo del soplador / Aspiradora	Vea la Fig. A
Conexión/retiro de bolsa de recolección de hojas (sólo modo de aspiradora)	Vea la Fig. B1, B2
Coloque la correa de hombro (incluida con WG514 únicamente) <b>Nota:</b> Hay dos posiciones para colocar la correa.	Vea la Fig. C1, C2
<b>FUNCIONAMIENTO</b>	
Conversión de Aspiradora a Soplador <b>Nota:</b> Presione el botón de liberación (a) o (b) para girar la perilla selectora de soplador/ aspiradora hasta que la perilla haga clic en su lugar y esté alineada con la marca de flecha correspondiente en la máquina.	Vea la Fig. D1, D2
Cambio de soplador a aspiradora <b>Nota:</b> Presione el botón de liberación (a) o (b) para girar la perilla selectora de soplador/ aspiradora hasta que la perilla haga clic en su lugar y esté alineada con la marca de flecha correspondiente en la máquina.	Vea la Fig. D3, D4
Colocación del cable de extensión	Vea la Fig. E
Encendido & Apagado	Vea la Fig. F
 <b>ADVERTENCIA:</b> - La herramienta seguirá funcionando durante algunos segundos luego de que haya sido apagada. Espere a que el motor se detenga por completo antes de apoyar la herramienta.	

Ajustes de velocidad múltiples <b>• Ajuste de dos velocidades (sólo para WG512, WG514)</b> <b>Nota:</b> - Para el desempeño de aspirado máximo, es mejor usar la velocidad II. - La velocidad I sólo se recomienda cuando aspire en áreas sensibles (por ej., lechos de flores) <b>• Ajuste de velocidad variable (sólo para WG513)</b> <b>Nota:</b> La velocidad del soplador se puede alterar girando el interruptor On/Off (encendido/apagado).	Vea la Fig. G1, G2
Utilización del soplador <b>Precaución!</b> -No realice el soplado de objetos duros como clavos, pernos o rocas. -No utilice el soplador cerca de personas o mascotas. -Tenga sumo cuidado cuando se realice la limpieza de desechos en escaleras u otras áreas pequeñas. -Utilice anteojos de seguridad u otra protección ocular apropiada, pantalones largos y zapatos.	Vea la Fig. G1, G2
Utilización de la aspiradora <b>ADVERTENCIA:</b> -Para aspirar, asegúrese que el tubo y la bolsa estén instalados en posición, o de otra manera la máquina no puede arrancar. <b>Precaución!</b> -No aspire objetos sólidos tales como bloques de madera de carpintería, ramas grandes, vidrio roto, o piezas de metal y piedras.	Vea la Fig. H
Vaciar la bolsa de recolección de hojas <b>Nota:</b> Se recomienda vaciar el contenido de la bolsa de recolección cuando la bolsa esté llena al 75%.   <b>ADVERTENCIA:</b> -La utilización normal de la bolsa causa con el tiempo un desgaste y deterioro de ésta. Una bolsa desgastada o deteriorada permite que los objetos pequeños atraviesen la bolsa y puedan causar lesiones al operador u otras personas. Revise la bolsa en forma periódica.	Vea la Fig. I1, I2

Eliminación de los residuos atascados en rotor metálicos (no se incluyen herramientas) <b>Nota:</b> 1. Convierta la herramienta de modo de aspiradora y modo de soplador antes de limpiar. 2. Retire el enchufe antes de abrir la cubierta de desechos.	Vea la Fig. J1, J2
--	--------------------

## SOLUCIÓN DE PROBLEMAS

PROBLEMAS	Posibles causas	Acción correctiva
El soplador/ aspiradora no funciona.	El tubo de aspirado o la tapa del ventilador no están instalados en el alojamiento del motor.	Coloque el tubo de aspirado o tapa del ventilador en el alojamiento del motor.
	El cable de alimentación no está conectado a la fuente de alimentación.	Conecte el cable de alimentación a una fuente de alimentación.
	La bolsa de recolección de hojas no está completamente instalada.	Instale la bolsa de recolección de hojas en su lugar por completo.
	El interruptor del soplador/ aspiradora no está en línea con la flecha correspondiente en la herramienta.	Oprima el interruptor a la posición adecuada.
El soplador/ aspiradora está atascado u obstruido.	Los residuos están bloqueando el rotor.	Eliminación de los residuos atascados en rotor metálicos.
	Los residuos están bloqueando el tubo de soplado / aspirado o la conexión de la bolsa de recolección de hojas.	Extraiga los residuos atascados del tubo de soplado / aspirado a la conexión de la bolsa de recolección de hojas.

## MANTENIMIENTO

### Extraiga el enchufe del tomacorriente antes de realizar cualquier ajuste, reparación o mantenimiento.

Nunca emplee agua o productos químicos para limpiar su herramienta. Use simplemente un paño seco. Mantenga limpias las ranuras de ventilación del motor. Mantenga limpias las ranuras de ventilación del motor. Si el cable de alimentación se encuentra dañado deberá ser reemplazado por el fabricante, su agente de servicio o algún otro profesional igualmente cualificado para llevar a cabo dichas operaciones, con el fin de evitar riesgos.

## ALMACENAMIENTO

Almacene el soplador/aspiradora y el cable de extensión en interiores y en un lugar fresco, seco y alejado del alcance de niños y animales.



**[www.worx.com](http://www.worx.com)**

Copyright © 2018, Positec. All Rights Reserved.

Copyright © 2018, Positec. Tous droits réservés.

© Derechos reservados 2018, Positec. Todos los derechos reservados.

AR01381800