

PLEASE READ THIS ENTIRE GUIDE CAREFULLY BEFORE INSTALLING IRVING ACRYLIC BLEACH STAINED EASTERN WHITE CEDAR SHINGLES.

IMPORTANT:

COMPLIANCE WITH IRVING ACRYLIC BLEACH STAINED CEDAR SHINGLE INSTALLATION AND STORAGE REQUIREMENTS AS WELL AS THE APPLICABLE BUILDING CODES IN YOUR REGION IS MANDATORY.

Before installing your shingles, carefully check your order to make sure you have received the right products. If you notice any anomalies or have any doubts about the products, **DO NOT INSTALL** and contact a store representative immediately.

NOTE: The distributor will replace only defective products that have not yet been installed.

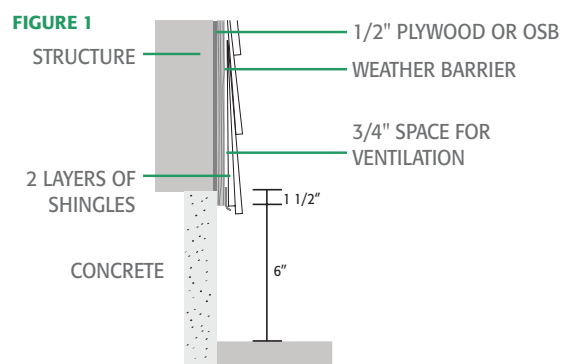
IRVING acrylic bleach stained cedar shingles are for exterior use only. They are recommended for sidewall applications only. Roofing applications require minimum double course/layer and maximum 5" exposure.

1. STORING THE PRODUCT

- Keep the shingles in a dry and ventilated area. They should not come in direct contact with the ground.
- Cover any unused shingles in their original packaging when not being installed.

2. BEFORE YOU BEGIN INSTALLATION

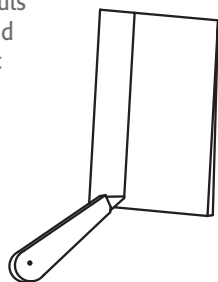
- The installed shingles must not come in direct contact with the ground, masonry, insulation or horizontal structures. Ensure a minimum clearance of 6" from the ground, 3/4" from insulation or masonry, and 1" from horizontal structures.
- Exterior sidings do not form a waterproof barrier; be sure to install a weather barrier such as TYPAR or TYVEK first to protect from water infiltration.
- Installing gutters or mouldings to deflect water away from the shingles will help to prevent premature aging of the finish.



3. CUTS AND FINISHING

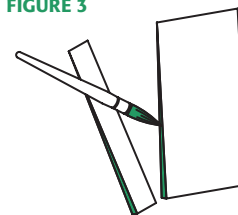
- Use a sharp utility knife to cut the shingles. Score several straight cuts into the shingle's surface and fold along the scored line. An electric saw can also be used.

FIGURE 2



- Touch up all cuts made to acrylic bleach stained cedar shingles, as wood can deteriorate if left unprotected. Apply touch-up stain (CABOT Water Base Bleaching Stain #10241) to all cut or planed surfaces, and to all bare wood, even if it will not be visible once the shingle is installed.
- Use touch-up paint sparingly and only where needed, such as on bare wood and damaged areas. Avoid applying too much stain, which will create an uneven sheen over time and in direct sunlight.

FIGURE 3





4. PREPARING THE WALL

- Acrylic bleach stained cedar shingles can be installed over different membranes. There must be proper ventilation and drainage behind the shingles.
- Home Slicker® can also be used. Be sure to follow the installation instructions provided by the product's manufacturer, Benjamin Obdyke.

5. INSTALLING THE SHINGLES

EXPOSURE

The exposure (exposed portion) for shingles is 5", but can range from 4" to 5 1/4".

Approximate coverage per bundle:

4" exposure: 20 sq. ft.

4.5" exposure: 22.5 sq. ft.

5" exposure: 25 sq. ft.

STARTER COURSE

Always install two layers of shingles for the starter course. This course must extend at least 1" past the foundation. [FIGURE 1]

SPACING

- Space shingles at least 1/8" apart. DO NOT BUTT SHINGLES TOO CLOSELY TOGETHER IN ORDER TO ALLOW FOR THE NATURAL EXPANSION AND CONTRACTION INHERENT TO WOOD SPECIES.
- Make sure joints do not line up over subsequent rows. Leave at least a 1 1/2" space between the joint in the previous row.

FASTENERS

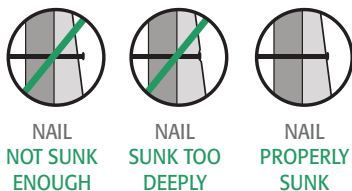
IRVING acrylic bleach stained cedar shingles can be installed with galvanized or stainless steel nails or staples. DO NOT USE ELECTRO GALVANIZED NAILS OR STAPLES.

- Always use two fasteners per shingle, regardless of its width.
- Position fasteners no more than 3/4" from each edge and 1" maximum above the butt line of the overlapping shingle.
- Fasteners must penetrate at least 1/2" into a solid nailable substrate (chosen sheathing substrate such as plywood or OSB).

NAILS:

- Stainless or hot-dipped galvanized steel nails
- Ring shank blunt tip nails with minimum 7/32" head

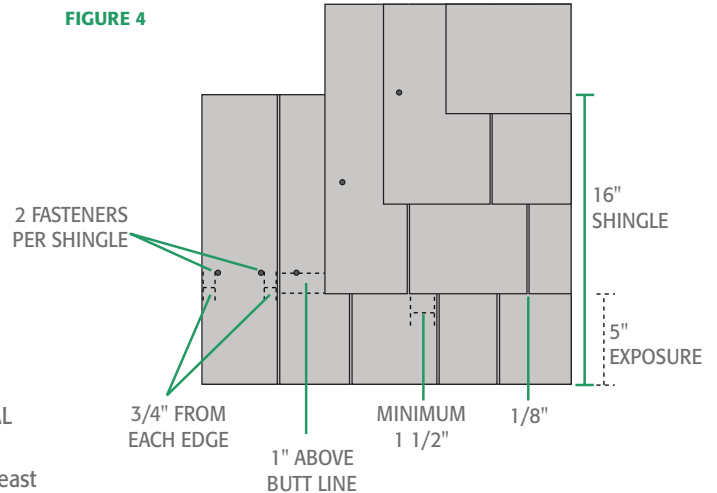
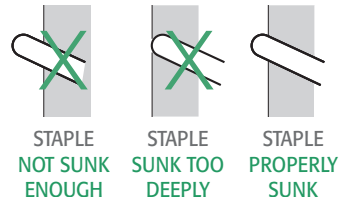
FIGURE 5



STAPLES:

- Stainless steel 304 or 316 or aluminum, minimum 7/16" crown, minimum 16 gauge staples

FIGURE 6



6. MAINTENANCE

IRVING acrylic bleach stained shingles require minimal maintenance. Consult the IRVING Shingle Maintenance Guide available at jdirvinglumber.com

For any additional information, please visit jdirvinglumber.com

1 800 518-7999

Irving Forest Products, Inc. / J.D. Irving Lumber
300 Union Street, Saint John, NB E2L 4M3 Canada

IMPORTANT : COMPLIANCE WITH IRVING ACRYLIC BLEACH STAINED CEDAR SHINGLE INSTALLATION AND STORAGE REQUIREMENTS AS WELL AS THE APPLICABLE BUILDING CODES IN YOUR REGION IS MANDATORY.