



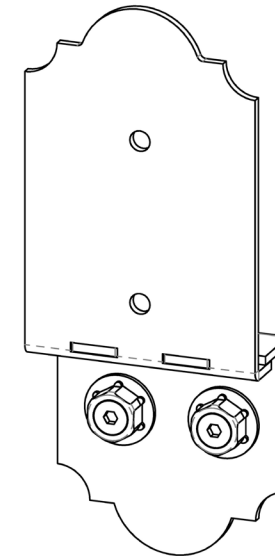
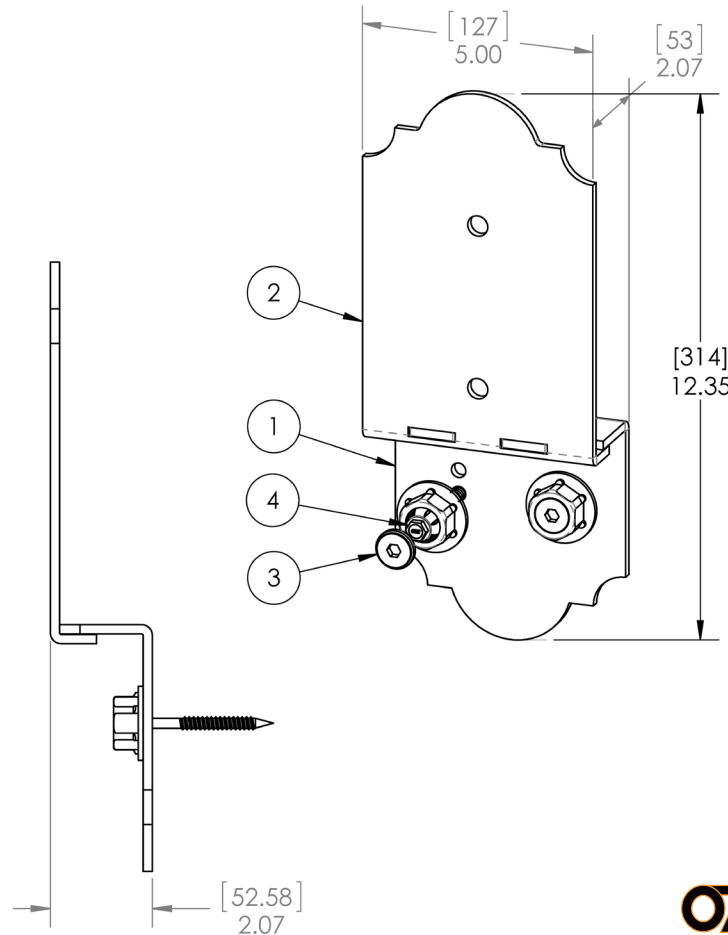
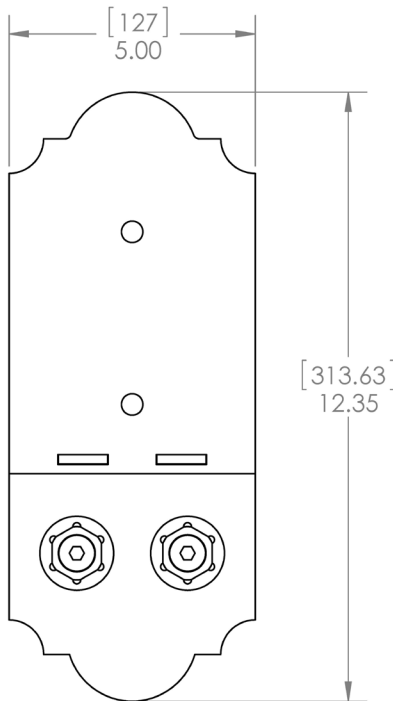
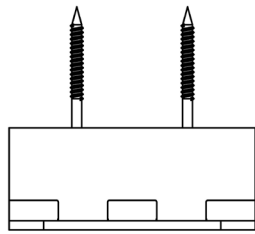
Post To Beam

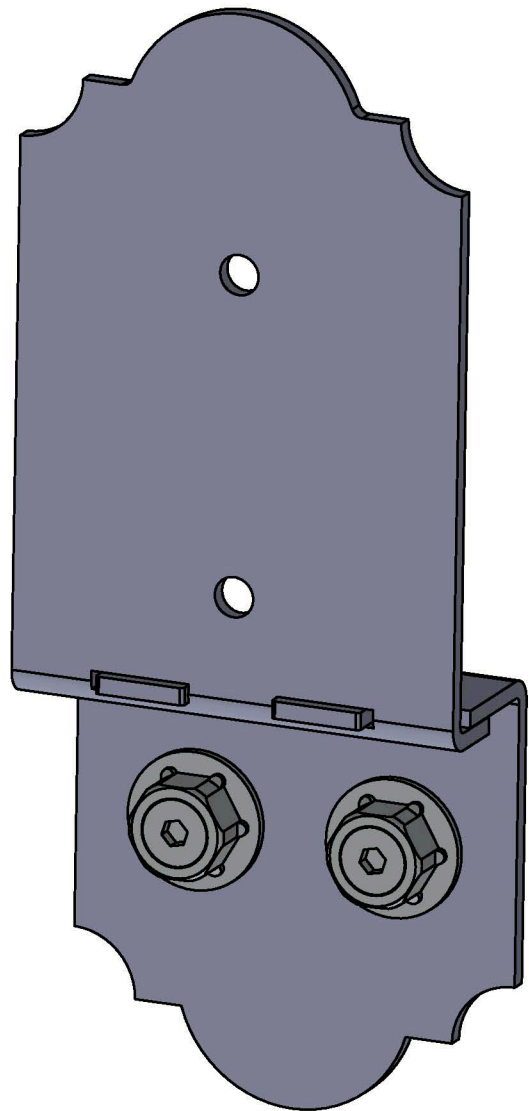
Laredo Sunset

Post To Beam - Bolt Inline Kit

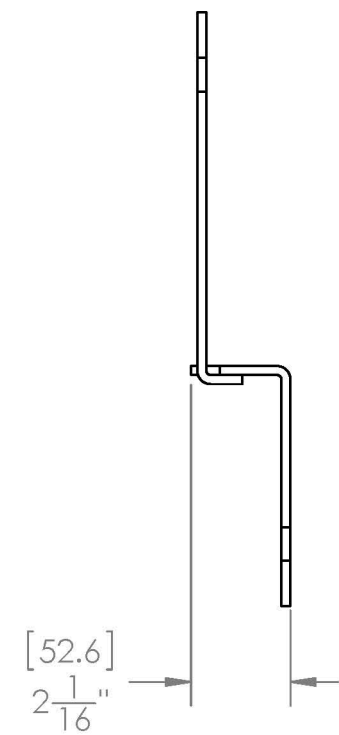
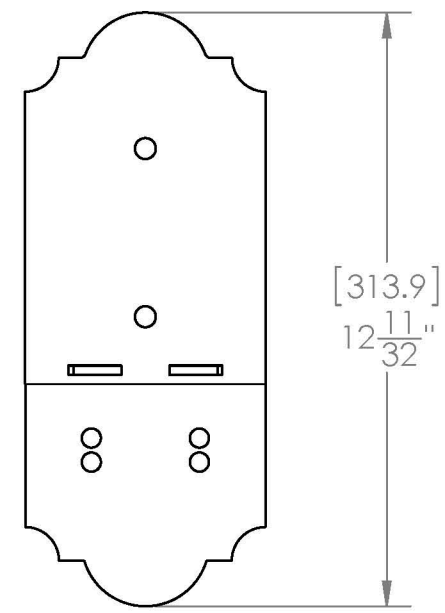
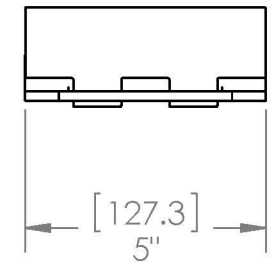
Item #: 56637 (P2B-BI-LS)

ITEM NO.	Public/QTY.	PART NUMBER	DESCRIPTION
1	2	56610-11	Post to Beam Ledge
2	2	56637-11	Plate, Top Bolt Inline
3	4	56621-10	1 1/2" Hex Cap Nut Assembly
4	4	56626-10	OWT Timber Screw 2-3/4"



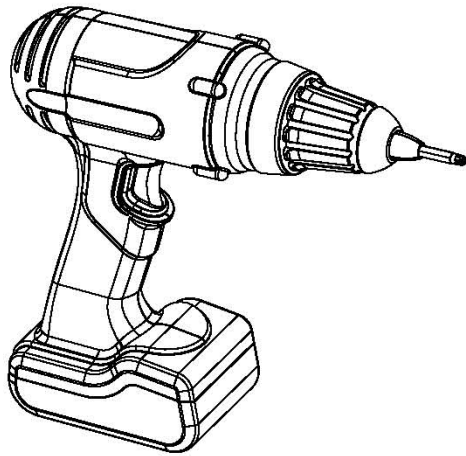


Post to Beam
Bolt Inline
#56637

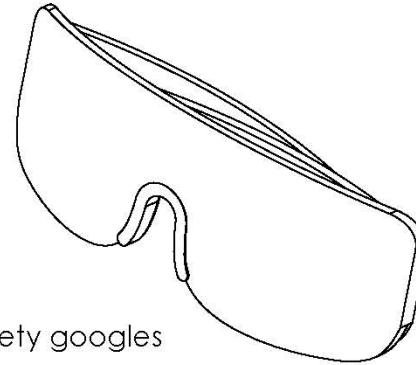


dimensions in [] are millimeters

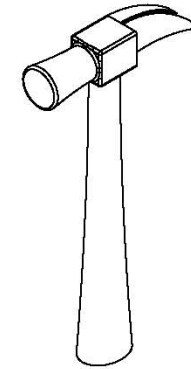
Tools Required



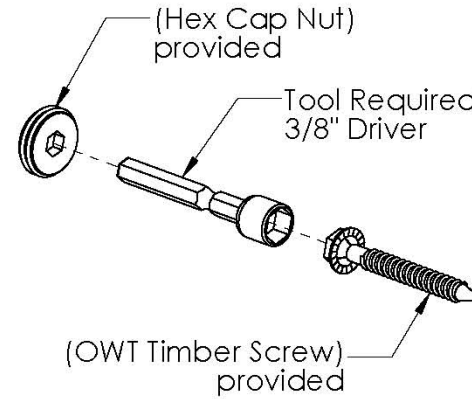
drill/driver with phillips bit



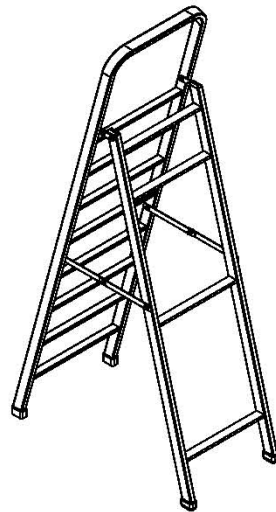
safety goggles



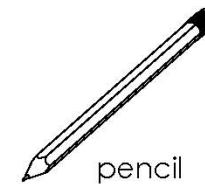
hammer



Ø3/4
auger bit

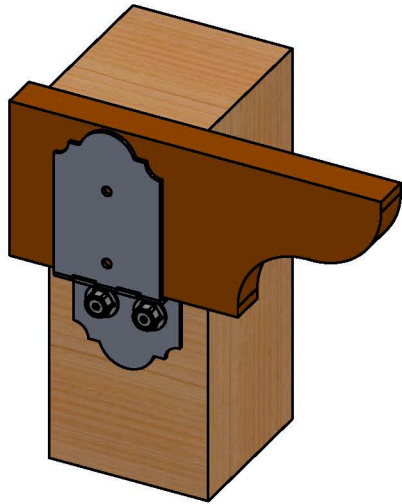


ladder

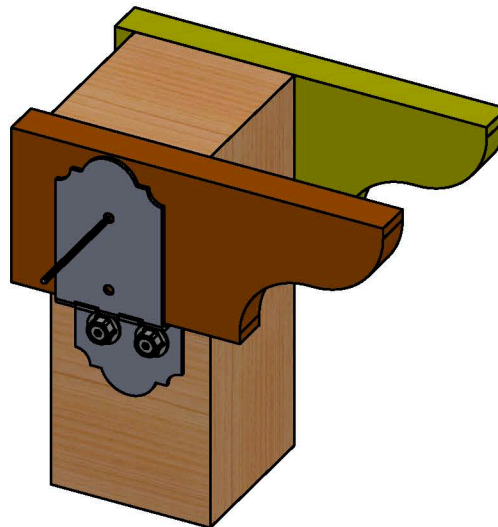


pencil

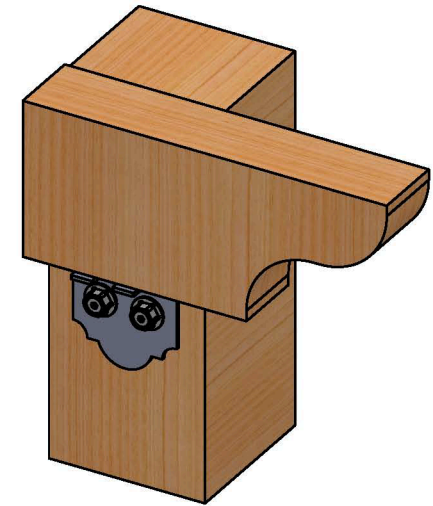
Mounting Options



One 2 x 8 Beam

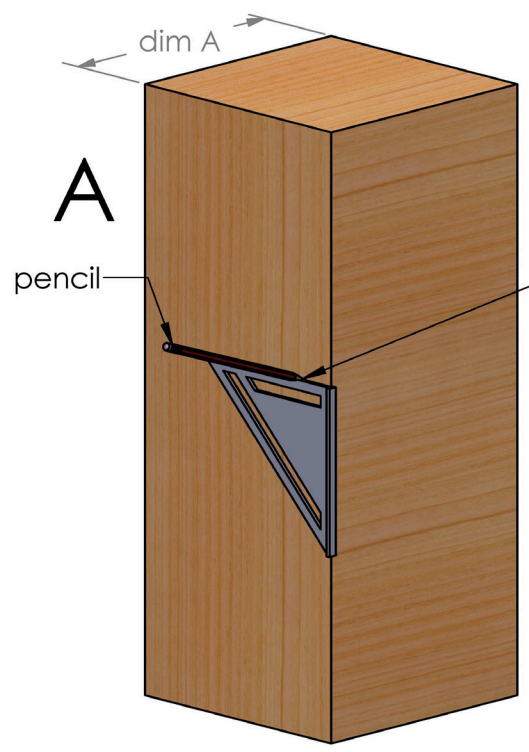


Two 2 x 8 Beams

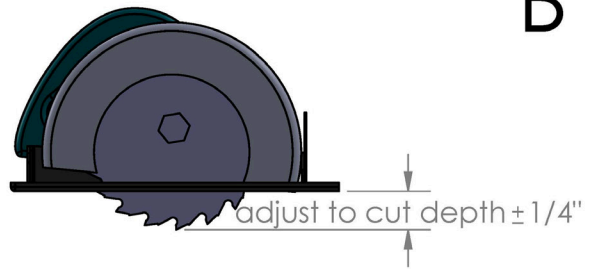
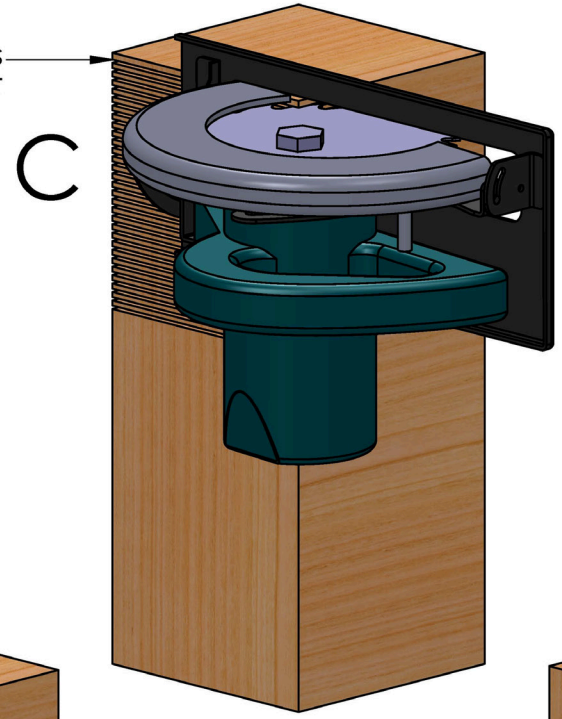


One 4 x 8 Beam
(requires dato cut to post)
proceed to step A-D

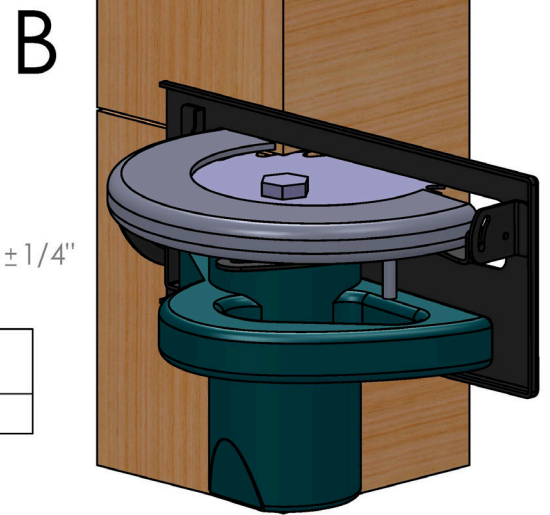
4x8 Beam only



multiple cuts
1/4" ~ apart



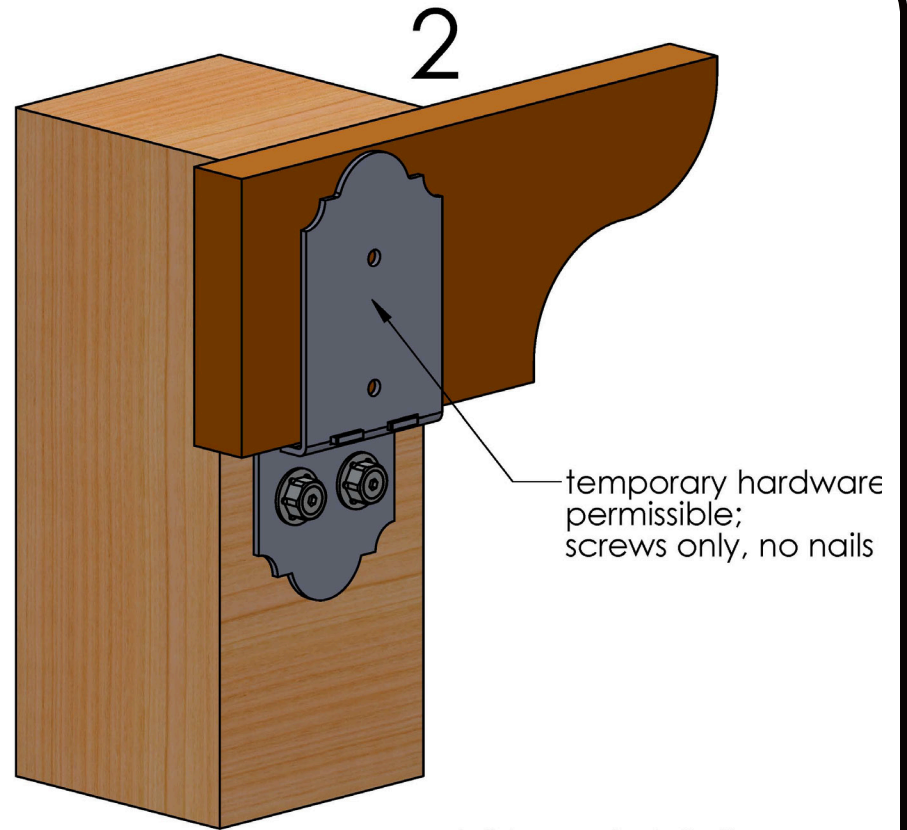
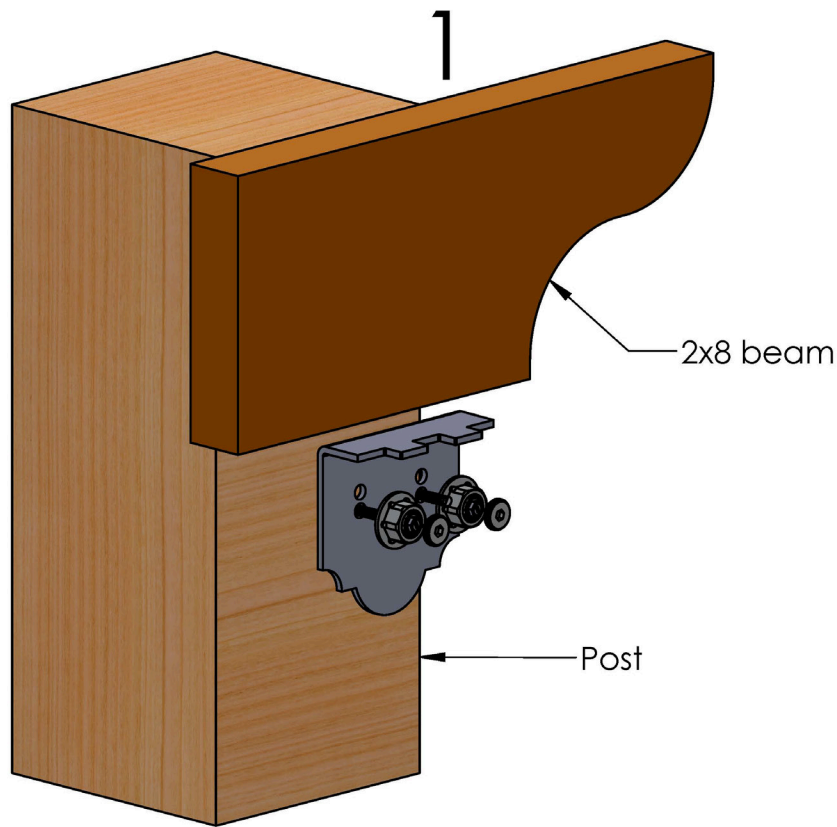
dim A	ledge	cut depth
	1.75	dim A-ledge=



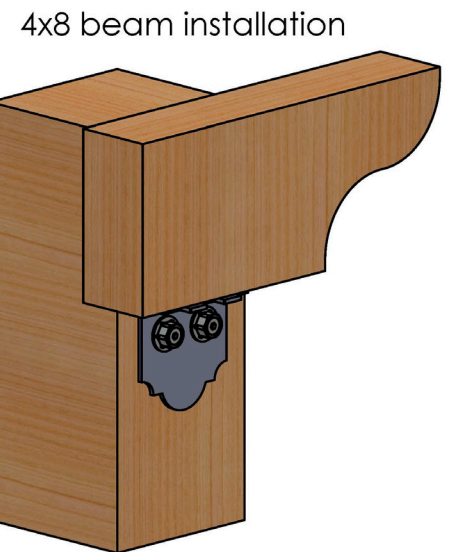
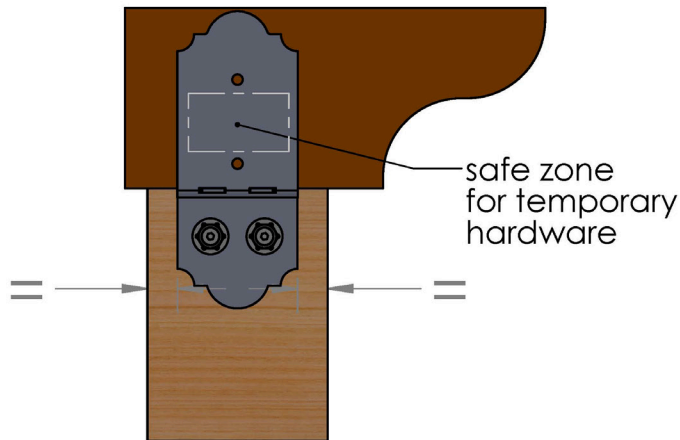
D

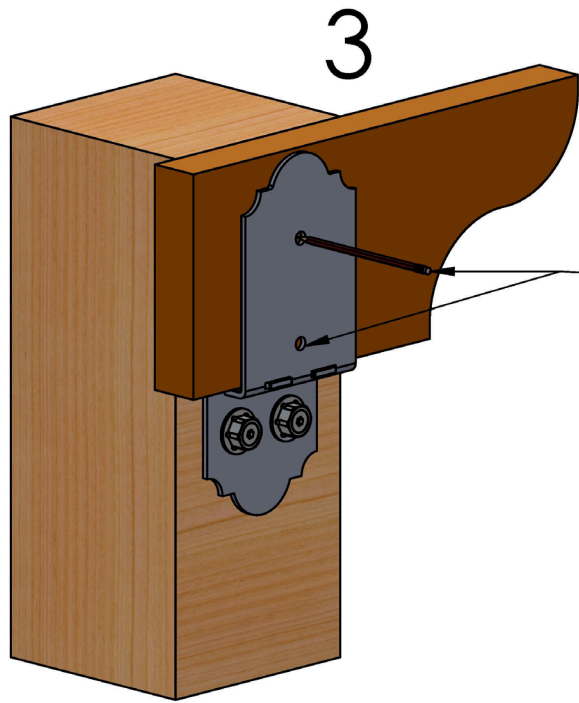


cut depth

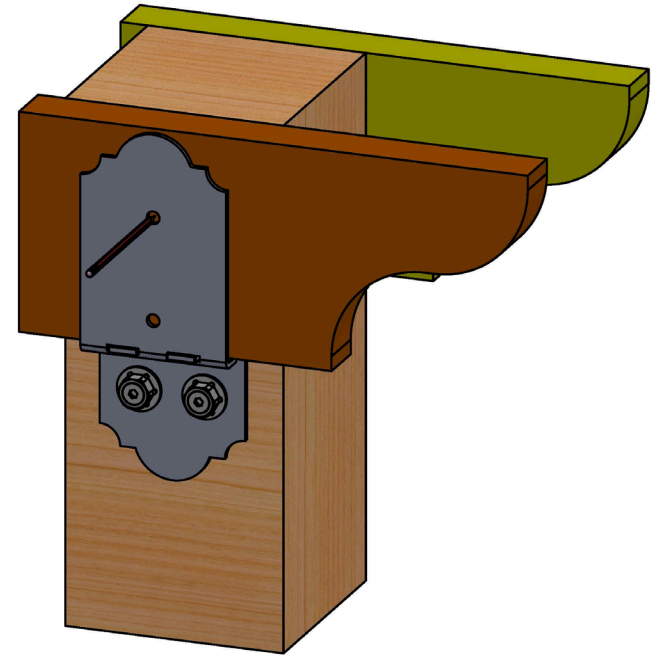


repeat steps 1 & 2 if 2 beams used



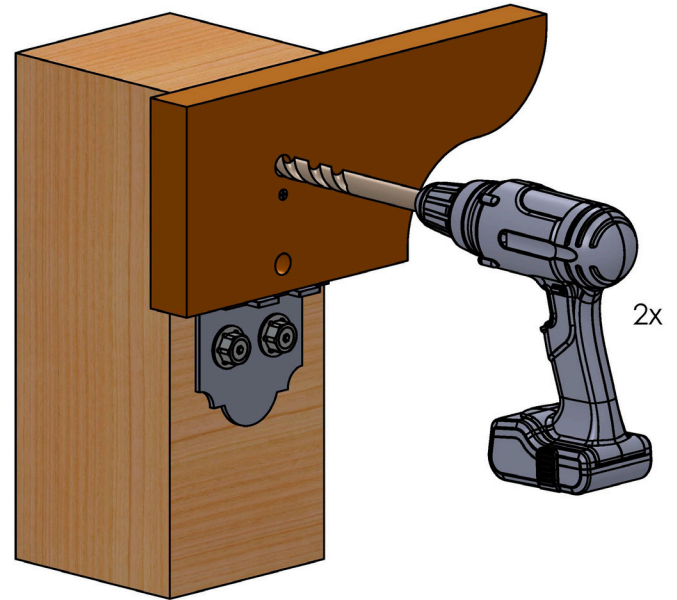
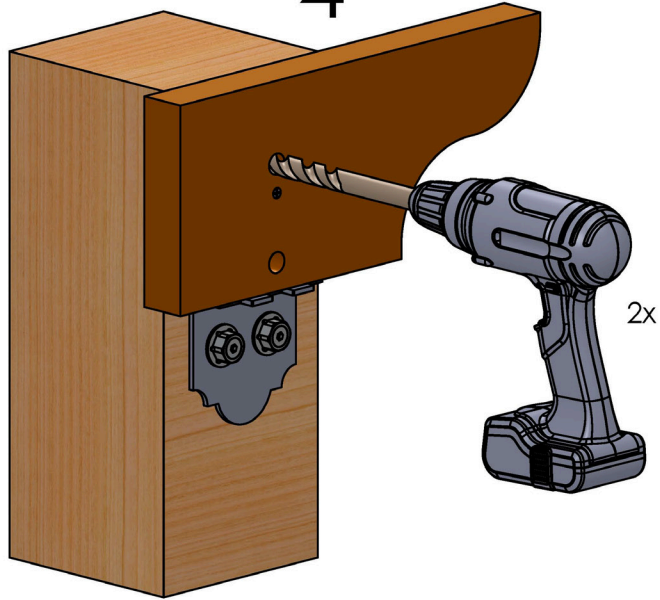


temporarily install bracket & both mark hole locations



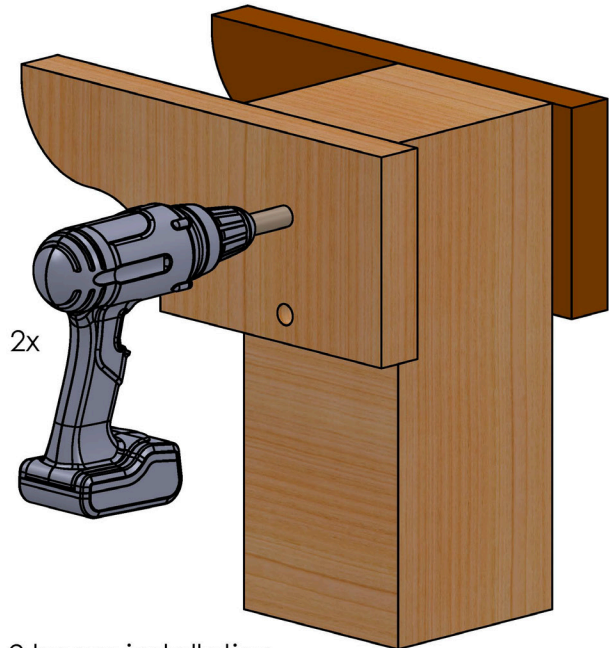
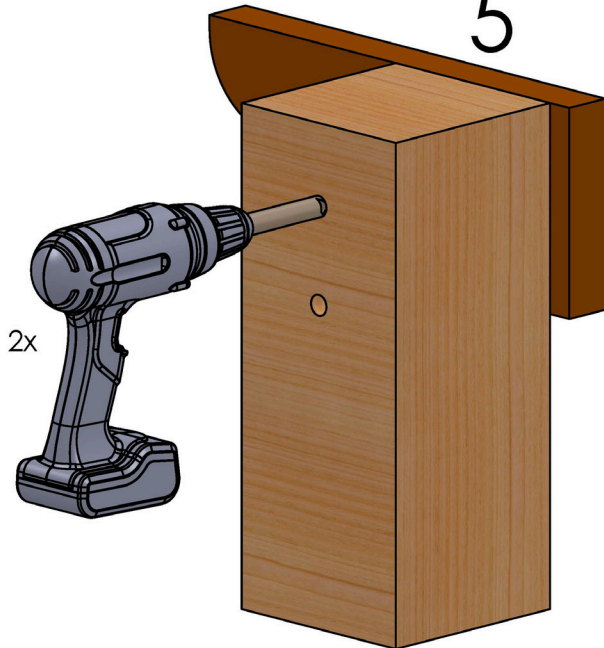
mark both sides if 2 beams used

4



Prevent Unsightly Breakouts
drill most of the way from one side
DO NOT breakout
then repeat from opposite side

5



1 beam installation

2 beam installation

