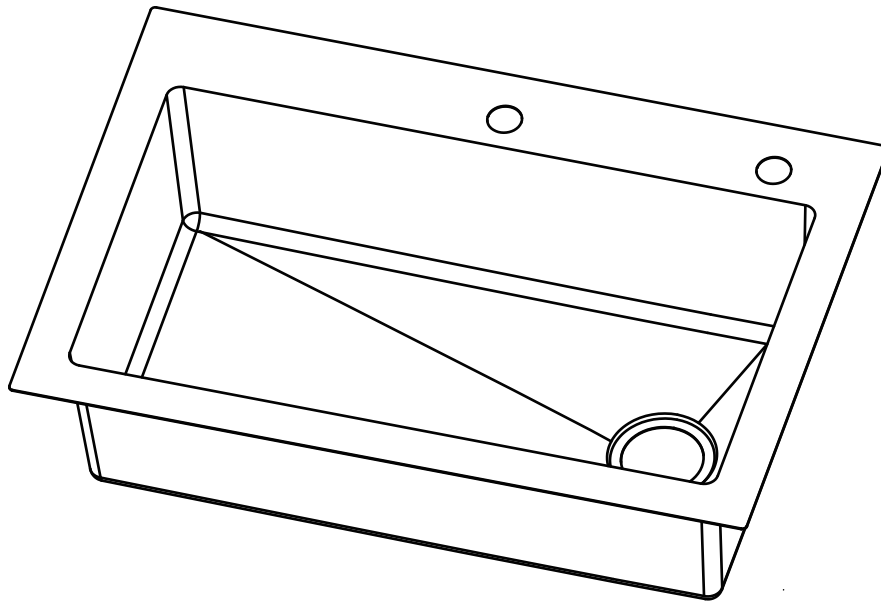


USE AND CARE GUIDE

STAINLESS STEEL KITCHEN SINK



Questions, problems, missing parts? Before returning to the store,
call Glacier Bay Customer Service
8 a.m. - 7 p.m. EST and Saturday 9 a.m. - 6 p.m.

1-855-HD-GLACIER

HOMEDEPOT.COM/GLACIERBAY

THANK YOU

We appreciate the trust and confidence you have placed in Glacier Bay through the purchase of this sink. We strive to continually create quality products designed to enhance your home. Visit us online to see our full line of products available for your home improvement needs. Thank you for choosing Glacier Bay!

Table of Contents

Table of Contents	2	Hardware Included.....	3
Safety Information	2	Package Contents	4
Warranty	2	Installation	5
Pre-Installation.....	3	Care and Cleaning.....	9
Planning Installation.....	3		
Tools Required.....	3		

Safety Information

Please carefully read this guide before installing or using this product. Store this guide in a safe place for future reference.



WARNING: Risk of personal injury. Metal surfaces are sharp and can cause severe cuts. Use gloves and handle sink edges carefully.

NOTICE: Specialized tools may be required to install the sink to countertop surfaces other than wood or wood composites.

NOTICE: The number of clips included with your sink may differ from the number of clips illustrated. Use all clips included with this sink.

NOTICE: Allow the sealant to cure following the sealant manufacturer's instructions.

Warranty

LIMITED LIFETIME WARRANTY

Glacier Bay products are manufactured with superior quality standards and workmanship and are backed by our limited lifetime warranty. Glacier Bay products are warranted to the original consumer purchaser to be free of defects in materials or workmanship. We will replace FREE OF CHARGE any product or parts that proves defective. Simply, return the product / part to any of The Home Depot retail locations or call 1-855-HDGLACIER (1-855-434-5224) to receive the replacement item. Proof of purchase (original sales receipt) from the original consumer purchaser must be made available for all Glacier Bay warranty claims.

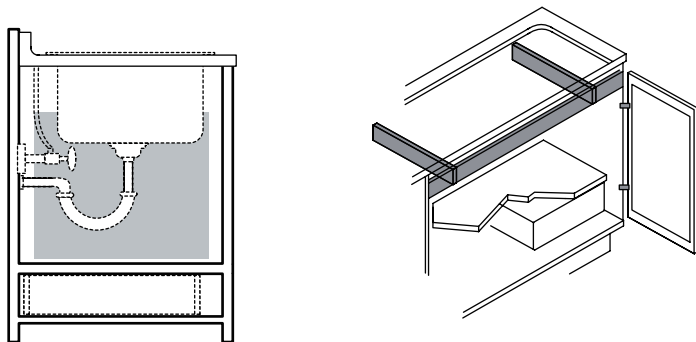
This warranty excludes incidental/inconsequential damages and failures due to misuse, abuse or normal wear and tear. This warranty excludes all industrial, commercial & business usage, whose purchasers are hereby, extended a five year limited warranty from the date of purchase, with all other terms of this warranty applying except the duration of warranty.

Some states and provinces do not allow the exclusion or limitation of incidental or consequential damages, so the above limitations may not apply to you. This warranty gives you specific legal rights and you may also have other rights that vary from state to state and province to province. Please see a store or contact 1-855-HDGLACIER for more details.


Pre-Installation

PLANNING INSTALLATION

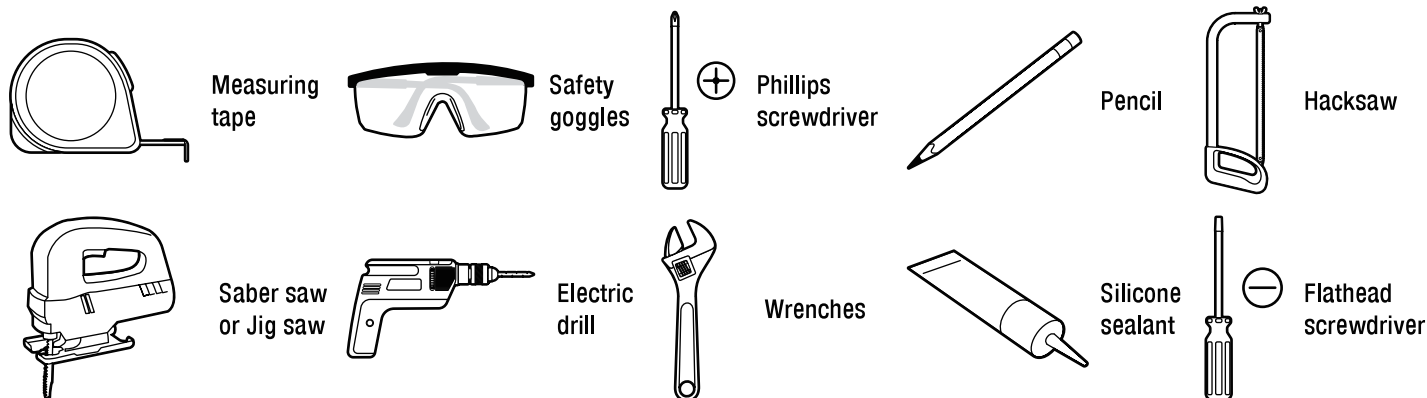
Before installation, verify the cabinet clearance:



Compare all parts with the Hardware Included and Package Contents lists in this manual. Check the surface of the sink for any flaws or damage, including dents, bends, bumps, or scuff marks. If any damage is noticed or parts are missing, do not proceed with the installation. Contact the Customer Service Team at 1-855-434-5224 or visit www.HomeDepot.com.

 **NOTE:** This sink is a topmount (from above the counter) installation.

TOOLS REQUIRED



HARDWARE INCLUDED

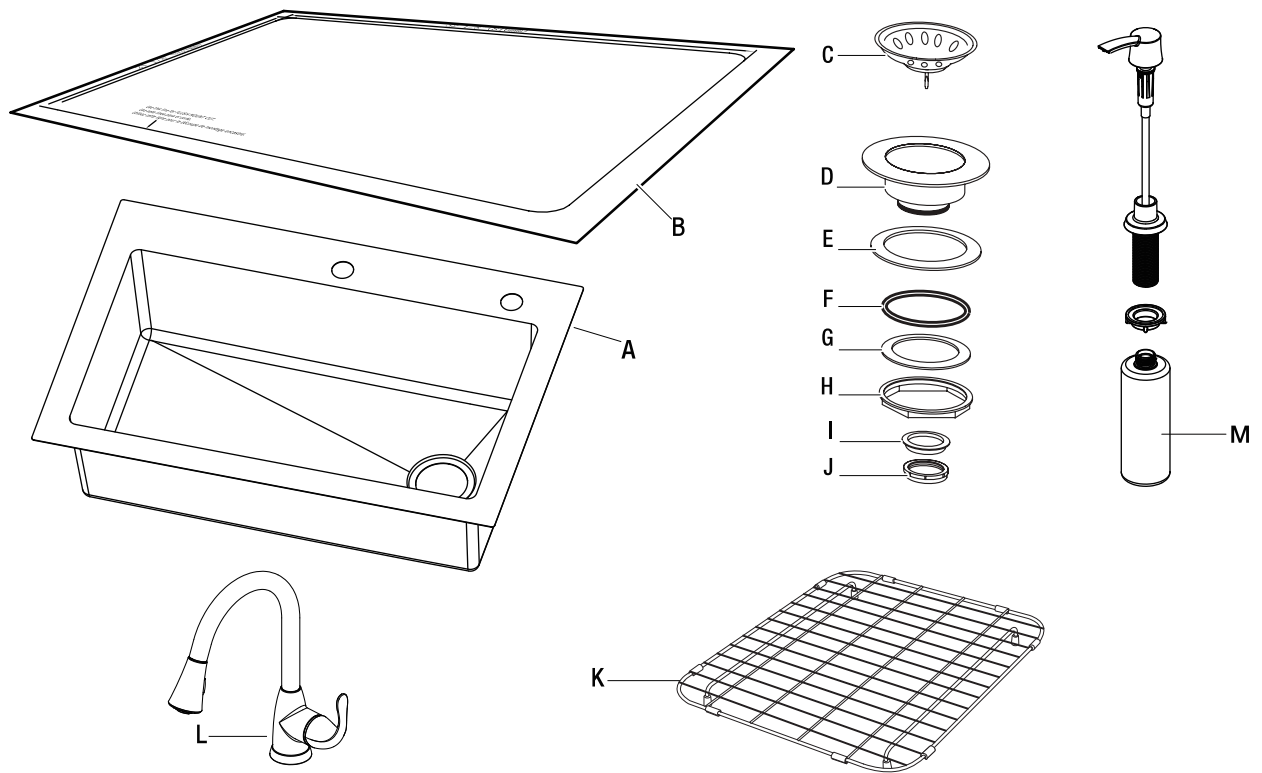
 **NOTE:** Hardware not shown to actual size.



Part	Description	Quantity
AA	Topmount clip	10
BB	Undermount clip (Not including) If you need to use as under-mount sink , please buy a similar screw (BB)	10

Pre-Installation (continued)

PACKAGE CONTENTS

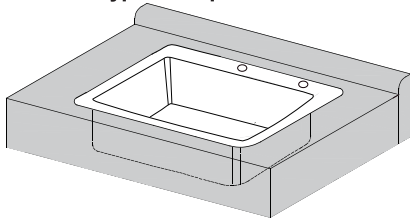


Part	Description	Quantity
A	Sink	1
B	Topmount template	1
C	Screener	1
D	Bowl	1
E	Strainer ring	1
F	Rubber washer	1
G	Paper washer	1
H	Locknut	1
I	Plastic joint	1
J	Connecting nut	1
K	Sink grid	1
L	Faucet	1
M	Dispenser	1

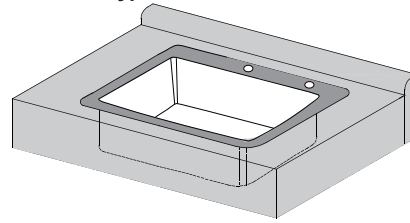
Installation types

You can choose to install this sink over your countertop (Type 1: Topmount) or under your countertop (Type 2: Undermount) according to your taste and needs.

Type 1: Topmount



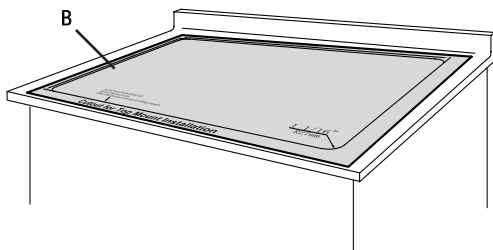
Type 2: Undermount



Installation Type 1: Topmount

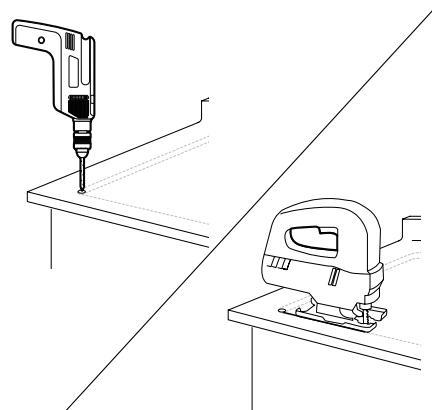
1 Preparing the countertop

- Center the template (B) on the counter so that it is parallel to the counter edge and that the installation hole will not interfere with the structure of the cabinet
- Tape the template (B) to the countertop to keep it in place and trace the cutout line on the template (B) with a pencil



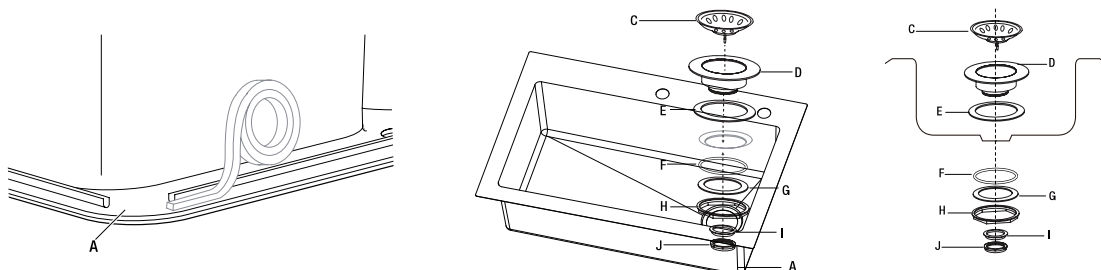
2 Cutting the installation hole

- Drill a pilot hole and cut the countertop opening. Use the appropriate cutting tool for the surface you are cutting.



3

- Place the sink (A) into the installation hole to verify the fit. Adjust the cutout if necessary.
- Place the sink (A) upside down and align the bottom edge with waterproofing strip.
- Install the strainer assembly as these steps describe. It is easier to install the strainer assembly to the sink before the sink is installed to the cabinet.
 - 1) Apply a small amount of plumber's putty (not included) in the notch around the drain hole of the sink (A). Place the strainer ring (E) on top of the drain hole in the sink (A).
 - 2) Insert the screener (C) into the bowl (D) and place this assembly into the drain hole in the sink (A).
 - 3) From underneath the sink (A), place the rubber washer (F), paper washer (G), locknut (H), plastic joint (I), and connecting nut (J) over the drain hole in the sink (A).
 - 4) Tighten the locknut (H) and connecting nut (J) to hold the strainer assembly securely in place.



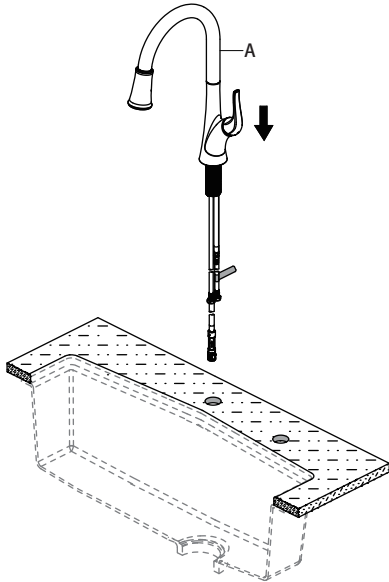
Installation (continued)

4 Installing the faucet assembly



CAUTION: Always shut off the water supply before removing an existing faucet or replacing any part of a faucet. Open the faucet handle to relieve water pressure and ensure that the water is completely shut off.

- Shut off the water supply.
- Insert the faucet body through the hole in the sink.



5 Securing the faucet assembly

- From underneath the sink, secure the faucet assembly to the sink with the FastMount™ system (B). Push the FastMount™ system (B) up over the threads until it stops against the bottom of the sink, then hand turn (clockwise) to tighten (Fig 1).

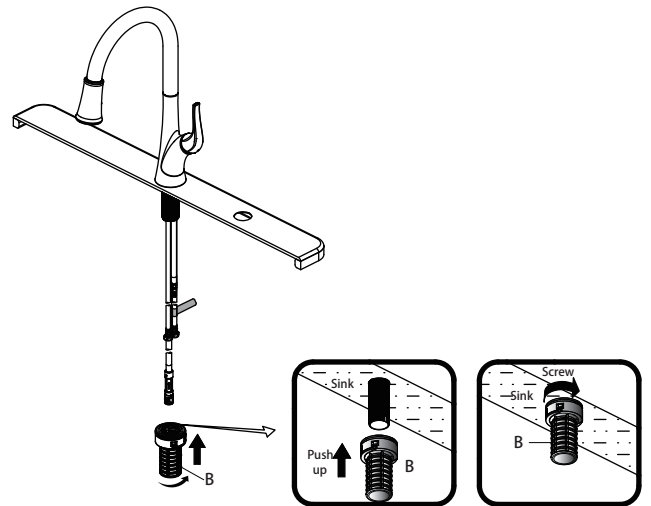
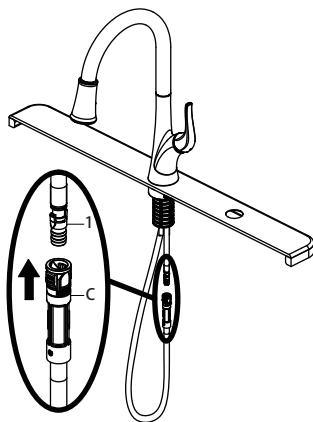


Fig 1

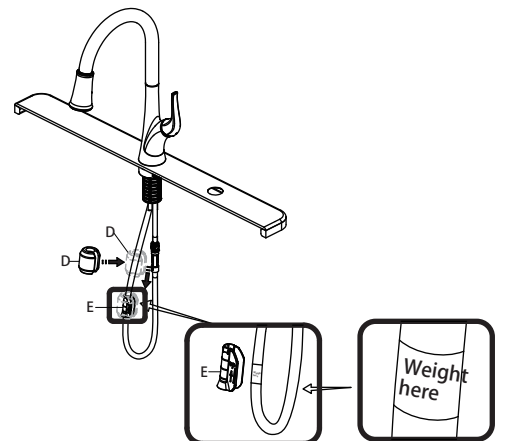
6 Attaching the quick connector to the receiving block

- Push the quick connector (C) firmly upward and attach it to the receiving block (1). Pull down moderately to ensure the connection has been made.



7 Installing the weight

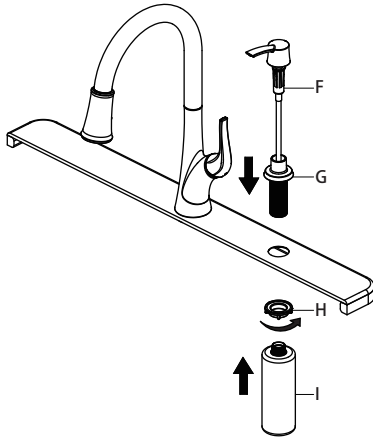
- Install the weight clip (E) at the point of the hose marking "weight here".
- Insert the weight (D) onto the clip (E) by sliding it down onto the clip (E).



Installation (continued)

8 Installing the soap dispenser

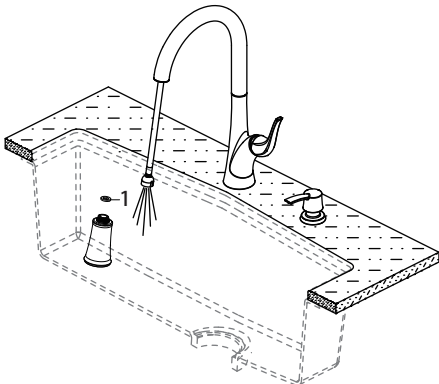
- Insert the soap assembly (G) through the selected hole in the sink. Secure the soap assembly to the sink with the soap dispenser mounting nut (H) provided.
- From under the sink, screw the soap bottle (I) onto the soap assembly (G) shank. Insert the soap pump (F) down into the soap assembly (G).



10 Flushing and checking for leaks

IMPORTANT: After installation is completed, turn on the hot and cold water supplies. Check for leaks. Do not lose the gasket (1) in the hose.

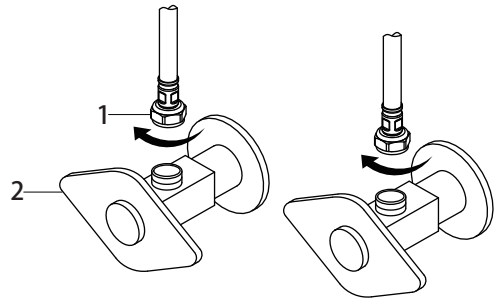
- Pull the hose assembly out of the spout and remove the spray head by unscrewing it from the hose in a counterclockwise direction. Be sure to hold the end of the hose down into the N sink and turn the faucet to the warm position where it mixes hot and cold water.
- Flush the water lines for one minute. This flushes away any debris that could cause damage to internal parts. Check for leaks.
- Re-tighten any connections if necessary, but do not overtighten. Reinstall the spray head by hand tightening it back onto the spray hose in a clockwise direction.



9 Making the water supply connections

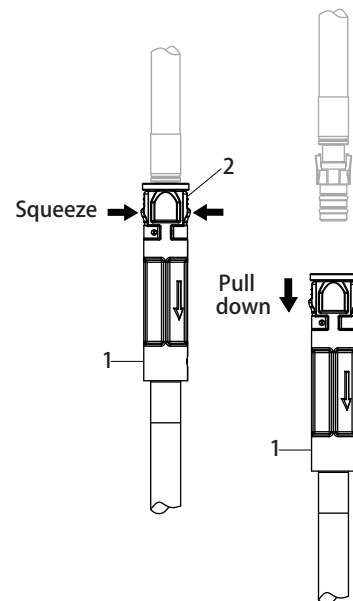
NOTE: The hot side inlet tube is indicated by a label. Avoid twisting wires together or placing the wires close to each other and damaging.

- Thread the nut (1) on the supply line onto the outlet of the water supply valve (2) and tighten with a wrench. Do not overtighten.



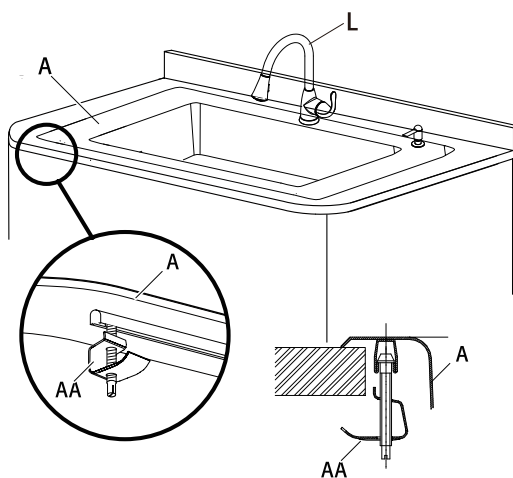
11 Removing the quick connector

- If it is necessary to remove the quick connector (1), squeeze the tabs (2) on the quick connector and then pull down to disconnect.



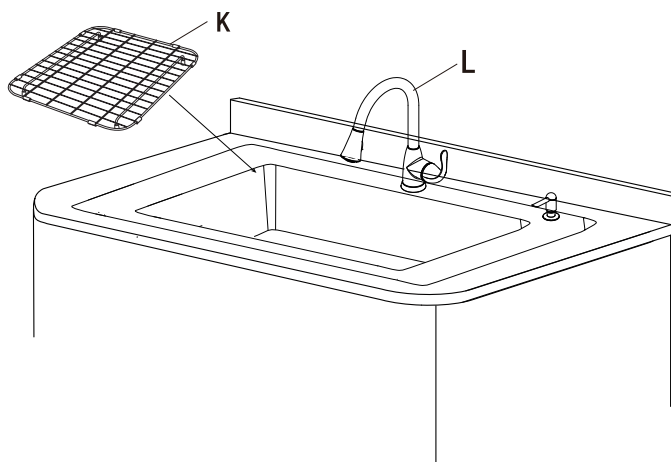
12 Installing the sink

- Apply silicone sealant (not included) around the underside and lip of the sink (A).
- Carefully lower the sink (A) into the counter.
- Attach the mounting clips (AA).
- Tighten the screws on the top mount clips (AA) evenly until the sink (A) is flush with the counter. Do not over-tighten.
- Wipe excess sealant with a rag.



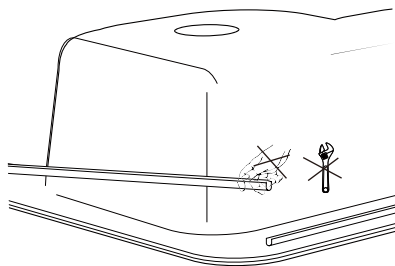
13 Installing the grid

- When finished, place the sink grid (K) into the sink.



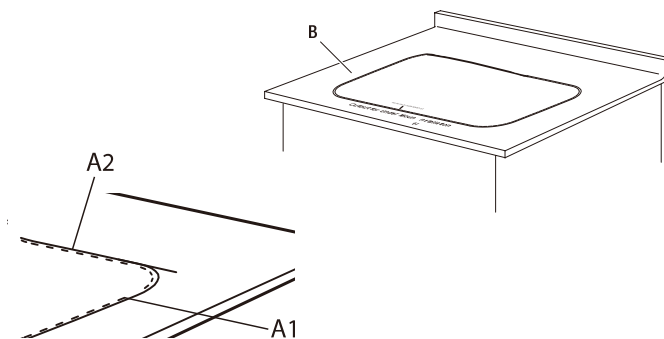
Installation Type 2: Undermount

WARNING When you choose undermount style installation, please do not pull out the installation rail shown as below picture; because the sink surface would be non repairable damaged after rail pull out. Recommend you could have the professional plumber or countertop or cabinet seller to install the sink by undermount style.



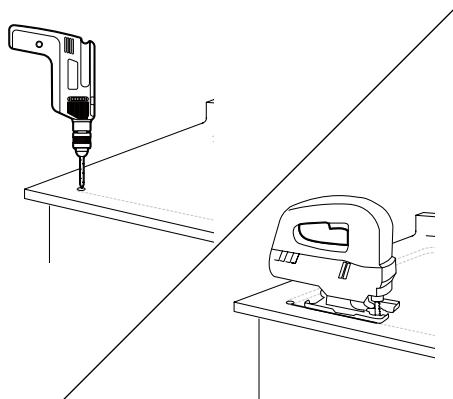
1 Preparing the counter top

- Check the template (A) and select the cutline you want: line A1 is bowl size; line A1 is 1/2 in wider than bowl size. If you choose line B, please tear off the template through the broken line. Place the template (B) on the countertop. Ensure the template is centered on the counter so that it is parallel to the counter edge and that the installation hole will not
- interfere with the structure of the cabinet. Tape the template (B) to the countertop to keep it in place and trace the cutout line on the template (B) with a pencil.



2 Cutting the installation hole

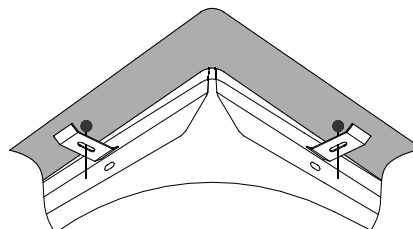
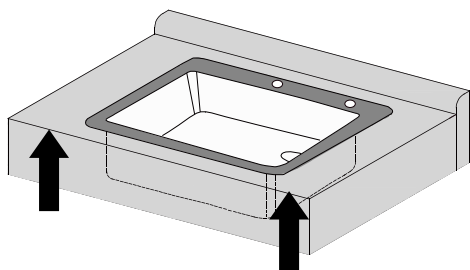
- Drill a pilot hole and cut the countertop opening. Use the appropriate cutting tool for the surface you are cutting.



Installation Type 2 (continued)

3 Preparing the sink

- Place the sink underneath the countertop cutout; and check if the cutout is fit for the sink; adjust the cutout if necessary. Place a stand under the sink to facilitate installation and avoid dropping.
- Place the mounting clips as shown in the attached template and mark the centers of the clip on the countertop.

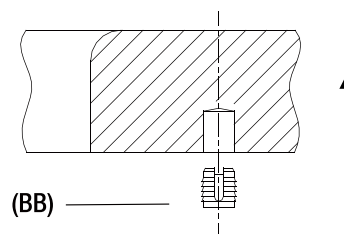
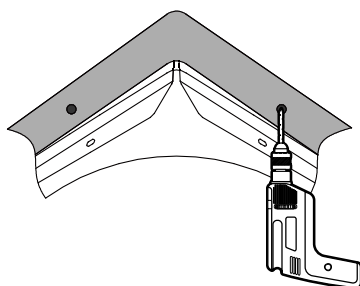


4 Preparing the accessories

- Please refer to step 3 to 8 on page 6 to 7. It is easier to install items before the sink installed in cabinet.

5 Attaching the mounting clips

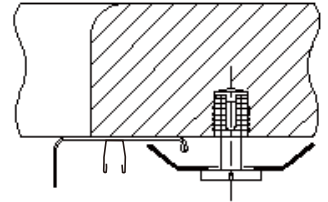
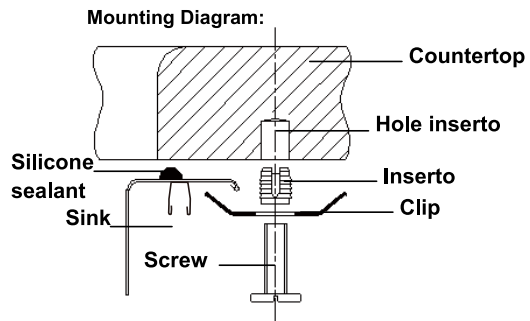
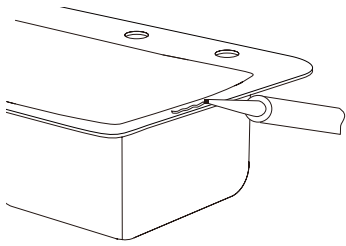
- Drill mounting holes in the clip center mark from the previous step.
- Insert the inserts (BB) in the holes so they are completely inside the hole. If necessary, gently tap the insert.



6 Installing the sink

- Apply a bead of silicone around the perimeter of the top of the sink.
- Position and align the hollow beneath the sink countertop. Once the sink is in the correct position, install the mounting clip. Tighten the mounting clip until the sink rim is aligned to the countertop. Check the alignment while squeezing, so that the front of the sink (A) is parallel to the countertop. Adjust and retighten if necessary. Do not over tighten. Clean the excess sealant with a rag.

Installation Type 2 (continued)

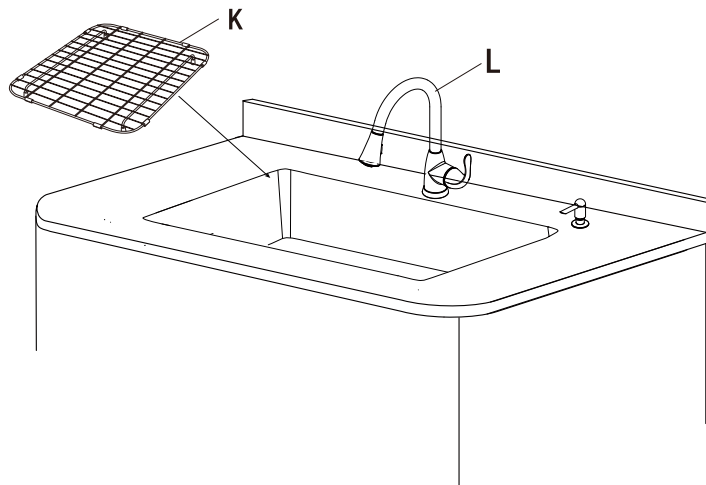


7 Installing the faucet

- Please refer to step 10 to 12 on page 8.

8 Installing the grid

- When finished, place the sink grid (K) into the sink.



Care and Cleaning

- Daily, regular cleaning to remove dirt and prevent staining is recommended. Use liquid dish detergent, water and a soft household sponge.
- Mild, non-abrasive cleaners can be used with a nylon scrub pad. To ensure a uniform appearance in a stainless steel sink surface, rinse with water and wipe down the sink with a soft, dry cloth. Drying the sink will prevent water spots caused by time in the water.
- Remove stubborn stains from lime or calcium deposits by pouring a little warm vinegar or vinegar-based cleaner into the sink and allow it to sit for a few minutes. Rinse with clean water and dry.
- Scratches are inevitable during your usage over time. Use a nylon pad with an iron free abrasive polishing compound. Follow the original polish lines to blend out the scratch in a small area. Be careful not to overdo as aggressive scrubbing will result in a bright spot.
- DO NOT use strong abrasive cleaners, metal scrub pads, or steel wool. These will scratch the surface.
- DO NOT leave rubber mats or sponges inside the sink. Water trapped below could lead to stains.
- DO NOT let food with a high salt content sit inside the sink for prolonged periods of time.
- DO NOT allow chlorine bleach to sit inside a stainless steel sink for more than 1 hour.
- DO NOT allow drain cleaners to come into contact with the sink surface.
- DO NOT pour paint in your sink. The chemicals in acrylic paint will react with sinks if allowed to sit over 24 hours and will produce permanent marks. For latex based paints, remove any residue immediately using a paint remover manufactured by the same brand. Consult the paint remover recommendations before using on the sink. For all sinks, we also recommend nail polish remover, rubbing alcohol or an acetone based paint remover to eliminate paint residue.
- Rust spots – Stainless steel does not rust. Rust stains are the result of iron particles introduced by water, cookware, and steel wool pads that react with water to create rust. Metal cleaners will remove rust spots.
- Food stains – Depending on the severity of the stain, use a bleach and water solution or pour the bleach onto a cloth and cover the stain. Allow the bleach to sit for at least 1/2 hour and then clean with dish detergent and water.

