



shown in Brushed Stainless

*COASTAL WET LOCATION*   
100% 316 MARINE GRADE STAINLESS STEEL



# Donaire

*Designed in 2015*

With teardrop motor housing, the 52" Donaire 316 marine grade stainless steel coastal wet location ceiling fan is transitional in design. Donaire is finished in brushed bronze or brushed stainless, equipped with ABS blades and 16W LED dimmable light kit with optional metal cover. Constructed of entirely 316 marine grade stainless steel, the Donaire carries a limited lifetime warranty.



shown in Brushed Bronze



shown in Brushed Bronze  
with optional metal cover



shown in Brushed Stainless  
with optional metal cover

## SKU NAMING CONVENTION

SKU#	<b>DA-XX</b> (Model+Finish)
Finishes	Brushed Bronze - <b>BB</b> Brushed Stainless - <b>BS</b>

## STANDARD EQUIPMENT

One downrod of 10 inches / 13 cm
Vaulted ceiling canopy for up to 29°
Light cover

## ACCESSORY

3-speed RF remote control in black



Decora-style, 3-speed, Lutron SFSQ-LF non-dimmable wall control



## CEILING HEIGHT / DOWNROD TABLE

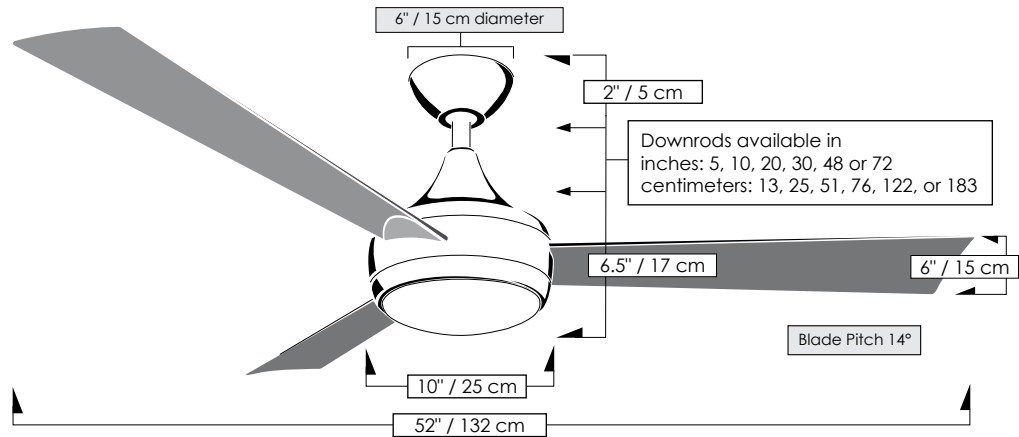
Ceiling Height	Downrod Lengths <i>Field cuttable. Non-threaded</i>
10 ft or less	5 inches / 13 cm
10 -12 feet	10 inches / 25 cm
13 feet	20 inches / 51 cm
14 feet	30 inches / 76 cm
15 feet	48 inches / 122 cm
16 feet +	72 inches / 183 cm

## CEILING PITCH TABLE

0/12	0 degrees
1/12	4.76 degrees
2/12	9.46 degrees
3/12	14.04 degrees
4/12	18.43 degrees
5/12	22.62 degrees
6/12	26.57 degrees
7/12	30.26 degrees
8/12	33.69 degrees
9/12	36.87 degrees
10/12	39.81 degrees
11/12	42.51 degrees

# Donaire

## TECHNICAL SPECIFICATIONS



## FAN SPECIFICATIONS

Fan Diameter	52 inches / 132 cm
Overall Drop	8.5 inches / 22 cm + downrod length
Fan Weight	29 lbs
Voltage	110 (Please contact us for 220 conversion)
Motor Type	AC
Downrods Lengths <i>Field cuttable. Non-threaded</i>	inches: 5, 10, 20, 30, 48, 72 centimeters: 13, 25, 51, 76, 122, 183
Downrod Diameter	1 inch
Remote Control	Hand-held & wall-mountable 3-speed
Wall Control	Lutron decora-style wall control: SFSQ-LF
Environment	Coastal Wet Locations
Ambience	Silent
Safety Certification	UL / CUL
Warranty	Limited Lifetime

## MOTOR EFFICIENCY DATA AT HIGH SPEEDS

RPM	172
CFM	6012.55
Watts	58.62
CFM/Watt	102.57
Blade Pitch	14°

## LIGHT KIT PHOTOMETRICS

Lamping (Replaceable)	Remote Dimmable	Temperature	Delivered Lumens	CRI	Watts	Hours
Integrated LED	Yes	3017 K	725	90	16	60,000

### Matthews Fan Company

1881 Industrial Drive  
Libertyville, IL 60048  
Tele: 847.680.9043  
Fax: 847.680.8140

www.matthewsfanco.com

© 2017 Matthews Fan Company. All rights reserved.

