

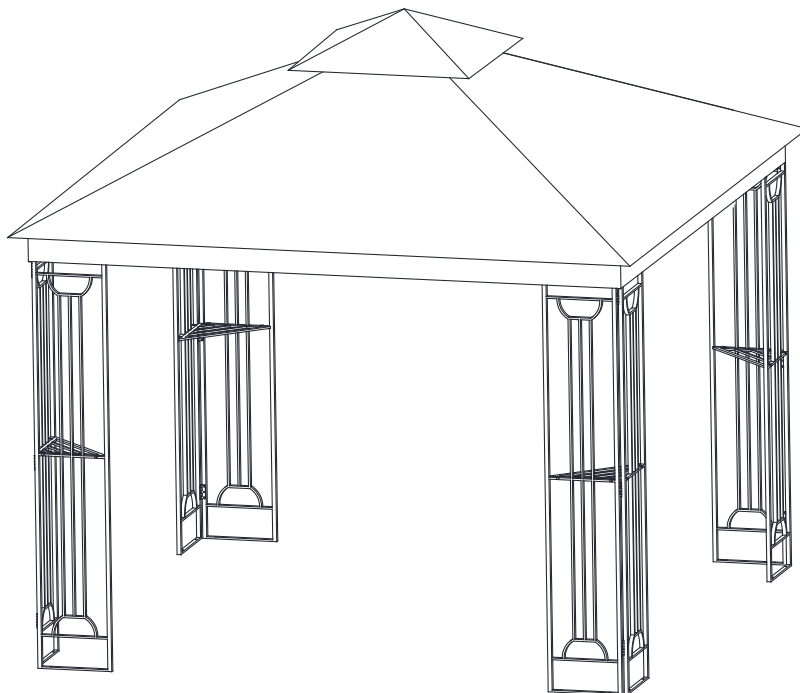
Assembly Instructions

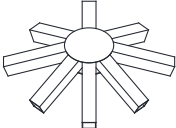





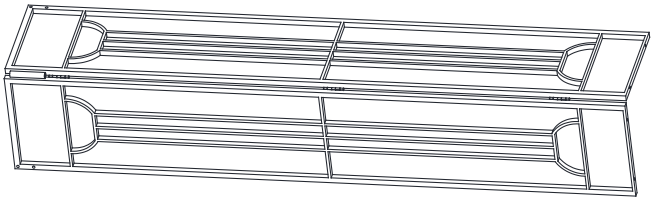
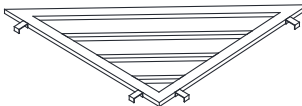
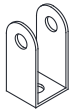

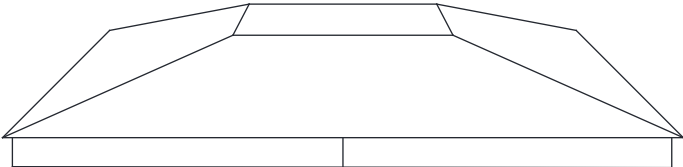
Caution: Please read this before you proceed with assembly.

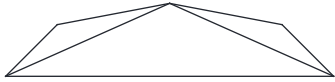


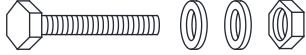




Read all instructions before assembling and using this product

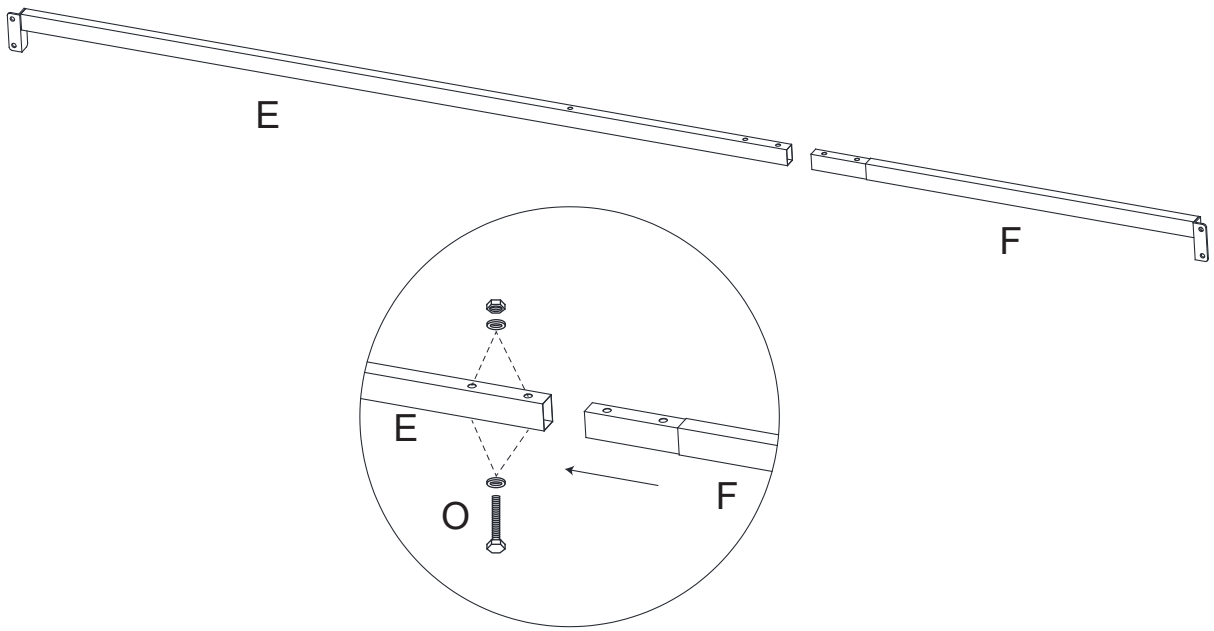
1. Select ideal location. Set out all parts on a clear and level surface prior to assembly. Ideally, the Gazebo should be set up in the desired location to avoid moving it after assembly.
2. Team Work. We recommend 3 adults and it may require 1 hour to fully assemble the Gazebo. If possible, please use safety ladders.
3. Use caution during the entire assembly process, especially when lifting large and heavy items. Also, use all safety precautions when using ladders. Keep children away from the assembly area.
4. Check all available parts. Before assembling the gazebo, check to make sure you have all the parts listed in the Parts List.
5. Important! Before attaching the canopy, make sure ALL BOLTS are tightened securely.
6. During assembly keep children away from the work area and the parts and tools. Once assembled, do not allow children to climb on the gazebo.
7. It is recommended that the Canopy, Sidewalls and Mosquito Netting be removed during strong winds and stormy conditions.
8. Do not set this gazebo up near electric lines, trees or slanted roofs. Use safety precautions at all times.

Gazebo

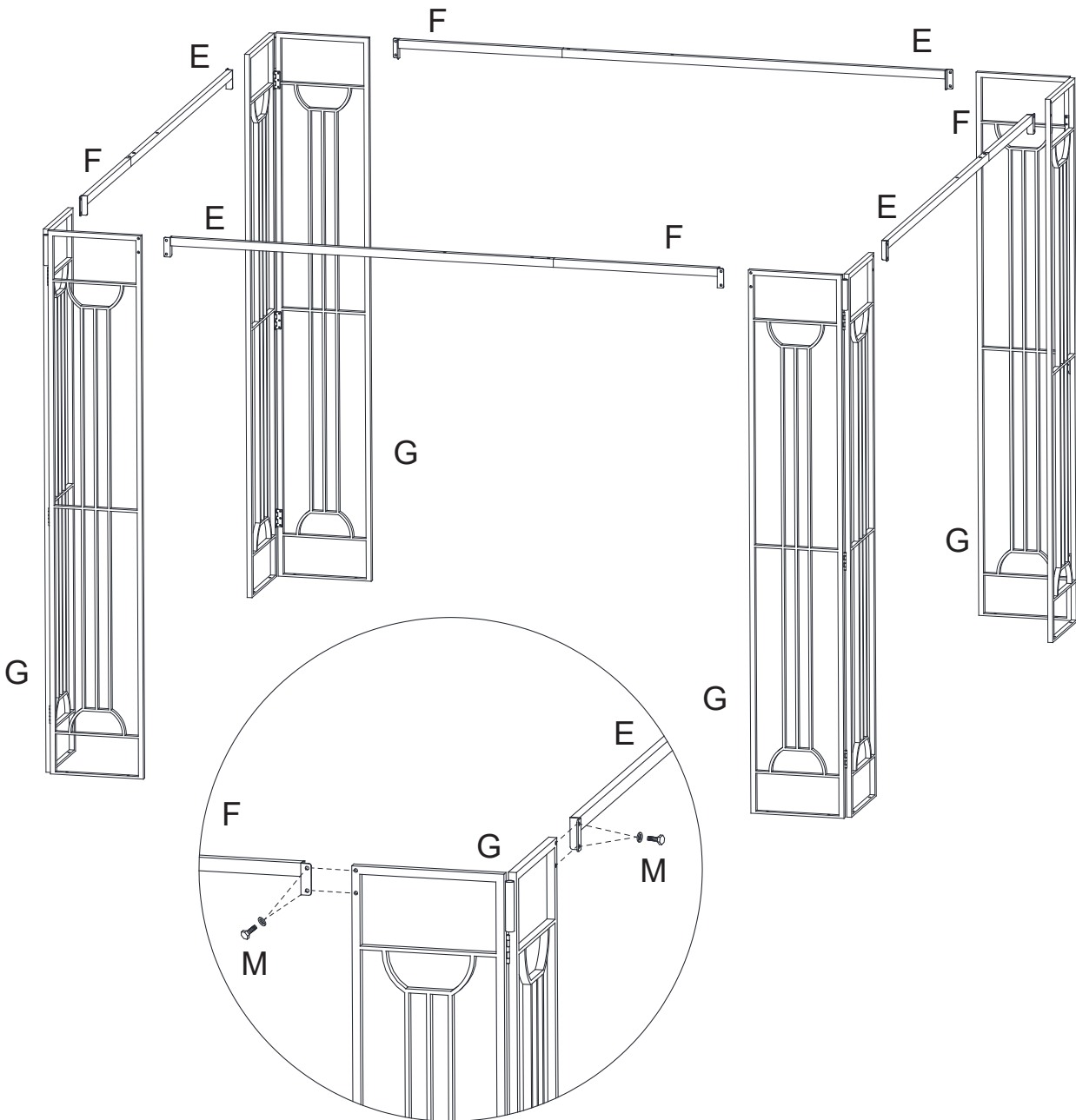


ITEM	DESCRIPTION	QTY.	ILLUSTRATION
A	Center Connector	1	
B	Long Top Bar Tube	4	
C	Long Support Connecting Tube	4	
D	Short Top Bar Tube	4	
E	Long Cross Beam	4	
F	Short Cross Beam	4	
G	Door Screen	4	
H	Triangle Panel	4	
I	U-Shaped Connector	4	
J	Hook	1	
K	Big Canopy	1	

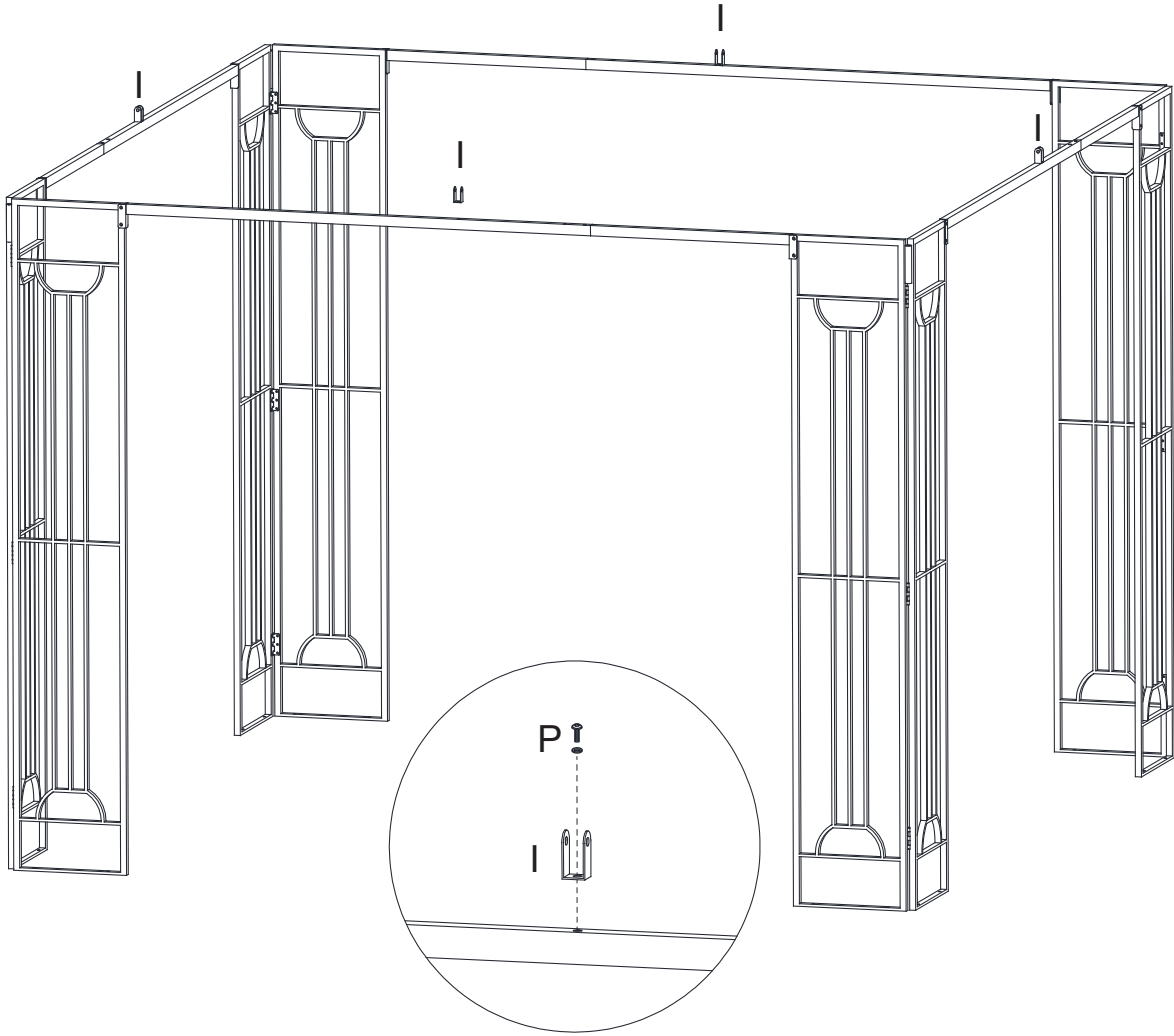
ITEM	DESCRIPTION	QTY.	ILLUSTRATION
L	Small Canopy	1	
M	Bolt \Flat Washer M6*15mm	16	
N	Bolt \Flat Washer\ Nut M6*32mm	4	
O	Bolt \Flat Washer\ Nut M6*40mm	8	
P	Bolt \Flat Washer M6*15mm	4	
Q	Wrench	2	
R	Stake	16	
S	Allen Wrench	1	



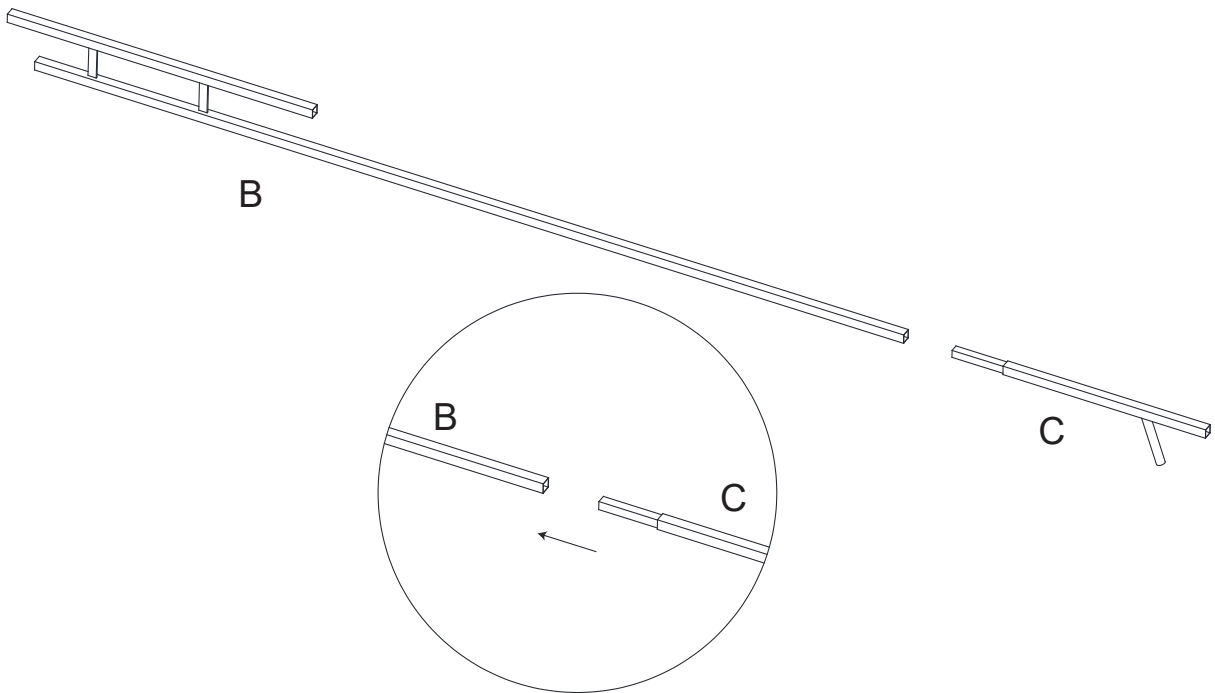
1. Insert Short Cross Beam (F) into Long Cross Beam (E) fasten tightly with Screw (O) ;



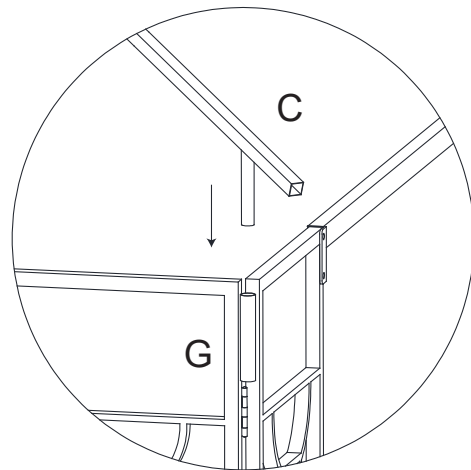
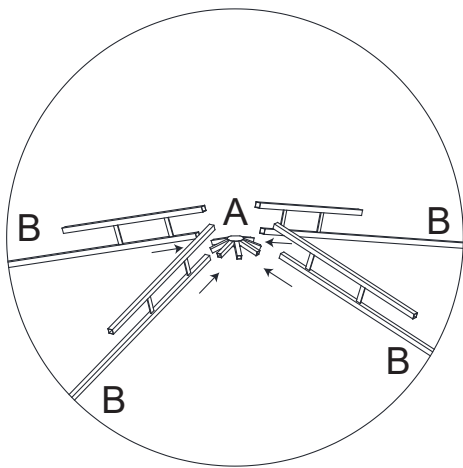
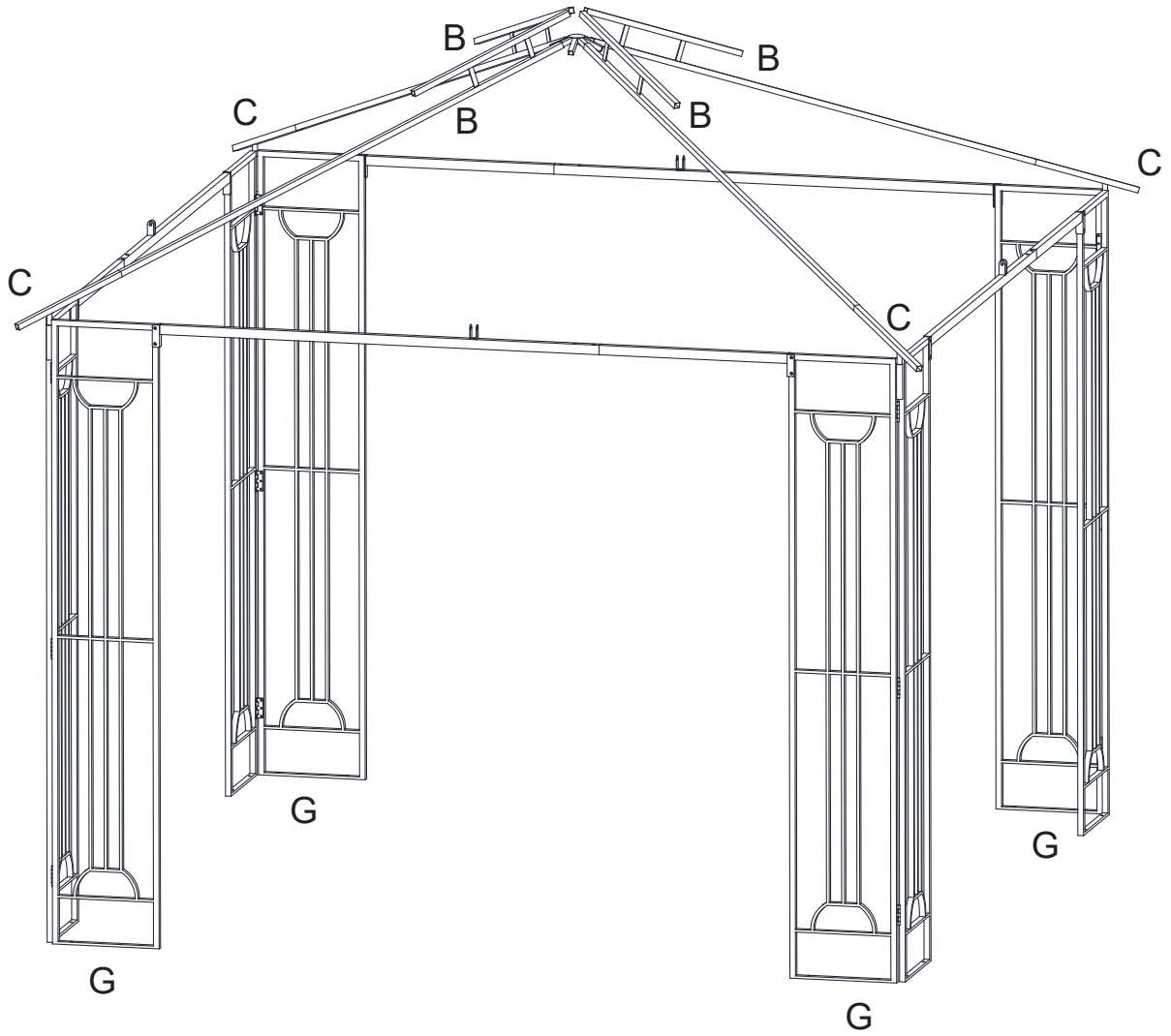
2. Fix the Well connected Short Cross Beam (F) and Long Cross Beam (E) with Screw (M) and Door Screen (G) ;



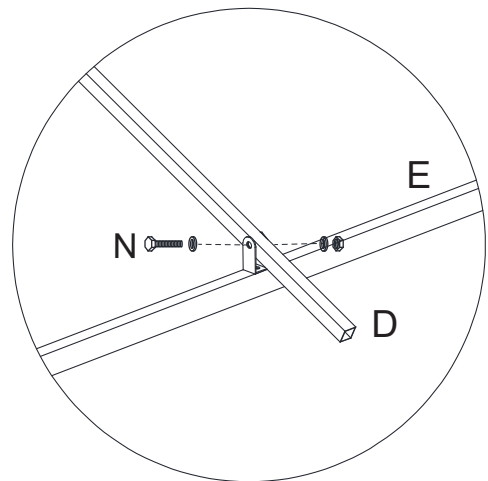
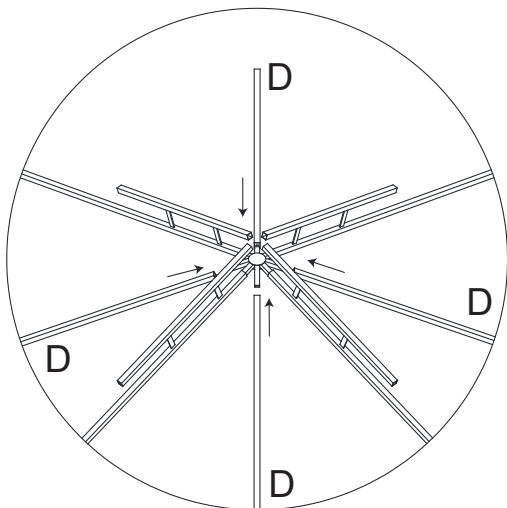
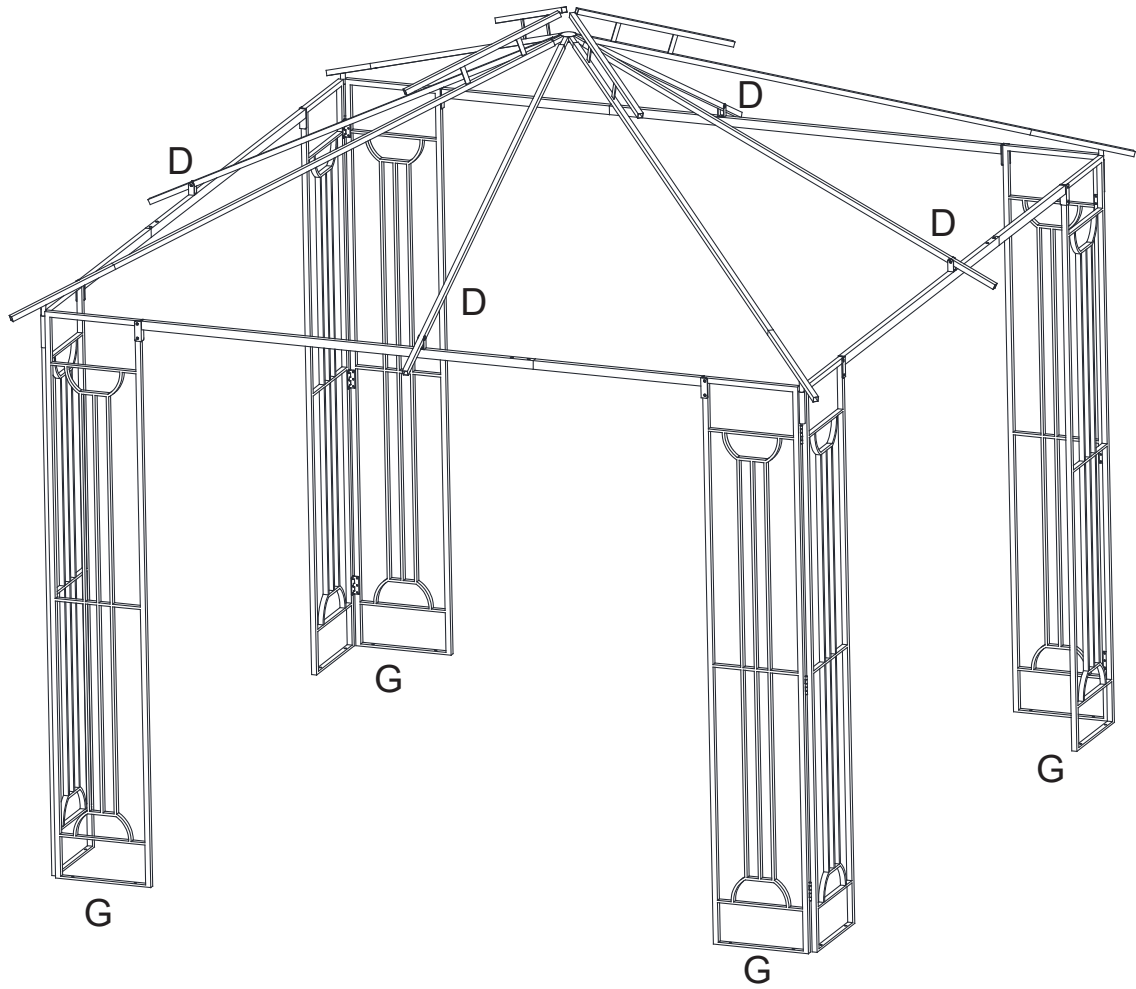
3. Fix U Shaped Connector (I) with Cross Beam (F)with Screw (P) ;



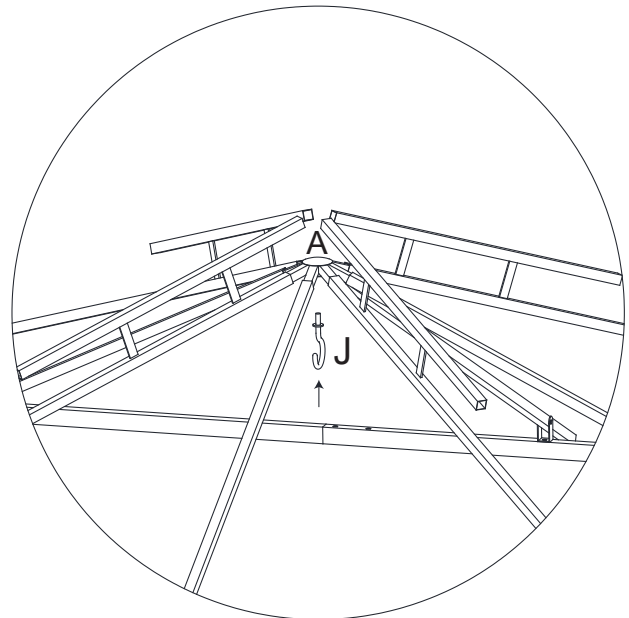
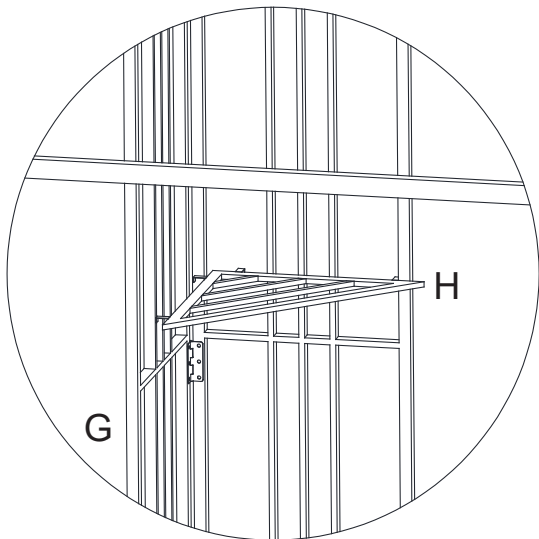
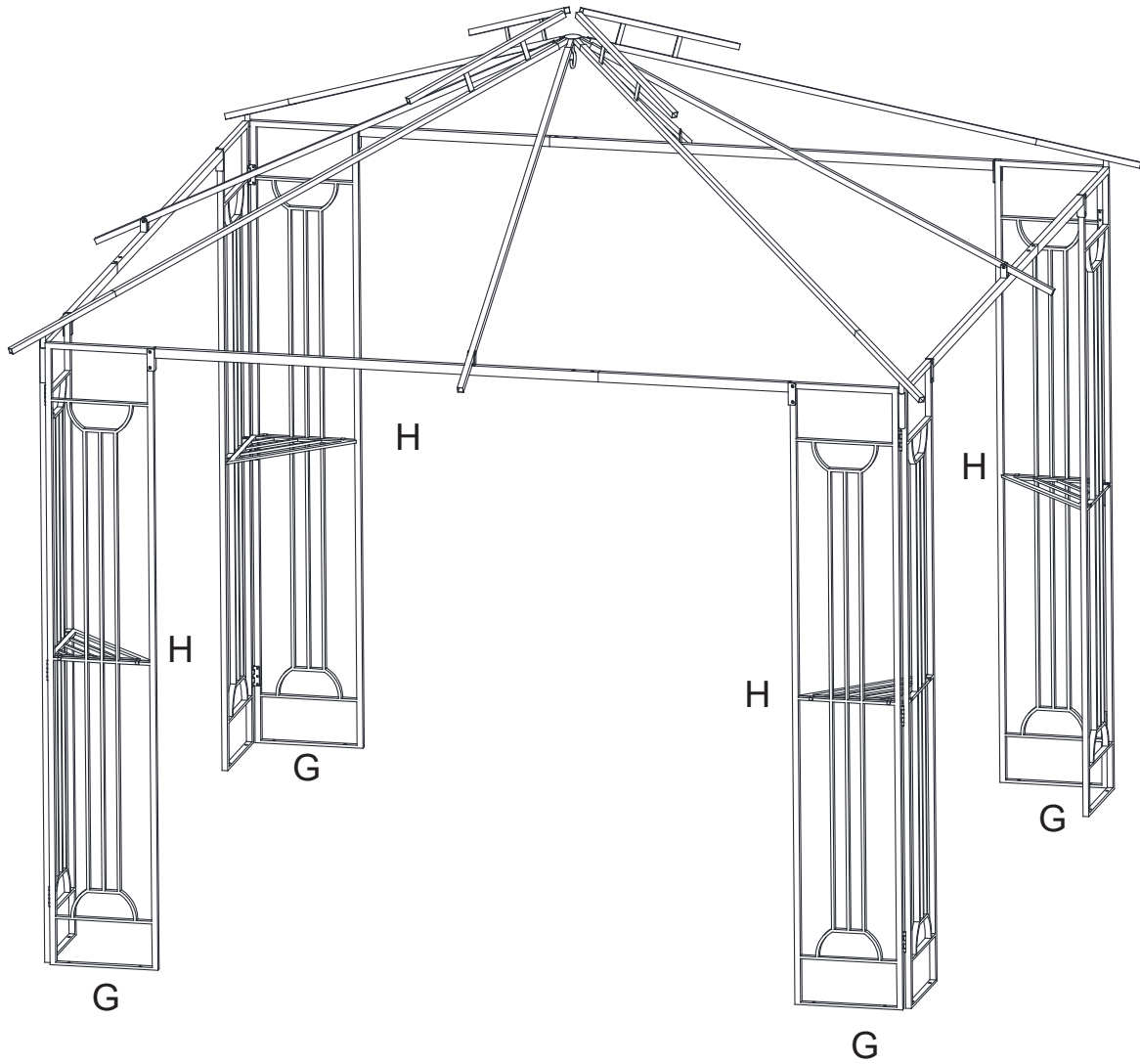
4. Insert Long Support Connecting Tube (C) into Long Top Bar Tube (B) ;



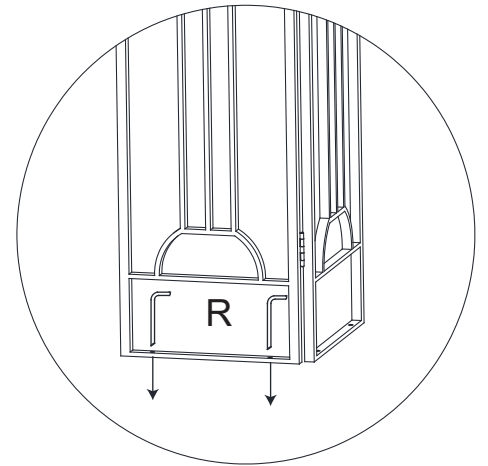
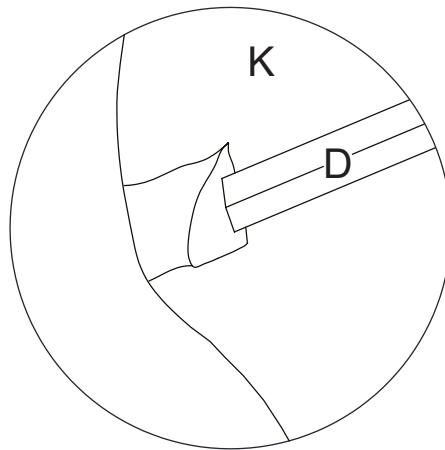
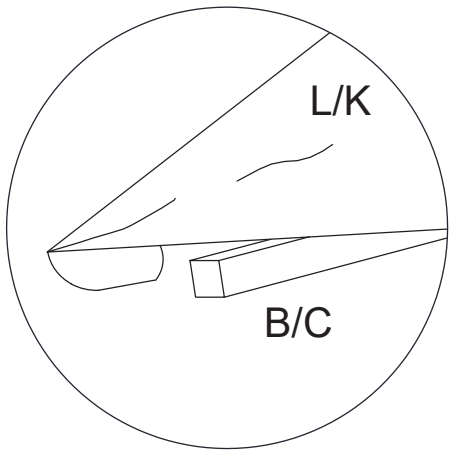
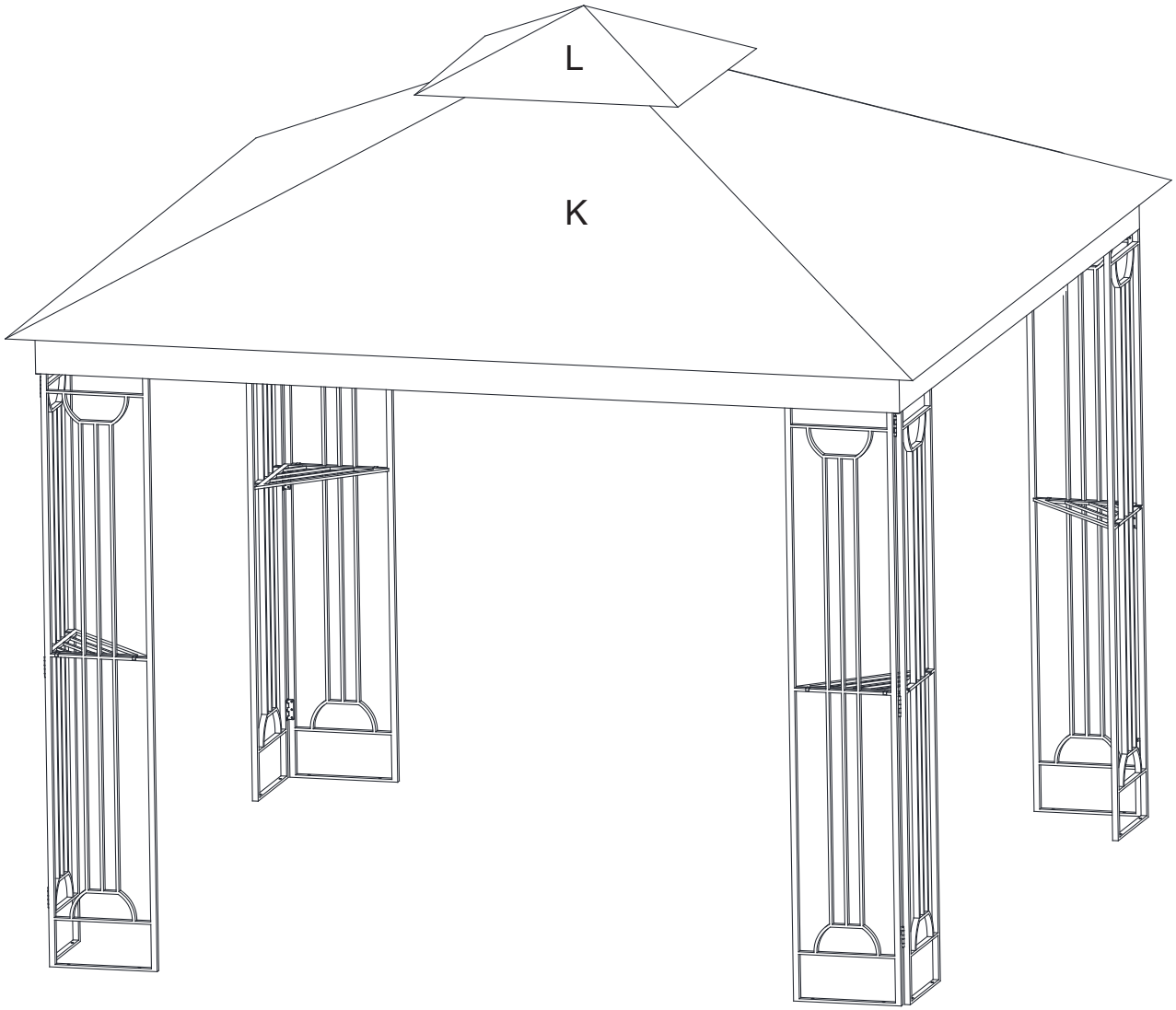
5. Insert Long Support Connecting Tube (B) into Center Connector (A) then insert them into the round tube of Door Screen (G) ;



6. Insert Short Top Bar Tube (D) into Center Connector (A), then fix Short Top Bar Tube (D) with U-Shaped Connector (I) with Screw (N) ;



7. Put Triangle panel insert into Door Screen (G), fasten Hook (J) tightly into Center Connector (A) ;



8. Put Big Canopy (K) and Small Canopy (L) on tope of Long Top Tubes (B/C) and Short Top Bar Tube (D), fix Door Screen (G) by Stake (R) firmly .