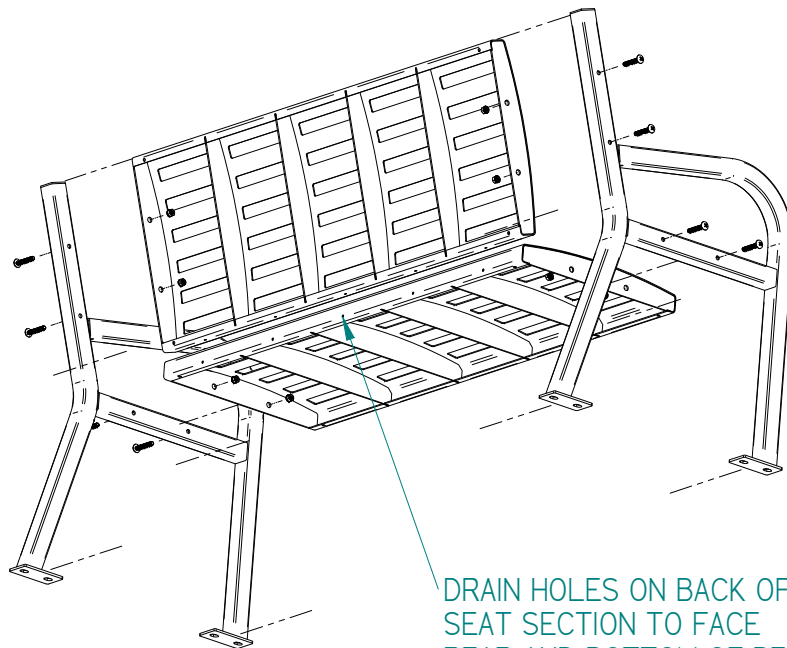
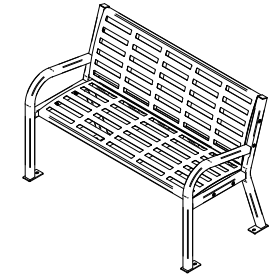
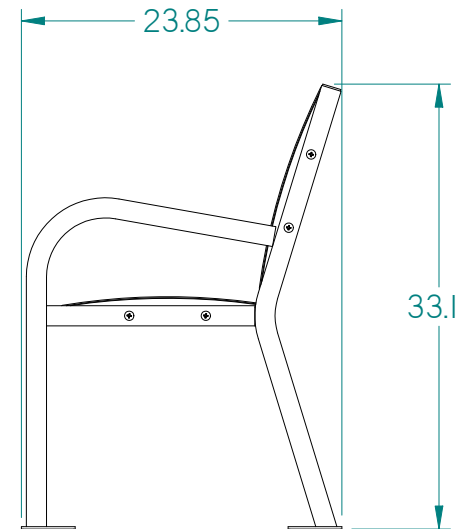
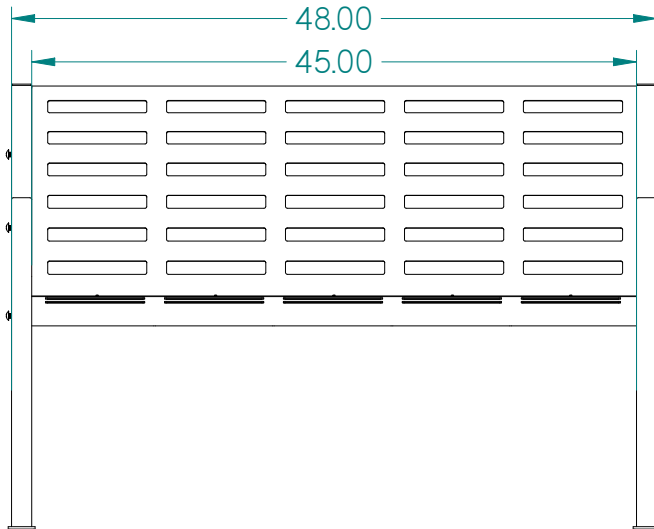


Lasting Impressions

www.peml.com

paris
EQUIPMENT MANUFACTURING LIMITED

Toll-Free: 1-800-387-6318



DRAIN HOLES ON BACK OF SEAT SECTION TO FACE REAR AND BOTTOM OF BENCH.

MATERIALS:

- 1.50" X 1.50" X 1/8"W STEEL TUBING
- 14 GA STEEL SEAT SECTIONS
- 11 GA STEEL SEAT RIBS
- 7 GA STEEL FOOT PLATES
- 5/16-18 PHILLIPS TRUSS HEAD BLACK ZINC PLATED H/W INCLUDED
- 3/8-16 CONCRETE ANCHORING H/W INCLUDED
- PHILLIPS DRIVER BIT INCLUDED

FINISH:

- SANDBLASTED SEAT SECTIONS WITH PEEL BLACK POWDER COAT FINISH
- E-COATED END FRAMES WITH PEEL BLACK POWDER COAT FINISH

460-225 R0
BENCH,LIS-BENCH-4FT
INSTALLATION INSTRUCTIONS