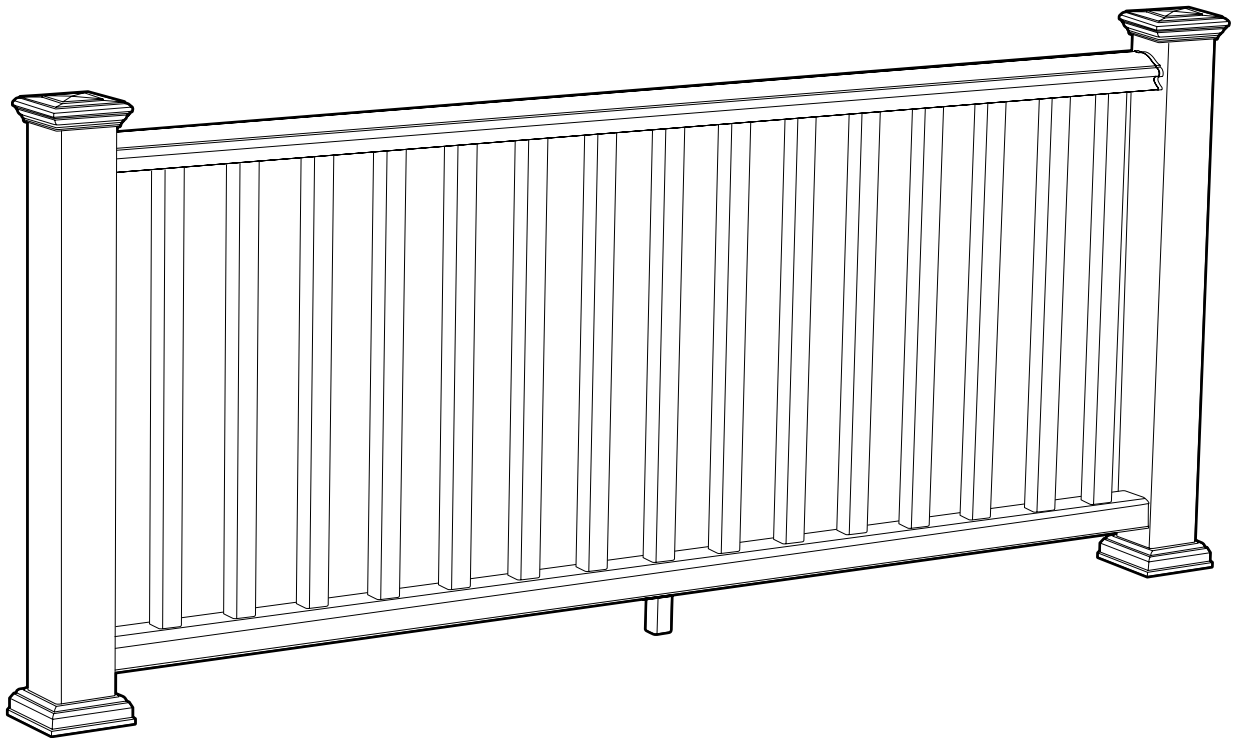




Part #SEC19 CW 6KD  
SEC19 CW 8KD  
SEC19 CWS 6KD HW

# INSTALLATION MANUAL

## ARMORGUARD® DELUXE RAILING



Questions, problems, missing parts? Before returning to the store,  
call Fibron Customer Service  
8 a.m. - 5 p.m., EST, Monday - Friday

**1-800-230-7547**

**FIBRONDECKING.COM**

---

### THANK YOU

*We appreciate the trust and confidence you have placed in Fibron through the purchase of this railing. We strive to continually create quality products designed to enhance your home. Visit us online to see our full line of products available for your home improvement needs. Thank you for choosing Fibron!*

# Table of Contents


Table of Contents ..... 2  
Safety Information ..... 2  
Warranty ..... 3  
Pre-Installation ..... 4

Line Rail Installation ..... 7  
Stair Railing Installation ..... 10  
Angle Bracket Installation ..... 13

# Safety Information

Read and understand this entire manual before you begin the installation of your railing.

 **WARNING:** Use extreme caution when using power tools.

 **IMPORTANT:** Please consult local zoning laws in regards to load requirements and bottom space requirements for rails. All supporting structures must be in accordance with applicable building codes. Neighborhood associations and/or historic districts may regulate size, type, placement and ability of railing. Apply for permits if required by local authorities and codes. Ensure compliance prior to installation. Local building code requirements will always supersede any and all suggested procedures and measurements in the following installation. The following installation instructions are intended as a general guideline based on common building practices used in railing installation.

# Warranty

## 20 YEAR PERFORMANCE LIMITED WARRANTY

### WHAT IS COVERED

This railing product is covered under a Limited Residential Warranty to protect against checking, splitting, decay, rot and splintering.

### WHAT IS NOT COVERED

In no event will the manufacturer be liable for any direct, indirect, incidental, special, consequential, punitive, exemplary, statutory, special, or other, damages based upon the manufacturer products or manufacturer fasteners or resulting, directly or indirectly, from any defect in the manufacturer products or fasteners, including but not limited to damage to, diminution in value of and/or loss of use or enjoyment of, any property or part thereof, whether based on contract, tort, strict liability, statute, regulation or otherwise, even if the manufacturer is expressly advised about the possibility of such damages. Some states do not allow the exclusion or limitation of incidental or consequential damages in certain circumstances, so the above limitation may not apply to you.

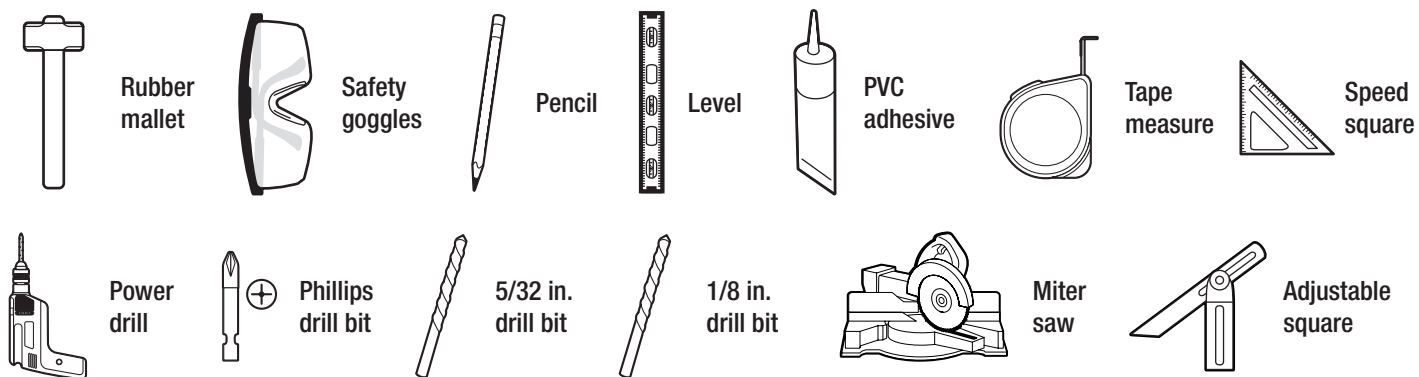
In addition, this Limited Warranty does not cover and the manufacturer shall not be liable for any installation, removal or reinstallation costs. The manufacturer does not warrant against and is not responsible for, and no express or implied warranty shall be deemed to cover, any condition attributable to: (1) improper installation of products and/or failure to abide by the manufacturer's written instructions and any applicable laws or building codes, including but not limited to improper structural support, fastening, ventilation or gapping; (2) use of the manufacturer's products beyond normal use or in an application not recommended or permitted by the manufacturer's written instructions and applicable laws and building codes; (3) movement, distortion, collapse or settling of the ground or the supporting structure on which the manufacturer's products are installed; (4) Defects in or failure arising from decking structure resulting from water caused by improper installation, workmanship, maintenance or repair; (5) any Act of God (including but not limited to flooding, hurricane, tornado, wind, earthquake, lightning, hail, etc.); (6) discoloration, fading, spotting or staining from or caused, in whole or in part, by mold, mildew, other fungal growth, organic materials, metallic oxides or particles (including but not limited to rust or corrosion of any fasteners), dirt, other atmospheric or environmental pollutants, foreign substances such as grease or oil, chemicals (including but not limited to those found in cleaners), or normal weathering (defined as natural efflorescence, exposure to sunlight, weather and atmospheric conditions which causes any colored surface to gradually fade, flake, chalk, or accumulate dirt or stains); (7) damage resulting from casualty, fire or exposure to heat sources such as cooking devices or retro-reflective surfaces; (8) the application of paints, stains, surface treatments or other chemical substances including but not limited to cleaners or pesticides; (9) fading, flaking or other deterioration of any paints, stains or other coatings placed on the manufacturer's products; (10) climate change, environmental conditions, static electricity or any cause beyond the control of the manufacturer; (11) variations or changes in color of the manufacturer's products; (12) improper handling, maintenance, storage, abuse or neglect of the manufacturer's products by Purchaser or others; (13) ordinary wear and tear; (14) impact from objects; or (15) any fasteners not supplied or approved by the manufacturer.

No warranty is given with respect to any fasteners other than the fasteners produced by the manufacturer. Other fasteners, whether approved fasteners or otherwise, are subject to only the warranties provided by the manufacturer of the fastener and Purchaser's sole warranty and remedy is with that manufacturer.

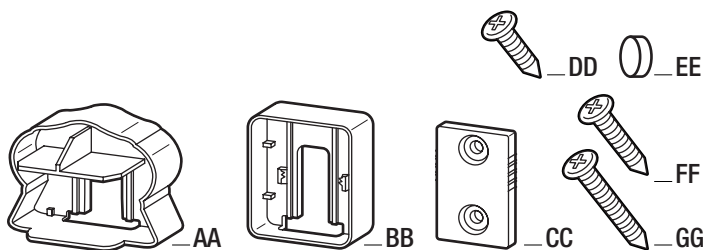
Contact the Customer Service Team at 1-800-230-7547 or visit [FIBERONDECKING.COM](http://FIBERONDECKING.COM).

# Pre-Installation

## TOOLS REQUIRED

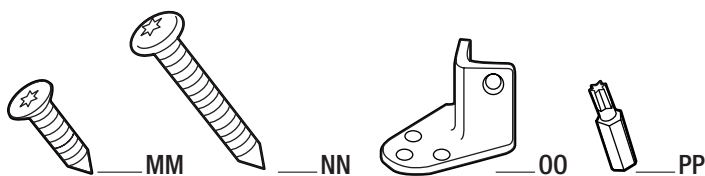


## RAILING HARDWARE KIT



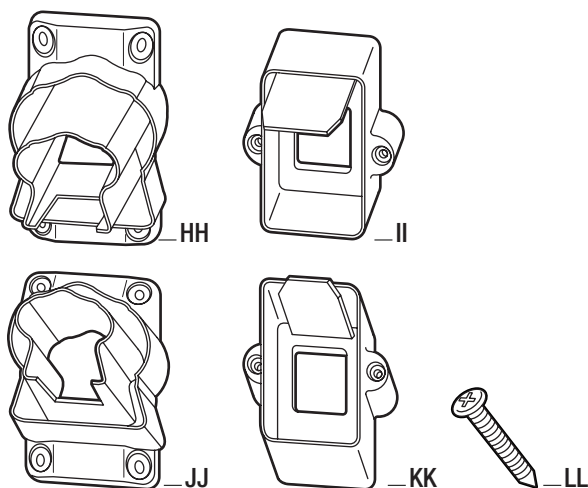
Part	Description	Quantity (per kit)
AA	Top railing bracket	2
BB	Bottom railing bracket	2
CC	Flange	4
DD	#10 x 1 in. self-tapping screw	4
EE	Screw caps	4
FF	#10 x 1.5 in. screw	8
GG	#10 x 2 in. screw	4

## ANGLE BRACKET HARDWARE KIT (OPTIONAL)



Part	Description	Quantity (per kit)
MM	#10 x 1 in. screw	12
NN	#10 x 2 in. screw	8
OO	Angle bracket	4
PP	Driver bit	1

## STAIR RAILING HARDWARE KIT



Part	Description	Quantity (per kit)
HH	Top, upper stair bracket	1
II	Bottom, upper stair bracket	1
JJ	Top, lower stair bracket	1
KK	Bottom, lower stair bracket	1
LL	#10 x 1.5 in. screw	12

 **NOTE:** Hardware not shown to actual size.

# Pre-Installation (continued)

## PRIOR TO INSTALLING THE RAILING



**IMPORTANT:** Please read and follow the instructions in this section before you begin installation of your railing products.



**NOTE:** Rail and baluster lengths will vary slightly due to manufacturing processes. Make sure rails and balusters are cut properly to correct length, and with hole pattern centered between posts before securing.



**NOTE:** For best results, cut post sleeves with a carbide-tipped blade, minimum 32-tooth.

- If using cove moulding, slide the post down into the cove moulding prior to securing any railings (Fig. 1).

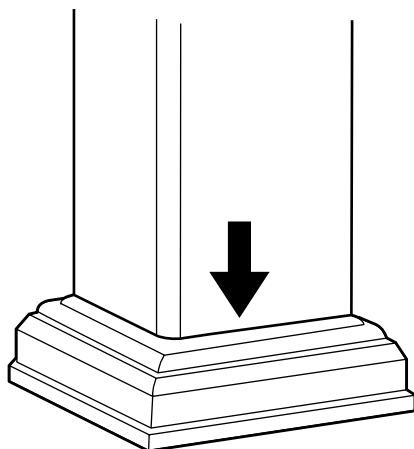


Fig. 1

- Measure the inside distance between properly installed, plumb posts. See Fig. 2 for Line and Stair Railings.

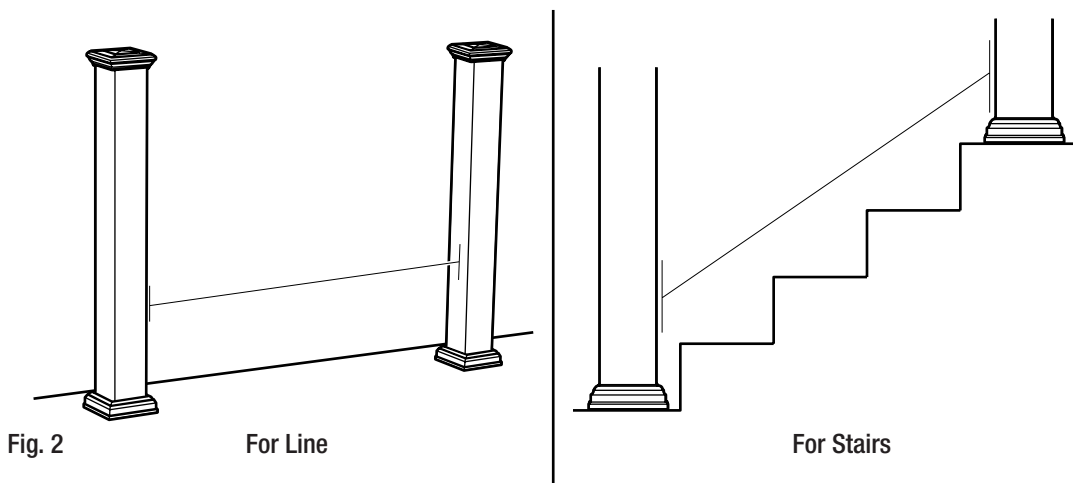


Fig. 2

For Line

For Stairs

## Pre-Installation (continued)

- Transfer the measurement to the top rail, making sure that the distance from the end of the rail to the first baluster slot is equal on both ends of the rail. The minimum distance from a post to first baluster slot is 2 in. for clearance from the brackets. (See Fig. 3)

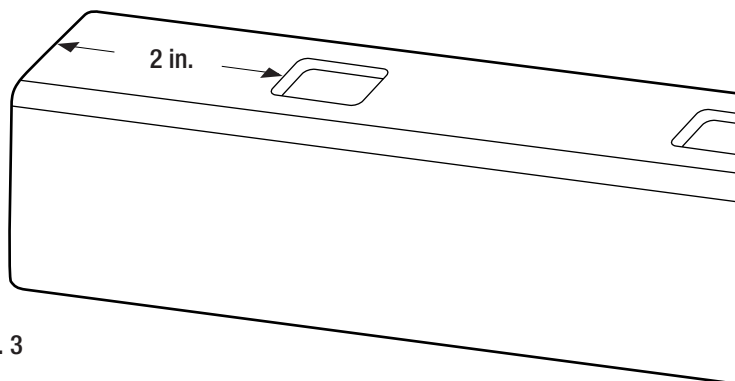


Fig. 3

- Place the rails together so that the top and bottom baluster slots are aligned. Mark the bottom rail for the inside distance between the posts (see Fig. 4). Cut the top and bottom rails to fit tightly between the posts.

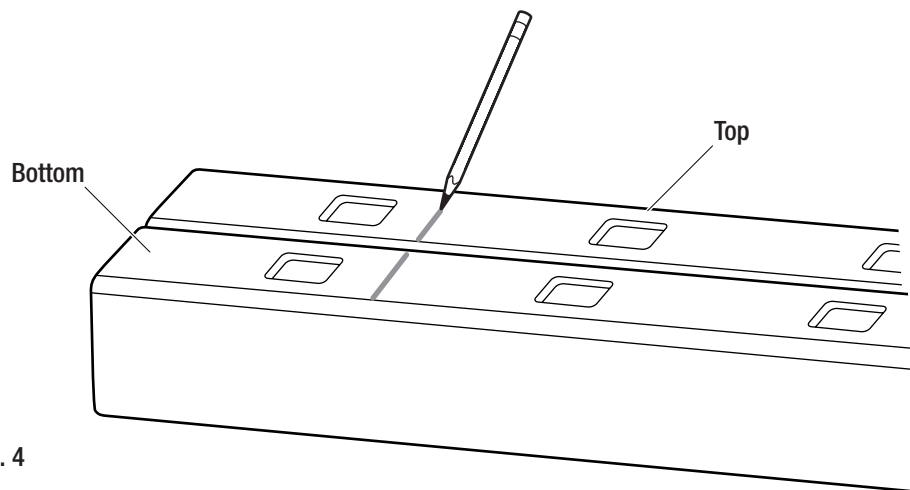
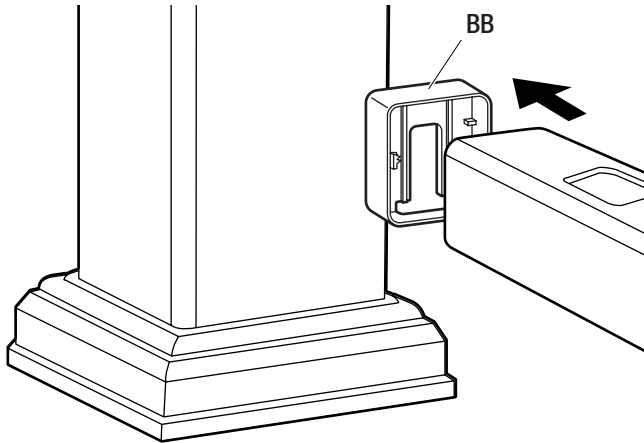


Fig. 4

# Line Rail Installation

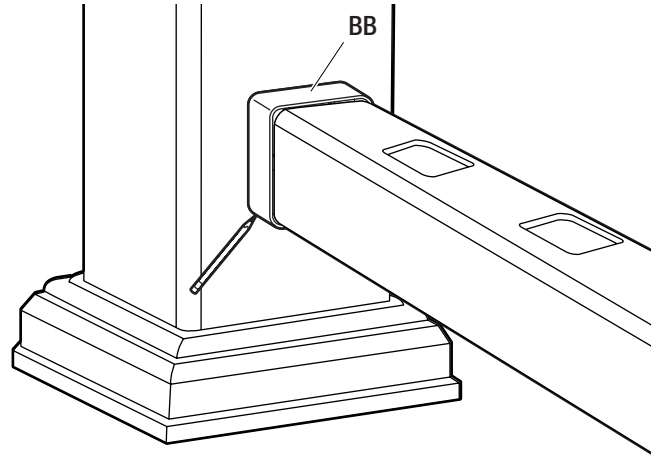
## 1 Preparing the bottom rail

- Place the bottom railing bracket (BB) over the ends of the bottom rails.
- Center the crush block on the deck surface between posts. Set the bottom rail on top of the crush block and ensure the rail is level.



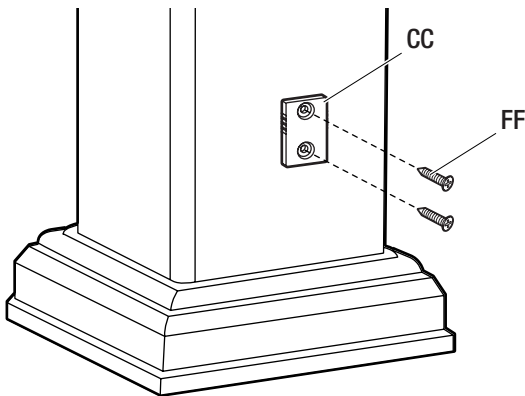
## 2 Tracing the bottom railing bracket

- Lightly trace a line to show the location of the bottom of the bracket (BB).



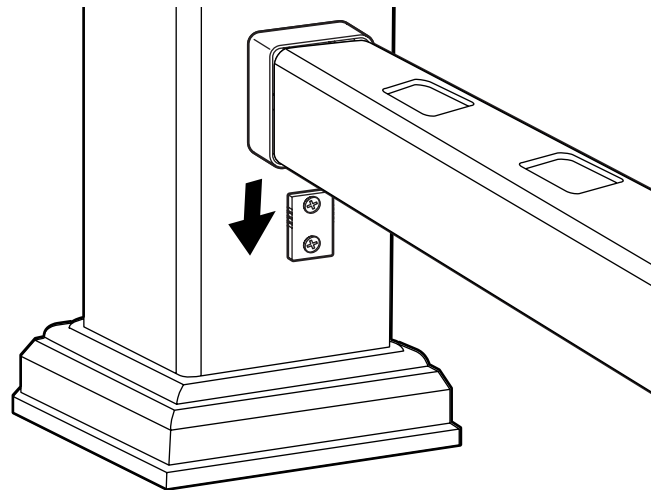
## 3 Attaching the bottom bracket flange

- Remove the bottom rail and mark the bottom bracket flange (CC) holes.
- Pre-drill holes using a 1/8 in. bit and then attach the bottom bracket flange (CC) using the #10 x 1.5 in. screws (FF). **DO NOT OVERTIGHTEN THE SCREWS.**



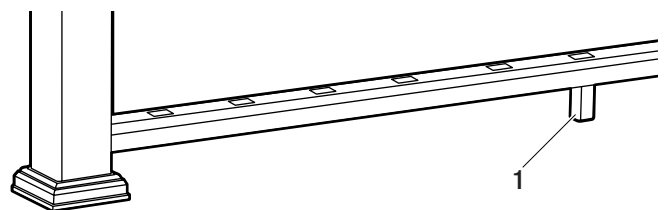
## 4 Installing the bottom rail

- Snap/lock the bottom rail in place.



## 5 Attaching crush blocks

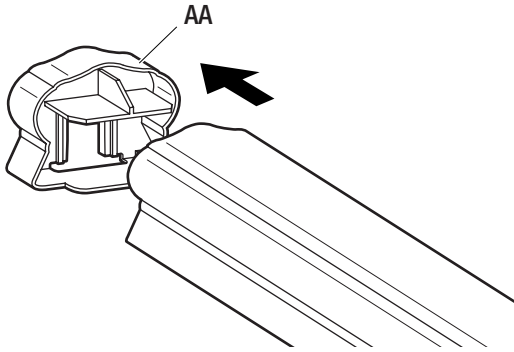
- Use PVC adhesive to place and glue crush blocks (1) to the bottom of the bottom rail at mid-point of rail length to support the rail in a level position.



## Line Rail Installation (continued)

### 6 Preparing the top rail

- Place top rail brackets (AA) over each end of the top rail.

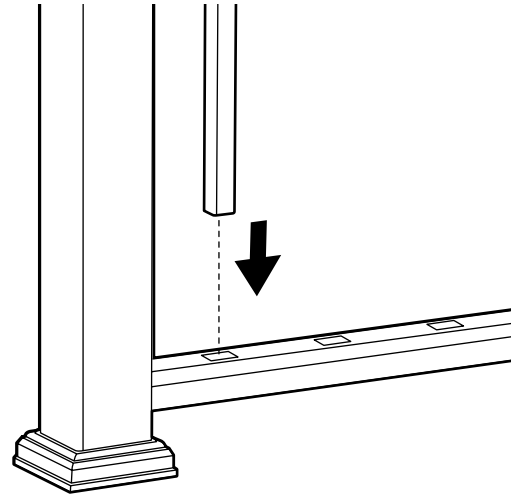


### 7 Inserting balusters

- Insert a baluster into the first and last baluster holes in the bottom rail.

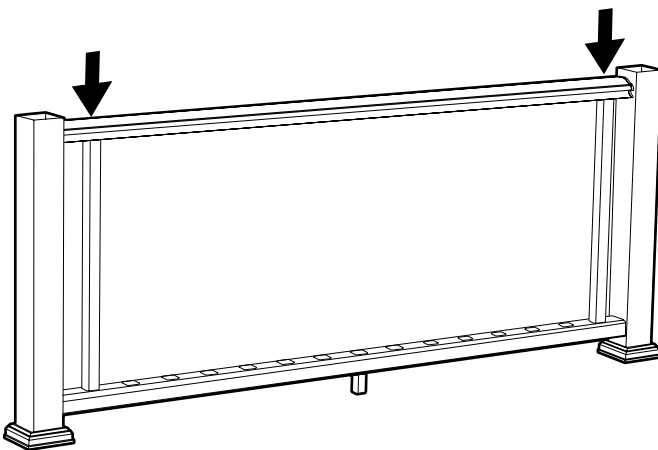


**NOTE:** Baluster length may vary slightly. Make sure all balusters are cut to the correct length.



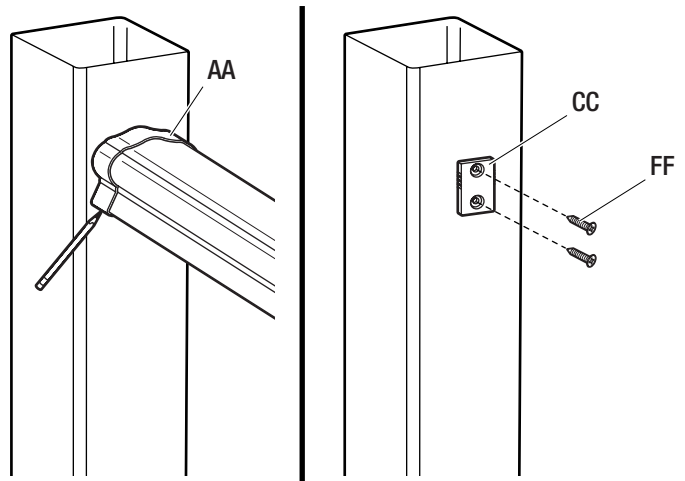
### 8 Positioning the top rail

- Carefully position the top rail between the posts and lower onto the two balusters. Ensure you fully seat the balusters into the top rail.
- Check the top rail and ensure it is level.



### 9 Marking and drilling top rail holes

- Lightly trace a line to show the location of the top rail bracket (AA).
- Remove the top rail and mark the location of the bracket flange. Then pre-drill holes with a 1/8 in. drill bit and attach the top bracket flange (CC) using the #10 x 1.5 in. screws (FF).

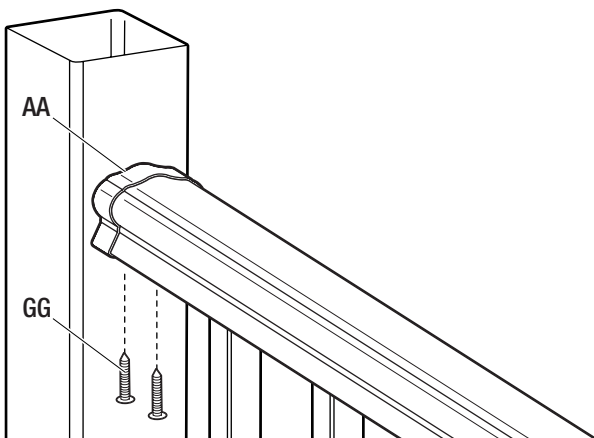
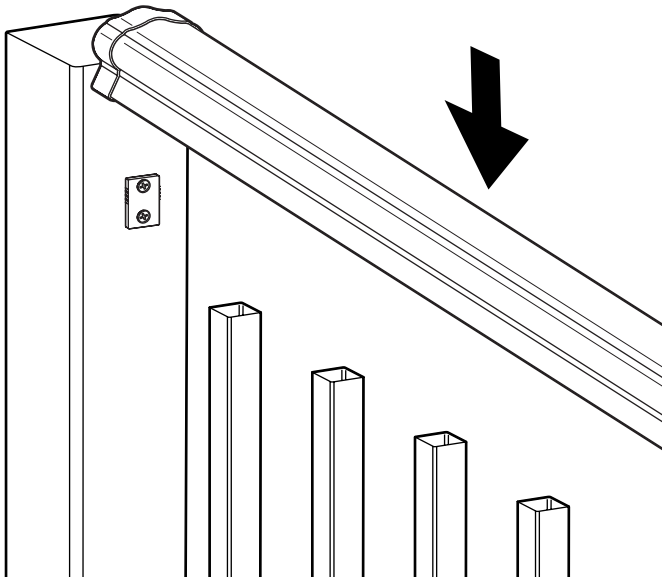




## Line Rail Installation (continued)

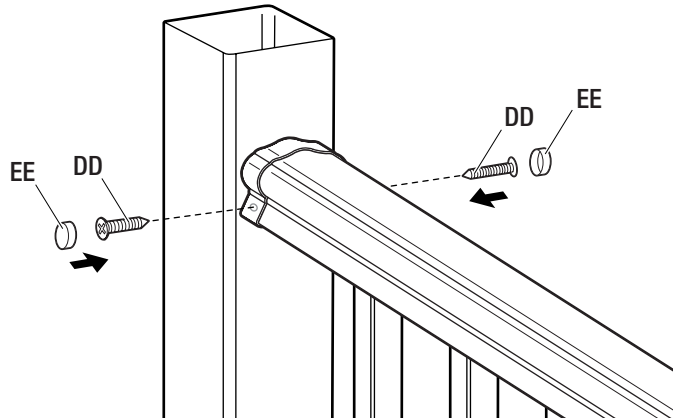
### 10 Installing the balusters and top rail

- Install all balusters into the bottom rail.
- Seat the balusters into the top rail and press down on the brackets to snap/lock the top rail into place.
- Pre-drill two holes in the flange at the bottom of the bracket (AA) 2 in. deep with a 1/8 in. bit.
- Secure the top rail using two #10 x 2 in. screws (GG). DO NOT OVERTIGHTEN THE SCREWS.



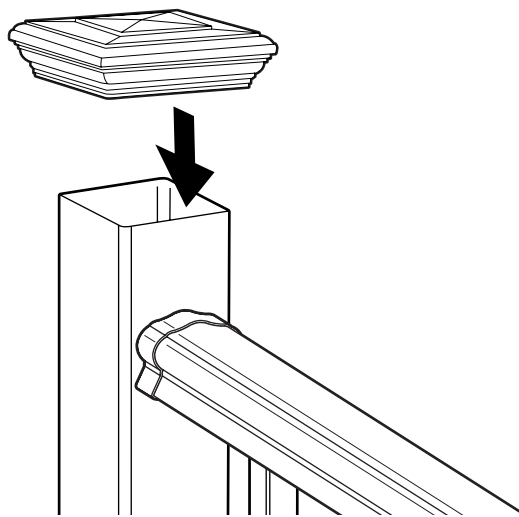
### 11 For installations higher than 30 in. above grade

- Two additional screws are required to properly secure the top rail. Pre-drill a 1/8 in. hole perpendicular into the flat face of the bracket (AA), approximately 1/2 in. from the post.
- Drive #10 x 1 in. screws (DD) until fully seated. DO NOT OVERTIGHTEN THE SCREWS.
- Insert screw caps (EE) onto the heads of the #10 x 1 in. screws (DD).



### 12 Installing the post caps

- Complete the installation by installing the post cap in place. You can use a quality exterior adhesive in order to do this but note that you will not be able to remove the cap at a later time once it is glued.



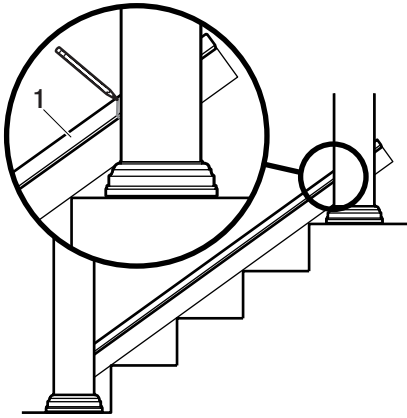
# Stair Railing Installation

## SPECIAL NOTES ON STAIR RAILING

The stair systems are designed for the typical angles created by an approximate 7 in. rise/11 in. run with allowance for accepted variation in components. The Deluxe stair system allows for a 30-36 degree stair angle. Building codes are very specific on allowable angles and widths. It is very important to consult with your local building code officials and plan your stair layout accordingly. Ensure that you leave adequate space for graspable hand rail if applicable. "Dry fitting" intermediate post placement will result in easier and better looking installations and may avoid placement of post mounting brackets in areas where screws cannot attach to the guardrail.

### 1 Determining the angle for the railing

- Using a 2 x 4 over the steps to create a consistent angle, place the bottom rail (1) over the 2 x 4 and mark the end angles for the bottom rail.

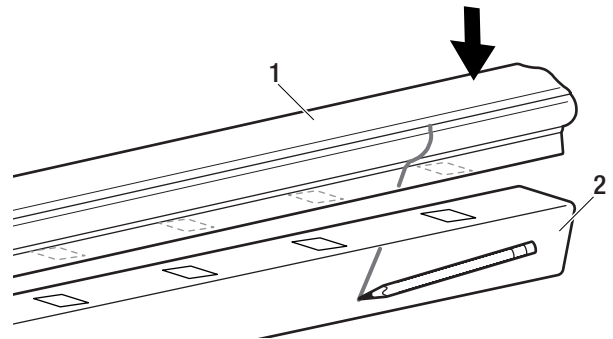


### 2 Marking the angles

- Align the top rail (1) on top of the bottom rail (2), ensuring the baluster holes are facing each other. Then mark the angle of the bottom rail to the top rail.

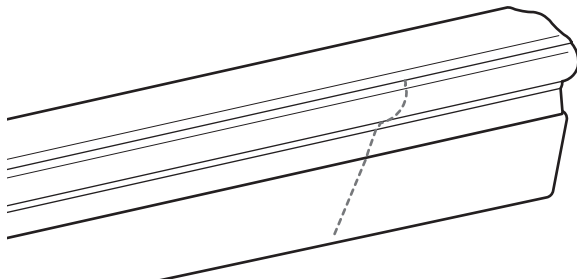


**NOTE:** Make sure that when the holes are aligned, the stair angle is continuous across both pieces. The minimum distance from post to first baluster slot is 2 in. for clearance from the brackets.



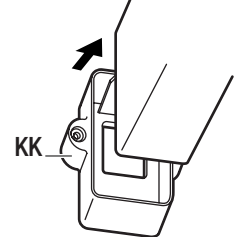
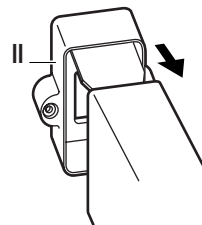
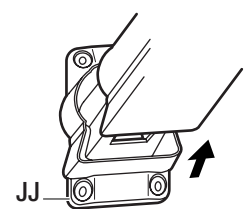
### 3 Cutting the rail angles

- Cut the top and bottom rails at the marked angles to fit tightly between the posts.
- Transfer the stair angle to the crush block and cut to the desired length (consult your local building official for the proper spacing between the stair tread and the railing).



### 4 Attaching brackets to the rails

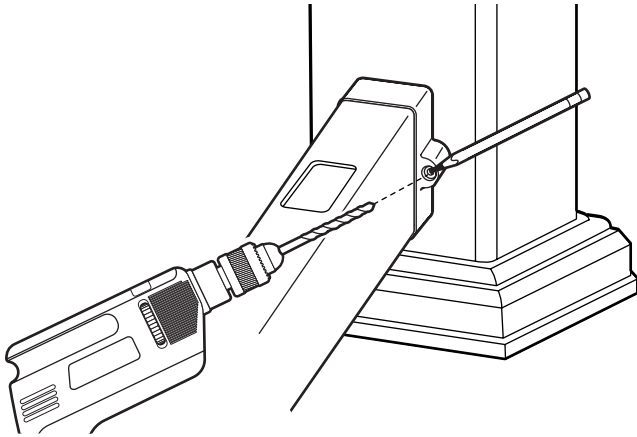
- Insert the upper and lower top stair brackets (HH and JJ) onto the top rails.
- Insert the upper and lower bottom stair brackets (II and KK) onto the bottom rails.



## Stair Railing Installation (continued)

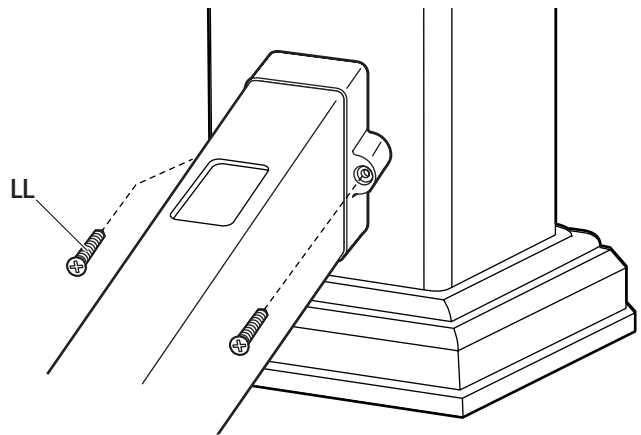
### 5 Preparing the bottom rail installation

- Place the lower rail and brackets in place, and locate and mark the screw holes.
- Remove the rail and brackets, and pre-drill with a 1/8-in. bit.



### 6 Installing the bottom rail

- Secure the bottom rail using the #10 x 1.5 in. screws (LL). DO NOT OVERTIGHTEN THE SCREWS.
- Place the crush block on the stair tread surface midway between the posts and glue to bottom of bottom rail.

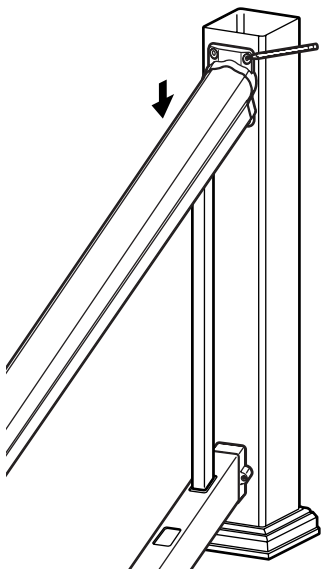


### 7 Positioning the top rail



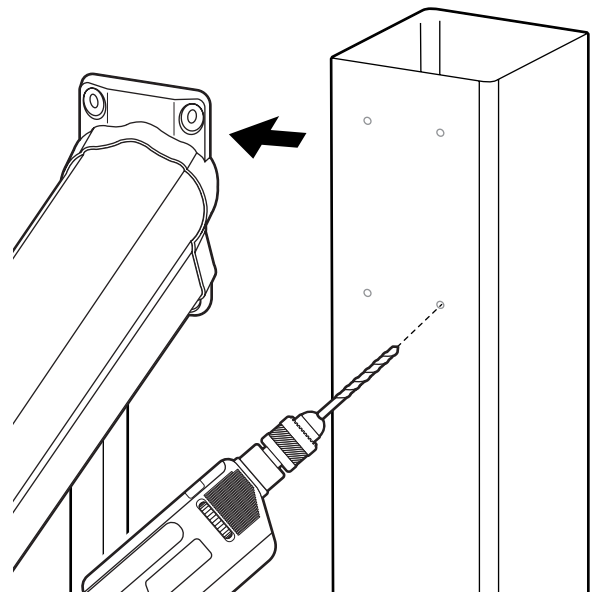
**NOTE:** Baluster length may vary slightly. Make sure all balusters are cut to the correct length.

- Insert a baluster into the first and last holes in the bottom rail. Carefully position the top rail over the balusters. Lower until the balusters are fully inserted.
- With the top rail fully seated, and using the top bracket as a guide, mark the location of the holes.



### 8 Drilling the top rail holes

- Remove the rail before pre-drilling the holes.
- Pre-drill the holes with a 1/8 in. bit.



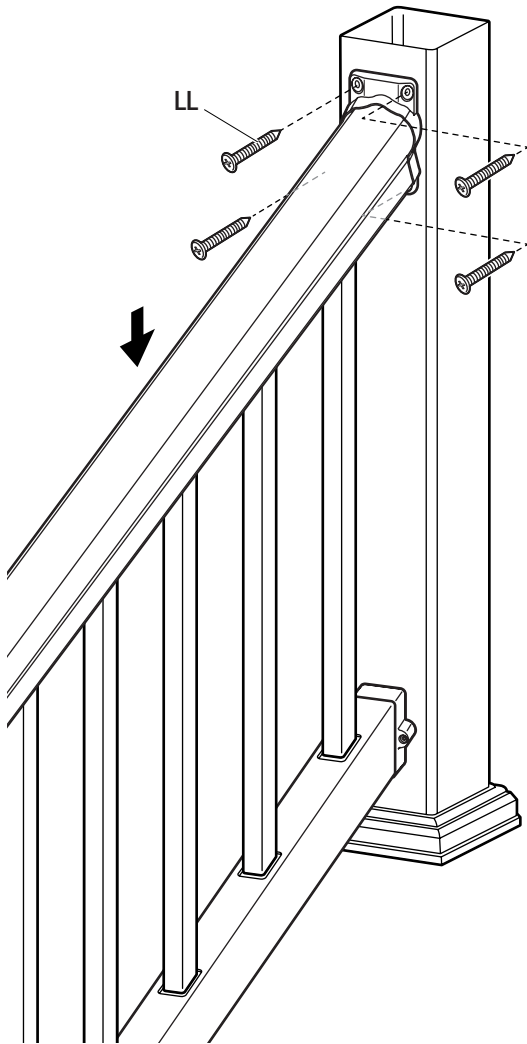
## Stair Railing Installation (continued)

### 9 Installing the top rail

- Fully insert all balusters and secure the top railing using the #10 x 1.5 in. screws (LL). DO NOT OVERTIGHTEN THE SCREWS.

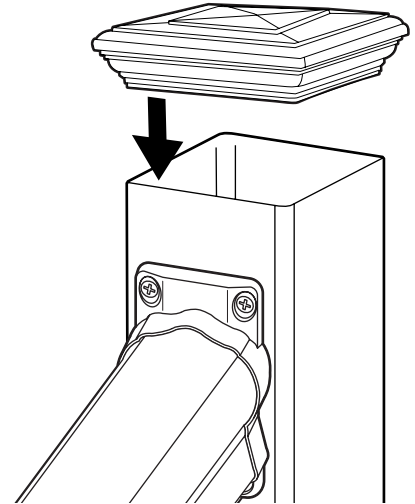


**NOTE:** Using extended drill bits is recommended to prevent damage to the rail, and allow a more perpendicular driving angle.



### 10 Installing the caps

- Complete the installation by installing the post cap in place. You can use a quality exterior adhesive in order to do this but note that you will not be able to remove the cap at a later time once it is glued.



# Angle Bracket Installation



**NOTE:** The angle bracket is available as a Special Order purchase, or from [homedepot.com](http://homedepot.com).

## 1 Determining the angle of installation

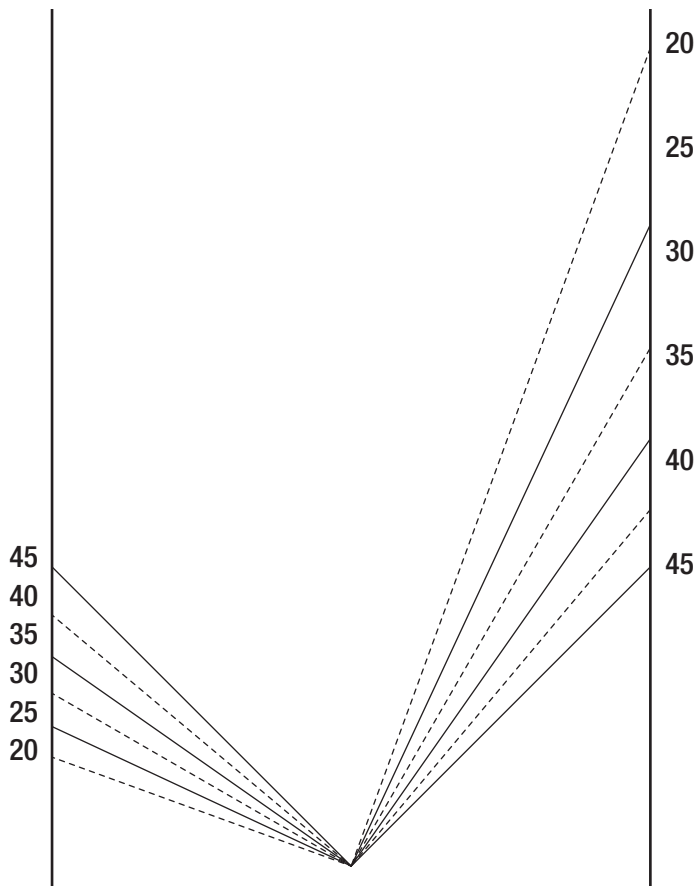


**NOTE:** Not for stair applications.



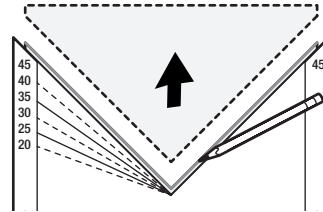
**NOTE:** The minimum distance from post corner to the first baluster hole is 1.5 in.

- Determine the angle of your installation using the supplied template and cut the template out along the appropriate marked lines. (You may want to photocopy the template as a backup prior to cutting).
- Position the template on the non-routed, underside surface of the bottom rail. Mark the proper cutting angle. Template will be reversed from the top rail.
- Ensure baluster holes are equidistant from the end of rail to ensure proper vertical alignment of balusters.



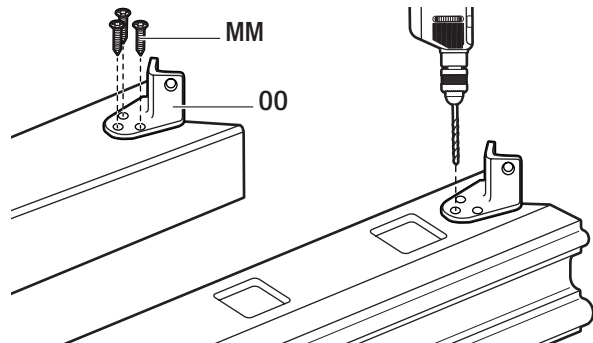
## 2 Making the angle cuts

- Make the angle cuts in the top and bottom rails.



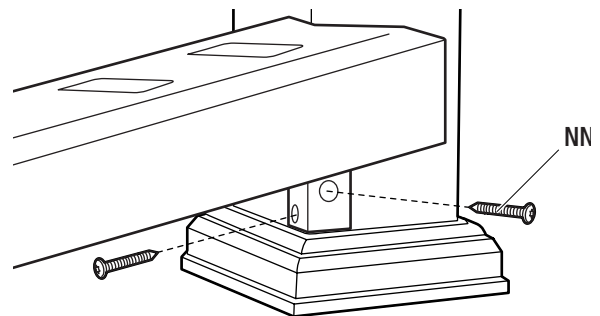
## 3 Installing the angle brackets

- Align the angle bracket (00) with the cut in each rail. Inset the bracket 1/16 in. from the rail's end.
- Mark the three screw hole locations on both ends of each rail and pre-drill the holes using a 5/32 in. bit.
- Secure the brackets with the 1 in. screws (MM). **DO NOT OVERTIGHTEN THE SCREWS.**



## 4 Installing the bottom rail

- Secure the bottom rail to the posts using the 2 in. screws (NN).
- Follow Steps 5 through 9 in the line rail instructions.





Questions, problems, missing parts? Before returning to the store,  
call Fiberon Customer Service  
8 a.m. - 5 p.m., EST, Monday - Friday

**1-800-230-7547**

**FIBERONDECKING.COM**

Retain this manual for future use.