

MANTEL

MODEL

X3437-1CHR

X3437-1MAH

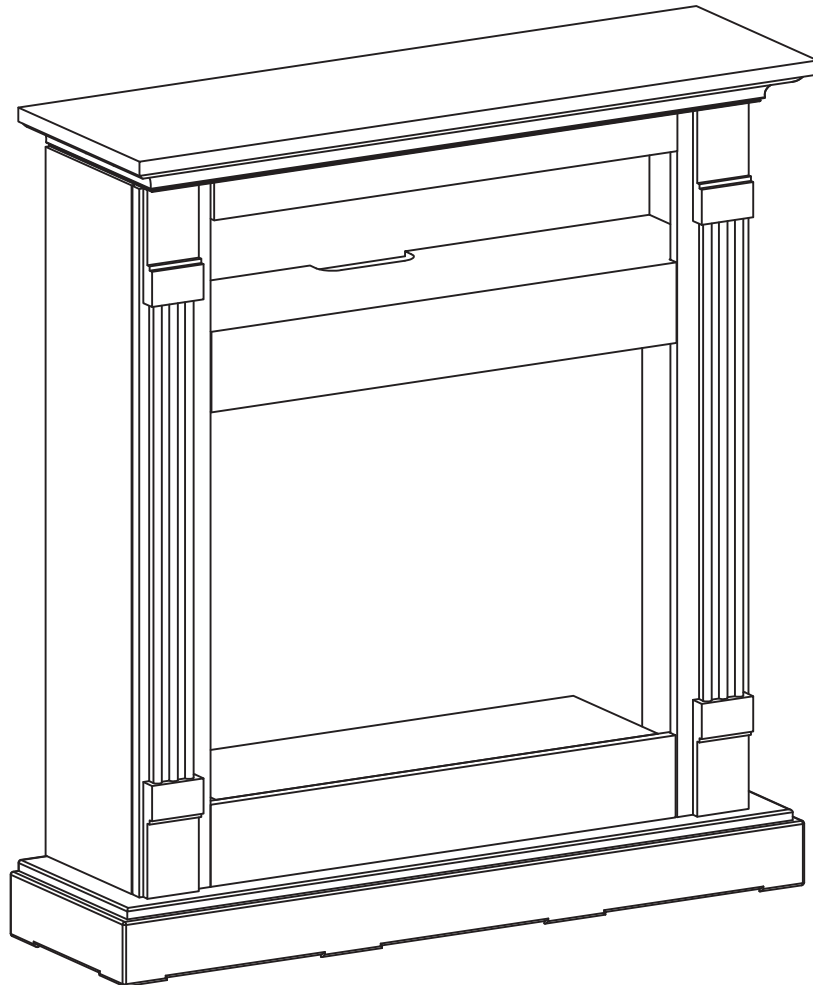
X3437-1TEK

X3437-1WHT

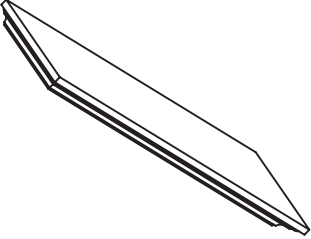
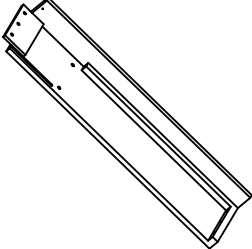
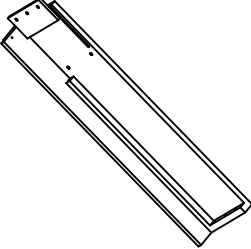
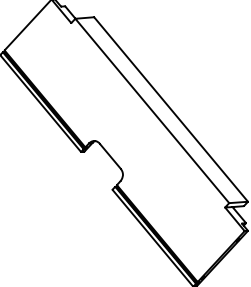
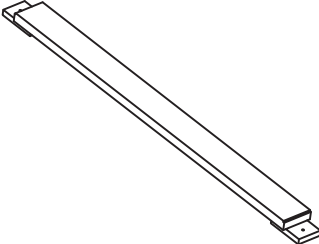
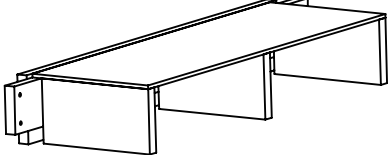
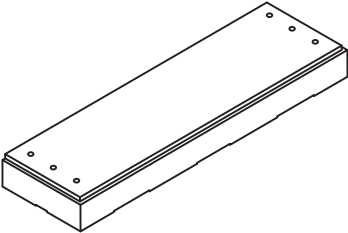
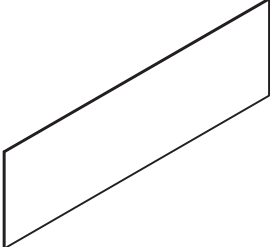
X3437-1BLK

X3437-1WAL



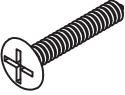
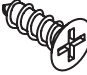

X3437-1GRY



PACKAGE CONTENTS

 A	 B	 C
 D	 E	 F
 G	 H	

HARDWARE CONTENTS

 AA Bolt Qty. 4	 BB Metal Connector Qty. 4	 CC Screw M4x30 Qty. 4	 DD Screw M4x15 Qty. 2	 EE Screw M4x35 Qty. 12
---	---	---	--	--

PACKAGE CONTENTS

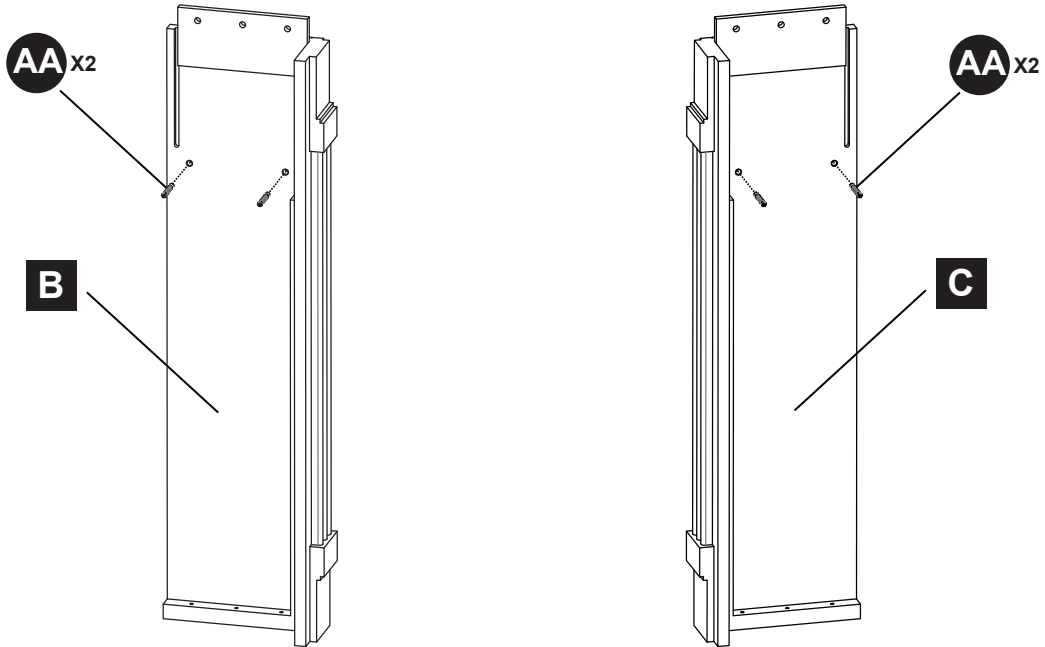
PART	DESCRIPTION	QTY.	PART NO.
A	Top Panel	1	
B	Left Side Panel	1	
C	Right Side Panel	1	
D	Middle Panel	1	
E	Top Shelf	1	
F	Lower Back Panel	1	
G	Base	1	
H	Upper Back Panel	1	
AA	Bolt	4	
BB	Metal Connector	4	
CC	M4x30 screw	4	
DD	M4x15 screw	2	
EE	M4x35 screw	12	

Some parts and specifications may change without notice.

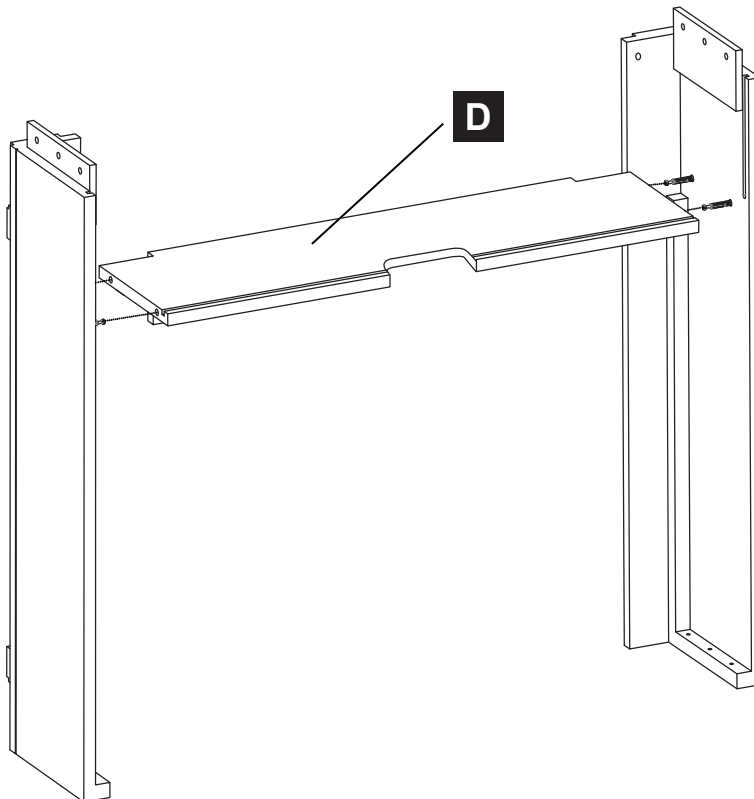
Carefully remove all pieces from the carton and make sure that you have all parts listed (refer to parts list on page 2-3).

PACKAGE STEPS

1.

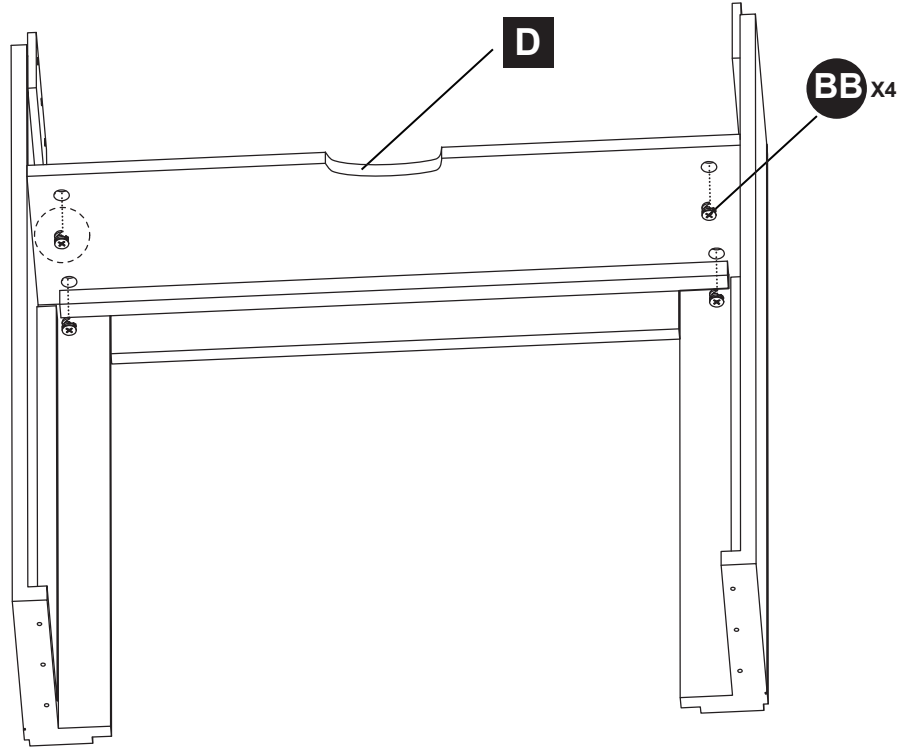
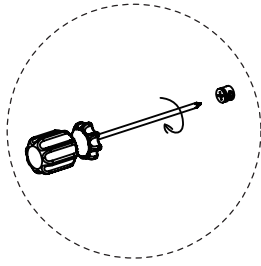


2.

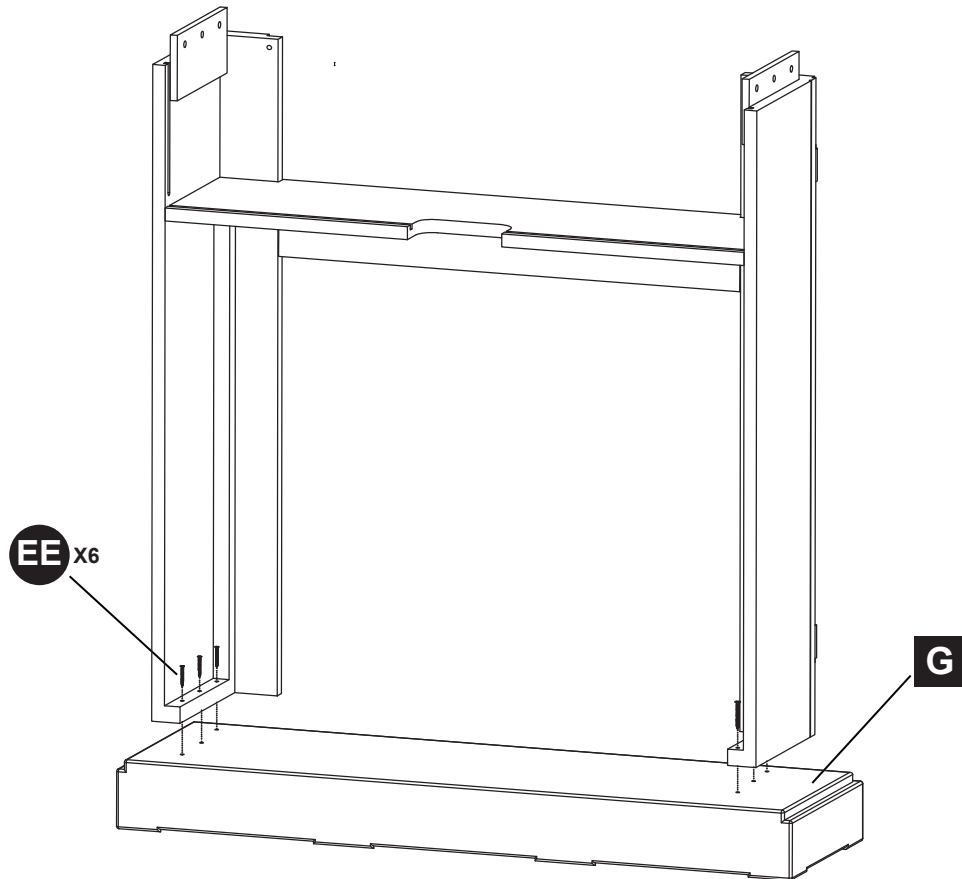


PACKAGE STEPS

3.

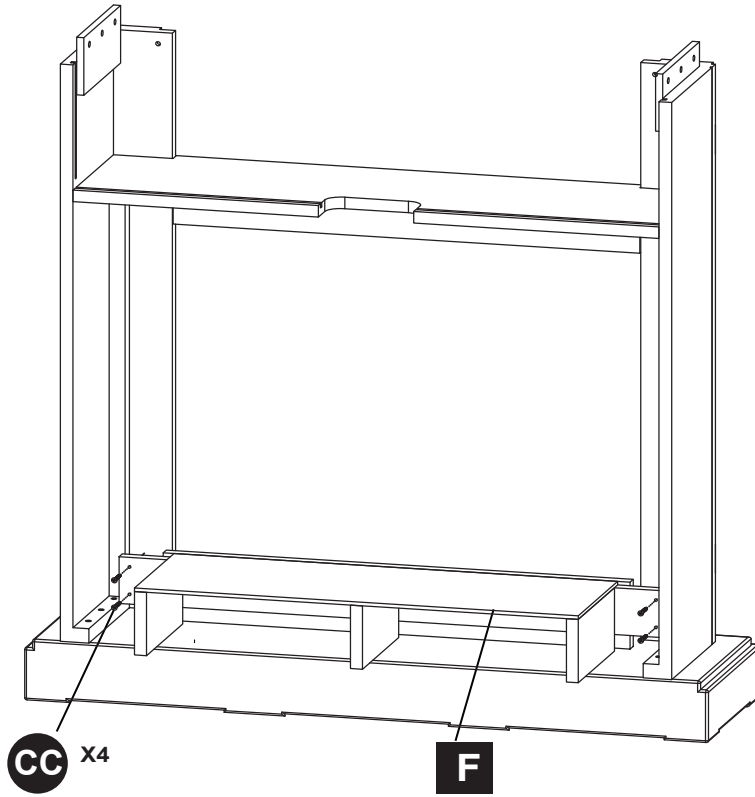


4.

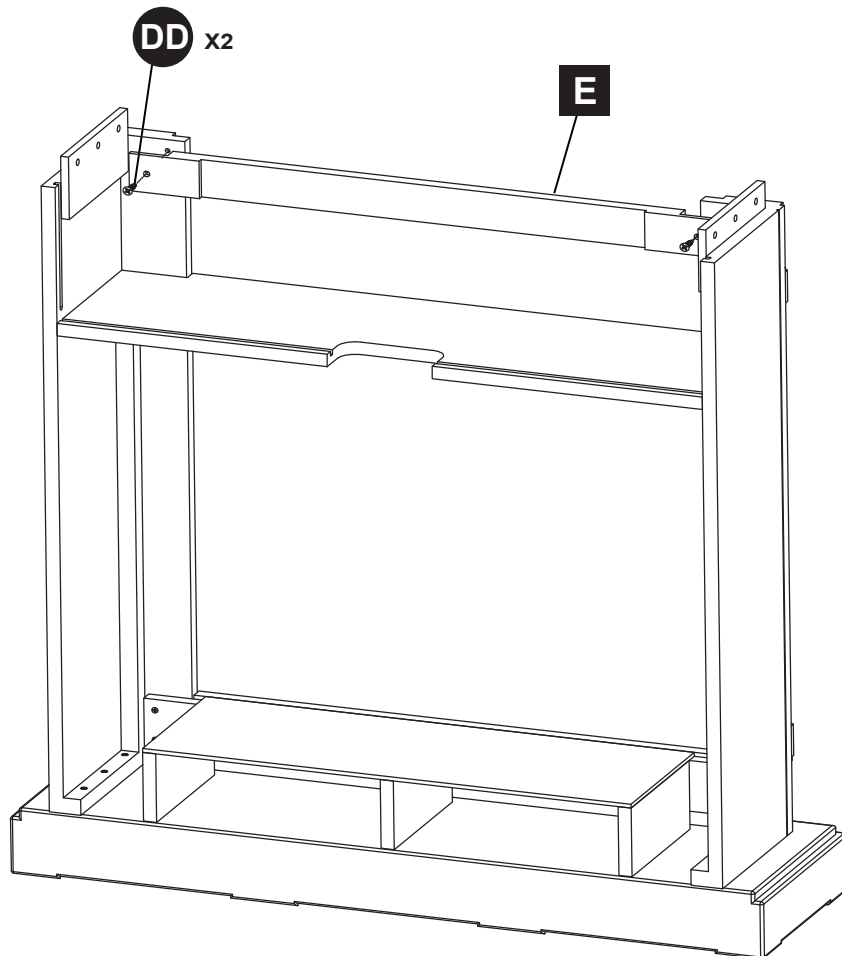


PACKAGE STEPS

5.

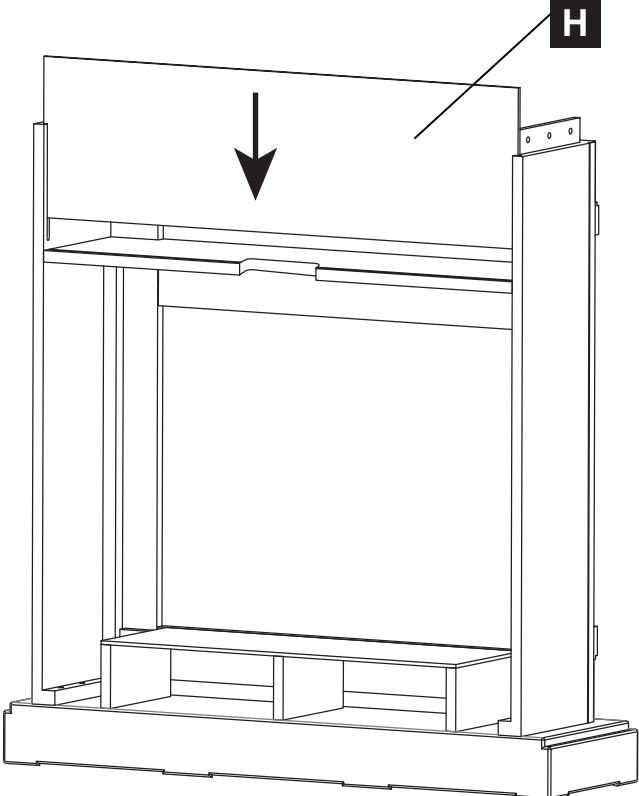


6.



PACKAGE STEPS

7.



8.

