



COMPANY

Popcorn Machine Owner's Manual

**For Great Northern Popcorn Company Model
Numbers: NP08001SE/NP04002**

6096A 8 oz Foundation Black Full
6097A 8 oz Foundation Red Full
6098A 8 oz Foundation Blue Full
6099A 8 oz Foundation Black Top
6100A 8 oz Foundation Red Top
6101A 8 oz Foundation Blue Top

6102A 6 oz Foundation Black Full
6103A 6 oz Foundation Red Full
6104A 6 oz Foundation Blue Full
6105A 6 oz Foundation Black Top
6106A 6 oz Foundation Red Top
6107A 6 oz Foundation Blue Top

6108A 4 oz Foundation Black Full
6109A 4 oz Foundation Red Full
6110A 4 oz Foundation Blue Full
6111A 4 oz Foundation Black Top
6112A 4 oz Foundation Red Top
6113A 4 oz Foundation Blue Top

6128A All Star GNP-800 Red Full
6129A All Star GNP-850 Red Top
6130A All Star GNP-400 Red Full
6131A All Star GNP-450 Red Top

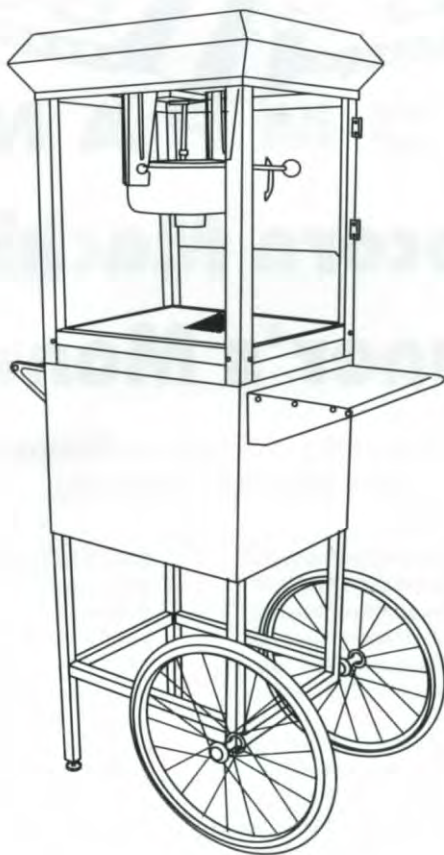
Congratulations! You have purchased one of our best selling popcorn poppers for your home or business. This industrial-strength popper is the same one used by sport stadiums, convenience stores and mini-marts.

We use only the finest grade material and workmanship when manufacturing our poppers. If for any reason our popper doesn't live up to these standards described, please write to us at service@greatnorthernpopcorn.com.

GreatNorthernPopcorn.com

A Complete Selection of Concession Supplies

©2009 DTX International All Rights Reserved

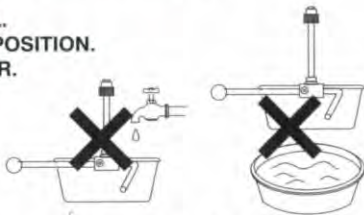


Copyright 2009 DTX International All Rights Reserved

IMPORTANT SAFEGUARDS

When using electrical appliances, basic safety precautions should always be followed including the following:

- **READ ALL INSTRUCTIONS BEFORE USING YOUR POPCORN MACHINE.**
- Do not touch hot surfaces. *Always* use handles or knobs to operate.
- To avoid any risk of electrical shock, do not immerse cord or plug in water.
- Close supervision is necessary when being used near children.
- Unplug main power cord from outlet while not in use and before cleaning.
- Allow hot parts to cool down before moving or cleaning.
- Do not operate the appliance with a damaged cord or plug, or if the machine is malfunctioning or damaged. Send the unit to the nearest authorized service center for examination and repair. (ONLY technicians should open up the unit.)
- Using any accessories or attachments not provided or recommended by the manufacturer may result in injury.
- Do not pop kernels in a dry pot (without oil).
- Do not immerse the kettle in water.
- Pot surface are **HOT** and should **NOT** be touched during the popping process or just after use.
- Unplug, clean and cover the unit and store in a dry, safe place while not in use.
- Do not leave the power cord hanging over edge of table or counter.
- **DO NOT** place the unit on or near a hot gas or electric burner or in a heated oven.
- Extreme caution must be used when moving any appliance containing hot oil or other hot liquids.
- Turn ALL switches to "OFF" position before disconnecting power plug from the outlet.
- Not recommended for outdoor use.
- Do not use appliance for anything other than the indicated usage.
- To avoid overheating, always have oil and kernels ready before operating.
- Extreme caution must be used when unloading popcorn, always use oven mitts. Be careful that residual hot oil or water does not come into contact with skin, as burns may occur.
- If you have purchased a bar style popper, or are using the full unit without the cart, always place the unit over a counter-top so that residual hot oil or water will not cause injury.
- **KEEP OUT OF REACH OF CHILDREN.**
- **DO NOT CLEAN USING ANY ABRASIVE MATERIAL.**
- **NEVER FORCE ANY PARTS OR BRACKETS INTO POSITION.**
- **NO PARTS ARE INTENDED FOR THE DISHWASHER.**



SAVE THESE INSTRUCTIONS

FOR HOUSEHOLD USE ONLY

Copyright 2009 DTX International All Rights Reserved

ASSEMBLY INSTRUCTIONS

4OZ POPPER ASSEMBLY

Models: Voltage: AC 120V-60Hz Input Power: 600W

6108 4 oz Foundation Black Full

6109 4oz Foundation Red Full

6110 4 oz Foundation Blue Full

6130 All Star GNP-400 Red Full

6111 4oz Foundation Black Top

6112 4 oz Foundation Red Top

6113 4 oz Foundation Blue Top

6131 All Star GNP-450 Red Top

1. Use bolts & washers (Package B) provided to connect the long stand (F) and the 2 pc. square pole (E) together.
2. Connect the completed Step 1 (above) with the short stand (G) by the bolts & washers (Package B).
3. Insert axle (H) into short stand (G). Place wheels (J) on each end of axle (H). Next, place washers (Package C) onto each side of wheels (J) and then attach round cap nuts by wrenches provided (Package D).
4. For more convenient assembly, turn the storage cabinet (K) upside down. Insert both ends of the short and long stand onto the bottom of the cabinet and attach by bolts (Package B).
5. Turn the completed unit back to its upright position. Install the handrail (D) onto the left hand side by the nuts and bolts with washers included in Package A.
6. Place the main unit (A) onto the top side of the storage cabinet.
7. Place the pot (kettle, B) onto the hanger. (**Note:** Roller bar should be on the door side and also check if gears between pot and ceiling are perfectly matched).
8. Connect the power plug from the main unit ceiling with the socket on the bottom of the pot.
9. Open the door of the storage cabinet and release the two spring shafts beneath the main unit in order to fix the main unit to the storage base.

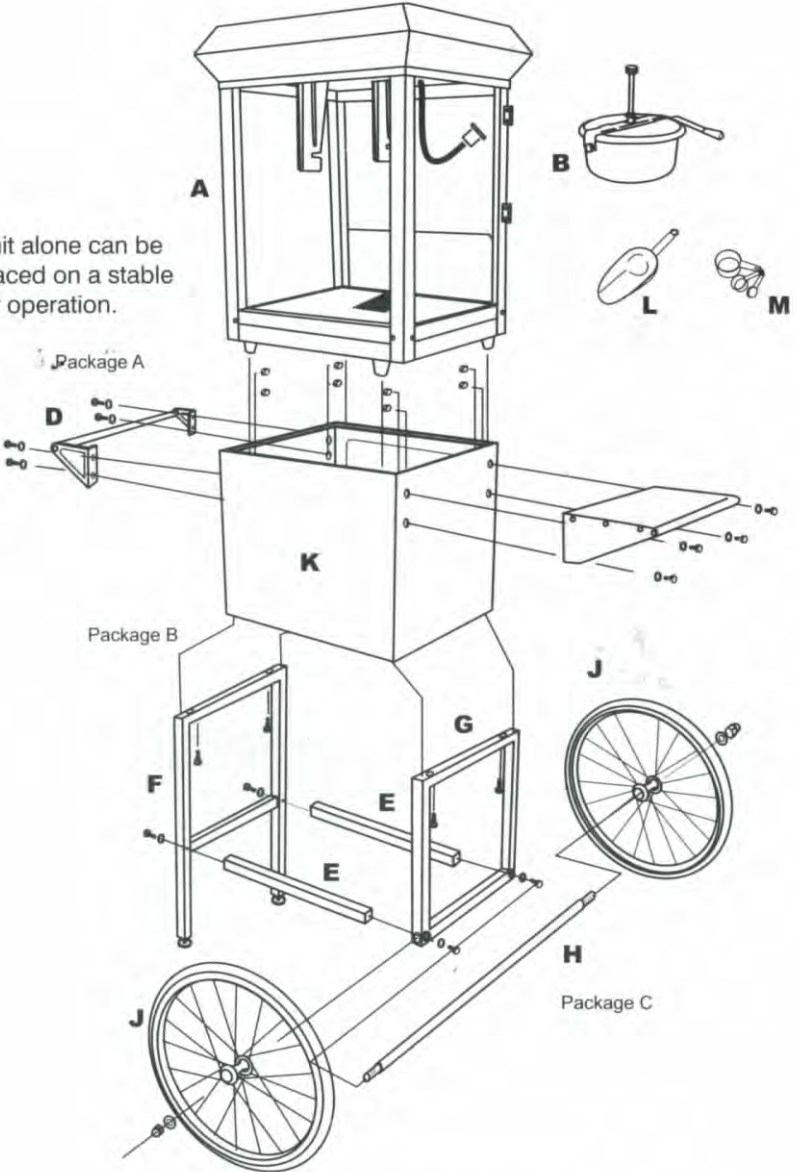
4OZ PARTS LIST

- A. Main unit (1)
- B. Popping pot (1)
- D. Hand rail (1)
- E. Square pole (2)
- F. Long stand (1)
- G. Short stand (1)
- H. Wheel axis (1)
- J. Wheels (2)
- K. Storage cabinet (1)
- L. Popcorn scoop (1)
- M. Measuring cup set
- N. Parts box which includes
 - a. Package A (plated bolts/nuts/washers [8 each])
 - b. Package B (bolts/washers [8 each])
 - c. Package C (metal sleeves/nuts with round cap/washers [2 each])
 - d. Package D (wrench [2])

**Note: See next page
for assembly diagram.**

4OZ POPPER ASSEMBLY

Note: Main unit alone can be used when placed on a stable countertop for operation.



ASSEMBLY INSTRUCTIONS

6OZ POPPER ASSEMBLY

Models: Voltage: AC 120V-60Hz Input Power: 600W

6102 6 oz Foundation Black Full

6103 6 oz Foundation Red Full

6104 6 oz Foundation Blue Full

6106 6 oz Foundation Black Top

6107 6 oz Foundation Red Top

6108 6 oz Foundation Blue Top

1. Use bolts & washers (Package B) provided to connect the long stand (F) and the 2 pc. square pole (E) together.
2. Connect the completed Step 1 (above) with the short stand (G) by the bolts & washers (Package B).
3. Insert axle (H) into short stand (G). Place sleeves and washers (Package C) onto each side of wheels (J) and then fix with round cap nuts by using the wrenches provided (Package D).
4. For more convenient assembly, turn the storage cabinet (K) upside down. Insert both ends of the short and long stand onto the bottom of (H) and attach by bolts (Package B).
5. Turn the completed unit back to its upright position. Install the handrail (D) onto the left hand side and the working platform (C) on the right hand side by the nuts and bolts with washers included in Package A.
6. Place the main unit (A) onto the top side of the storage cabinet.
7. Place the pot (kettle, B) onto the hanger. (**Note:** Roller bar should be on the door side and also check if gears between pot and ceiling are perfectly matched).
8. Connect the power plug from the main unit ceiling with the socket on the bottom of the pot.
9. Open the door of the storage cabinet and release the two spring shafts beneath the main unit in order to fix the main unit to the storage base.

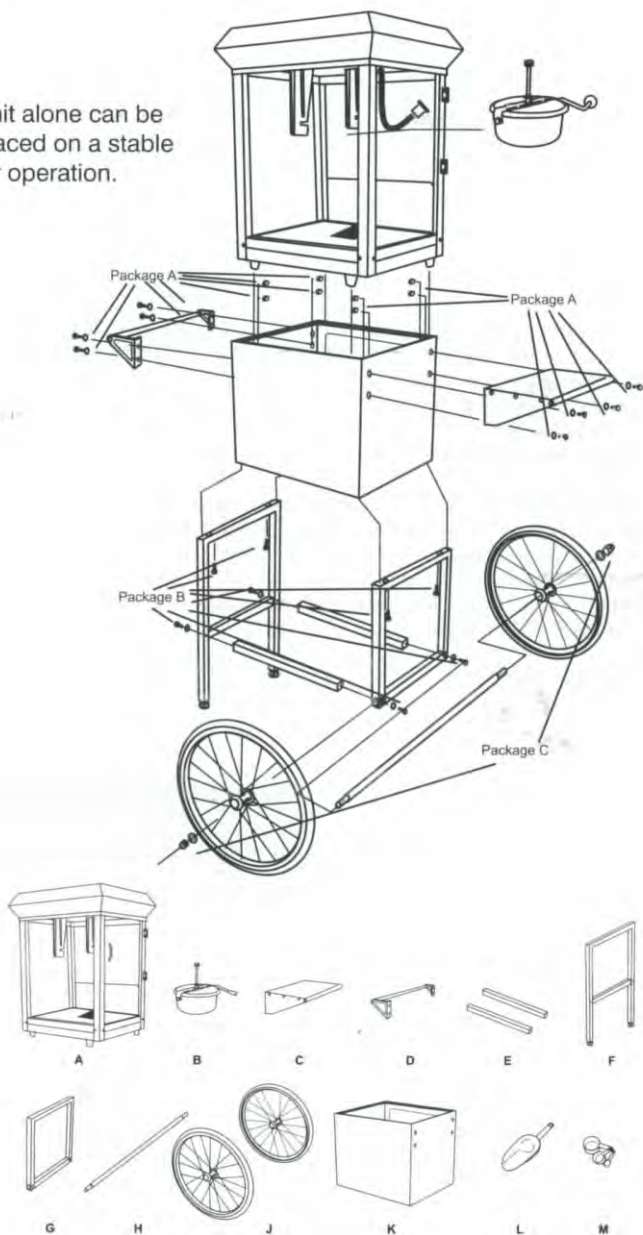
6OZ PARTS LIST

- A. Main unit (1)
- B. Popping pot (1)
- C. Working platform (1)
- D. Hand rail (1)
- E. Square pole (2)
- F. Long stand (1)
- G. Short stand (1)
- H. Wheel axis (1)
- J. Wheels (2)
- K. Storage cabinet (1)
- L. Popcorn scoop (1)
- M. Measuring cup set
- N. Parts box which includes
 - A. Package A (plated bolts/nuts/washers [8 each])
 - b. Package B (bolts [8 each], washers [4 each])
 - c. Package C (nuts with round cap/washers [2 each])
 - d. Package D (wrench [2])

Note: See next page
for assembly diagram.

6OZ POPPER ASSEMBLY

Note: Main unit alone can be used when placed on a stable countertop for operation.



ASSEMBLY INSTRUCTIONS

8OZ POPPER ASSEMBLY

Models: Voltage: AC 120V-60Hz Input Power: 860W

6096 8 oz Foundation Black Full
6097 8 oz Foundation Red Full
6098 8 oz Foundation Blue Full
6128 All Star GNP-800 Red Full

6099 8 oz Foundation Black Top
6100 8 oz Foundation Red Top
6101 8 oz Foundation Blue Top
6129 All Star GNP-850 Red Top

1. Use bolts & washers (Package B) provided to connect the long stand (F) and the 2 pc. square poles (E) together.
2. Connect the completed Step 1 (above) with the short stand (G) by the bolts & washers (Package B).
3. Insert axle (H) into short stand (G). Place washers (Package C) onto each side of wheels (J) and then secure with round cap nuts by using the wrenches provided (Package D).
4. For more convenient assembly, turn the storage cabinet (K) upside down. Insert both ends of the short and long stand onto the bottom of (H) and attach by bolts (Package B).
5. Turn the completed unit back to its upright position. Install the handrail (D) onto the left hand side and the working platform (C) on the right hand side by the nuts and bolts with washers included in Package A.
6. Place the main unit (A) onto the top side of the storage cabinet.
7. Place the pot (kettle, B) onto the hanger. (**Note:** Roller bar should be on the door side and also be sure that gears between pot and ceiling are perfectly matched).
8. Connect the power plug from the main unit ceiling with the socket on the bottom of the pot.
9. Open the door of the storage cabinet and release the spring shaft beneath the main unit in order to fix the main unit to the storage base.

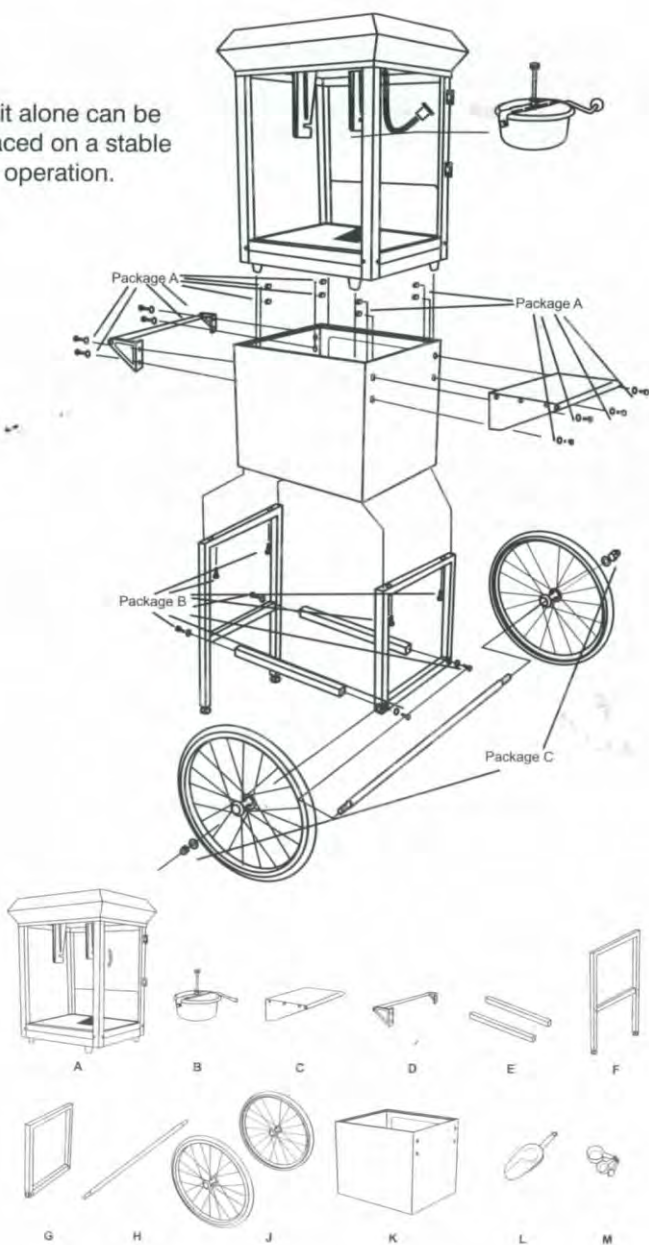
8OZ PARTS LIST

- A. Main unit (1)
- B. Popping pot (1)
- C. Working platform (1)
- D. Hand rail (1)
- E. Square pole (2)
- F. Long stand (1)
- G. Short stand (1)
- H. Wheel axis (1)
- J. Wheels (2)
- K. Storage cabinet (1)
- L. Popcorn scoop (1)
- M. Measuring cup set
- N. Parts box which includes
 - a. Package A (plated bolts/nuts/washers [8 each])
 - b. Package B (bolts [8 each], washers [4 each])
 - c. Package C (nuts with round cap/washers [2 each])
 - d. Package D (wrench [2])

Note: See next page
for assembly diagram.

8OZ POPPER ASSEMBLY

Note: Main unit alone can be used when placed on a stable countertop for operation.



OPERATING PROCEDURES

Please Note: If you are using your popper for the first time, clean the interior of the glass surfaces and wipe the inside of your popper with a clean damp sponge before heat is applied. Please follow these procedures for the best operating results and long machine life.

1. Place the corn popper on a dry, level surface. Protect from rain and other weather elements. Do not install near pool or water. Plug the unit into a suitable grounded electrical outlet. (Please check the electrical specs. Be sure that your power source matches the rating label specified next to the power cord).
2. The Main unit will have either 2 function switches or 3 function switches depending upon which model you have purchased. 4oz machines and Popcorn Anytime machines have 2 function switches.
3. Hook the stainless steel pot onto the hanger of the main unit. (**Note:** Roller bar should be on the door side and also check to be sure that the gears between pot and ceiling are perfectly matched).
4. Plug in the power cord to the popcorn maker.
5. Switch the light and heater to ON (I & III) and then add a suitable amount of butter or oil (Fig. 1). While the amount is dependent upon your taste, please do not exceed 1/2oz.

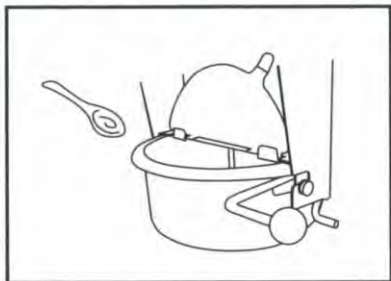


Fig.1

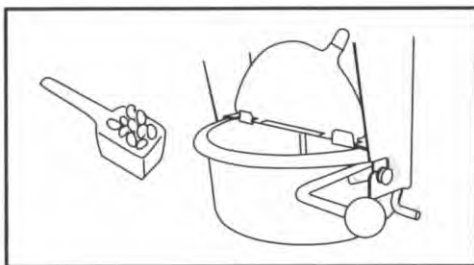


Fig.2

6. Preheat kettle for 3 to 4 minutes with oil added (until steam comes out from the pot). If using The Great Northern Popcorn Co. Gourmet Tri-Pak, cut off top of oil section on pouch and squeeze oil into pot.
Please Note: DO NOT USE LIQUID SUGAR OR HONEY AS THIS MAY DAMAGE KETTLE AND CAUSE SMOKING AND/OR INJURY FROM HOT SUGAR.
7. Next pour popcorn and seasoning from Gourmet Tri-Pak pouch into pre-heated oil. (Fig. 2) If using bulk kernels, measure the amount of corn by using the measuring scoop provided. Use one scoop per batch. Open the lid and add the popcorn. **Caution:** Lid is hot; we recommend wearing oven mitts or potholders. Close lid.

OPERATING PROCEDURES-Continued

8. Switch the Stirrer to ON (II). **Please Note:** 4oz and Popcorn Anytime machines can skip this step. (Fig. 3)
9. Close the doors on the main unit carefully.
10. Popcorn starts popping out through the lid after about 2 to 3 minutes. (Fig. 4)
11. When popping stops (no more popping sound from pot), switch the stirrer and pot heater to OFF (II & III) Popping is completed. Rotate the roller bar of the pot and pour out all remaining popcorn. Gently shake if necessary.
12. Heater switch (III) must remain OFF if the unit is not popping. Only the spot light warmer should be left ON, this will keep the popcorn warm, dry and tasty for a longer period of time.
13. Serve popcorn with scoop provided. **Note:** Do not add butter or other liquid flavoring in main unit popcorn bin. Avoid a big mess!-Remove popcorn to suitable serving bowl or popcorn before adding this type of flavoring.
14. Always remove plug from power supply before cleaning and if the unit is not being used for a period time.
15. Repeat steps 7-10 to continue popping.

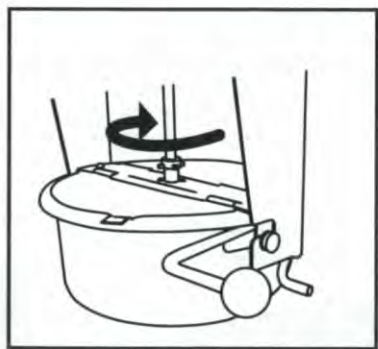


Fig.3

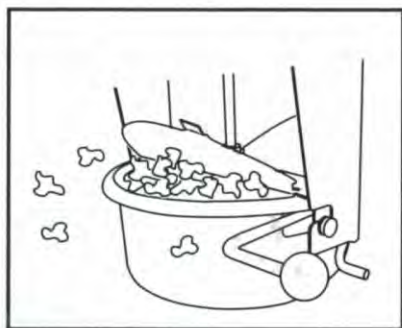


Fig.4

Use the following chart for popcorn batches depending upon your machine size:

Machine Size	Unpopped corn by weight
4oz	4oz
6oz	6oz
8oz	8oz

CLEANING AND MAINTENANCE



CAUTION

- After popping cycle is complete, the popping pot will be very hot. Use extreme care when handling.
 - Remember to turn the heat switch to the OFF position after the finish of the pop cycle.
 - Unplug unit *BEFORE* removing heat pot from hanger. Use caution not to bump heat lamp bulb during pot removal.
- To maintain quality taste and popping conditions in your popper, we recommend that you thoroughly clean the heat pot after using 3 to 4 times or before prolonged periods of storage.
- Switch OFF (II & III). Pour 6 to 10 oz. of water (NO detergent is necessary) into inner pot.
 - Switch ON the stirrer (II) and heater (III) to boil the water and allow the stirrer to rotate that will help remove debris on kettle surface. Pour out the water after about 1 to 2 minutes of boiling.
- Caution:** Hot kettle! Handle with oven mitts. Keep children at a safe distance from popper during procedure.
- Repeat the same procedure 2 to 3 times to get the best result.
 - Switch OFF the machine and wait for the popping pot to cool. Clean the inside and outside of the pot by brush and wet towel. **Caution:** DO NOT immerse the heat pot in water.
 - After using the popcorn machine, users should use wet towel to clean up the main unit, main body and glasses; we strongly recommend tidying up the rubbish tray frequently so that there is no food spoilage left behind.

Order Now - For Immediate Delivery
GreatNorthernPopcorn.com

