

# Product & Packaging Specs

## 4" Standard Rafter Clips (RC-LS-4)

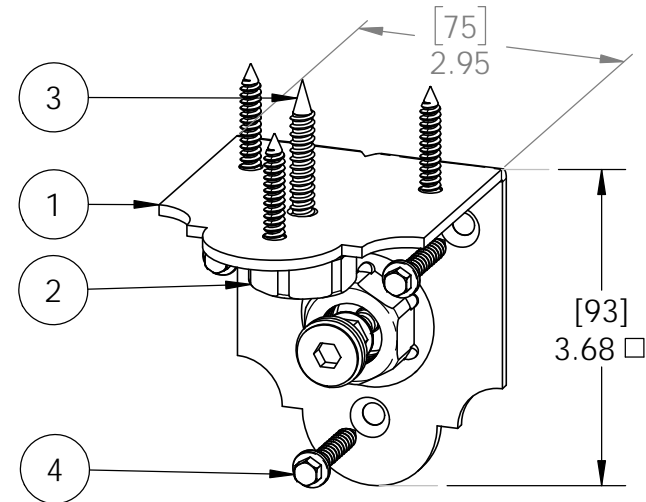
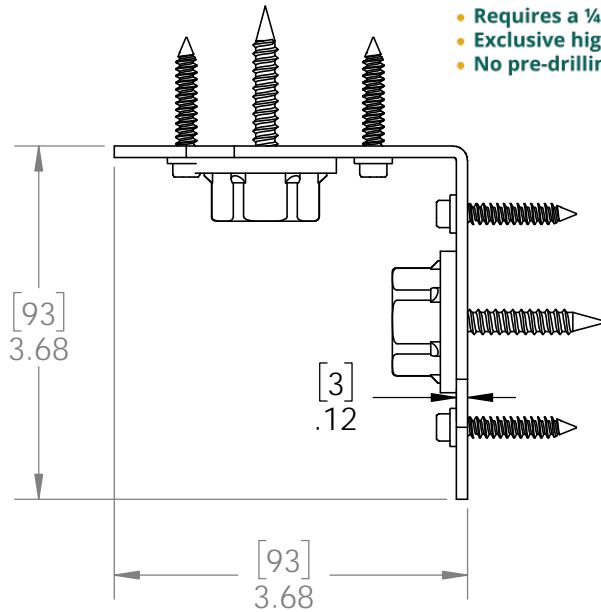
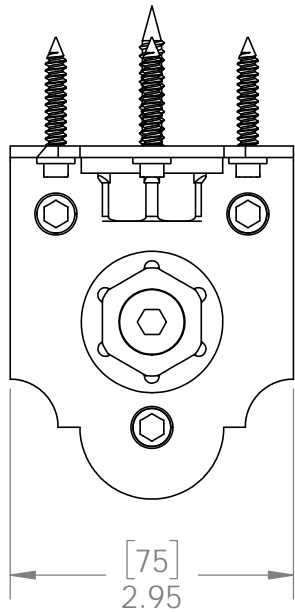
Item #: 56618

This Package Includes



- Requires a 1/4" hex driver bit
- Exclusive high friction design
- No pre-drilling required

ITEM NO.	QTY.	PART NUMBER	DESCRIPTION
1	1	56618-11	Clip, 4" Rafter
2	0.2	56621	1 1/2" Hex Cap Nut (HCN)
3	0.08	56625	OWT Timber Screw 1-3/4"
4	6	80060	Screw, 1-1/2"x1/4" Black Hex-Head (1-1/2-HX-SCR)



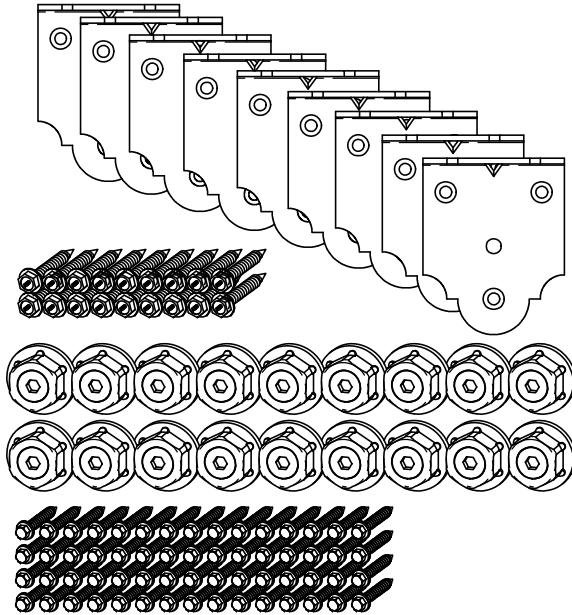
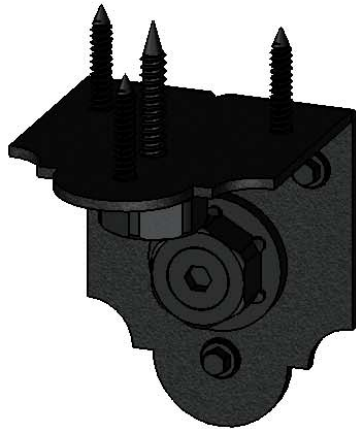
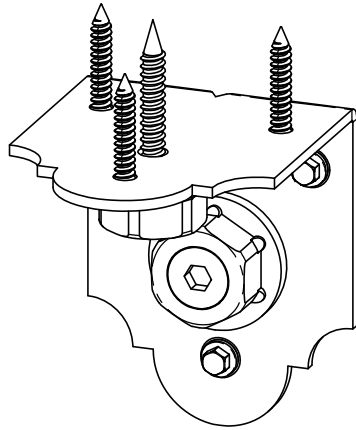
Weight: 0.71 LBS  
 Scale: 1:2  
 Last updated: 10/10/2016

revision B adds 6 screws

# Product & Packaging Specs

## 4" Standard Rafter Clips (RC-LS-4)

Item #: 56618



Weight: 0.71 LBS  
 Scale: 1:2  
 Last updated: 10/10/2016

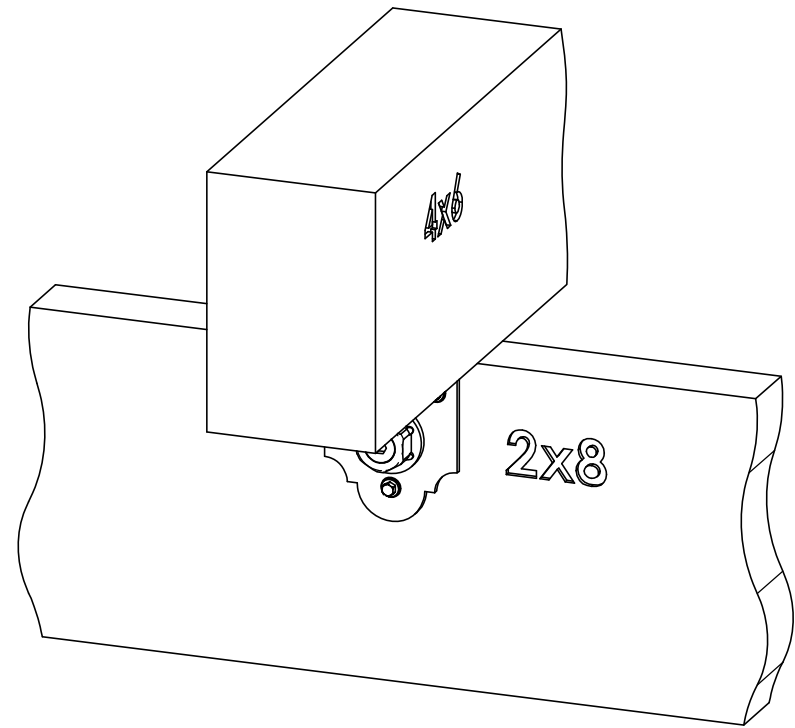
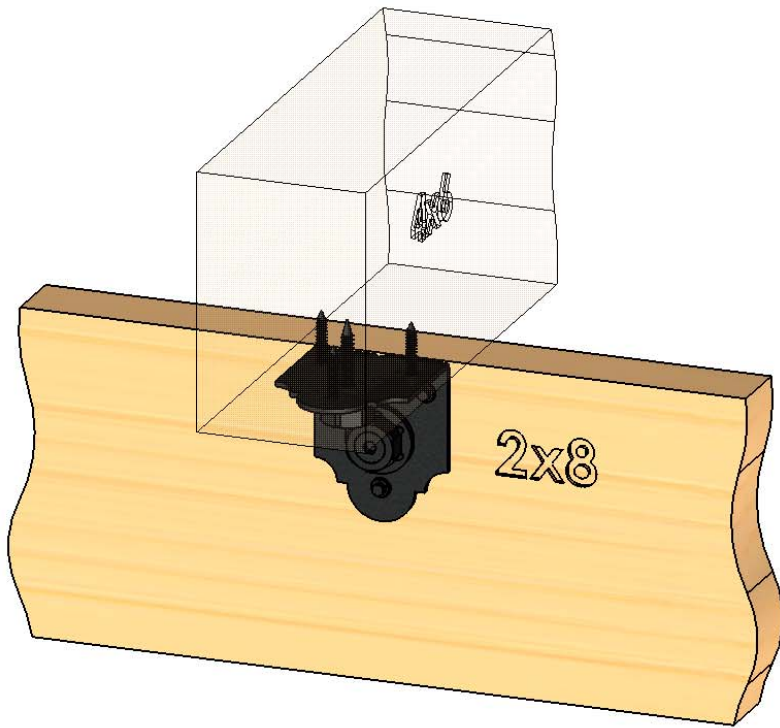
**56618-10**

revision B adds 6 screws

# Product & Packaging Specs

## 4" Standard Rafter Clips (RC-LS-4)

Item #: Typical Installation & Basic Assembly



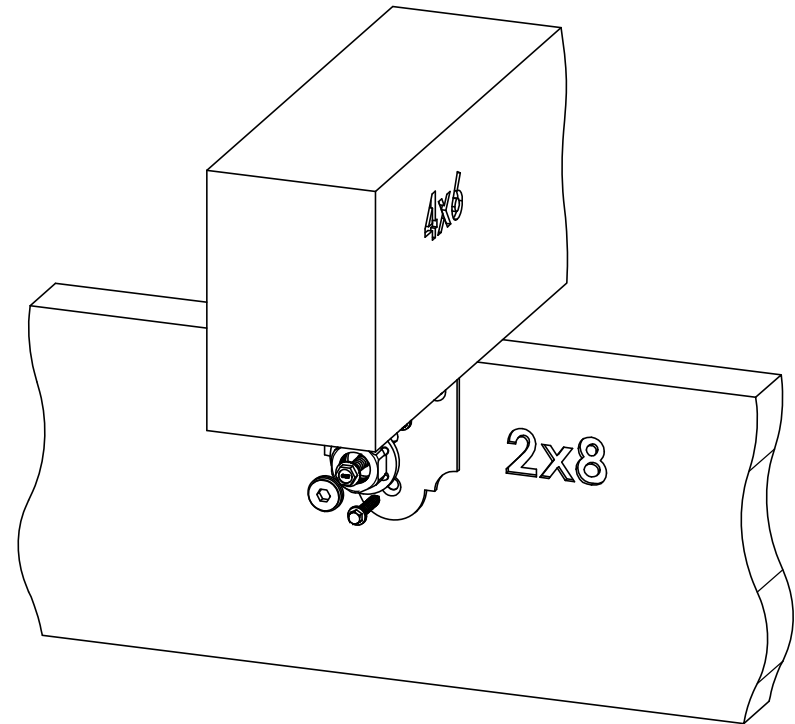
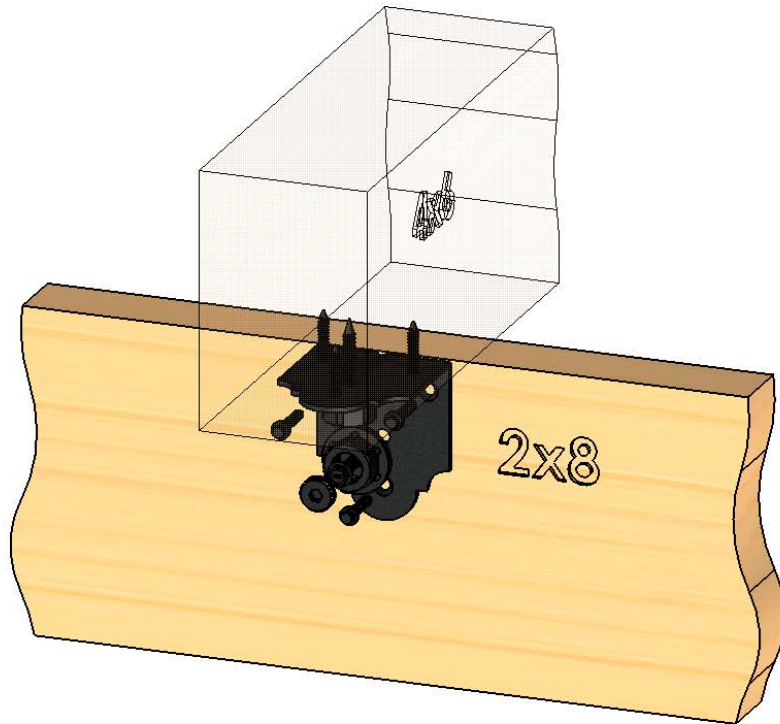
Weight: 0.71 LBS  
Scale: 1:4  
Last updated: 10/10/2016

56618-10

# Product & Packaging Specs

## 4" Standard Rafter Clips (RC-LS-4)

Item #: Typical Installation & Basic Assembly



Weight: 0.71 LBS  
Scale: 1:4  
Last updated: 10/10/2016

56618-10

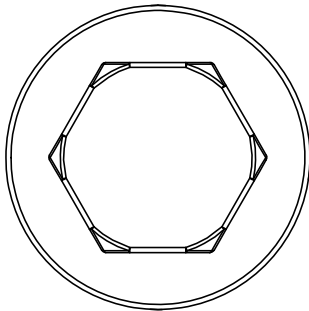


OZCO BUILDING PRODUCTS

This Package Includes



- Requires a 1/4" hex driver bit
- Exclusive high friction design
- No pre-drilling required

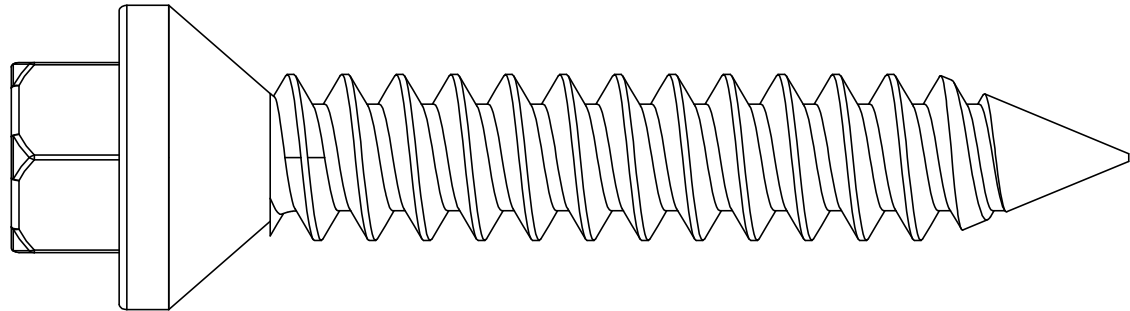
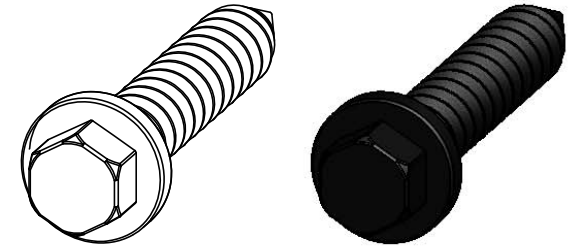


# Product & Packaging Specs

## Screw, 1-1/2"x1/4"

### Black Hex-Head (1-1/2-HX-SCR)

Item #: 80060



Material: Plain Carbon Steel  
Finish: Black Zinc  
Weight: 0.01 LBS  
Scale: 4:1  
Last updated: 10/10/2016

56618-10

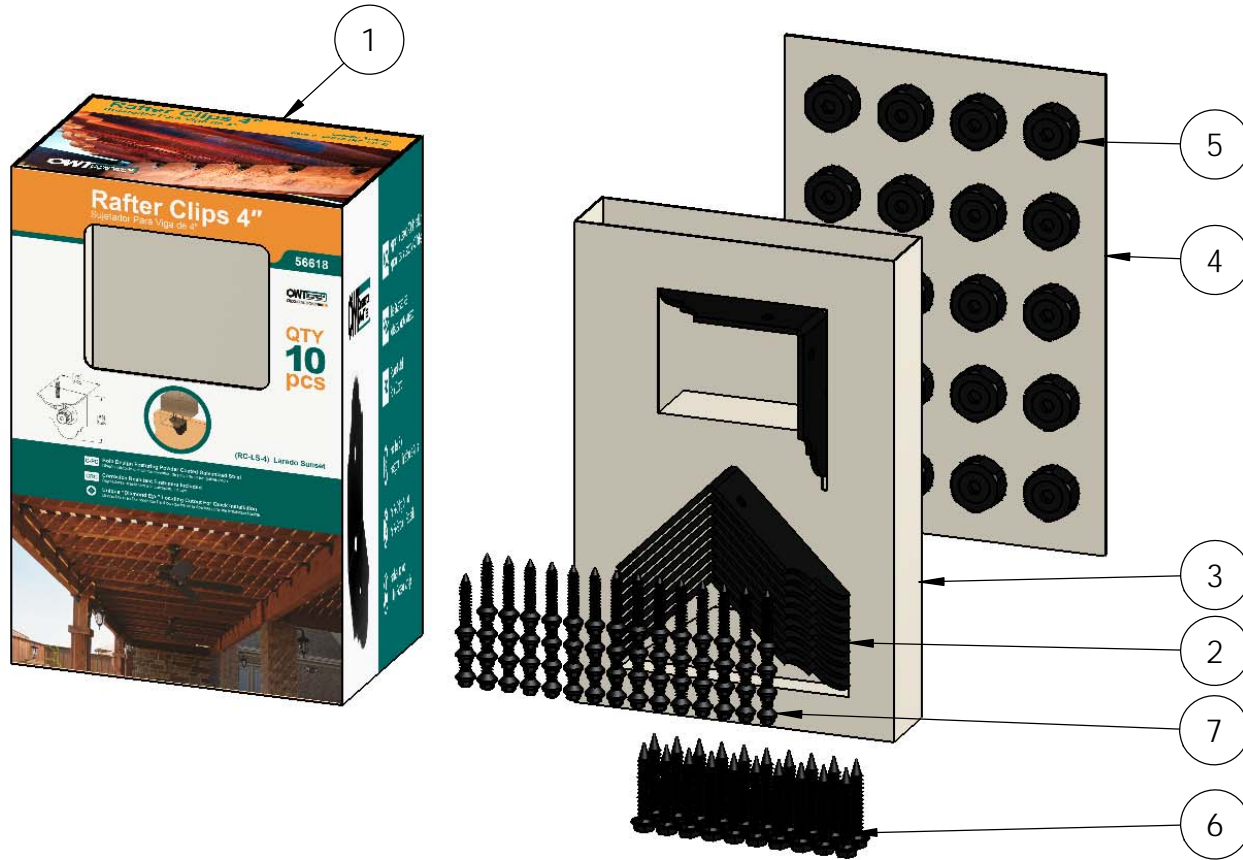
for additional details, see drawing #80060

V2.00 - Installation Instructions, Specifications and Project Plans are effective 10/10/2016 . This information is updated periodically 7 and should not be relied upon after 2 years from 10/10/2016 . Please visit OZCOBP.com to get current information.

# Product & Packaging Specs

## 56618 Packing

Item #: Box packing



ITEM NO.	QTY.	PART NUMBER	DESCRIPTION
1	1	Box, 56618	Box, 56618 packing
2	10	56618-11	Clip, 4" Rafter
3	1	Insert, 56618	Insert, 56618
4	1	Insert, 56618	Insert, 56618
5	2	56621	1 1/2" Hex Cap Nut (HCN)
6	0.8	56625	OWT Timber Screw 1-3/4"
7	60	80060	Screw, 1-1/2"x1/4" Black Hex-Head (1-1/2-HX-SCR)

revision B adds 6 screws

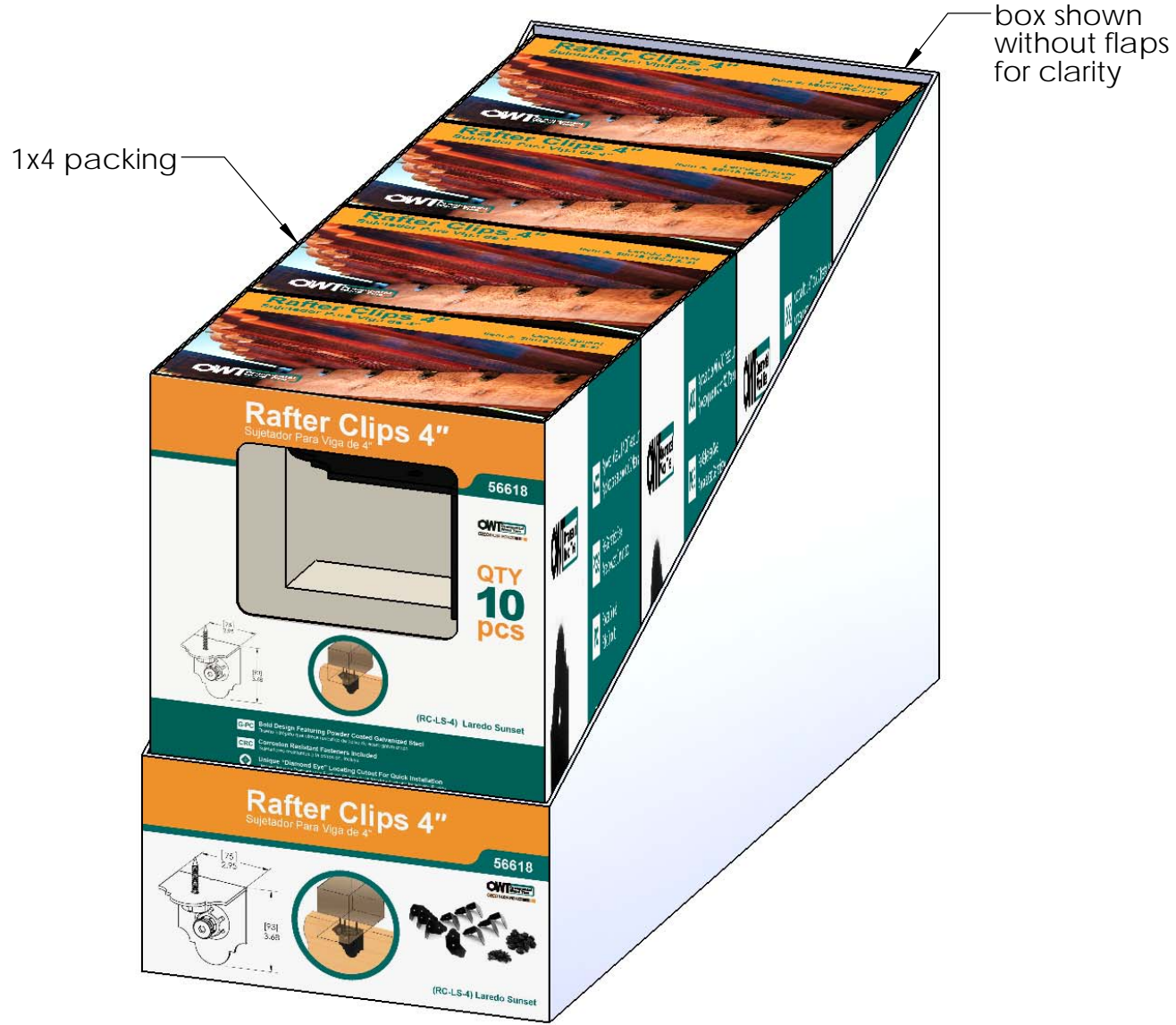
Weight: 7.20 LBS  
 Scale: 1:4  
 Last updated: 10/10/2016

56618-10

# Product & Packaging Specs

## 56618 Packing

Item #: Case packing



Weight: 31.92 LBS  
 Scale: 1:3  
 Last updated: 10/10/2016

**56618-10**



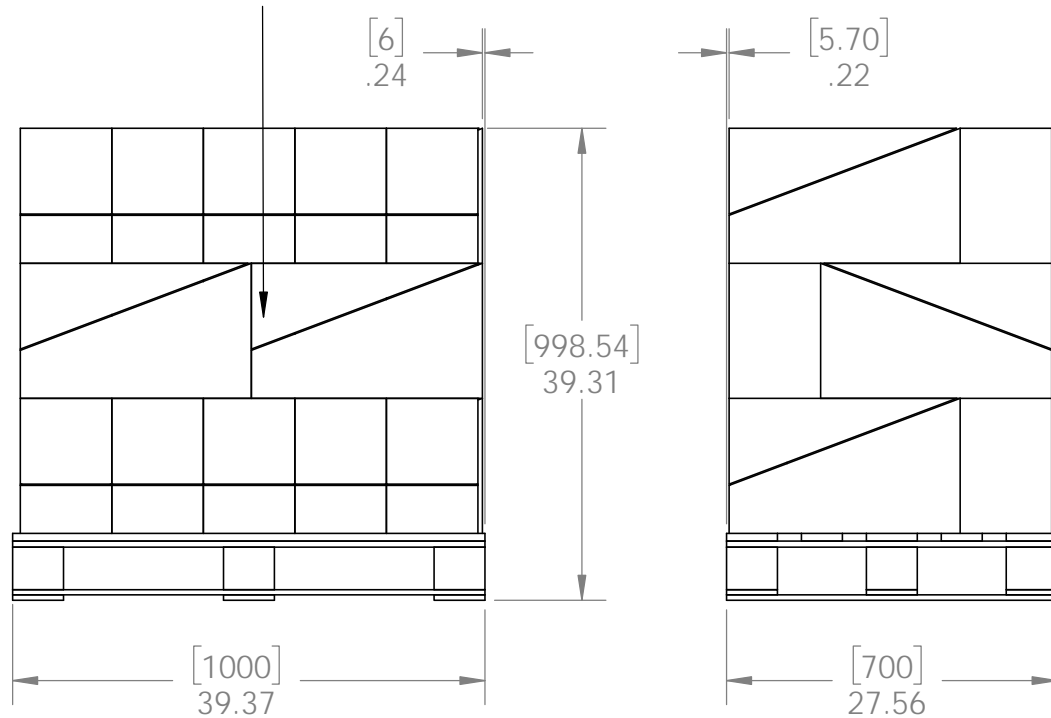
OZCO BUILDING PRODUCTS

# Product & Packaging Specs

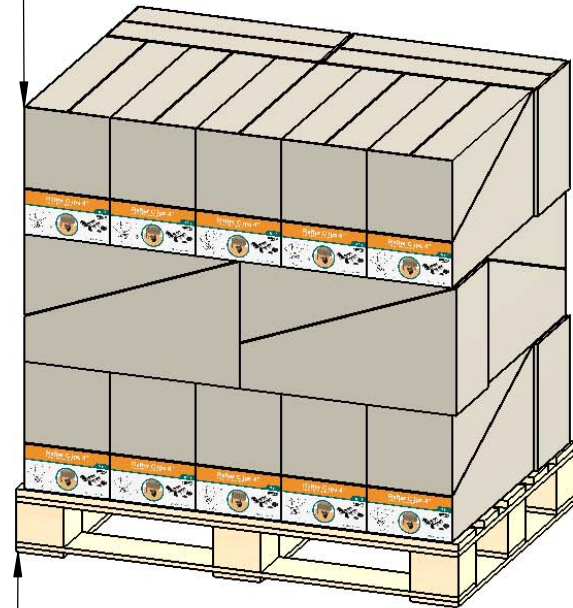
## 56618 Packing

Item #: Pallet packing

Item #: **56618** | **RC-LS-4**  
 4" Rafter Clips LS  
**PALLET** | **84 pcs**  
 sku#: **56818**   
 Weight: **721 lbs**  
 LOT# \_\_\_\_\_ Priority# \_\_\_\_\_ 



Total number of cases: 21  
 Total number of pieces:  
 21x4=84 pieces on pallet



1 pallet



additional pallet packing instructions

- plywood on top layer
- strap to pallet
- clear wrap around boxes

Weight: 721 LBS  
 Scale: 1:16  
 Last updated: 10/10/2016

56618-10