

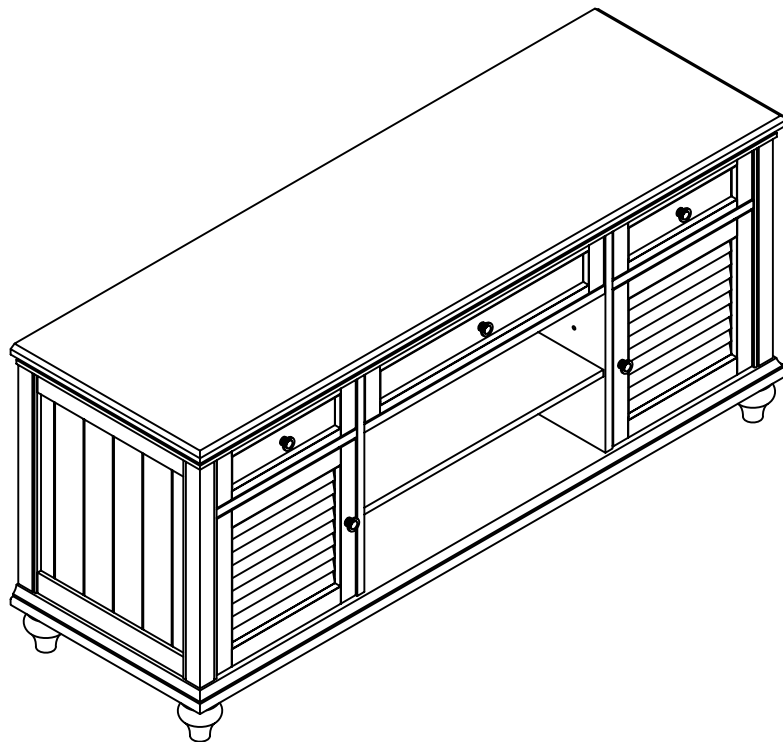
HOME DECORATORS COLLECTION

1002949551 1002949550
1002949553 1002949552

SK19034R2 HAMILTON TV STAND 26"Hx59"Wx19"D

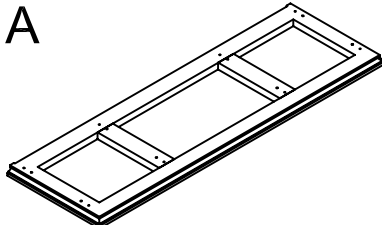
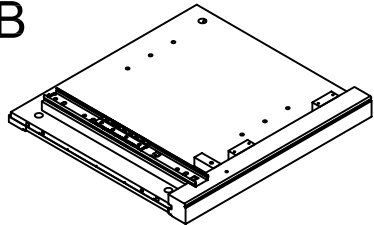
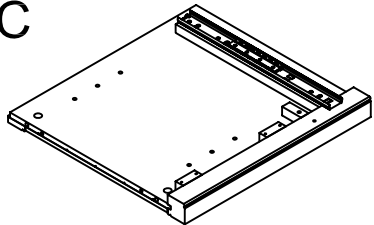
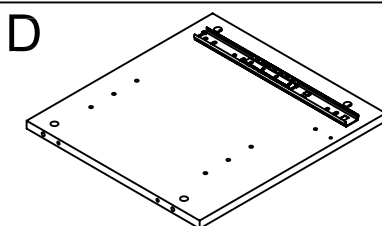
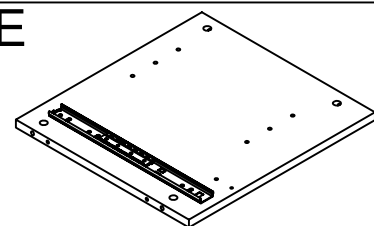
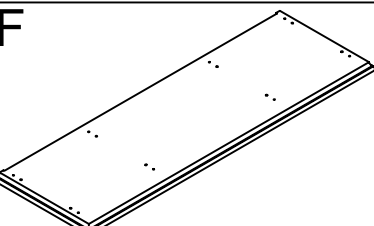
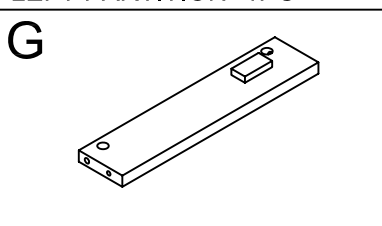
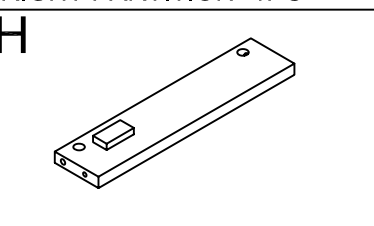
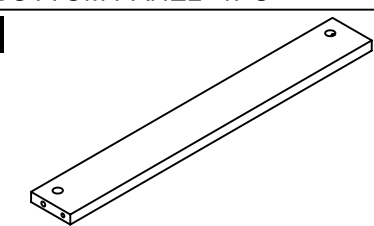
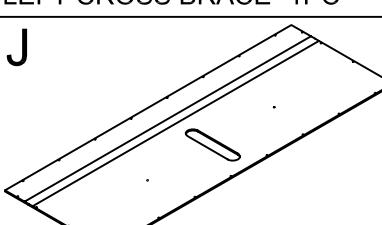
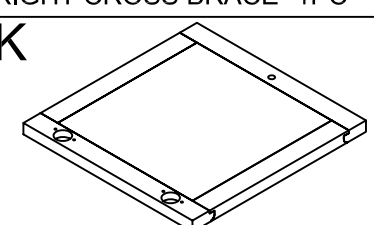
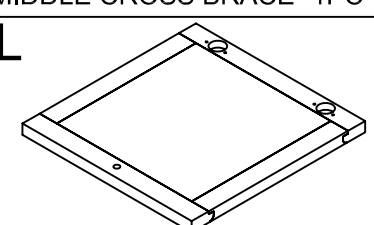
ASSEMBLY INSTRUCTIONS

Made In China

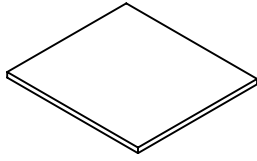


Thank you for purchasing this quality product. Be sure to check all packing material carefully for small parts, which may have come loose inside the carton during shipment. Count all parts and material hardware, then compare with parts list to be sure all parts are present. If any parts are missing or damaged, please contact our Customer Service Department for efficient and speedy service. Please indicate the model number and code letter of part(s) needed.

IMPORTANT NOTE: Follow instructions listed below in proper sequence as numbered to assure fast, easy and correct assembly.

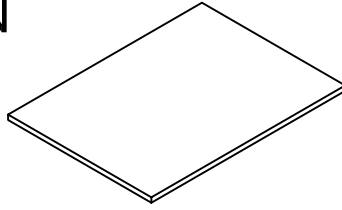
PARTS LIST		
A 	B 	C 
TOP PANEL -1PC	LEFT SIDE PANEL -1PC	RIGHT SIDE PANEL -1PC
D 	E 	F 
LEFT PARTITION -1PC	RIGHT PARTITION -1PC	BOTTOM PANEL -1PC
G 	H 	I 
LEFT CROSS BRACE -1PC	RIGHT CROSS BRACE -1PC	MIDDLE CROSS BRACE -1PC
J 	K 	L 
BACK PANEL -1PC	LEFT DOOR -1PC	RIGHT DOOR -1PC

M



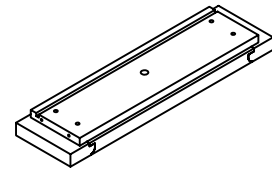
SIDE ADJUSTABLE SHELF
-2PCS

N



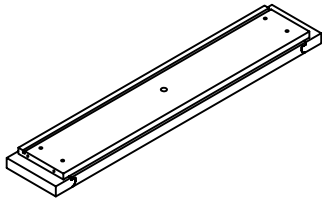
MIDDLE ADJUSTABLE SHELF
-1PC

O



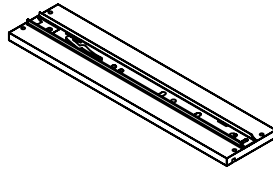
SMALL DRAWER FRONT
PANEL -2PCS

P



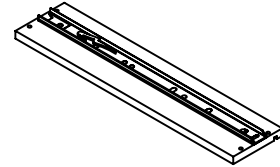
LARGE DRAWER FRONT
PANEL -1PC

Q



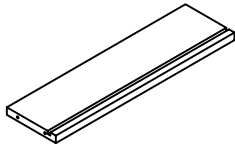
DRAWER LEFT SIDE PANEL
-3PCS

R



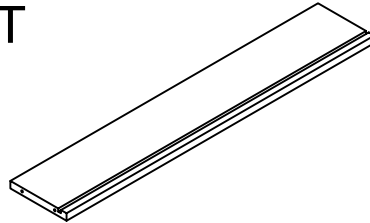
DRAWER RIGHT SIDE PANEL
-3PCS

S



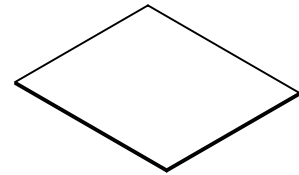
SMALL DRAWER BACK
PANEL -2PCS

T



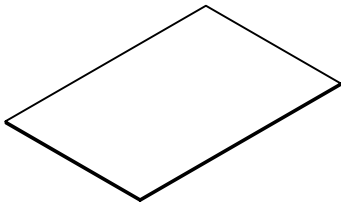
LARGE DRAWER BACK
PANEL -1PC

U



SMALL DRAWER BOTTOM
PANEL -2PCS

V



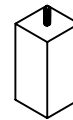
LARGE DRAWER BOTTOM
PANEL -1PC

W



BALL FOOT -4PCS

X



MIDDLE FOOT -1PC

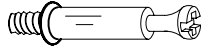
NOTE:THE SURFACE WITH THE STICKER IS THE BACK SIDE

a



WOOD DOWEL-22PCS

b



CAM
LOCK BOLT-22PCS

c



CAM LOCK-22PCS

d



SHORT
PLASTIC COVER-4PCS

e



KNOB-5PCS

f



KNOB BOLT-5PCS

g



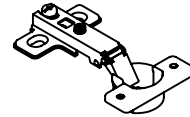
1" FLAT
HEAD SCREW-24PCS

h



SHELF PIN-12PCS

i



HINGE-4PCS

j



5/8" FLAT
HEAD SCREW-16PCS

k



5/8"L ROUND
HEAD SCREW-26PCS

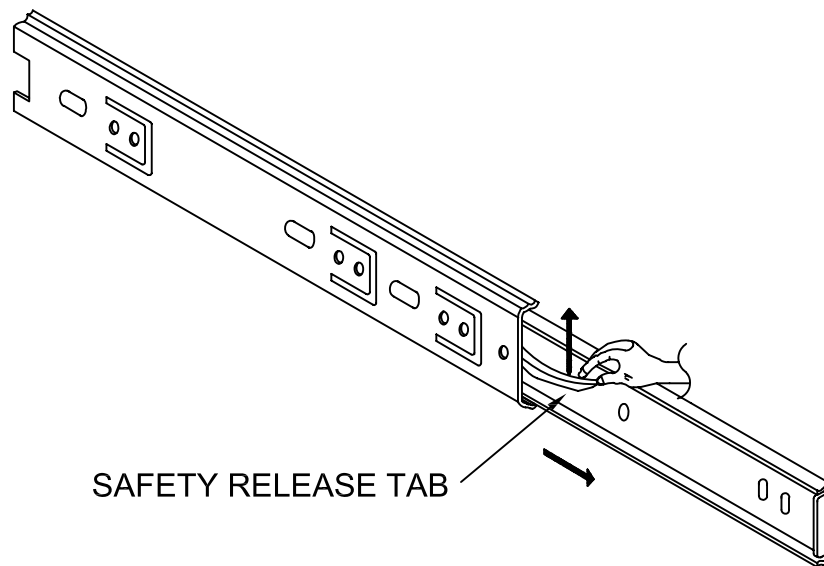
l



LONG
PLASTIC COVER-4PCS

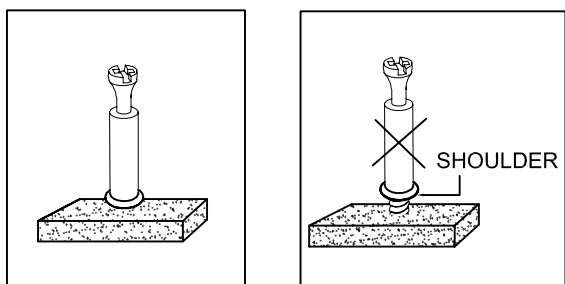
NOTE:THE SURFACE WITH THE STICKER IS THE BACK SIDE

HOW TO SEPARATE GLIDES



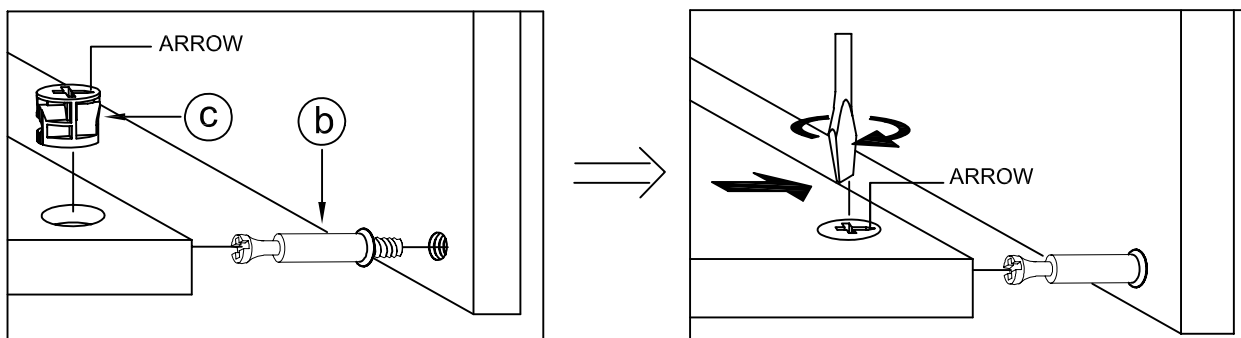
PRIOR TO ASSEMBLY, WE SUGGEST SEPARATING THE INNER GLIDES FROM THE OUTER-GLIDES, SIMPLY PULL THE LEFT/RIGHT INNER GLIDES FROM THE OUTER GLIDES EXPOSING A SMALL BLACK SAFETY RELEASE TAB, BY PUSHING THE SAFETY RELEASE TAB. YOU WILL BE ABLE TO SEPARATE THE GLIDES.

NOTE: • UPON OPENING, THOROUGHLY CLEAN ALL WOOD SURFACES TO REMOVE DUST AND DIRT THAT MAY HAVE SETTLED ONTO THE FINISH DURING SHIPMENT. IN ORDER TO PREVENT DAMAGE DURING ASSEMBLY. PLEASE ASSEMBLE THIS ITEM WITH AT LEAST TWO PEOPLE.



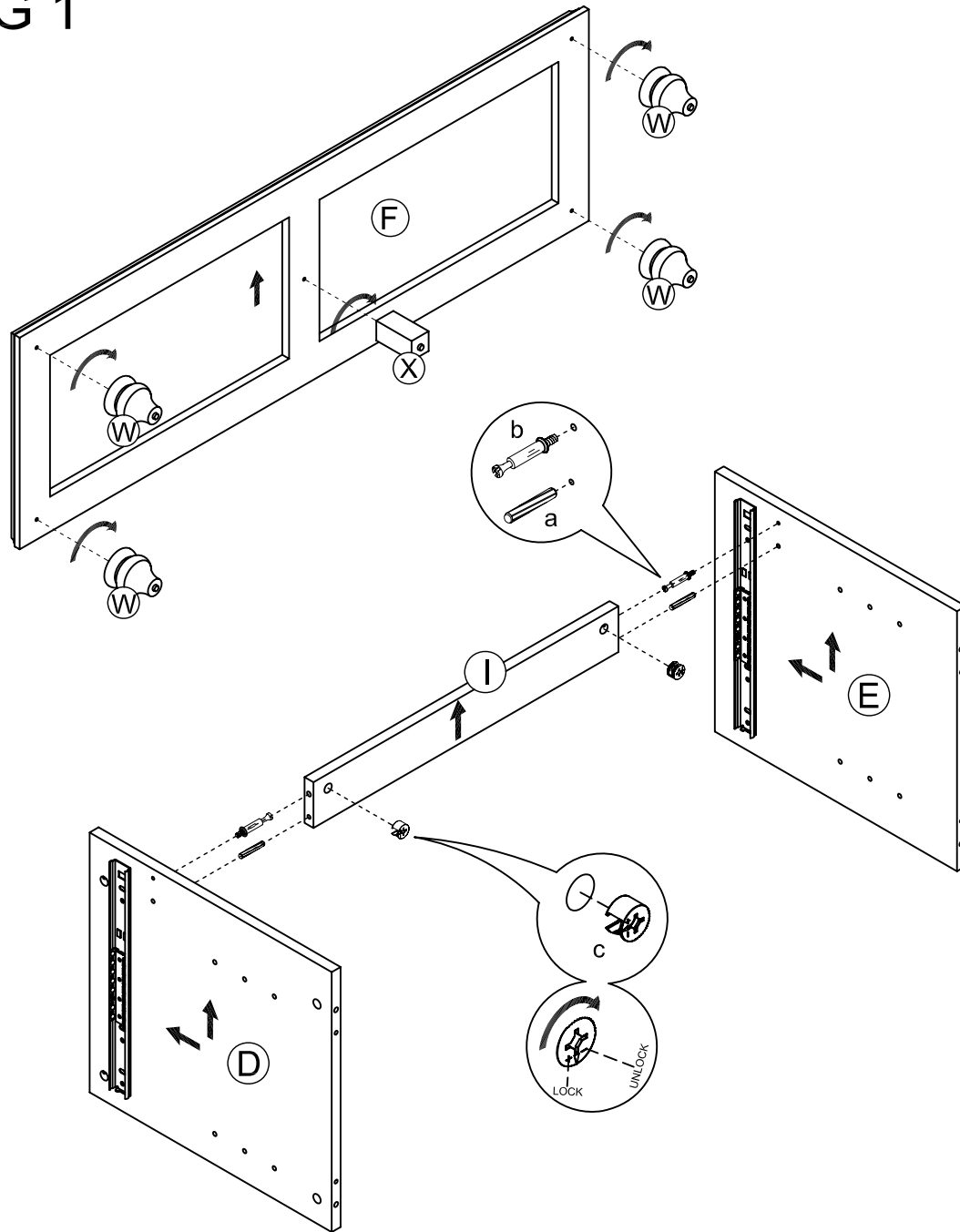
NOTE: TURN THE CAM-BOLT SCREWS UNTIL THEY ARE TIGHT, THE SHOULDER SHOULD BE AGAINST THE SURFACE OF THE PART.

HOW TO USE THE CAM-TOOL



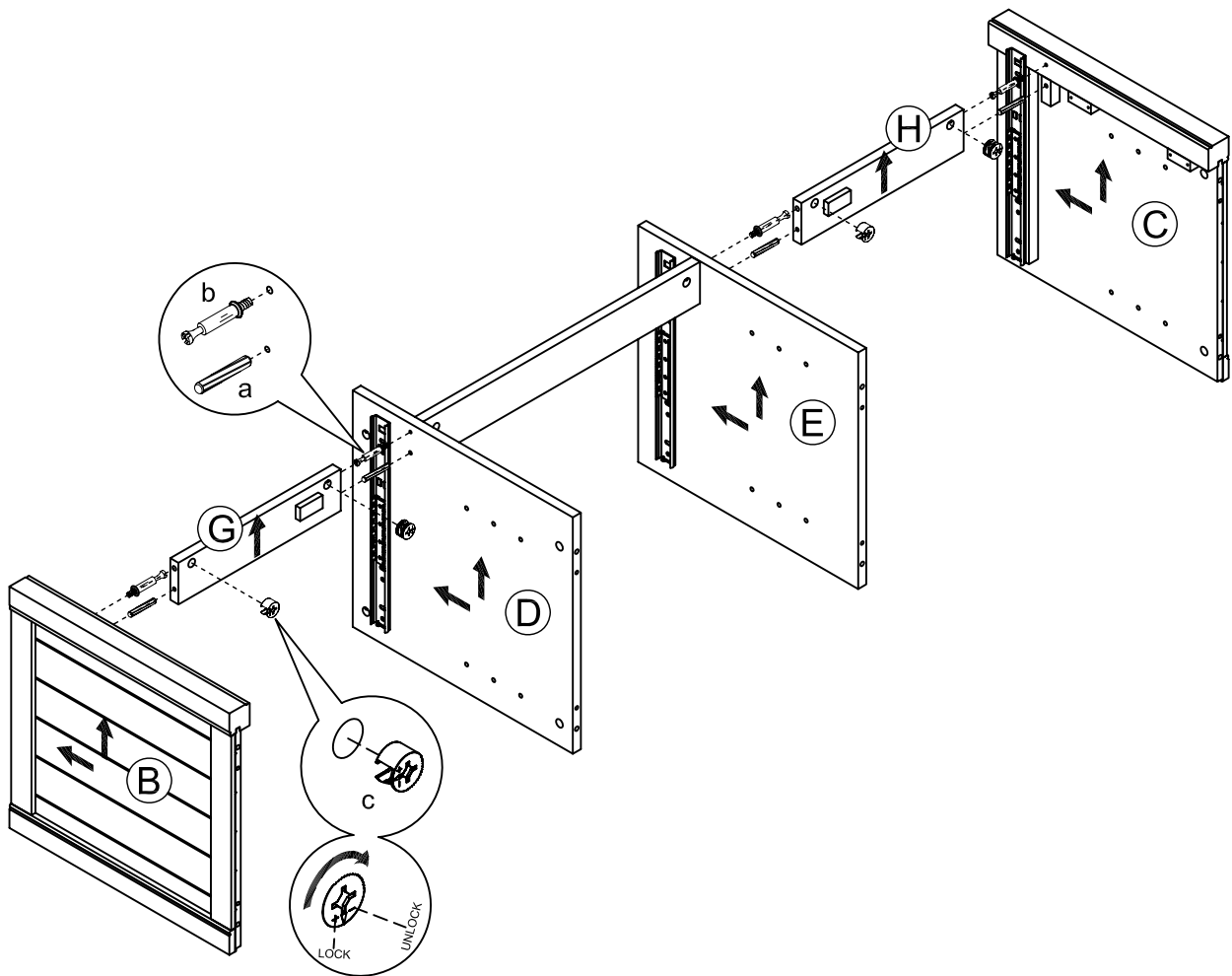
NOTE: • THE ARROWS ON THE HIDDEN CAM-LOCKS SHOULD POINT TO THE CAM-BOLTS.

FIG 1



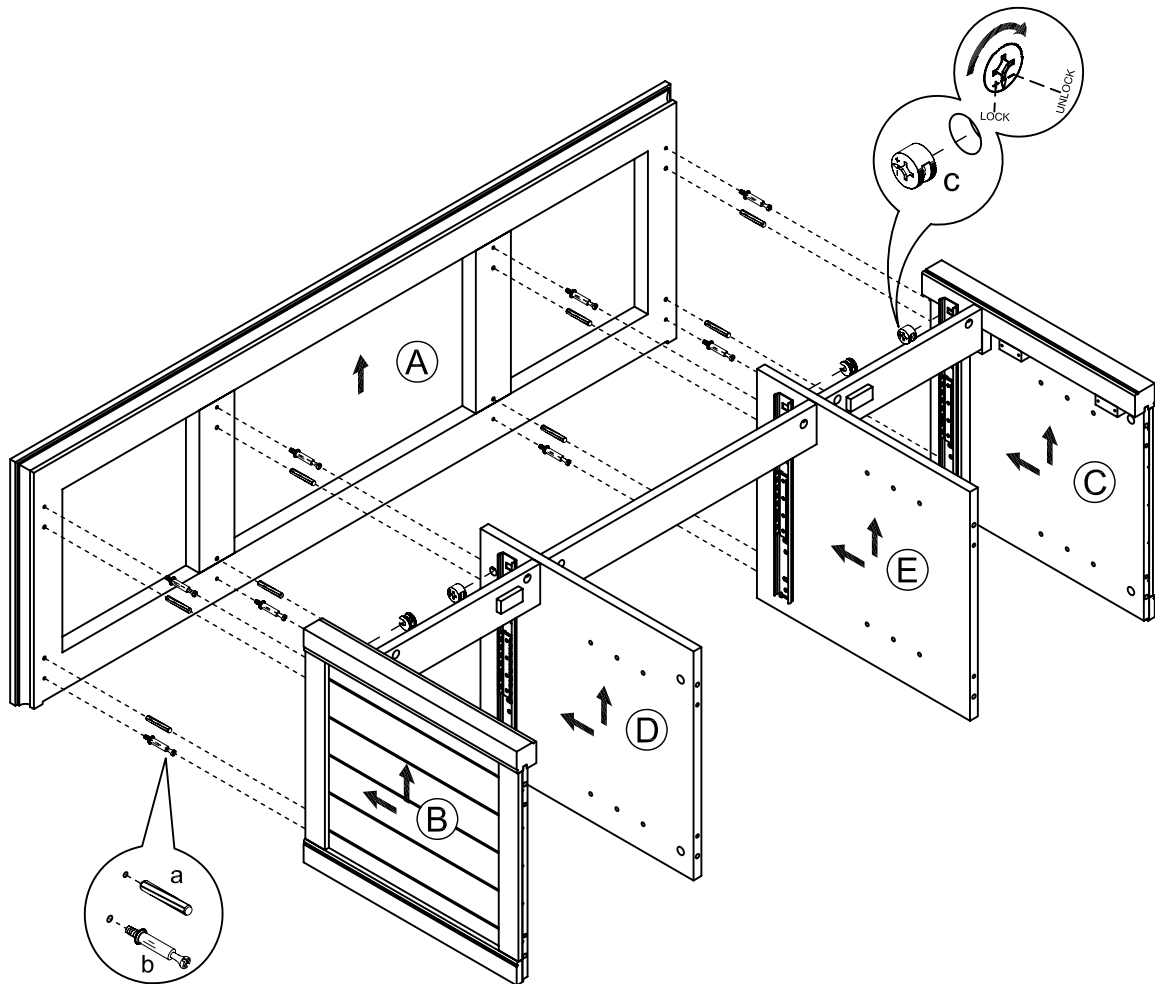
- TIGHTEN THE BALL FOOT (W) AND THE MIDDLE FOOT (X) TO THE BOTTOM PANEL (F) AS SHOWN .
- INSTALL THE WOOD DOWEL (a) AND THE CAM LOCK BOLT (b) INTO THE LEFT PARTITION (D) AND THE RIGHT PARTITION (E).
- JOIN THE MIDDLE CROSS BRACE (I) TO THE LEFT PARTITION (D) AND THE RIGHT PARTITION (E) BY USING WOOD DOWEL (a) FIRST.
- TIGHTEN THE CAM LOCK BOLT (b) BY USING THE CAM LOCK (c) IN PRE-DRILLED HOLES.

FIG 2



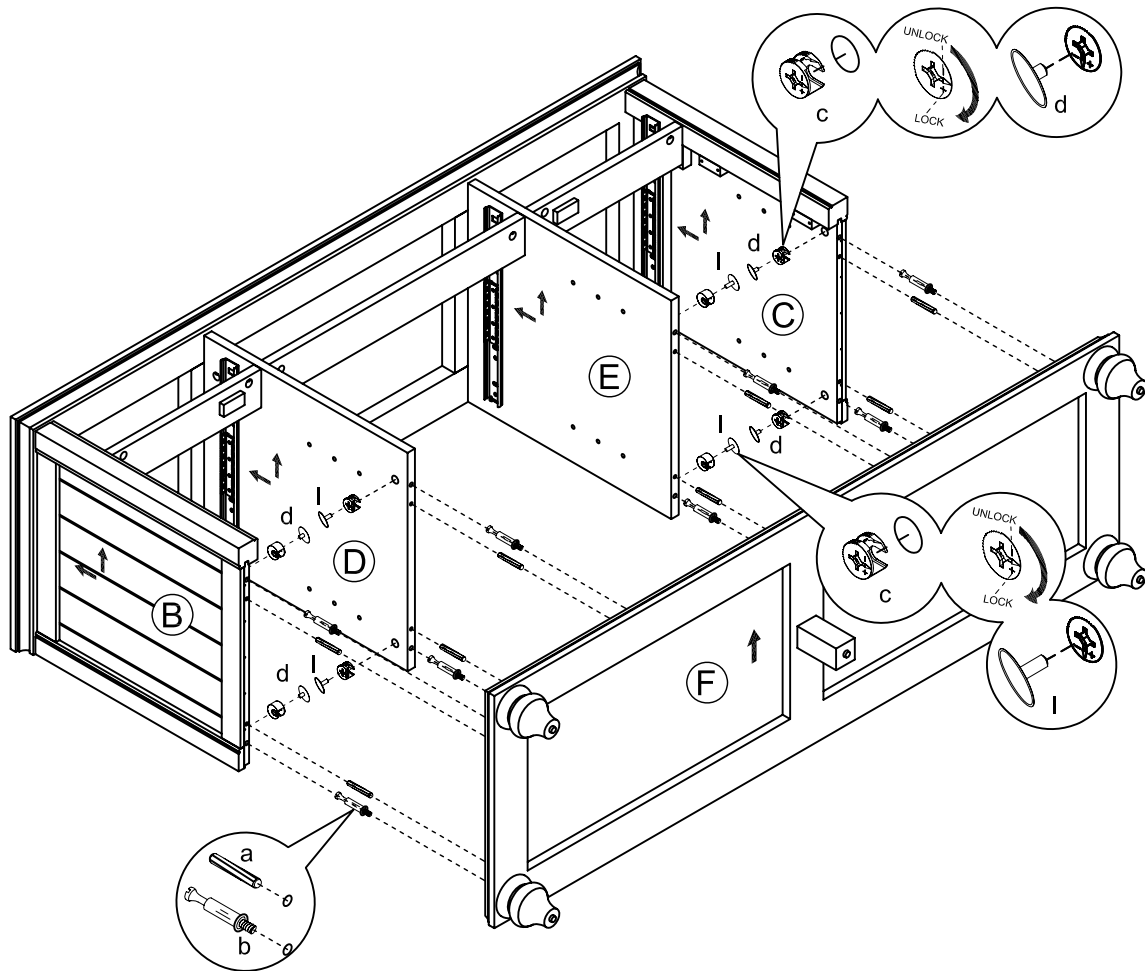
- INSTALL THE WOOD DOWEL (a) AND THE CAM LOCK BOLT (b) INTO THE LEFT PARTITION (D), THE RIGHT PARTITION (E), THE LEFT SIDE PANEL (B) AND RIGHT SIDE PANEL (C).
- JOIN THE LEFT CROSS BRACE (G) AND THE RIGHT CROSS BRACE (H) TO THE LEFT SIDE PANEL (B), THE RIGHT SIDE PANEL (C) AND THE ASSEMBLED PART BY USING WOOD DOWEL (a) FIRST.
- TIGHTEN THE CAM LOCK BOLT (b) BY USING THE CAM LOCK (c) IN PRE-DRILLED HOLES.

FIG 3



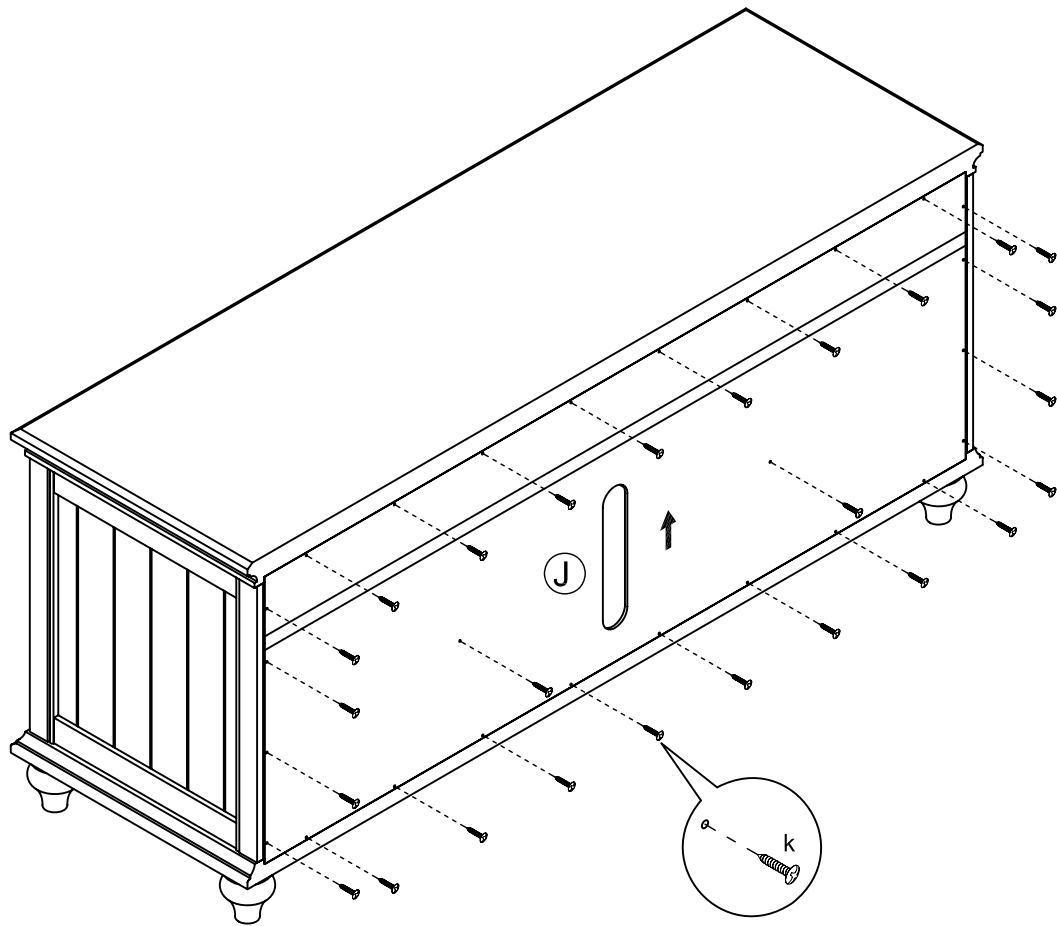
- INSTALL THE WOOD DOWEL (a) AND THE CAM LOCK BOLT (b) INTO THE TOP PANEL (A).
- JOIN THE TOP PANEL (A) TO THE ASSEMBLED PART BY USING WOOD DOWEL (a) FIRST.
- TIGHTEN THE CAM LOCK BOLT (b) BY USING THE CAM LOCK (c) IN PRE-DRILLED HOLES.

FIG 4



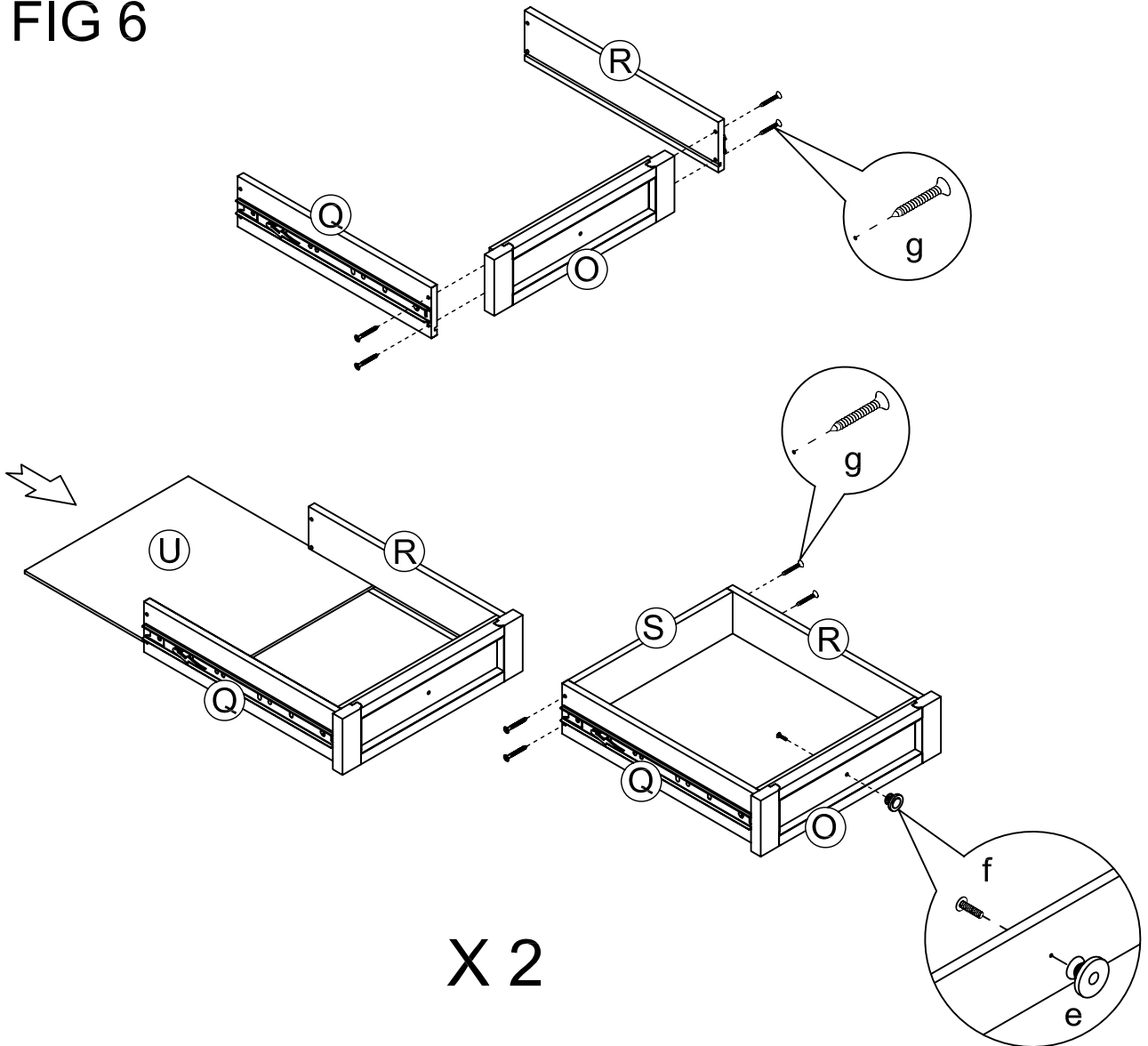
- INSTALL THE WOOD DOWEL (a) AND THE CAM LOCK BOLT (b) INTO THE BOTTOM PANEL (F).
- JOIN THE BOTTOM PANEL (F) TO THE ASSEMBLED PART BY USING WOOD DOWEL (a) FIRST.
- TIGHTEN THE CAM LOCK BOLT (b) BY USING THE CAM LOCK (c) IN PRE-DRILLED HOLES.
- COVER THE CAM HOLES WITH SHORT PLASTIC COVER (d) AND THE LONG PLASTIC COVER (l).

FIG 5



- TIGHTEN THE BACK PANEL (J) BY USING THE 5/8" L ROND HEAD SCREW (k) AS SHOWN.

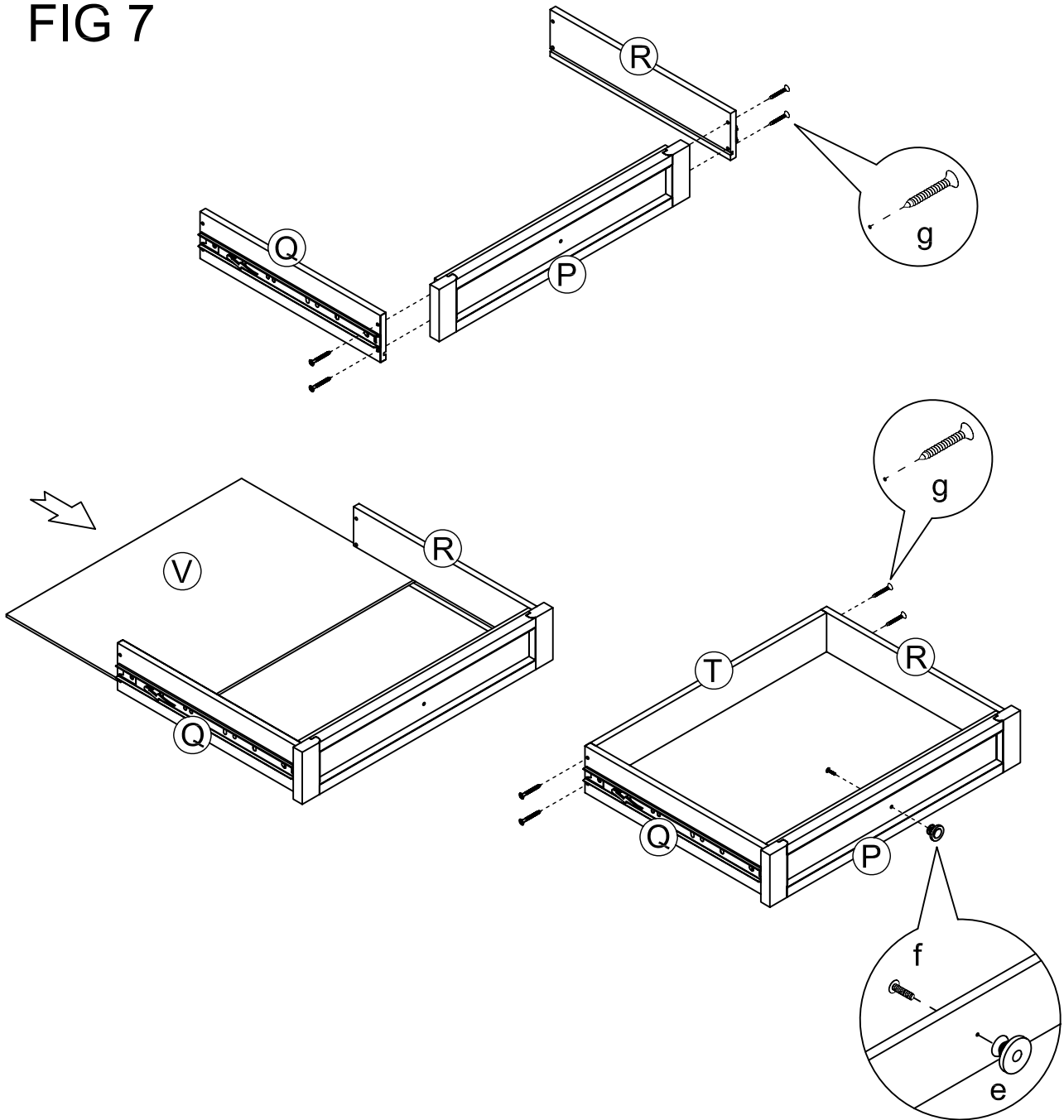
FIG 6



X 2

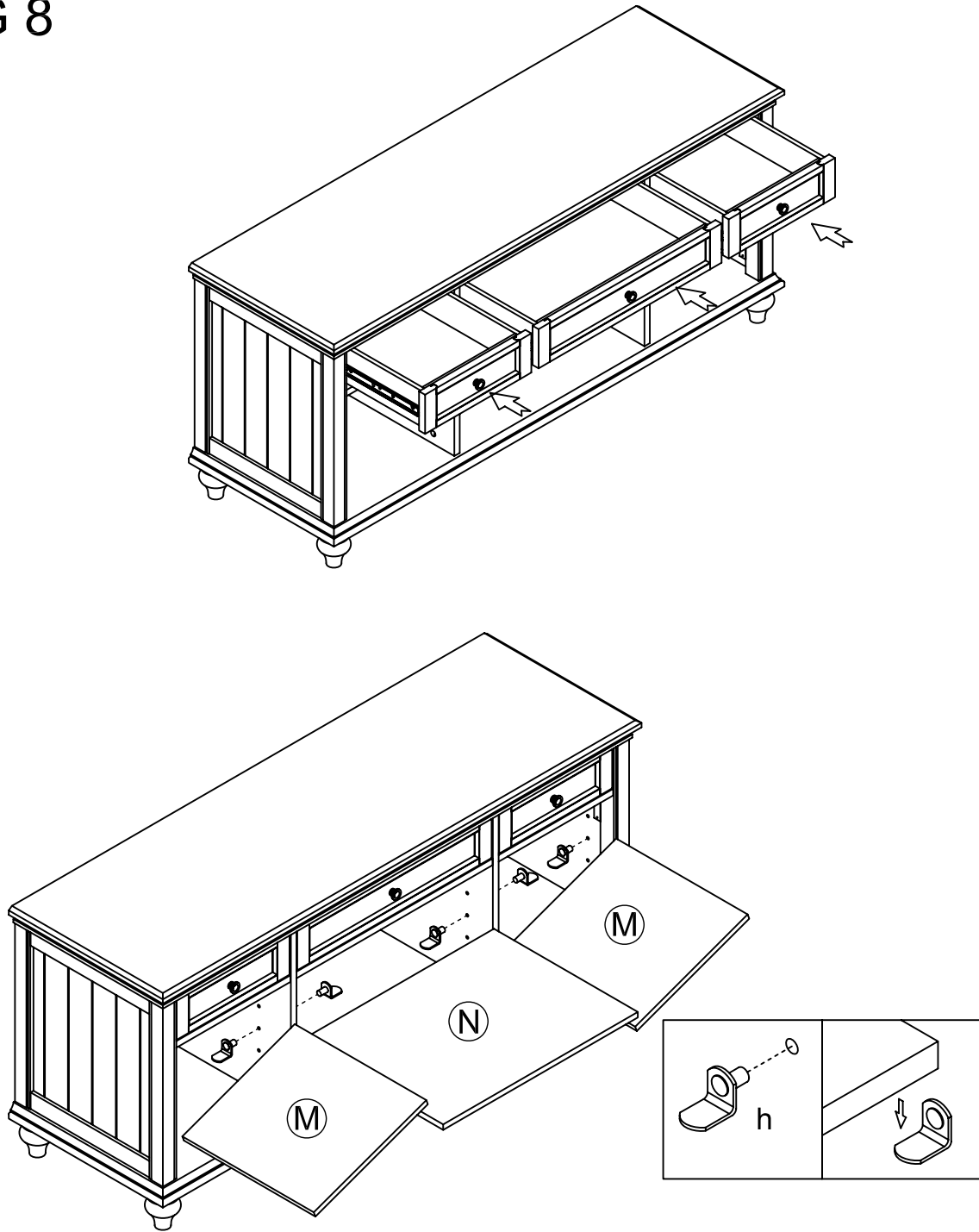
- TIGHTEN THE DRAWER LEFT SIDE PANEL (Q) AND THE DRAWER RIGHT SIDE PANEL (R) TO THE SMALL DRAWER FRONT PANEL (O) BY USING THE 1" FLAT HEAD SCREW (g).
- SLIDE THE SMALL DRAWER BOTTOM PANEL (U) INTO THE GROOVES ON THE DRAWER LEFT SIDE PANEL (Q) AND THE DRAWER RIGHT SIDE PANEL (R).
- TIGHTEN THE SMALL DRAWER BACK PANEL (S) TO THE ASSEMBLED PART BY USING THE 1" FLAT HEAD SCREW (g).
- TIGHTEN THE KNOB (e) TO THE SMALL DRAWER FRONT PANEL (O) BY USING THE KNOB BOLT (f).

FIG 7



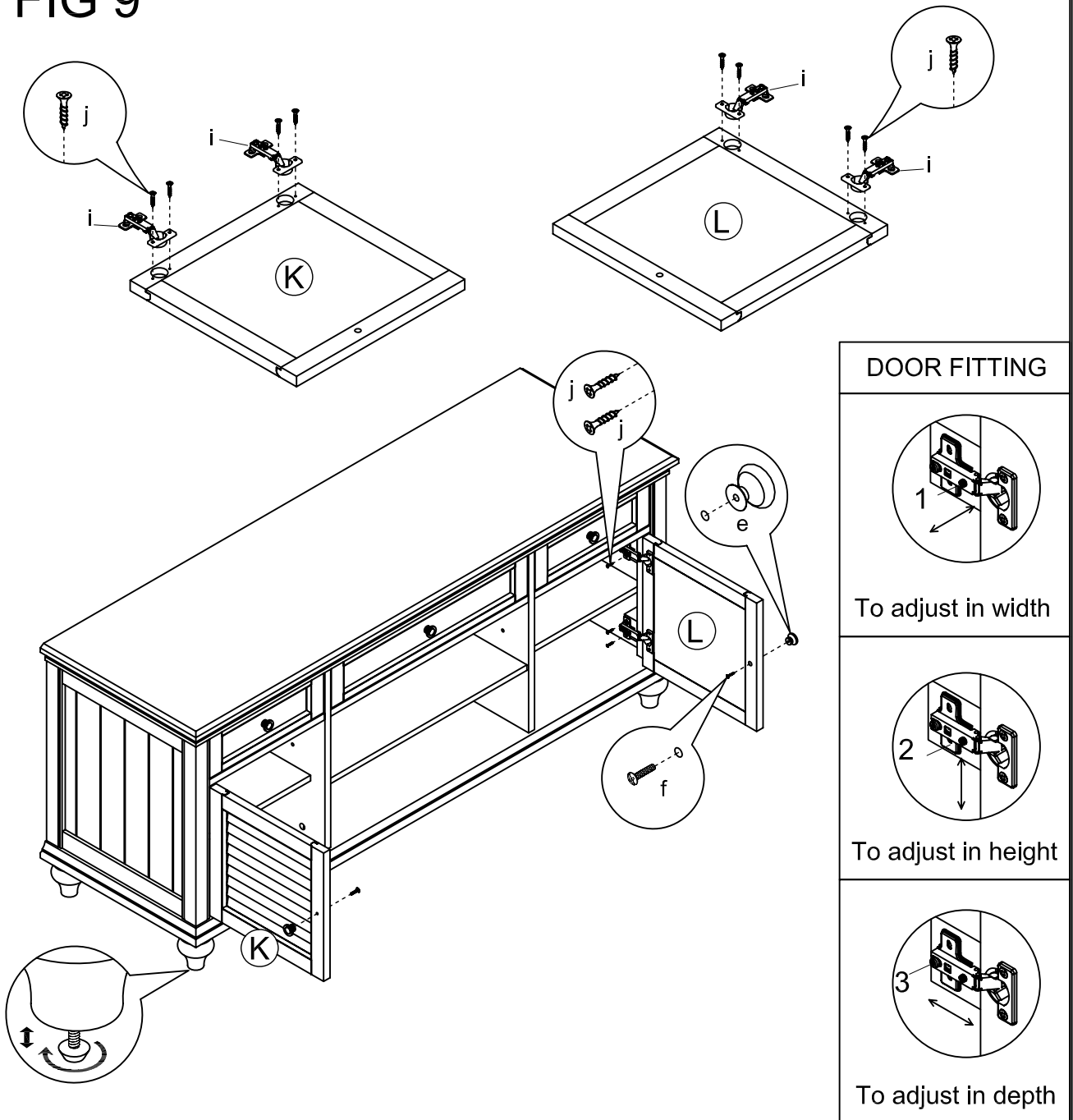
- TIGHTEN THE DRAWER LEFT SIDE PANEL (Q) AND THE DRAWER RIGHT SIDE PANEL (R) TO THE LARGE DRAWER FRONT PANEL (P) BY USING THE 1" FLAT HEAD SCREW (g).
- SLIDE THE LARGE DRAWER BOTTOM PANEL (V) INTO THE GROOVES ON THE DRAWER LEFT SIDE PANEL (Q) AND THE DRAWER RIGHT SIDE PANEL (R).
- TIGHTEN THE LARGE DRAWER BACK PANEL (T) TO THE ASSEMBLED PART BY USING THE 1" FLAT HEAD SCREW (g).
- TIGHTEN THE KNOB (e) TO THE LARGE DRAWER FRONT PANEL (P) BY USING THE KNOB BOLT (f).

FIG 8



- INSERT THE ASSEMBLED DRAWERS INTO THE ASSEMBLED PART AS SHOWN.
- INSERT THE SHELF PIN (h) IN THE DESIRED POSITION AND THEN PLACE THE SIDE ADJUSTABLE SHELF (M) AND THE MIDDLE ADJUSTABLE SHELF (N) ON THE PINS.

FIG 9



- ATTACH THE HINGE (i) TO THE LEFT DOOR (K) AND THE RIGHT DOOR (L) BY USING THE 5/8" FLAT HEAD SCREW (j).
- ATTACH THE LEFT DOOR (K) AND THE RIGHT DOOR (L) TO THE ASSEMBLED PART BY USING THE 5/8" FLAT HEAD SCREW (j) AS SHOWN.
- TIGHTEN THE KNOB (e) TO THE LEFT DOOR (K) AND THE RIGHT DOOR (L) BY USING THE KNOB BOLT (f).