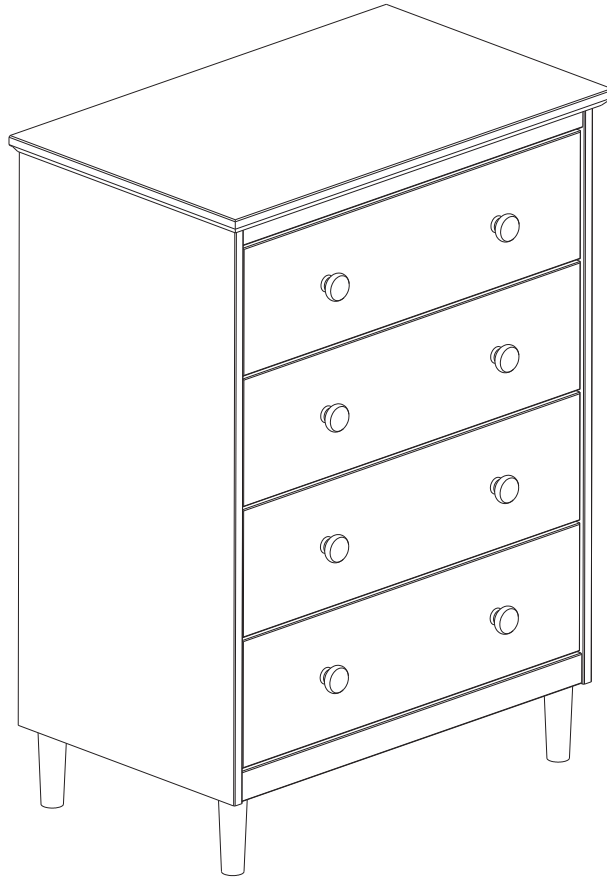


Item # : BR4DDR

Assembly Instructions

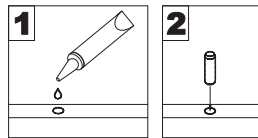


Please visit our website for the most current instructions, assembly tips, to report damage or request parts. www.walkerredson.com

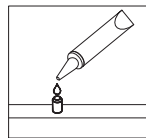
Revised 02/2019

General Assembly Guidelines

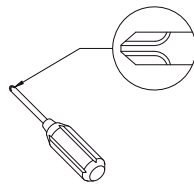
- I. Ensure that all parts and hardware are available before beginning assembly.
- II. Follow each step carefully to ensure the proper assembly of this product.
- III. Two people are recommended for ease in the assembly of this product.
- IV. The three main types of hardware used to assemble this product are wood dowels, screws and bolts.
- V. The provided glue is to secure wood dowels in place . When first inserting dowels , locate the appropriate hole for the dowel , place a small amount of glue in the hole and insert the dowel . Wipe away excess glue immediately.



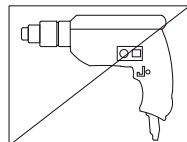
In future assembly steps when dowels are necessary to attach assembly parts together , place a small amount of glue on the end of the dowel before attaching parts together . Wipe away excess glue immediately.



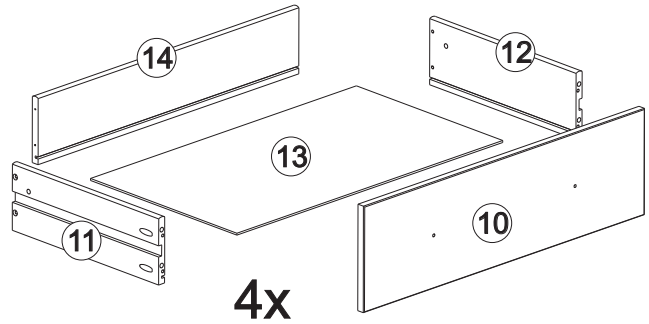
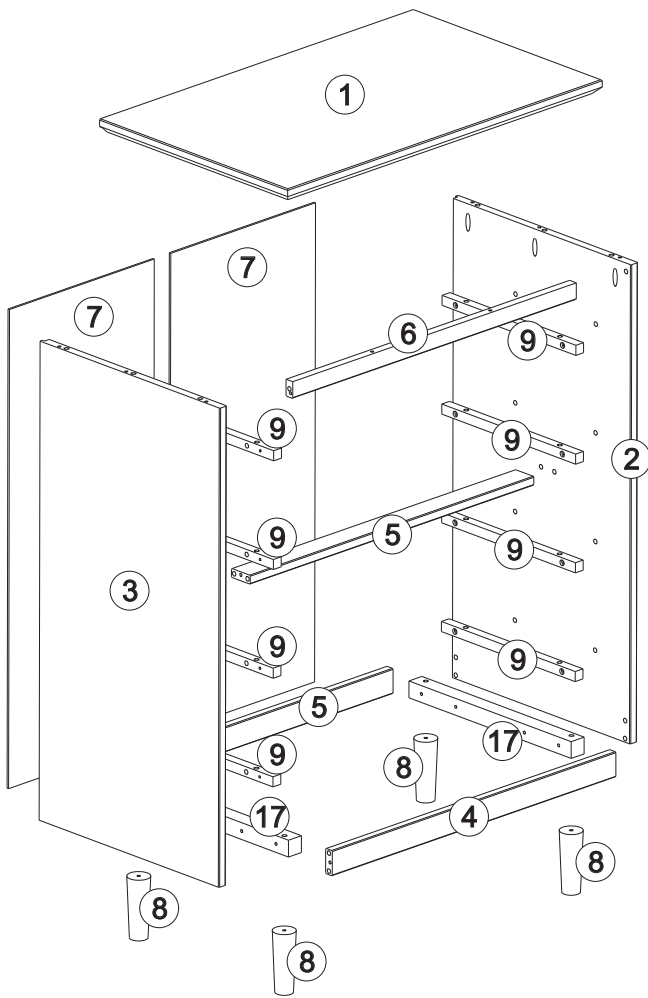
- VI. A Phillips head screwdriver is required for the assembly of this product.



- VII. Power tools should not be used to assemble this product.



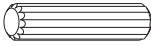



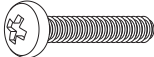

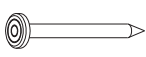

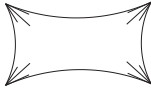
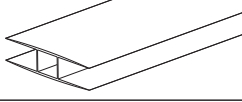
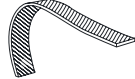


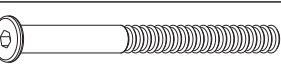

Parts List

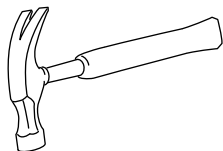


Part#	Description	Qty
1	Top panel	01 pcs
2	Right side panel	01 pcs
3	Left side panel	01 pcs
4	Bottom front crossbeam	01 pcs
5	Back crossbeam	02 pcs
6	Upper front crossbeam	01 pcs
7	Back panel	02 pcs
8	Foot	04 pcs

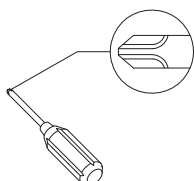
Part#	Description	Qty
9	Drawer runner	08 pcs
10	Front drawer	04 pcs
11	Left side drawer	04 pcs
12	Right side drawer	04 pcs
13	Drawer bottom	04 pcs
14	Drawer back	04 pcs
17	Foot crossbeam	02 pcs

Hardware List

A		Ø8*30mm	Wooden dowel	52 pcs
B		Ø8*20mm	Wooden dowel	16 pcs
C		Ø3,5*25mm	Screw	16 pcs
D		Ø3,5*30mm	Screw	50 pcs
E		M4*22mm	Screw	08 pcs
F		Ø4,5*45mm	Screw	08 pcs
G		Ø10*10	Nail	24 pcs
H			Knob	08 pcs
I			Glue	01 pcs
J		808 mm	"H" Profile	01 pc
K			Wall anchor	01 pc
L			Washer	02 pc
M			Ø6mm	01 pc
N		Ø7*80mm	Screw	04 pcs
O			Allen key	01 pcs



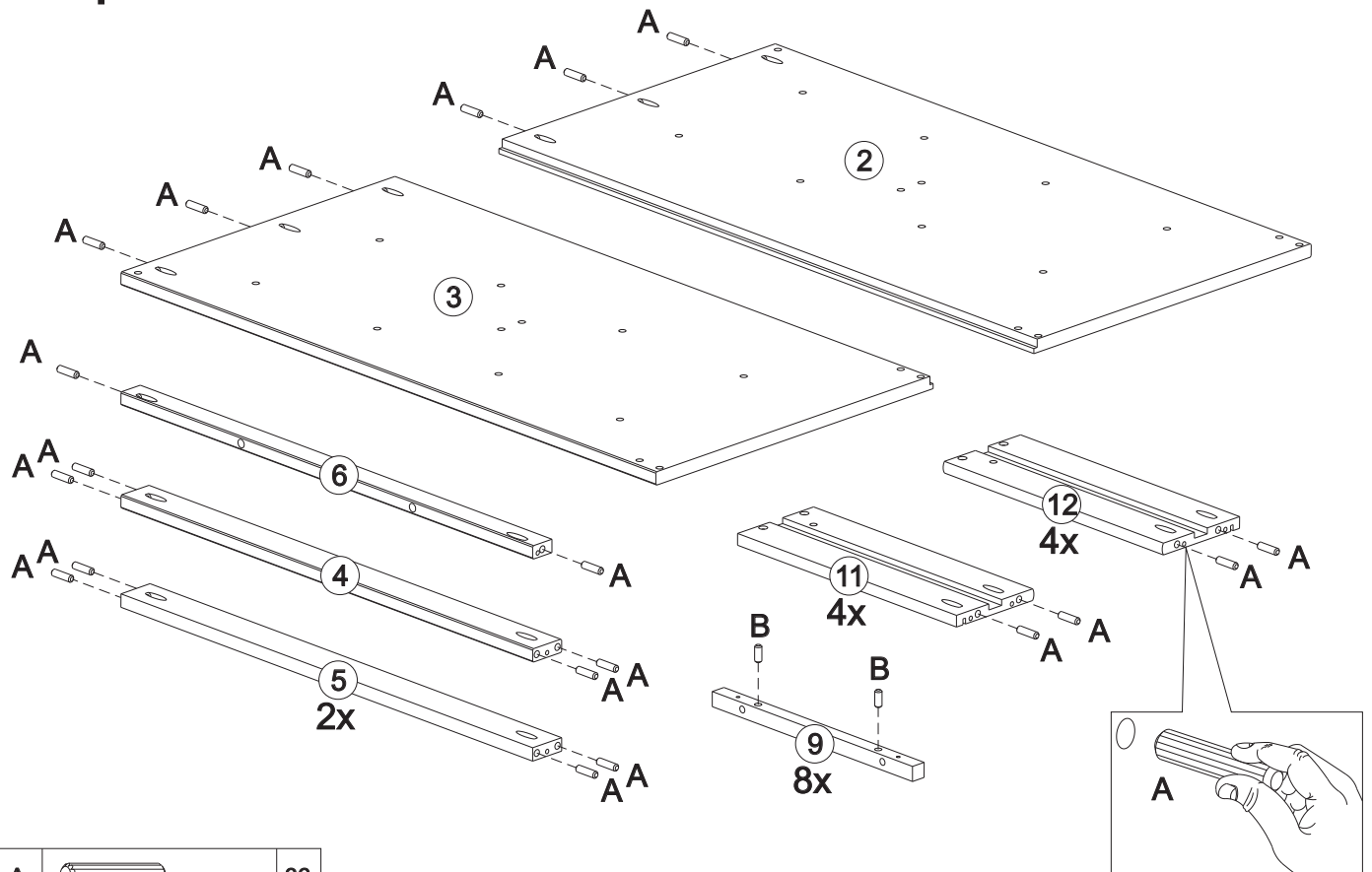
Hammer recommended for assembly
(not included)






Philips head screwdriver required for assembly
(not included)

*The hardware quantities listed above are required for proper assembly.
Some extra hardware may also have been included.*

Step 1

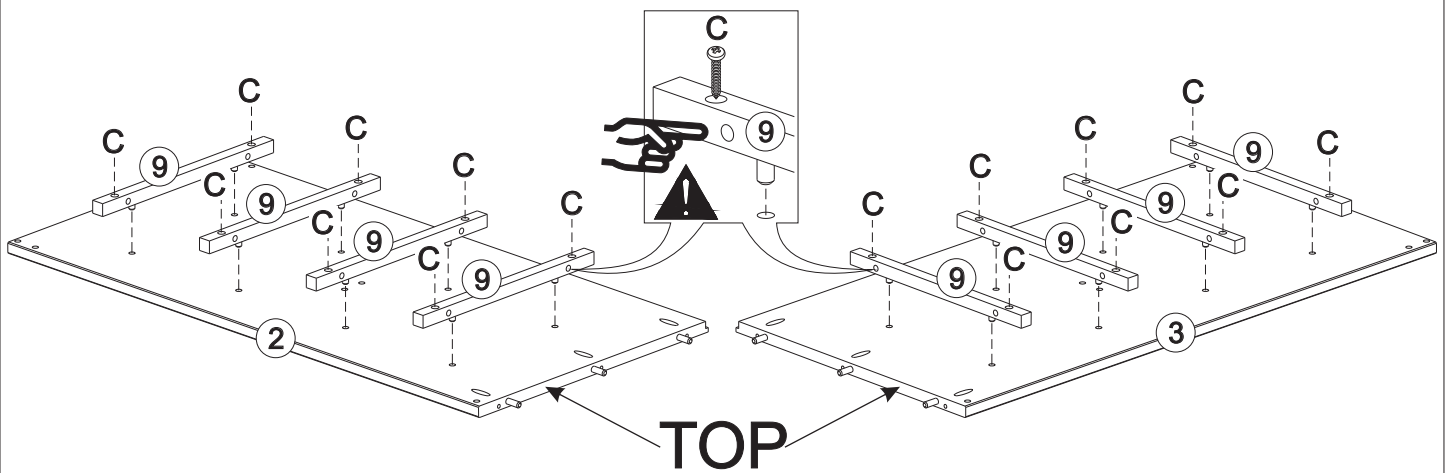



A		Ø8*30mm	36
B		Ø8*20mm	16
I			01

Insert wood dowel (A) and glue (I) into parts (2, 3, 4, 5, 6, 11, 12).
 Insert wood dowel (B) and glue (I) into part (9).

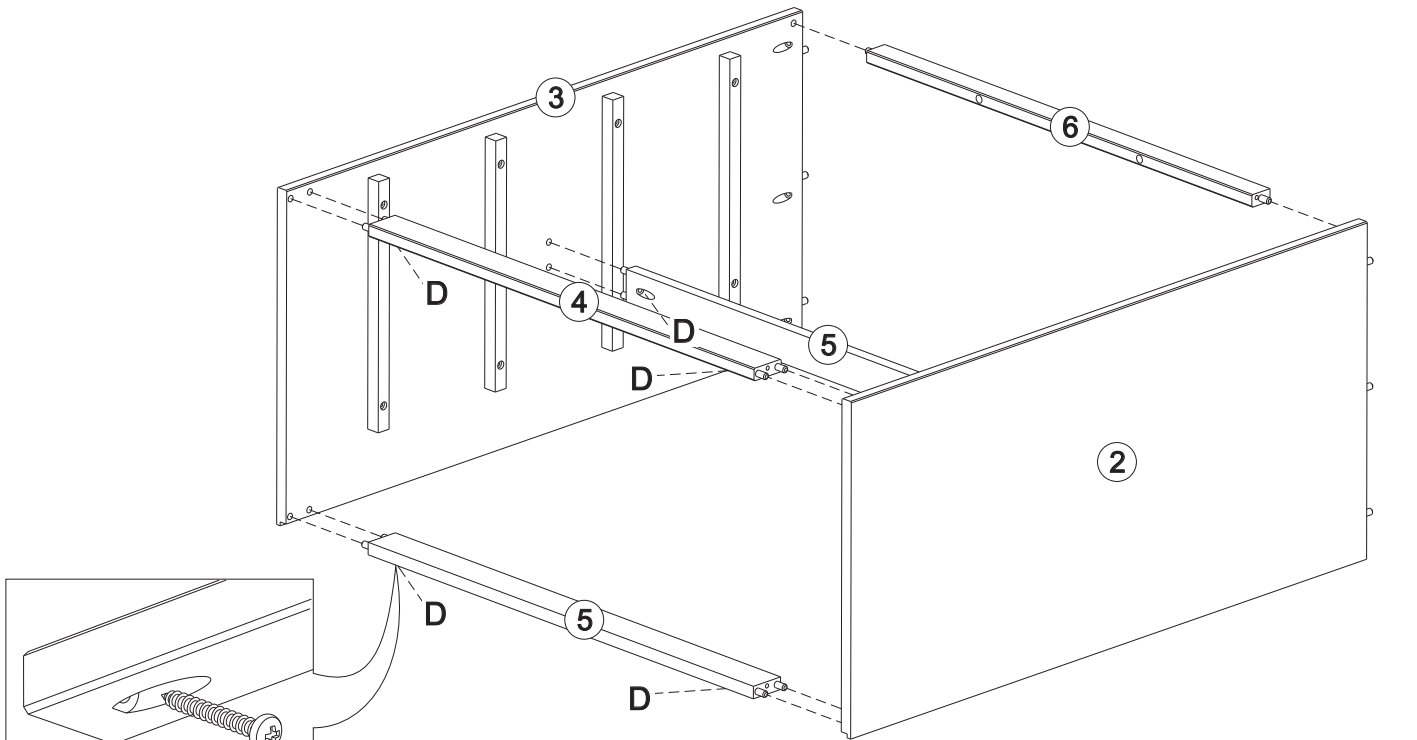
Step 2

Use screw (C) to attach parts (2,3) to part (9)



C		Ø3,5*25mm	16
---	---	-----------	----

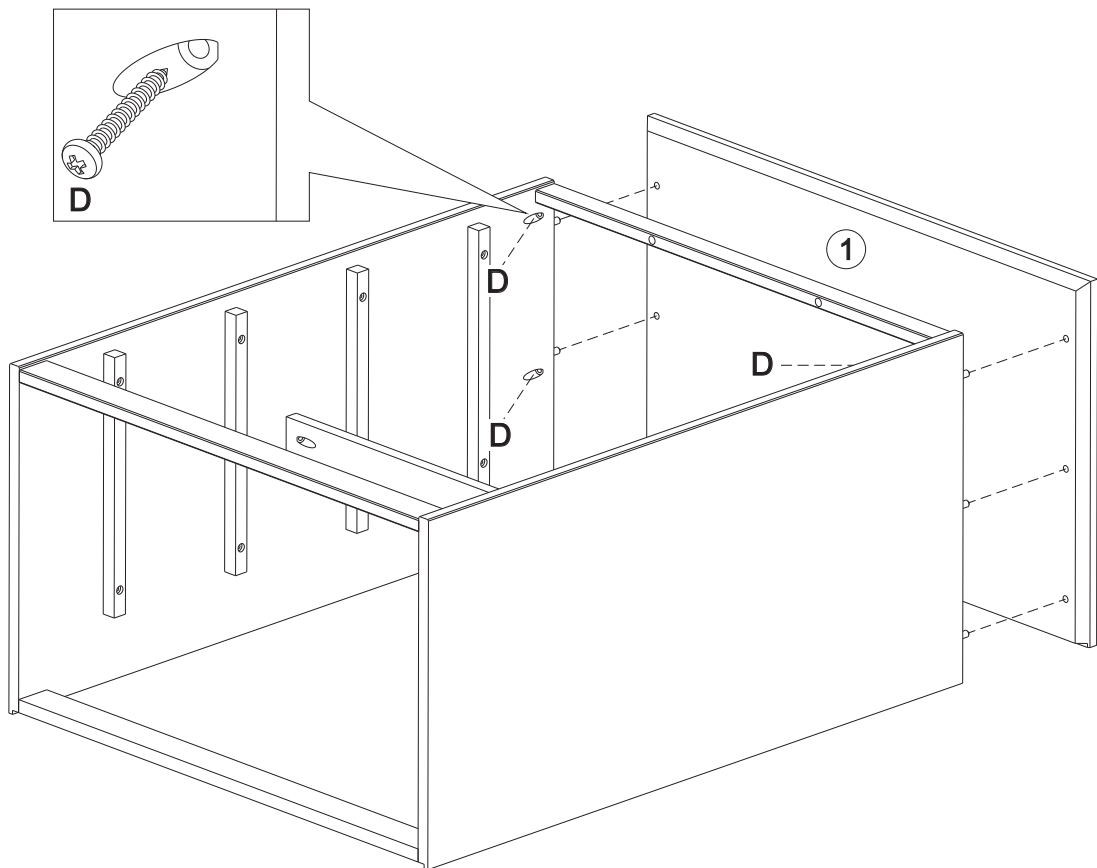
Step 3



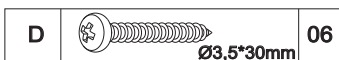
Secure front cross beam (4,5,6)
to panels (2,3) using screw (D)



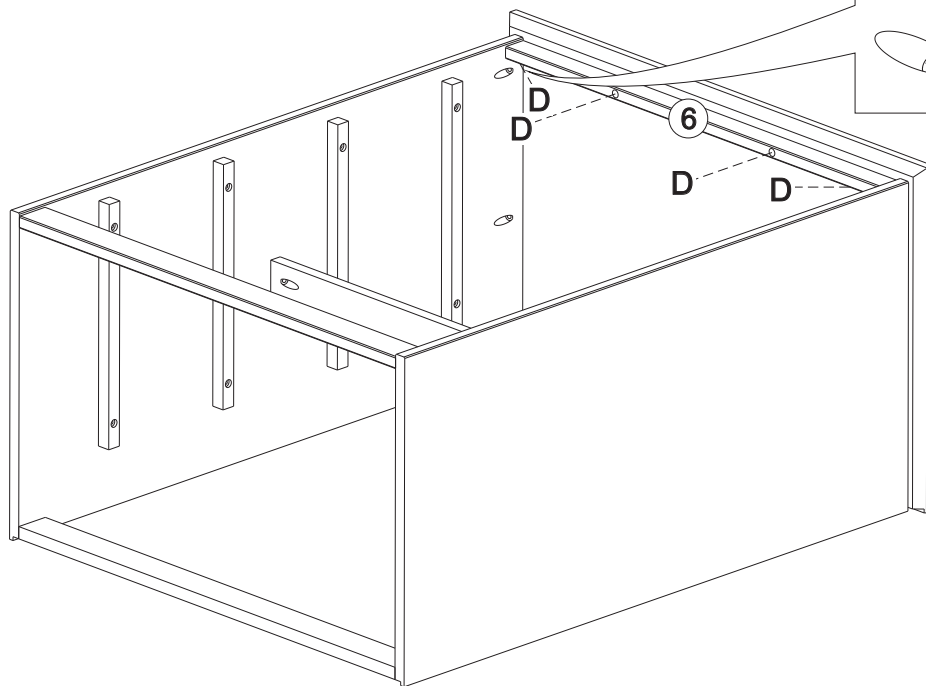
Step 4



Use screw (D) to attach
part (1) to body

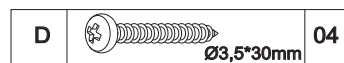


Step 5

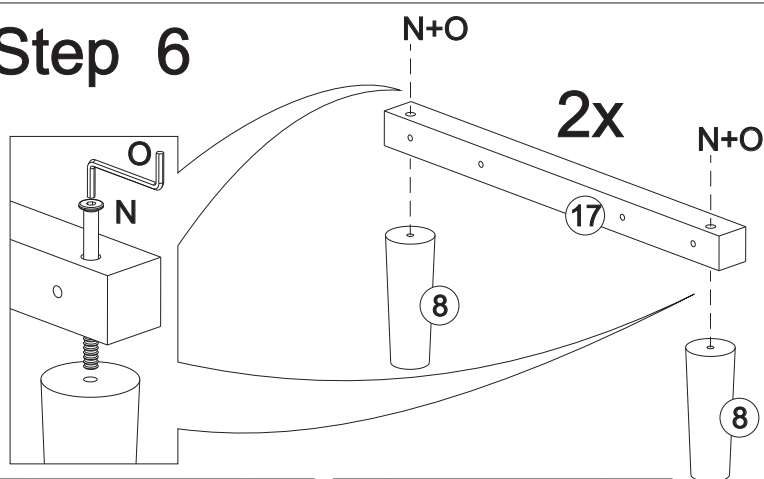


Please assemble on a clean soft surface to avoid damage.

Use screw (D) to attach part (6) to body



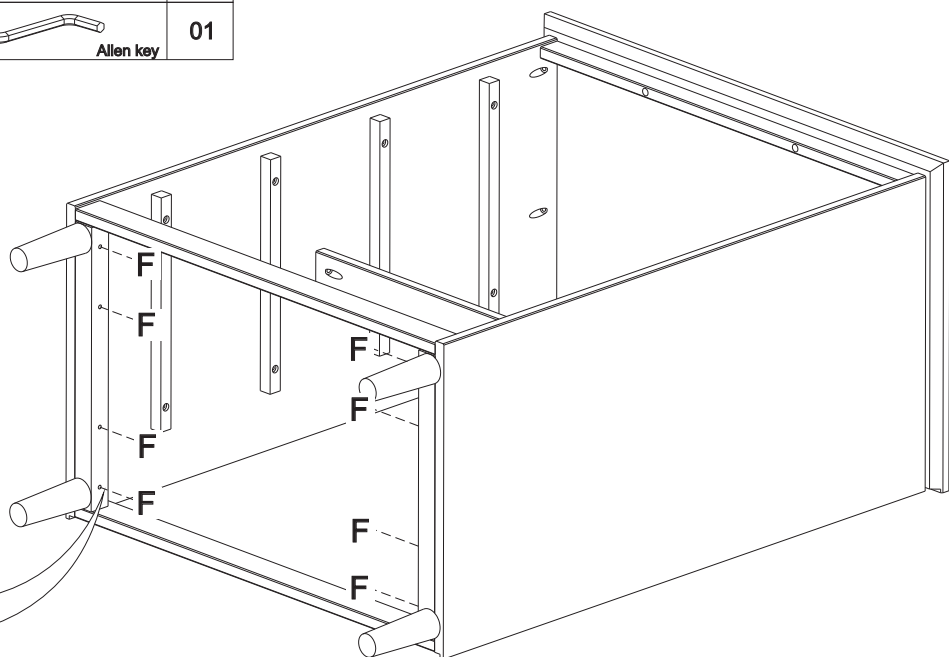
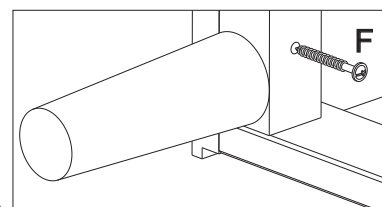
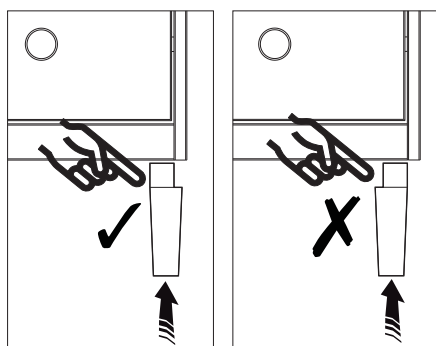
Step 6



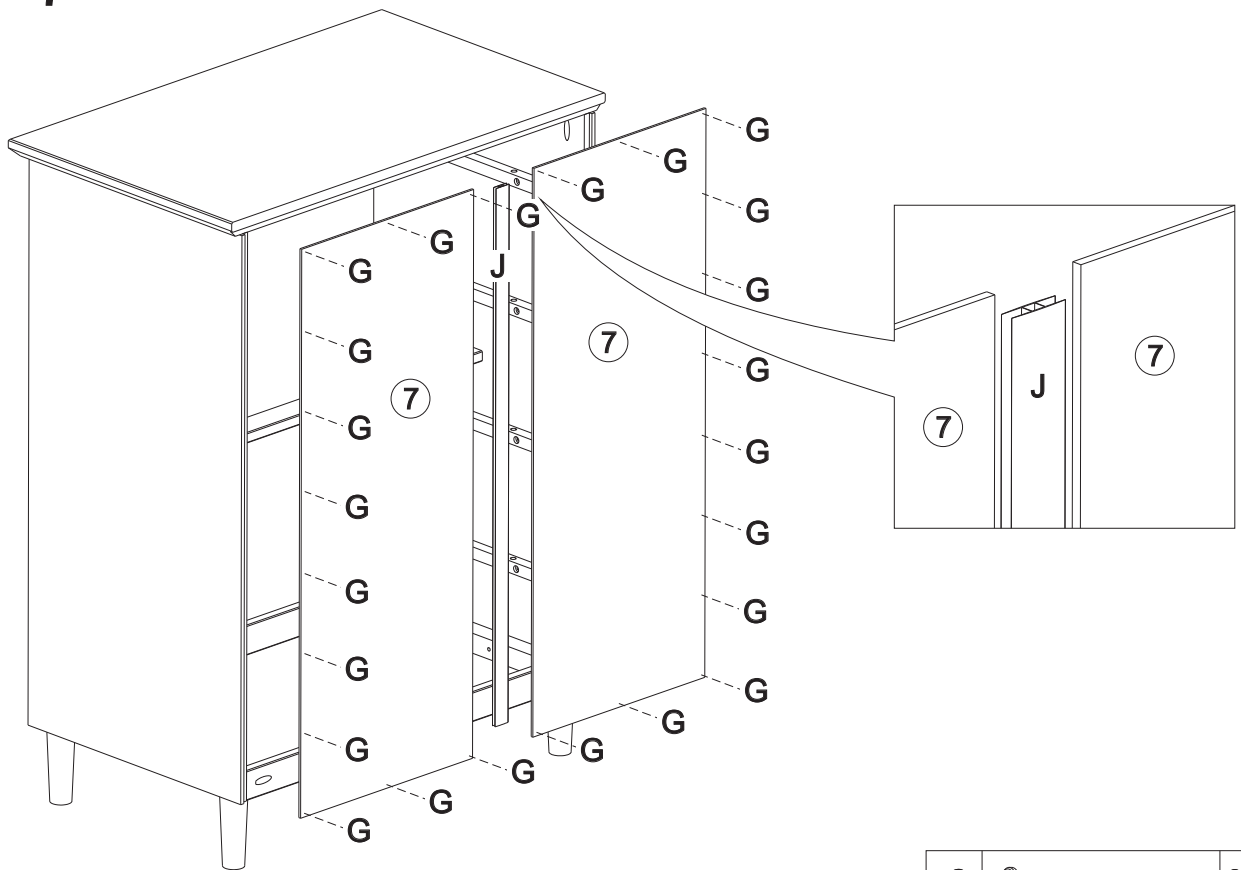
Apply glue to leg contact surfaces

Use screw (N) to attach part (15) to part (8) and key (O).
Attach parts (8) with screws (F) and glue (I).

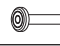

F		08	N		04
Ø4,5*45mm		Ø7*80mm			
I		01	O		01
Glue tube		Allen key			



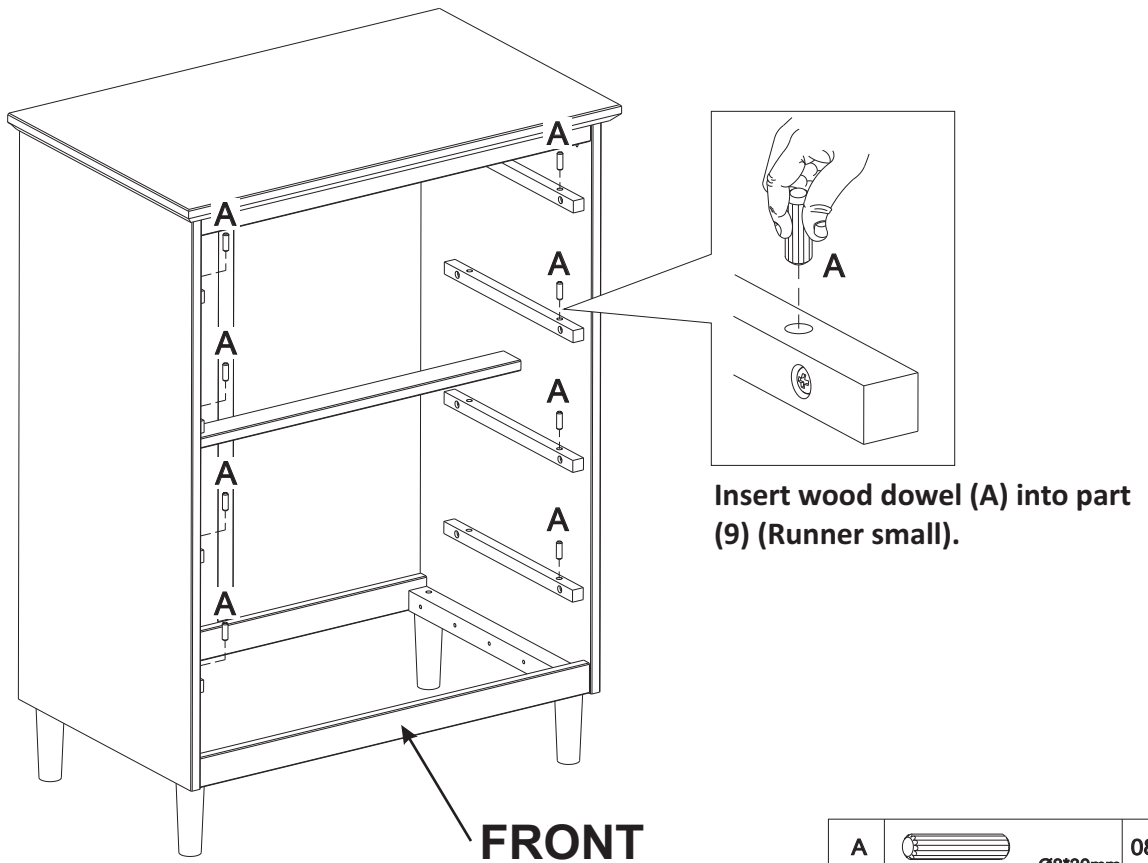
Step 7



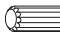
Secure back panel (7) with part (J) to body with nails (F)

G		Ø10*10	24
J		808mm	01

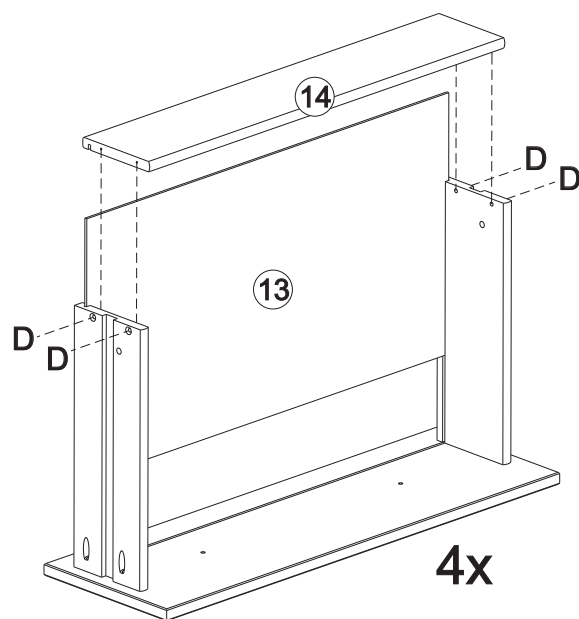
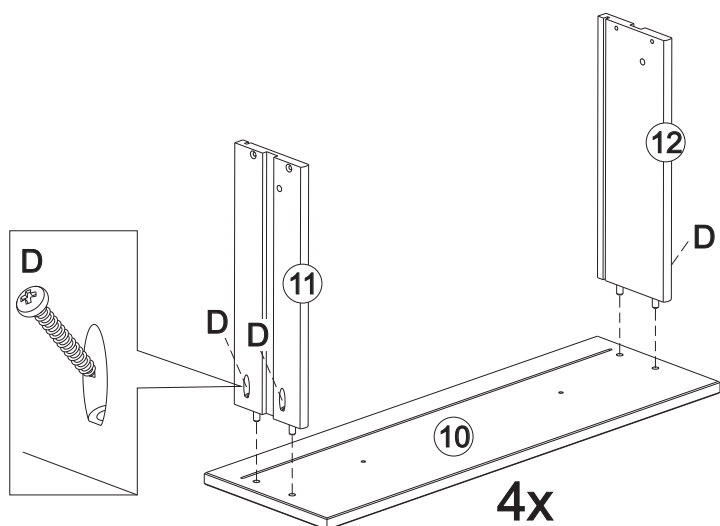
Step 8



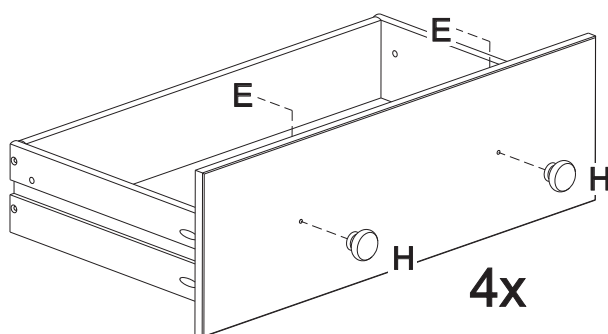
Insert wood dowel (A) into part (9) (Runner small).




A		Ø8*30mm	08
---	---	---------	----

Step 9

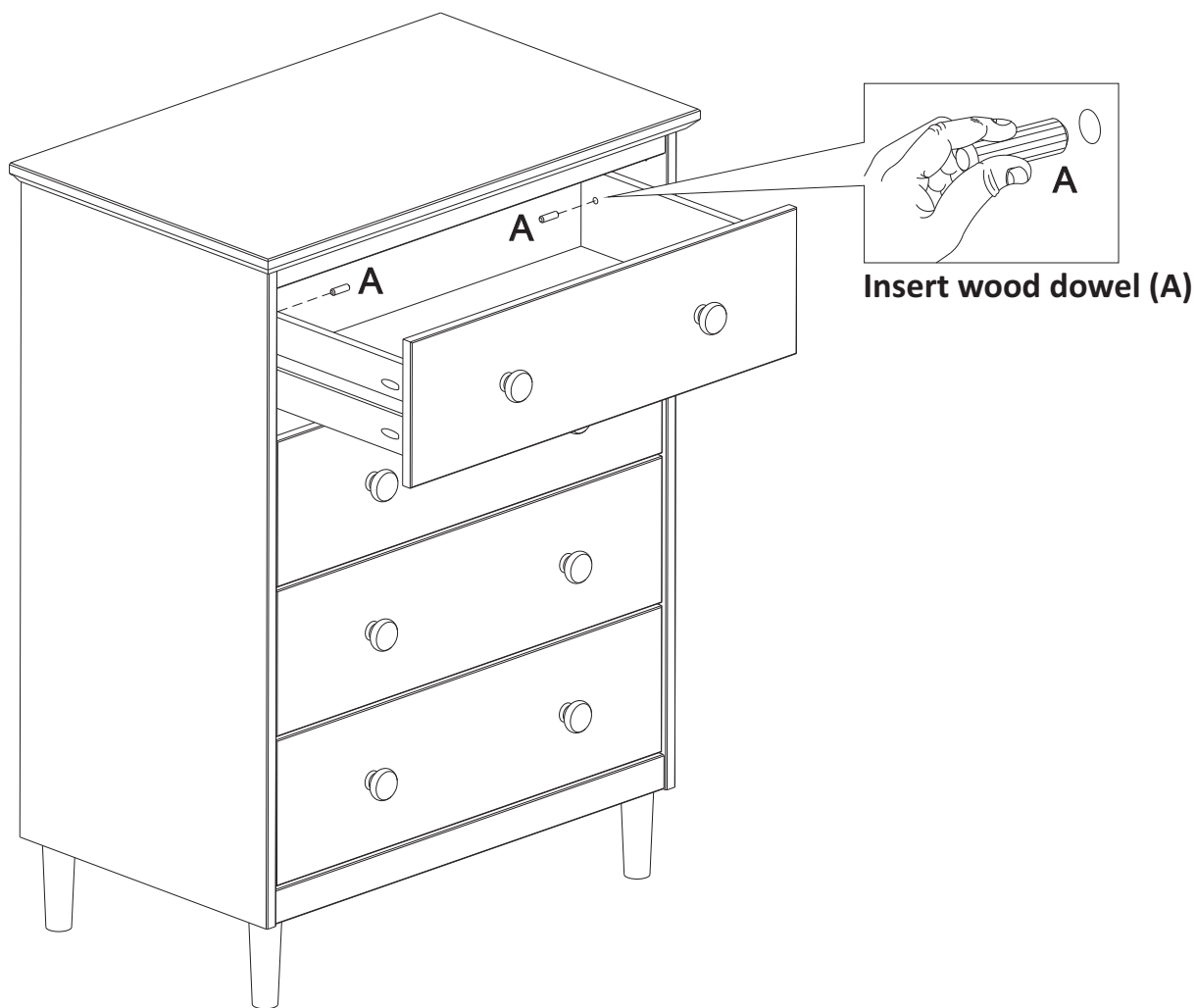


Attach parts (11,12) to part (10), insert panel (13) into grooves and secure part (14) with screws(D)
Insert knob (H) with screws(E).

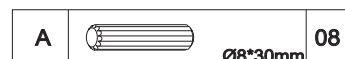


D	 Ø3,5*30mm	32
E	 M4x22mm	08
H		08

Step 10



Assembly Complete!



Maintenance Guide

To maintain long term performance and easy gliding of your solid wood drawers, we recommend applying wax to the wooden guide rails.

1. Bee's wax is recommended or Paraffin wax from a standard candle can be used.

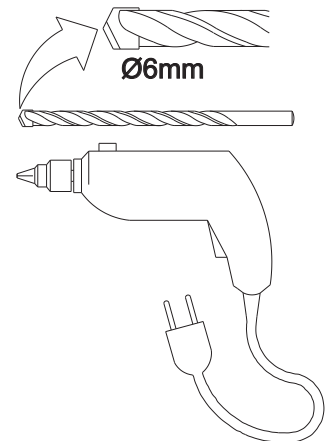
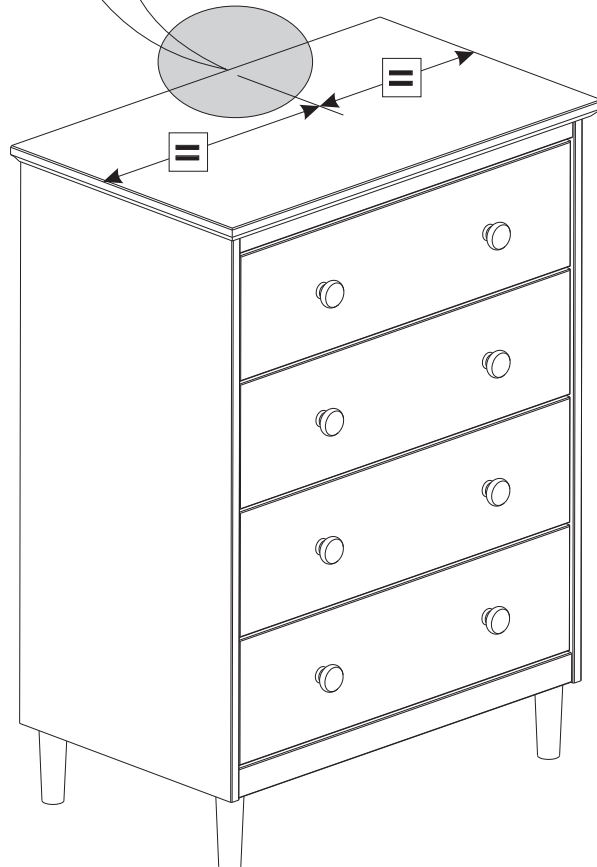
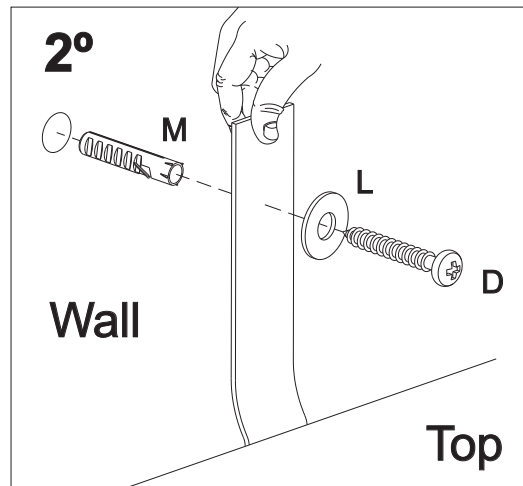
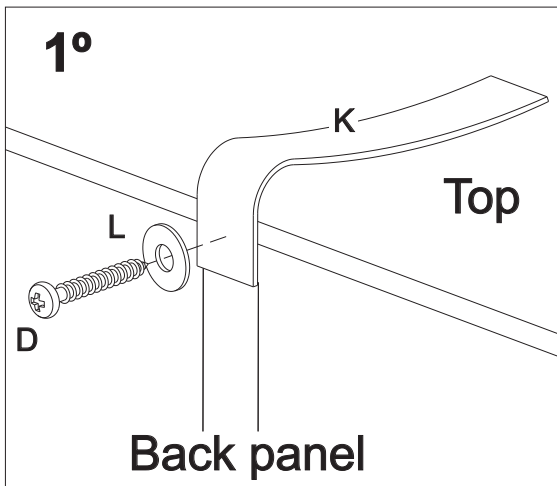
2. Apply the wax by rubbing it on the wooden guide rails where there is wood-on-wood contact when opening and closing the drawer. (Wax should be room temperature, do not melt the wax onto the wood)





3. Wax should be applied every few months for the first year and then only when needed after that to keep the drawers sliding smoothly.

WARNING

Serious or fatal injuries can occur from furniture tipping over. To prevent the furniture from tipping over we recommend that it is permanently fixed to the wall.

Wall anchor and hardware are included with this product. Please make sure hardware is suitable for your walls before installing, as different wall materials may require different types of anchors.



D	 Ø3,5*30mm	02
K		01
L		02
M		01