

Vinyl Hinged Screen Door with Hinge Expander

For Hampton and Newport models



IMPORTANT: Replacement screen door fit range

Be sure you have selected the proper screen door size according to your entrance door opening dimensions.

This screen door is adjustable in WIDTH & HEIGHT

Opening Width Fit Range by Screen Size:

32" x 80" screen doors fit most openings with minimum inside door frame width of 31-1/4" up to 32-1/4"
36" x 80" screen doors fit most openings with minimum inside door frame width of 35-1/4" up to 36-1/4"

Opening Height Fit Range: 79-3/8" up to 80-3/8"

DO NOT ATTEMPT TO CUT OR MODIFY THE VINYL SCREEN FRAME!

Important: Read all instructions completely before beginning installation.

Tools & Hardware Required:

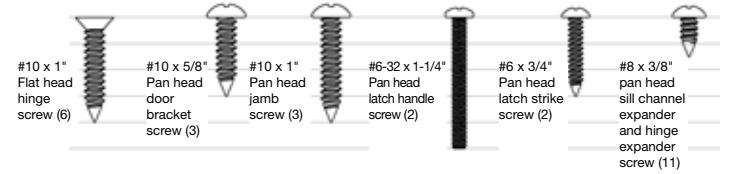
Tools required: Tape measure, Phillips-head screwdriver, slotted screwdriver, hacksaw, power drill, 1/8", 5/16" drill bits, pencil, safety glasses, metal file, level, sheet metal snips, hammer, wood shim or spacer

Optional tools: Step stool, masking tape

Hardware provided:

Door latch handle assembly & mounting hardware, adjustable jamb-expander channel with pre-attached hinges, adjustable sill-expander channel, drill template

Screws/fasteners:



NOTICE Not intended to limit or prevent passage of children, pets, etc., or to deter vandalism or burglary.

1 Determine screen door swing direction

Determine which way the screen door should swing. The hinge side of the screen door should be on the same hinge side as your main entry door (Fig. 1).

This door is designed to swing **outward** so the hinge knuckles are facing the exterior of the screen door. The screen door is preconfigured with the hinge channel expander on the left side. If this configuration is opposite of your desired swing direction, go to **step 2**, otherwise go to **step 3**.

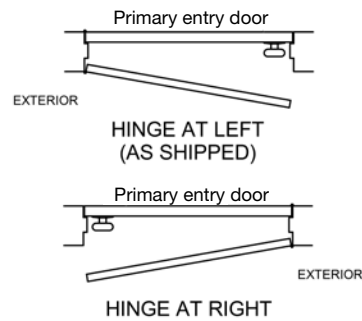


Fig. 1

2 Reverse swing direction if necessary

If the opposite swing direction is needed, remove the hinge channel expander and cartwheel it 180° (Fig. 2).

Reposition the hinge channel expander on the opposite side of the screen door.

Again, the hinge knuckles face the front of the screen door.

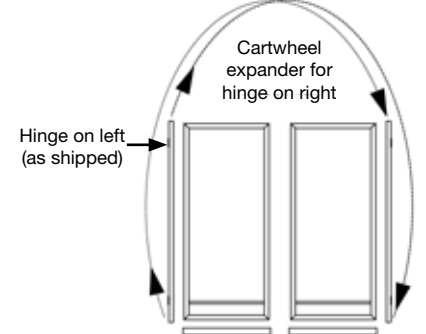


Fig. 2

3 Cut top of hinge channel expander

With the hinge channel on the correct side based on **Step 1**, measure down 1" from the top of the expander and draw a pencil line around the entire perimeter. Write the word "TOP" under the line for later reference.

Note: Use masking tape around channel where measuring and cutting will be done. It reduces scrapes from cutting, and is easy to mark a line with any type of pencil or pen (Fig. 3).

Using sheet metal snips or a hacksaw with a fine tooth metal cutting blade, cut off this excess section of channel.

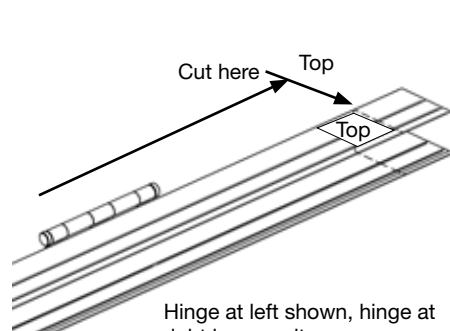


Fig. 3

4 Calculate proper hinge channel expander height

Measure the door frame opening height (Fig. 4) where new screen door will be installed. Calculate proper cut length of hinge channel expander.

Box 1
Door frame opening height measurement =
Subtract 2-3/16"
Box 2
Result is hinge channel expander cut length

Take the adjusted measurement in **Box 2** and with a tape measure, mark this distance on the channel but measure from the **TOP** of the channel (where it was previously cut) to the bottom and make a line around the expander channel. **IMPORTANT:** Make certain, you measure from the previously cut end ("**TOP**").

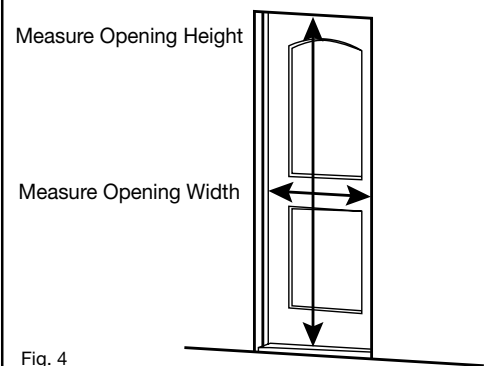


Fig. 4

5 Cut bottom of the hinge channel expander

Using sheet metal snips or a hacksaw, cut the lower section of the hinge channel expander where marked in **Step 4** (Fig. 5).

Using a file, clean the edges of both the top and bottom of the channel to remove sharp burrs.

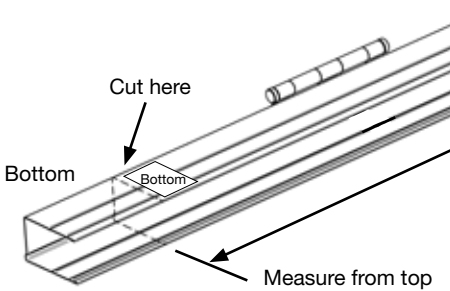


Fig. 5

6 Fasten hinge channel to entryway door frame

Position the hinge channel expander on entry door frame where installation will be made, leave a 3/16" gap at top of frame (Fig. 6).

Note: An extra set of hands to hold channel while installing screws will make this step easier. Using one of the #10 x 1" flat screws provided, attach channel using top hole in top hinge, on to the door frame. Without letting channel loose, and using a level, check that hinge channel is flush with exterior face of door frame. Using a pencil, mark the location of all the hinge holes. Use a 1/8" drill bit to pre-drill the holes. Secure channel by attaching each hinge to the frame with screws provided (#10 x 1" flat head screws).

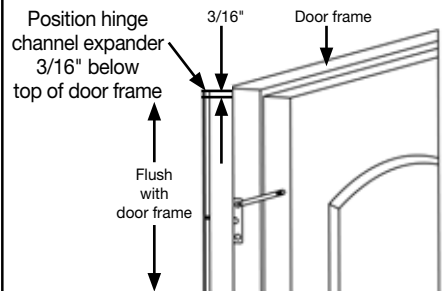


Fig. 6

7 Adjust and attach screen door

With hinge channel expander attached to door frame, carefully slide screen door into the hinge channel as far as it will go. Ensure hinge channel is flush with door frame at the top (Fig. 7). Close the door carefully and slowly adjust the fit and alignment of the door in the frame. Insert wood shim or spacer (approx. 3/16" thick) between frame and latch side of door. Slowly adjust door in the hinge channel until gap is uniform (3/16") top to bottom (Fig. 10).

Once the screen door is completely aligned, mark and pre-drill 4 holes through the exterior of the hinge channel expander and the door using 1/8" drill bit. The holes should be 1/4" from the edge of the hinge channel expander, with one adjacent to the top hinge, one adjacent to the bottom hinge, and remaining 2 equidistant between them. Secure the hinge channel expander to the door using the #8 x 3/8" screws provided (Fig. 8). Repeat this procedure on the inside of the screen door.

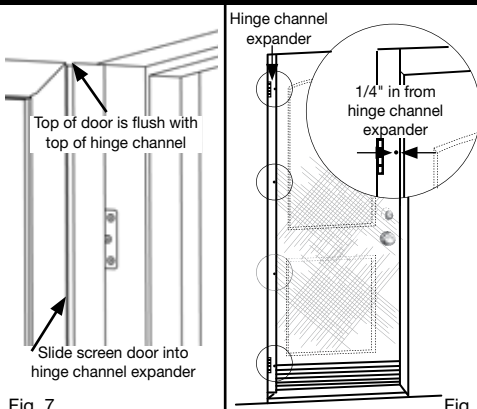


Fig. 7

Fig. 8

8 Install sill channel expander

Measure the current overall door width including the expander channel. Mark and cut sill channel expander to this dimension.

Position sill channel expander on bottom of screen door aligned with the edge of the door. Adjust its position to create an even 1/4" gap between the threshold and the sill channel expander. The top of the sill channel expander should meet the bottom of the hinge channel expander on the hinge side.

Temporarily tape sill channel expander in place with masking tape. Mark and pre-drill (3) sill channel expander attachment holes as indicated on interior side using 1/8" drill bit. Secure with #8 x 3/8" screws provided (Fig. 9). Do not over tighten.

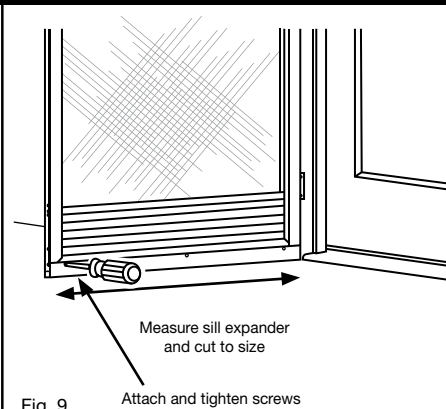


Fig. 9

9 Verify screen door fit

Once screen door is mounted, verify that it fits properly. The top of the screen door to the top of the door frame opening should have a reveal of approximately 3/16".

The latch side of the screen door should also have a gap of approximately 3/16" from the frame jamb.

With the sill expander installed, there should be a gap of approximately 1/4" from the bottom of the screen door to the threshold (Fig. 10).

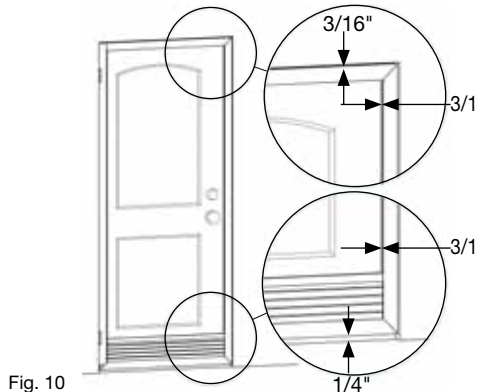


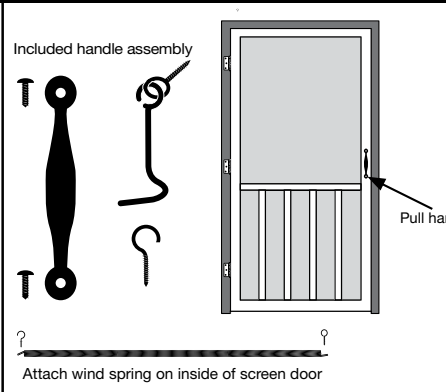
Fig. 10

10 Attach the hardware

On the exterior of the door, locate a position for the pull handle. Attach handle to door with screws provided.

On the interior of the door, locate a position for the eye hook and latch, and screw these in a position so that the hook aligns with eye screw and holds door firmly against the jamb.

Attach return spring: On top jamb measure 6" from hinge side jamb, mark and pre-drill with a 1/8" drill bit. Install the eye hook. Next, measure 11" from handle side of door frame at top of the door, mark and pre-drill with a 1/8" drill bit. Install eye hook. Attach spring to door jamb first and then to door.



Warranty Information

Your Unique Home Designs screen door is warranted against manufacturer defects for one year from the purchase date. If the door breaks or structural defects occur, Unique Home Designs will, at our discretion, repair or replace the door. Replacement items may vary in style due to changes in suppliers and product. This limited warranty will not apply if the part has been misused, abused or altered. Cutting parts not specified by the installation guide or parts drilled incorrectly are not included in this warranty. Screen material is excluded from warranty coverage. Warranty is not transferable.

To make a claim under this Warranty, send a brief written description of the problem, a picture of the claim, proof of purchase, and your contact information to: Unique Home Designs, 973 N. Colorado Street, Gilbert AZ. 85233 Attn: Warranty Claims

VIEW INSTALLATION VIDEOS AND LATEST INFORMATION AT helpmeinstallit.com