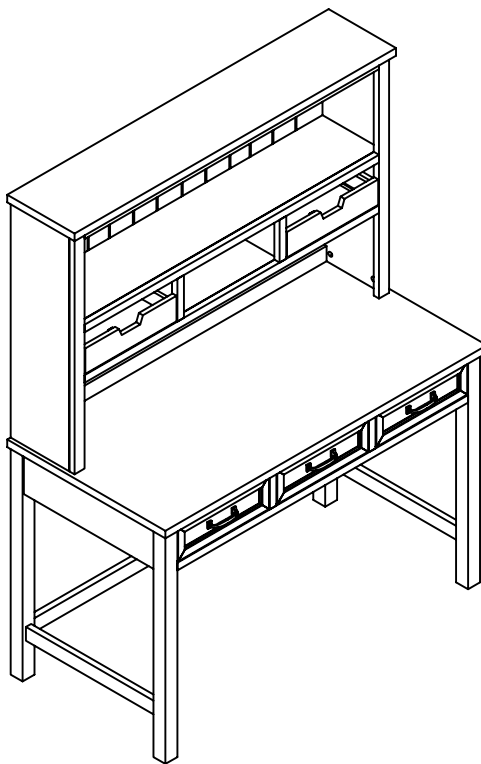


## USE AND CARE GUIDE

---

### TWO TONE DESK WITH HUTCH



Questions, problems, missing parts? Before returning to the store,  
call Home Decorators Collection Customer Service.  
8 a.m. – 7 p.m., EST, Monday – Friday, 9 a.m. – 6 p.m., EST, Saturday

**1-800-998-7021**

**[HOMEDEPOT.COM/HOMEDECORATORS](http://HOMEDEPOT.COM/HOMEDECORATORS)**

---

#### **THANK YOU**

*We appreciate the trust and confidence you have placed in Home Decorators Collection through the purchase of this two tone desk with hutch. We strive to continually create quality products designed to enhance your home. Visit us online to see our full line of products available for your home improvement needs. Thank you for choosing Home Decorators Collection!*

# Table of Contents

Table of Contents.....	2	Hardware Included.....	3
Safety Information.....	2	Pre-assembly (continued).....	4
Warranty.....	2	Package Contents.....	4
3 Year Warranty.....	2	Assembly.....	5
What is Covered.....	2		
What is Not Covered.....	2		
Pre-assembly.....	3		
Planning Assembly.....	3		
Tools Required.....	3		

# Safety Information



## DANGER

- Keep small parts away from children during assembly.
- Read and follow instructions carefully.



## WARNING

- Read these instructions carefully and keep in a safe place.
- TO GUARANTEE THE SAFE USE OF THIS PRODUCT, FOLLOW THE WARNINGS, GUIDELINES AND RECOMMENDATIONS IN THIS MANUAL.
- Adult assembly required.
- Small parts may present choking hazard prior to assembly.
- Do not place heavy objects on the glass top.
- Some assembly may involve attaching glass or mirrors.
- Be very careful handling the glass or mirrors, as severe injury may result if the glass or mirror breaks.
- Never handle large pieces of glass or mirrors by yourself.



## CAUTION

- Do not use power tools to assemble your furniture. Power tools may strip or damage parts/product.
- Do not overtighten connectors (screws, bolts, etc.). Overtightening can lead to product damage.
- Be sure to check all packing materials carefully for small parts that may have come loose inside the carton during shipment. If parts are missing, contact THE HOME DEPOT to obtain any missing parts.
- DO NOT USE SUBSTITUTE PARTS.
- This product should only be used on a flat, level surface.

# Warranty

## 3 YEAR WARRANTY

### WHAT IS COVERED

We guarantee this product to be free of manufacturing defects to the original purchaser for three years.

### WHAT IS NOT COVERED

This warranty does not cover commercial use, acts of nature, and abusive use.

# Pre-assembly

## PLANNING ASSEMBLY

Keep children and pets away from build area. Make sure your area is large enough to unpack, sort and assemble the unit.

## TOOLS REQUIRED



Small head  
Phillips  
screwdriver

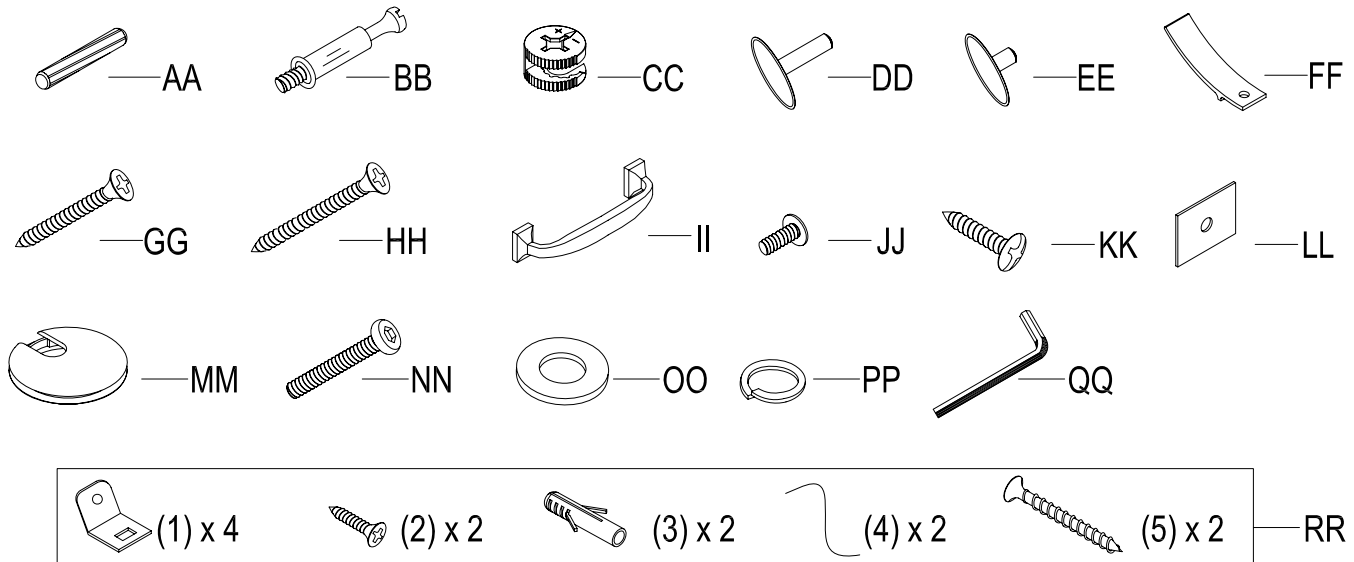


Large head  
Phillips  
screwdriver

## HARDWARE INCLUDED



NOTE: Hardware not shown to actual size.

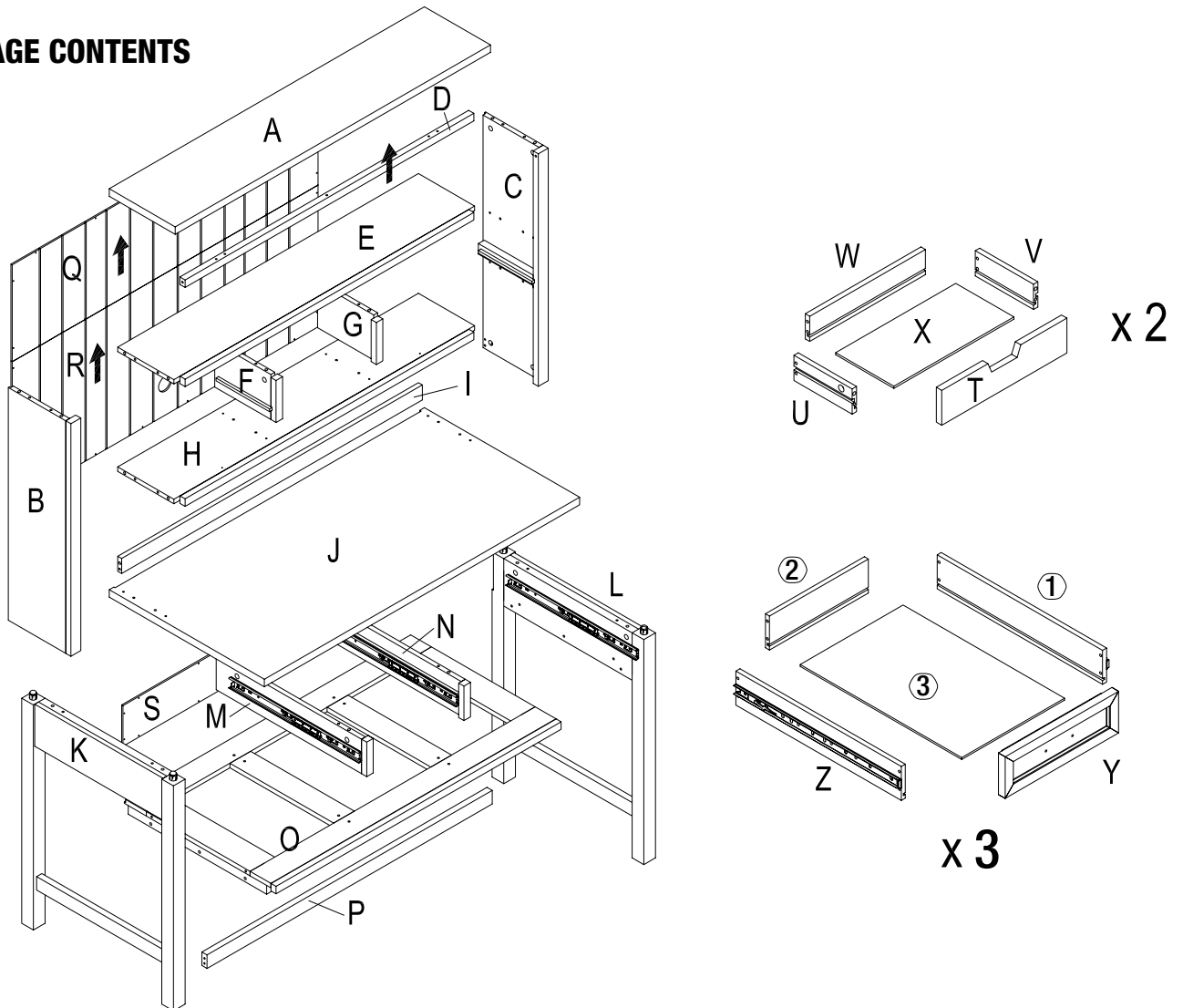


Part	Description	Quantity
AA	Wood dowel	52
BB	Cam lock bolt	34
CC	Cam lock	34
DD	Long plastic cover	8
EE	Short plastic cover	4
FF	Stopper	2
GG	1 in. Flat head screw	43
HH	1-1/2 in. Flat head screw	2
II	Handle	3
JJ	Handle bolt	6

Part	Description	Quantity
KK	5/8 in. Round head screw	46
LL	Metal plate	6
MM	Wire plug	1
NN	Bolt	6
OO	Washer	6
PP	Spring washer	6
QQ	Allen wrench	1
RR	Anti-tipping hardware package	1

# Pre-assembly (continued)

## PACKAGE CONTENTS



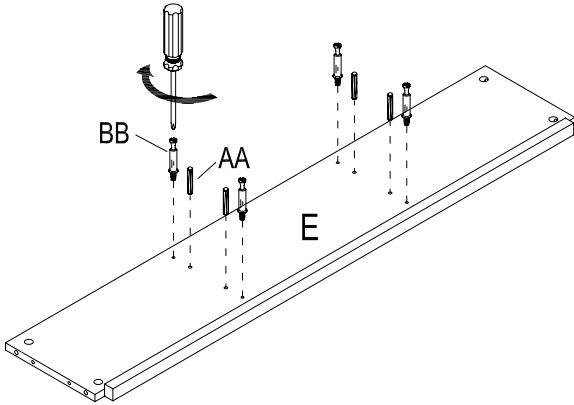
Part	Description	Quantity
A	Hutch top panel	1
B	Hutch left side panel	1
C	Hutch right side panel	1
D	Top crossbar	1
E	Hutch fixed panel	1
F	Hutch left partition	1
G	Hutch right partition	1
H	Hutch bottom panel	1
I	Middle crossbar	1
J	Desk face panel	1
K	Bottom left side panel	1
L	Bottom right side panel	1
M	Bottom left partition	1
N	Bottom right partition	1

Part	Description	Quantity
O	Bottom fixed panel	1
P	Bottom crossbar	1
Q	Top back panel	1
R	Middle back panel	1
S	Bottom back panel	1
T	Small drawer front panel	2
U	Small drawer left side panel	2
V	Small drawer right side panel	2
W	Small drawer back panel	2
X	Small drawer bottom panel	2
Y	Large drawer front panel	3
Z	Large drawer left side panel	3
①	Large drawer right side panel	3
②	Large drawer back panel	3
③	Large drawer bottom panel	3

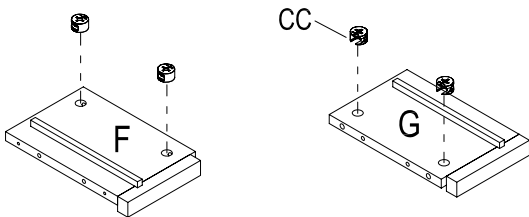
# Assembly

## 1 Attaching hutch partition to the hutch fixed panel

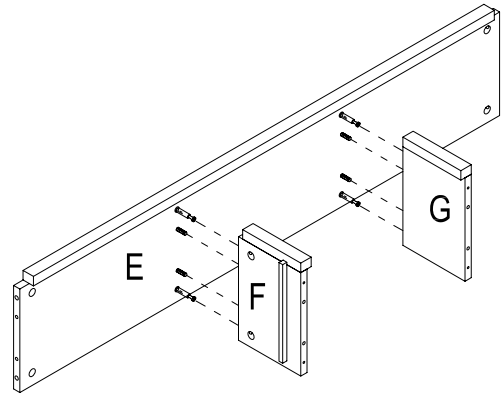
- a) Install dowel (AA) and bolt (BB) into panel (E).



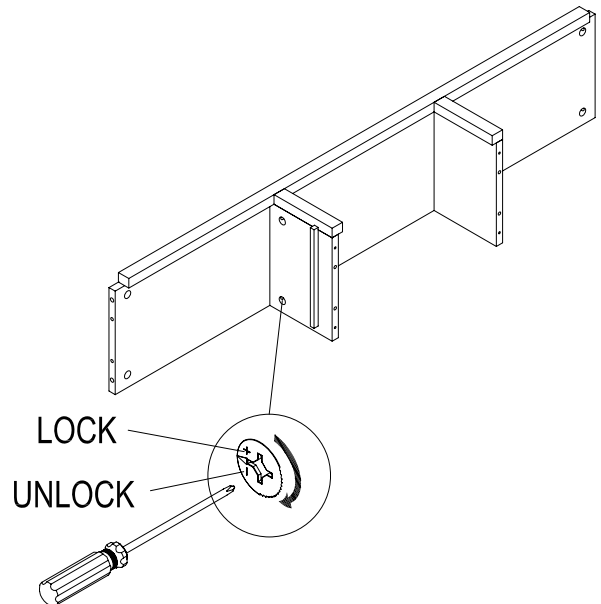
- b) Insert lock (CC) into partitions (F) and (G).



- c) Join partitions (F) and (G) to the panel (E) with dowel (AA).



- d) Tighten bolt (BB) with lock (CC) in the pre-drilled holes.



Wood dowel

Cam lock bolt

Cam lock

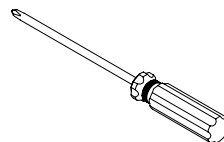
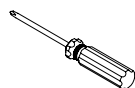
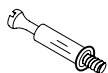
Small head

Large head

(AA) x 4

(BB) x 4

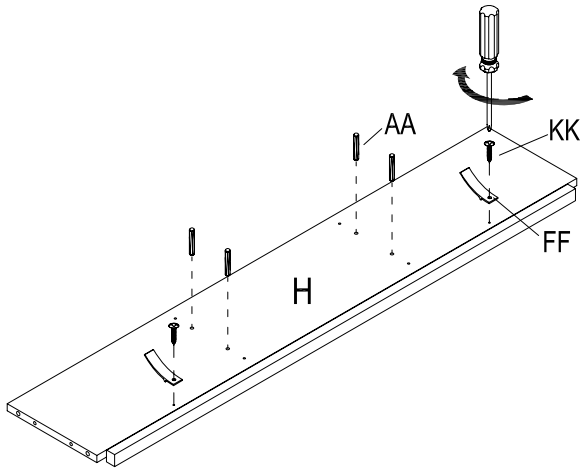
(CC) x 4



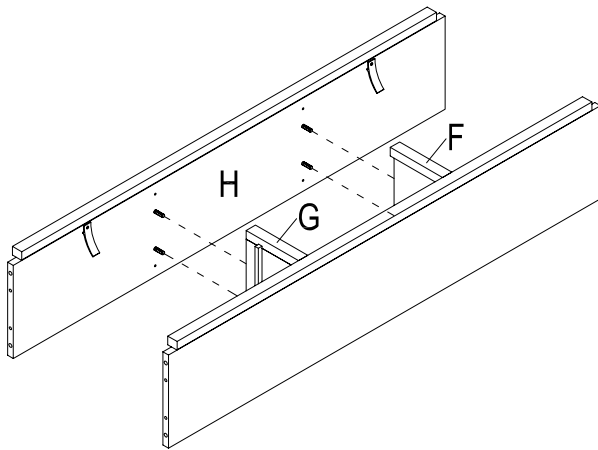
# Assembly (continued)

## 2 Attaching hutch bottom panel

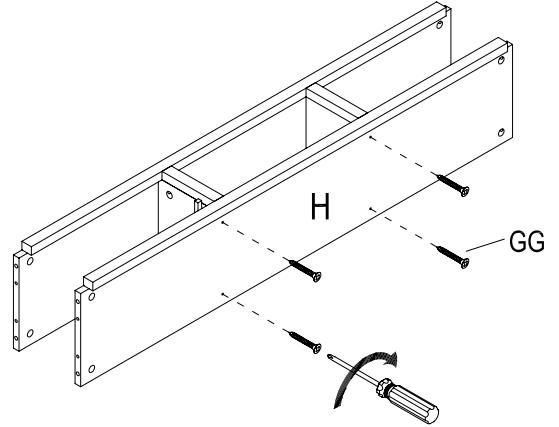
- a) Attach stopper (FF) onto panel (H) with screw (KK). Install dowel (AA) into panel (H).



- b) Join panel (H) to the assembled body with dowel (AA).



- c) Tighten panel (H) with screw (GG).



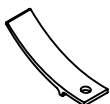
Wood dowel

(AA) x 4



Stopper

(FF) x 2



5/8 in. Round head screw

(KK) x 2

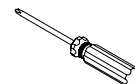


1 in. Flat head screw

(GG) x 4



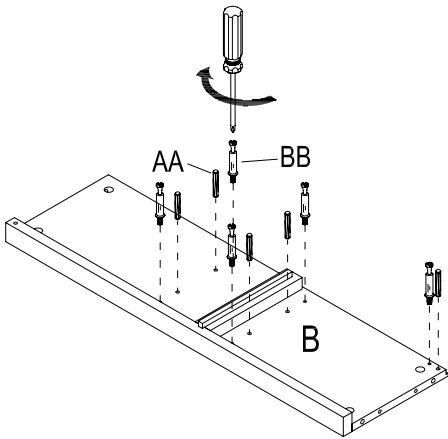
Small head



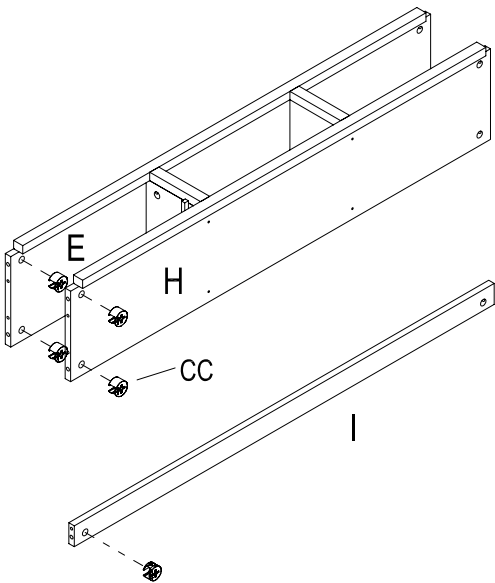
# Assembly (continued)

## 3 Attaching hutch left side panel and middle crossbar

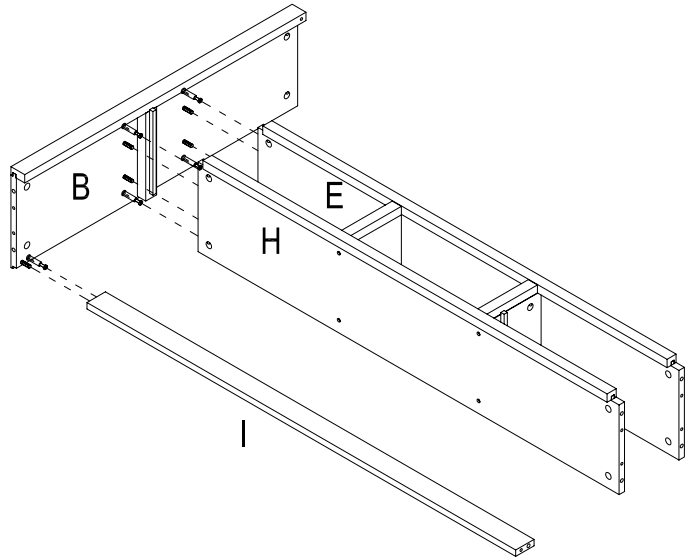
- a) Install dowel (AA) and bolt (BB) into panel (B).



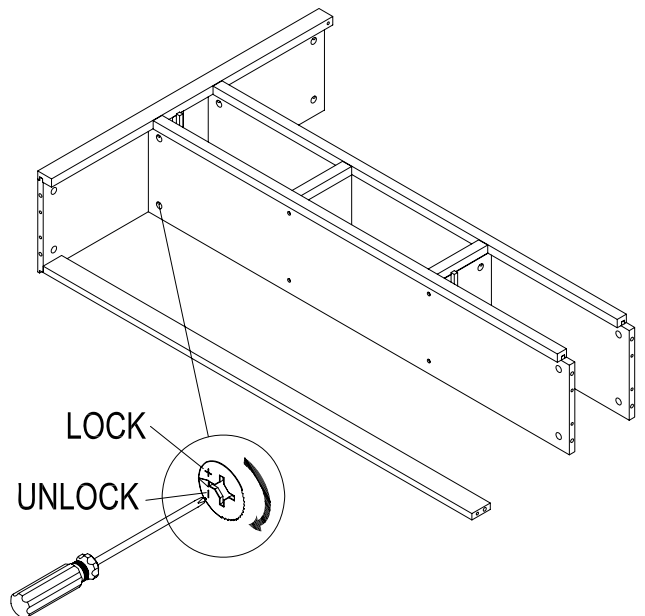
- b) Insert lock (CC) into panels (E) and (H), and bar (I).



- c) Join panels (E) and (H), and bar (I) to the panel (B) with dowel (AA).



- d) Tighten bolt (BB) with lock (CC) in the pre-drilled holes.



Wood dowel

Cam lock bolt

Cam lock

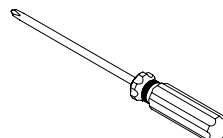
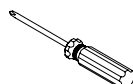
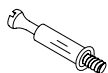
Small head

Large head

(AA) x 5

(BB) x 5

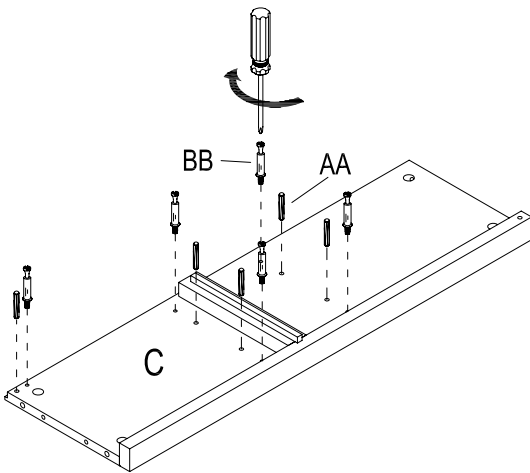
(CC) x 5



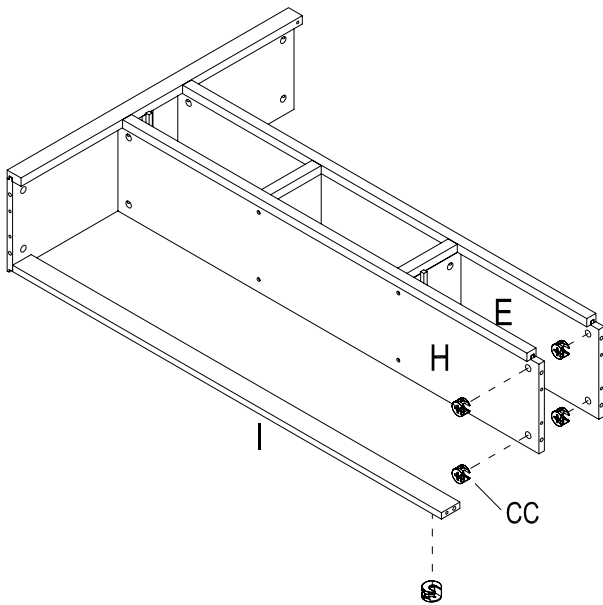
# Assembly (continued)

## 4 Attaching hutch right side panel and top crossbar

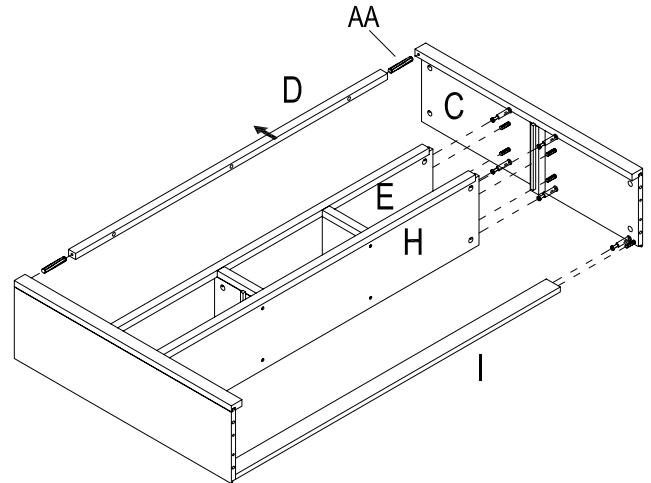
- a) Install dowel (AA) and bolt (BB) into panel (C).



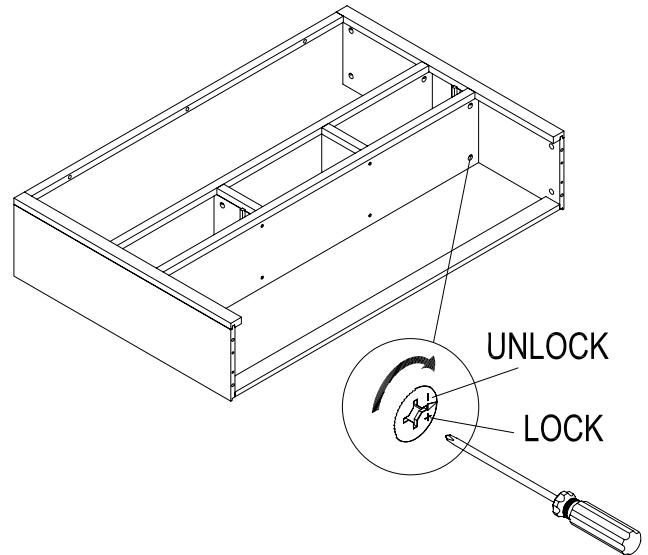
- b) Insert lock (CC) into panels (E) and (H), and bar (I).



- c) Join bar (D) and panel (C) to the assembled body with dowel (AA).



- d) Tighten bolt (BB) with lock (CC) in the pre-drilled holes.



Wood dowel

Cam lock bolt

Cam lock

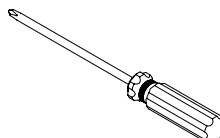
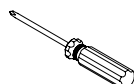
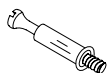
Small head

Large head

(AA) x 7

(BB) x 5

(CC) x 5

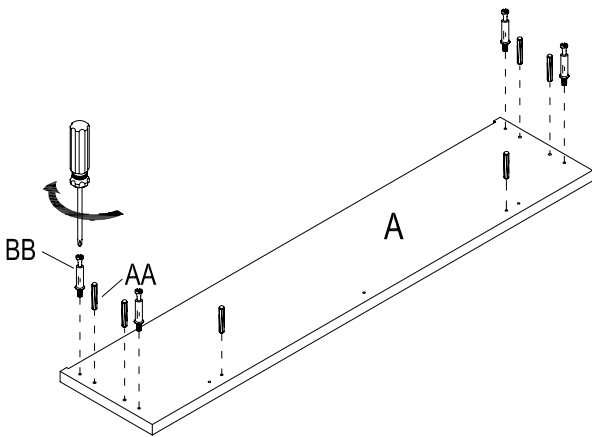




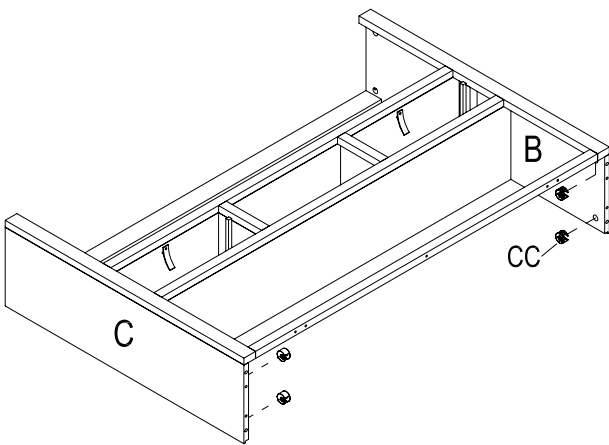
# Assembly (continued)

## 5 Attaching hutch top panel

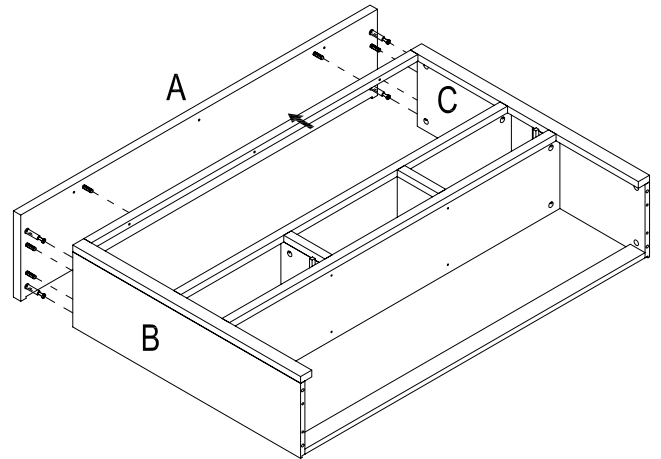
- a) Install dowel (AA) and bolt (BB) into panel (A).



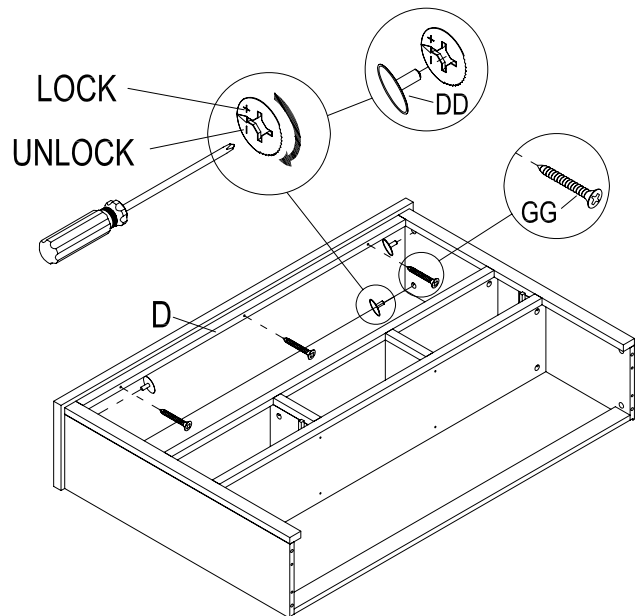
- b) Insert lock (CC) into panels (B) and (C).



- c) Join panel (A) to the assembled body with dowel (AA).



- d) Tighten bolt (BB) with lock (CC) in the pre-drilled holes.



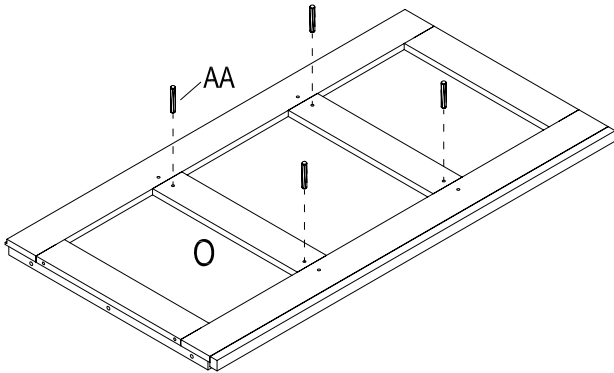
- e) Tighten bar (D) with screw (GG).  
Cover the cam holes with the cover (DD).

Wood dowel (AA) x 6	Cam lock bolt (BB) x 4	Cam lock (CC) x 4	Long plastic cover (DD) x 4	1 in. Flat head screw (GG) x 3	Small head	Large head

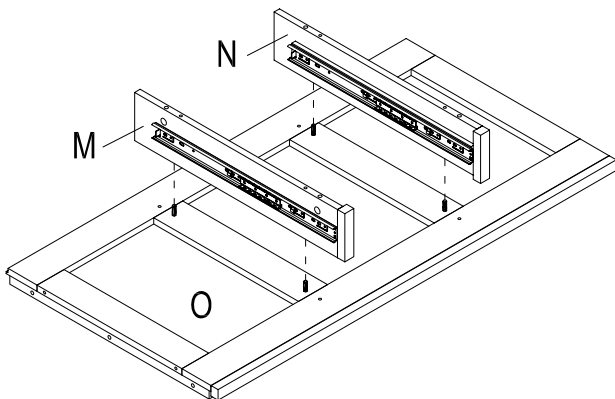
## Assembly (continued)

### 6 Attaching the bottom partition to the bottom fixed panel

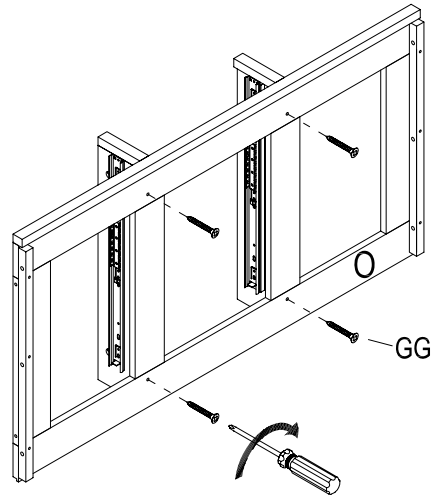
- a) Install dowel (AA) into panel (O).



- b) Join partitions (M) and (N) to the panel (O).



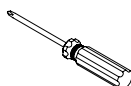
- c) Tighten panel (O) with screw (GG).



Wood dowel    1 in. Flat head screw    Small head

(AA) x 4

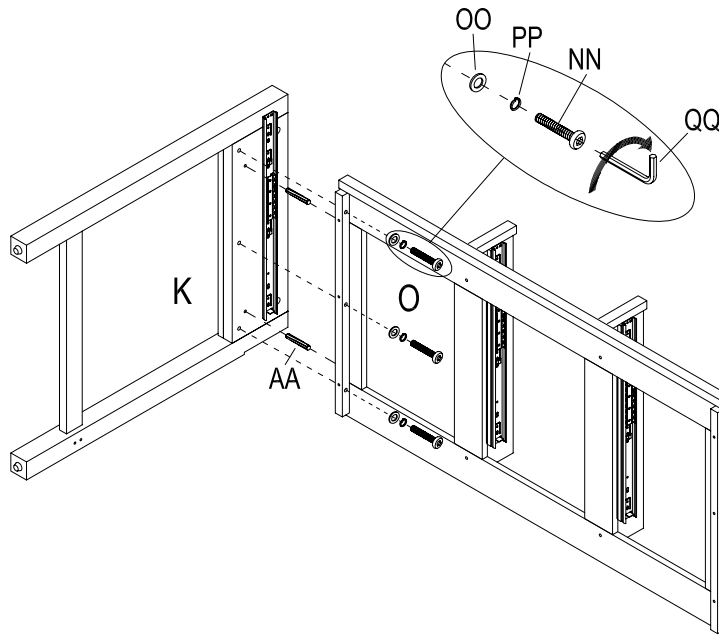
(GG) x 4



## Assembly (continued)

### 7 Attaching the bottom left side panel

- a) Join panel (O) to the panel (K) with dowel (AA).



- b) Attach panel (O) with washer (OO),spring washer (PP),and bolt (NN),Turn and tighten bolt (NN) with wrench (QQ).

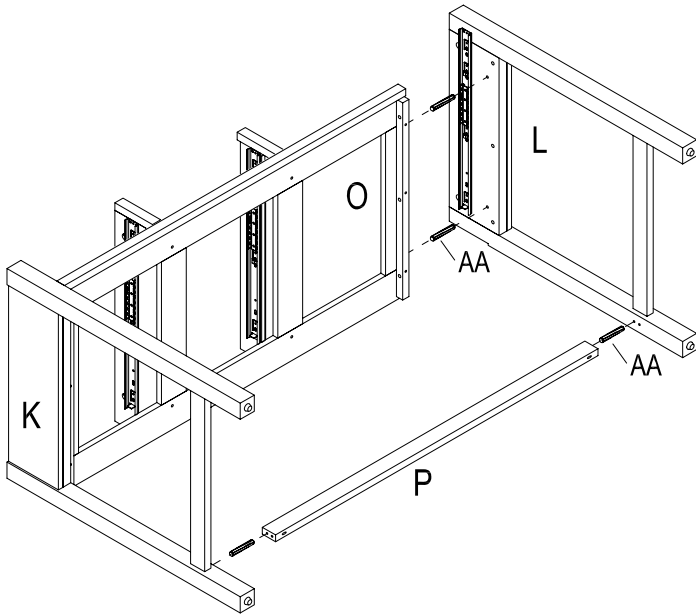
---

Wood dowel	Bolt	Washer	Spring washer	Allen wrench
(AA) x 2	(NN) x 3	(OO) x 3	(PP) x 3	(QQ) x 1

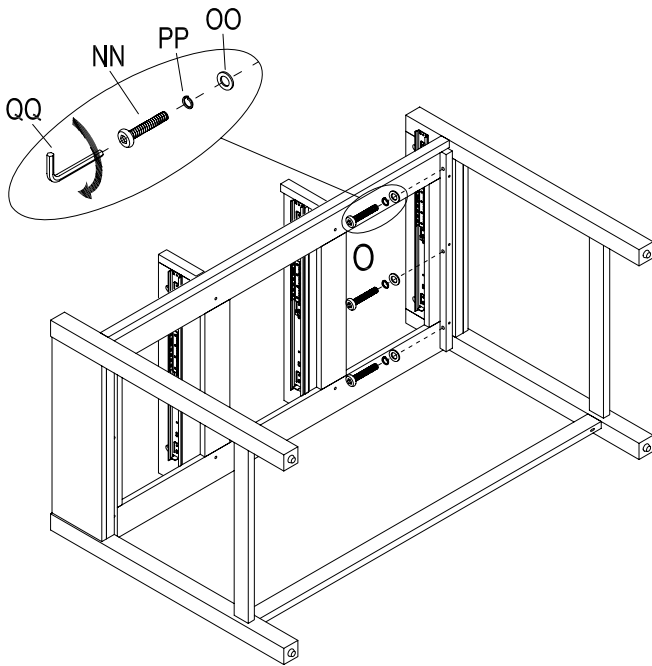
# Assembly (continued)

## 8 Attaching the bottom right side panel and bottom crossbar

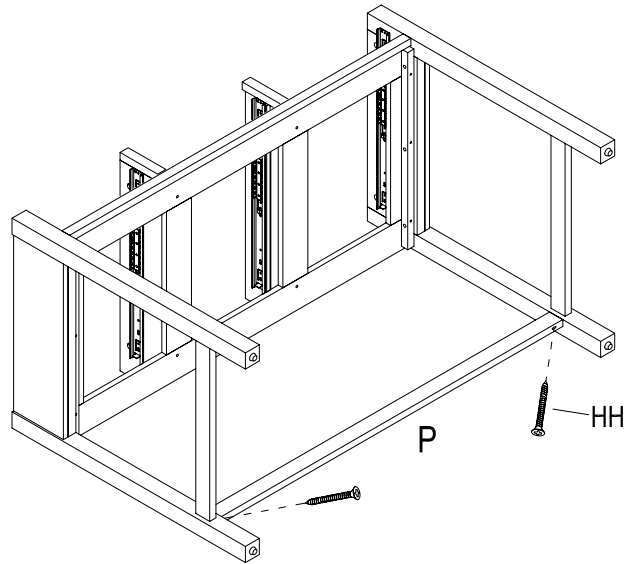
- a) Join bar (P) and panel (L) to the panels (O) and (K) with dowel (AA).



- b) Attach panel (O) with washer (OO), spring washer (PP) and bolt (NN), Turn and tighten bolt (NN) with wrench (QQ).



- c) Tighten bar (P) with screw (HH).

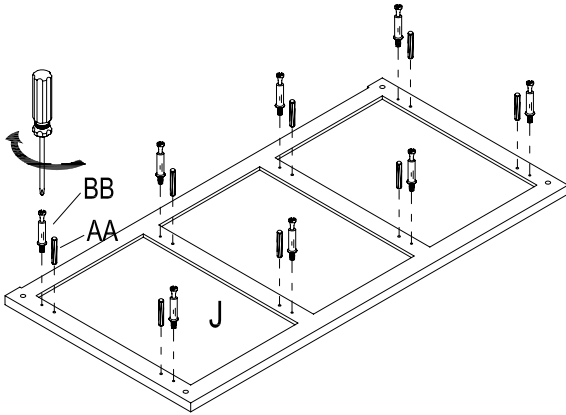


Wood dowel	Bolt	Washer	Spring washer	Allen wrench	1-1/2 in. Flat head screw	Small head	Large head
(AA) x 4	(NN) x 3	(OO) x 3	(PP) x 3	(QQ) x 1	(HH) x 2		

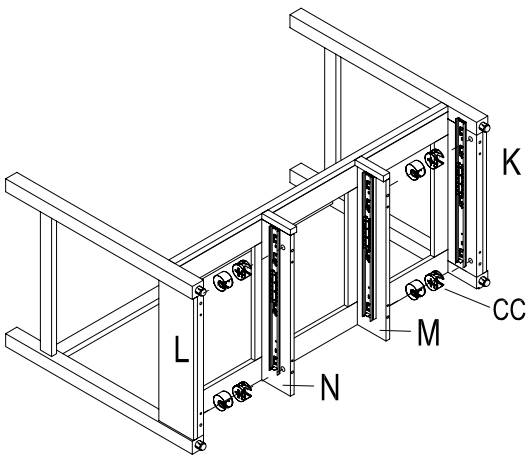
# Assembly (continued)

## 9 Attaching the desk face panel

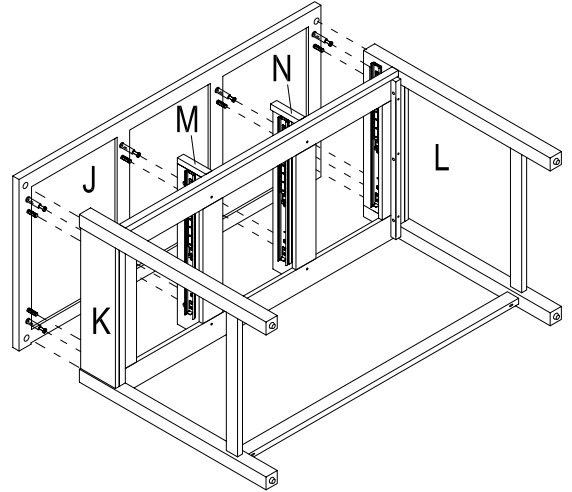
- a) Install dowels (AA) and bolt (BB) into panel (J).



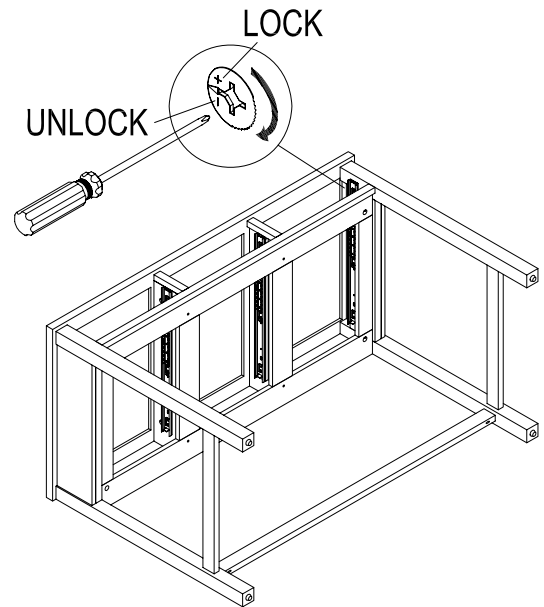
- b) Insert lock (CC) into panels (K) and (L), and partitions (M) and (N).



- c) Join panel (J) to the assembled body with dowel (AA).



- d) Tighten bolt (BB) with lock (CC) in the pre-drilled holes.



Wood dowel

Cam lock bolt

Cam lock

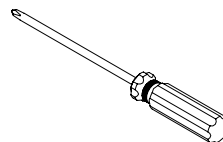
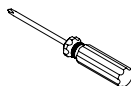
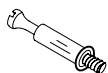
Small head

Large head

(AA) x 8

(BB) x 8

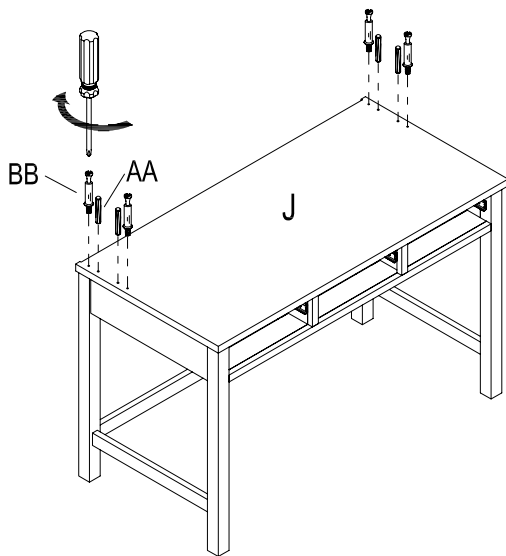
(CC) x 8



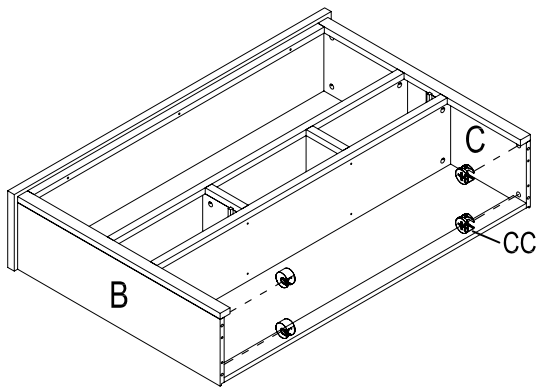
# Assembly (continued)

## 10 Attaching the hutch

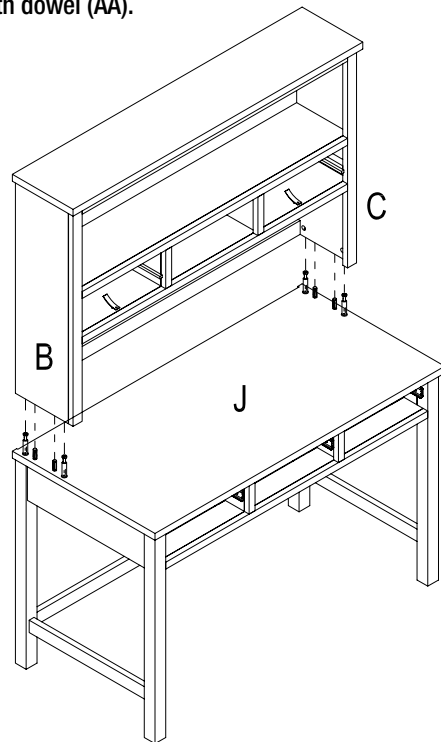
- a) Install dowel (AA) and bolt (BB) into panel (J).



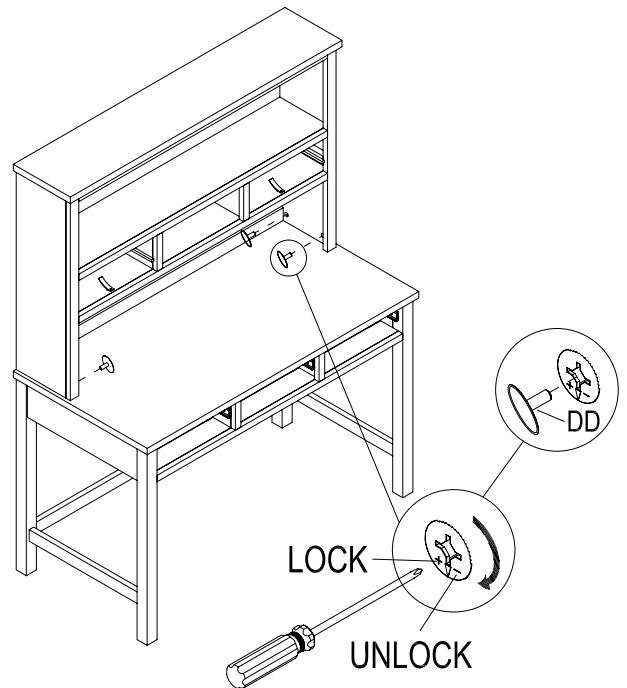
- b) Insert lock (CC) into panels (B) and (C).



- c) Join panels (B) and (C) to the assembled body with dowel (AA).



- d) Tighten bolt (BB) with lock (CC) in the pre-drilled holes.



Wood dowel

Cam lock bolt

Cam lock

Long plastic cover

Small head

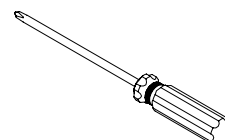
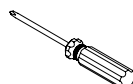
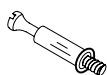
Large head

(AA) x 4

(BB) x 4

(CC) x 4

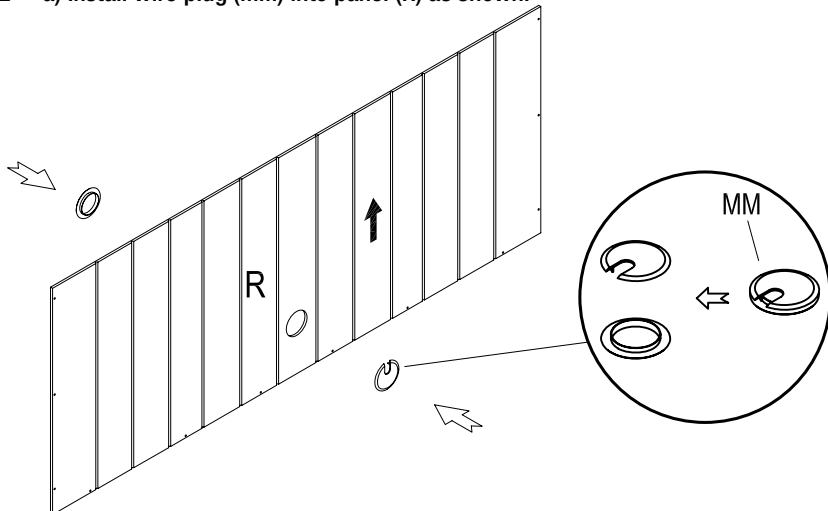
(DD) x 4



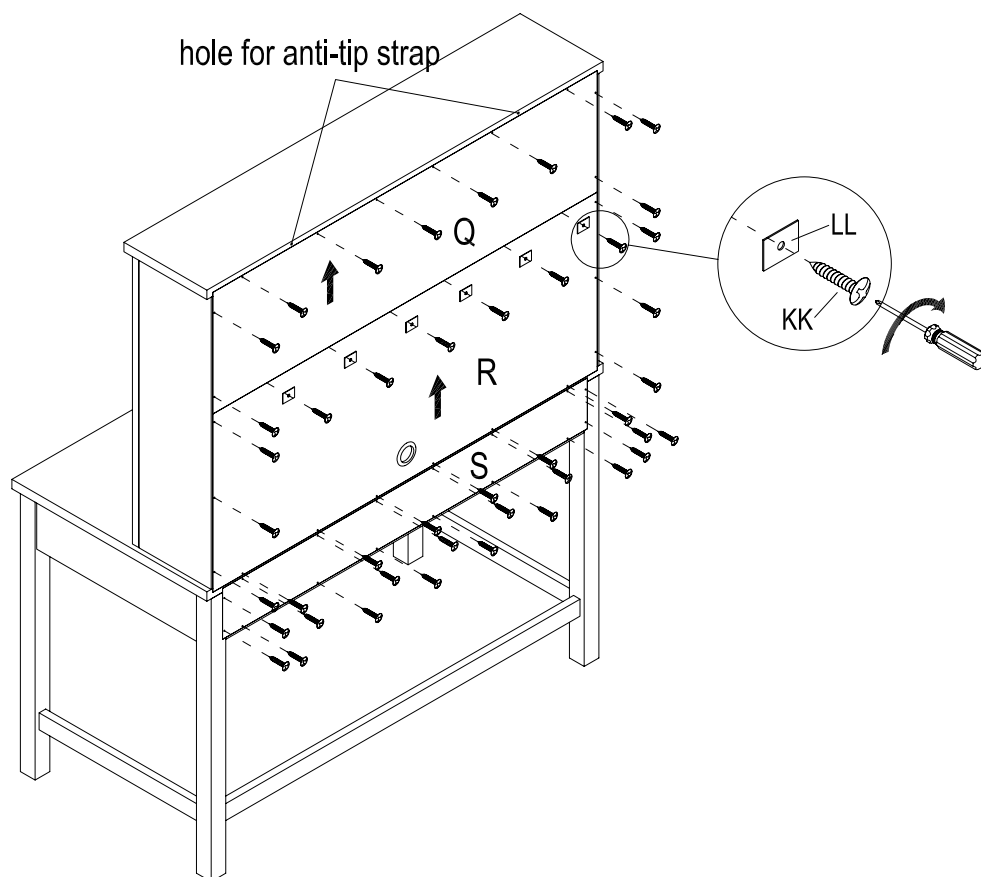
# Assembly (continued)

## 11 Attaching the back panel

- a) Install wire plug (MM) into panel (R) as shown.



- b) Tighten panels (Q),(R) and (S) to the assembled body with screw (KK) and metal plates (LL) as shown.

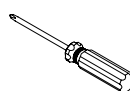


5/8 in. Round head  
screw  
(KK) x 44

Wire plug  
(MM) x 1

Metal plate  
(LL) x 6

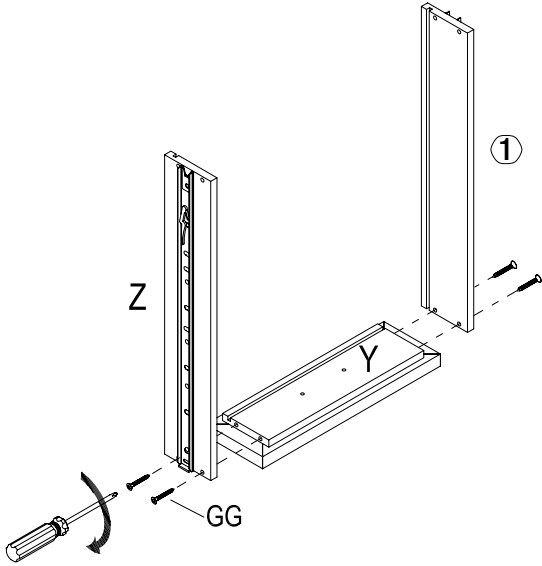
Small head



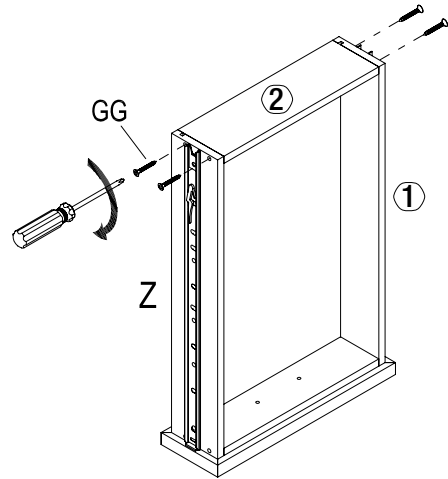
# Assembly (continued)

## 12 Assembling the large drawer

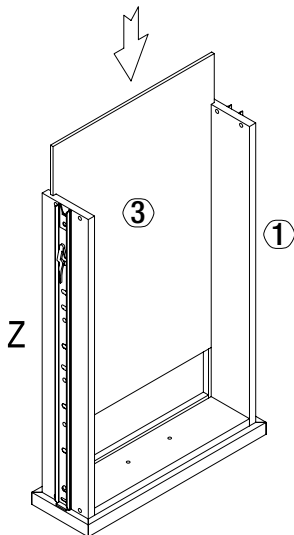
- a) Tighten panels (Z) and (1) to panel (Y) with screw (GG).



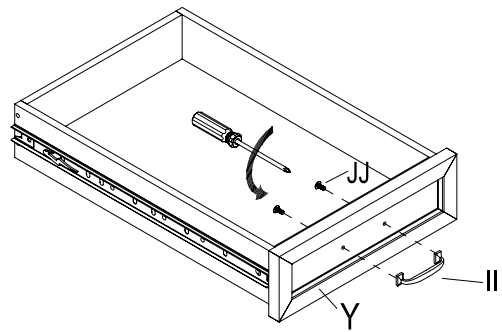
- c) Tighten panel (2) to the assembled body with screw (GG).



- b) Slide panel (3) into the grooves on panels (Z) and (1).



- d) Tighten handle (II) to panel (Y) with bolt (JJ).

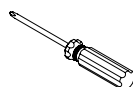
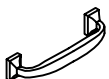


Handle      Handle bolt      1 in. Flat head screw      Small head

(II) x 3

(JJ) x 6

(GG) x 24

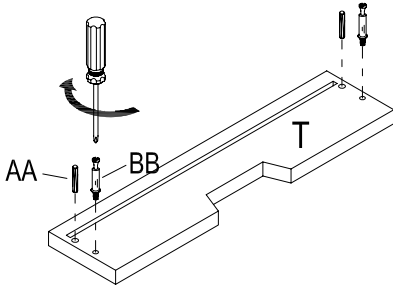




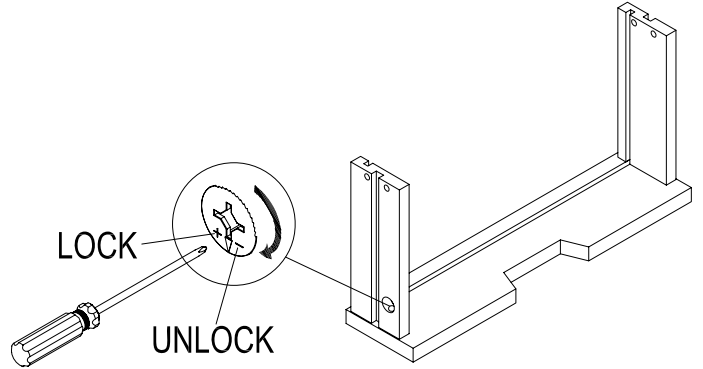
# Assembly (continued)

## 13 Assembling the small drawer

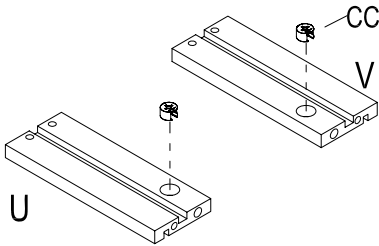
- a) Install dowel (AA) and bolt (BB) into panel (T).



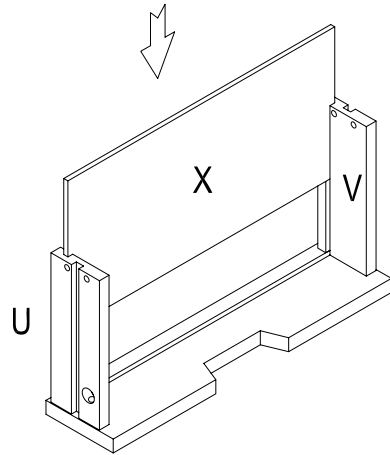
- d) Tighten bolt (BB) with lock (CC) in the pre-drilled holes.



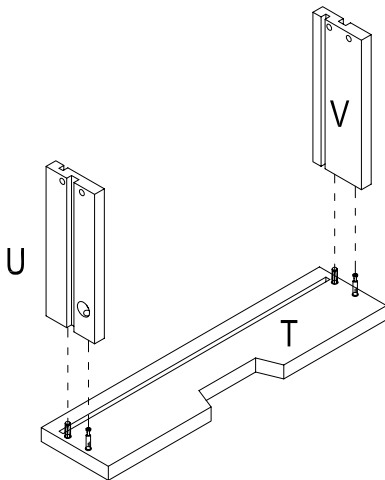
- b) Insert lock (CC) into panels (U) and (V).



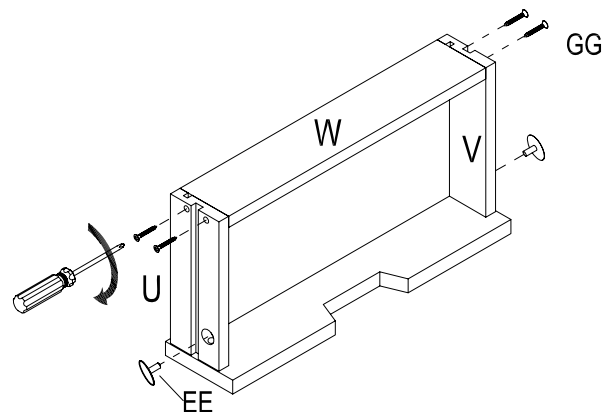
- e) Slide panel (X) into the grooves on panels (U) and (V).



- c) Join panels (U) and (V) to panel (T) with dowel (AA).



- f) Tighten panel (W) to the assembled body with screw (GG).



- g) Cover the cam holes with the cover (EE).

Wood dowel

Cam lock bolt

Cam lock

Short plastic cover

1 in. Flat head screw

Small head

Large head

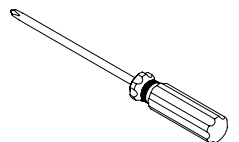
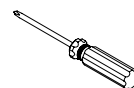
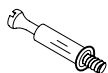
(AA) x 4

(BB) x 4

(CC) x 4

(EE) x 4

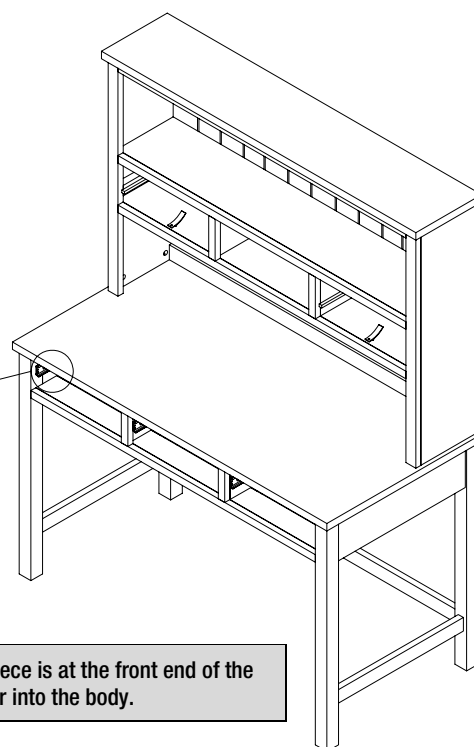
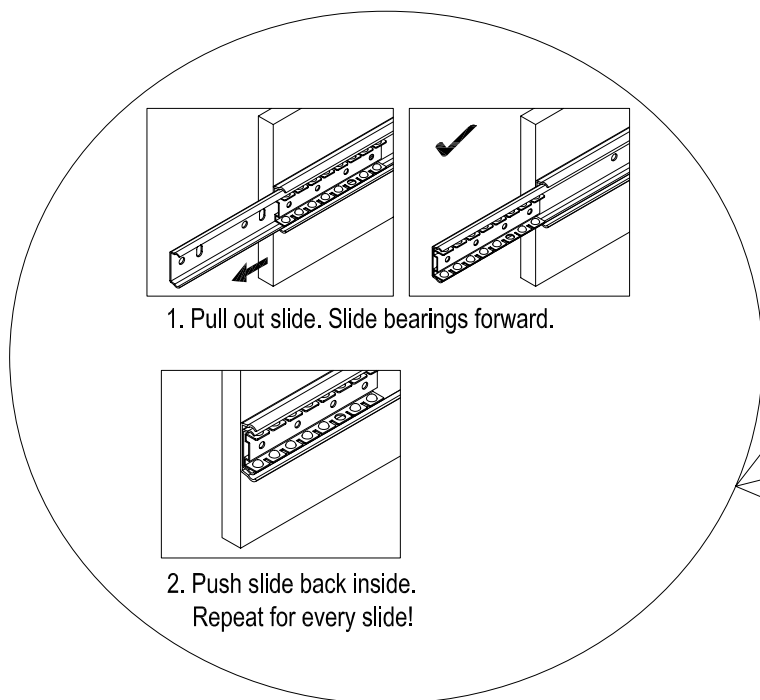
(GG) x 8




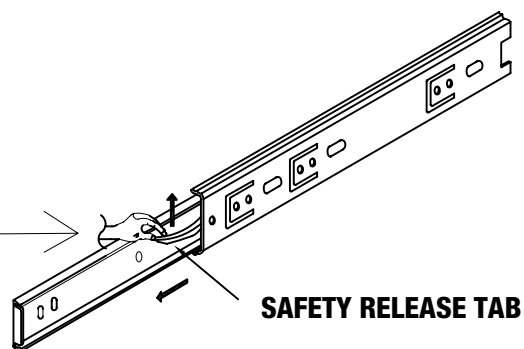
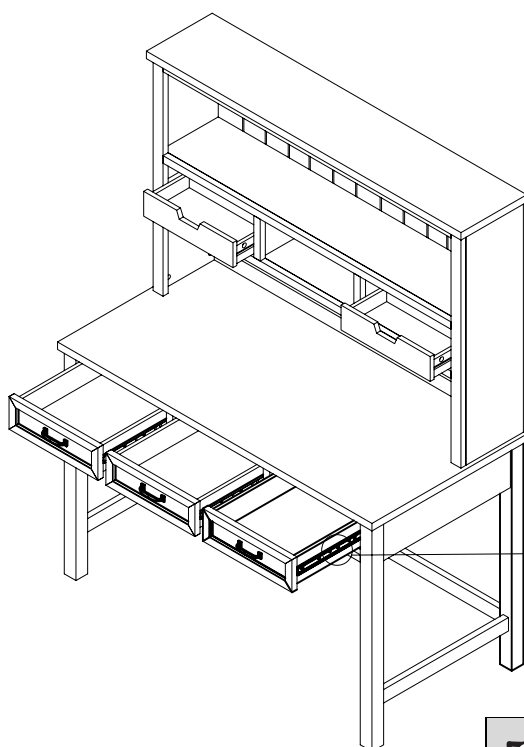
## Assembly (continued)


# 14 Inserting the drawer

- Insert the drawer into the assembled body as shown.



 **NOTE:** Make sure the slide piece is at the front end of the glide when installing the drawer into the body.

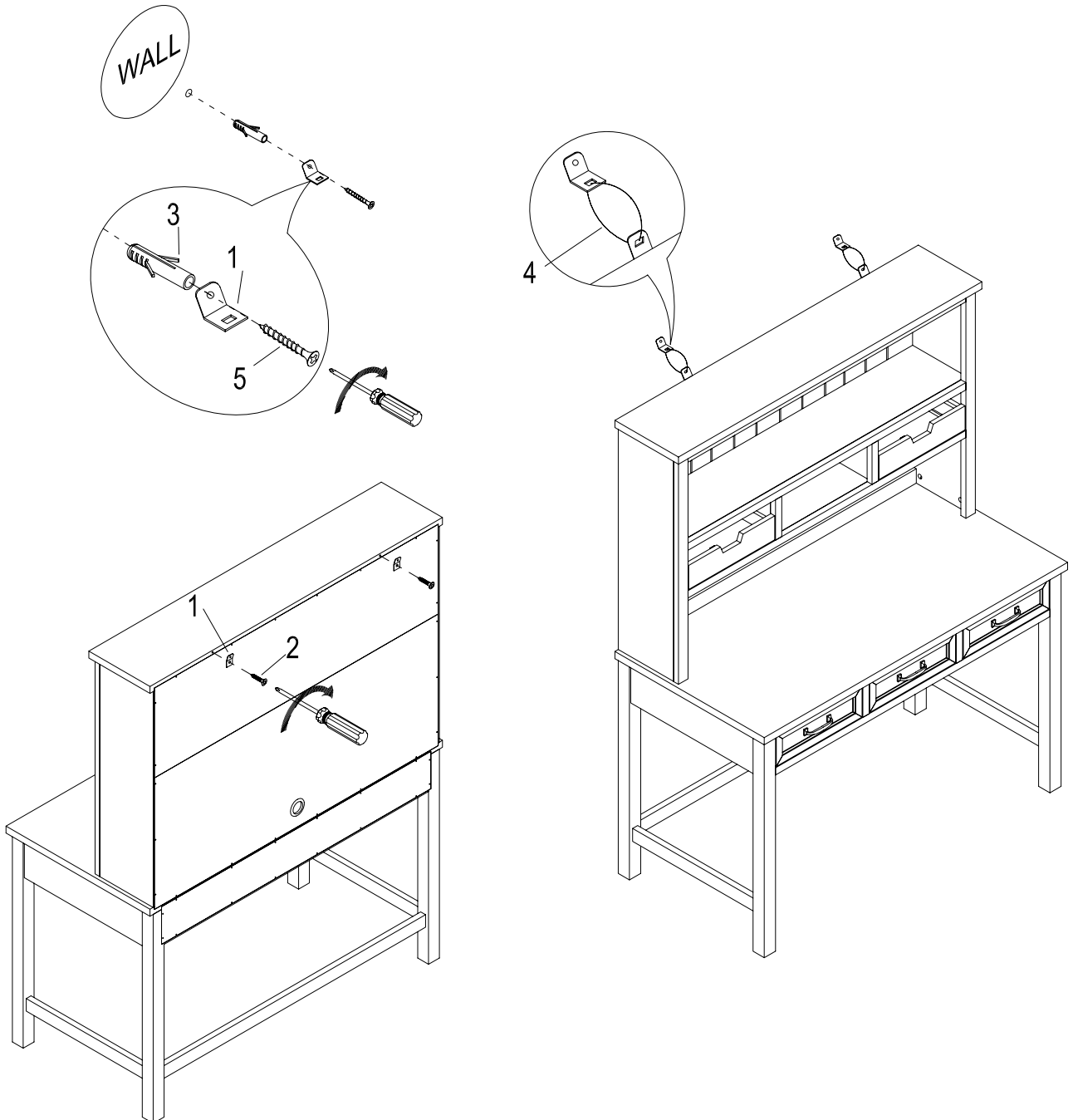







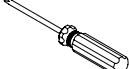
 **NOTE:** When removing the drawer, tip-up the safety release tab to remove the drawer from the body.

# Assembly (continued)

## 15 Finalizing the assembly

- Install the anti-tipping hardware as shown.



Rectangle metal plate (1) x 4	1/2 in. Flat head screw (2) x 2	Plastic anchor (3) x 2	Plastic band (4) x 2	1-1/2 in. Flat head screw (5) x 2	Small head
					
					RR

HOME  
DECORATORS  
COLLECTION®

Questions, problems, missing parts?  
Before returning to the store, call Home Decorators Collection Customer Service.  
8 a.m. – 7 p.m., EST, Monday – Friday, 9 a.m. – 6 p.m., EST, Saturday

**1-800-998-7021**

**[HOMEDEPOT.COM/HOMEDECORATORS](https://www.homedepot.com/homedecorators)**

Retain this manual for future use.